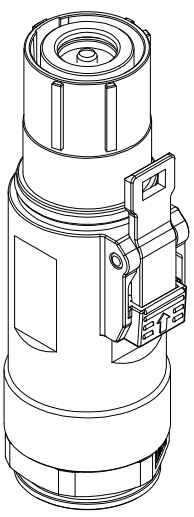




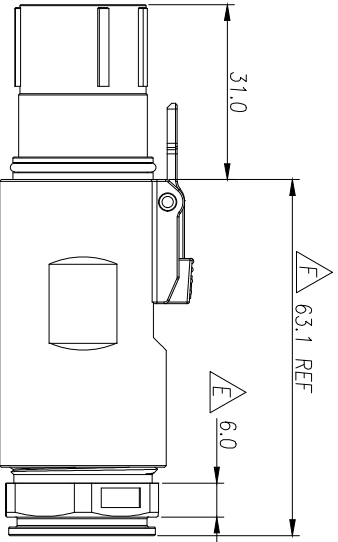
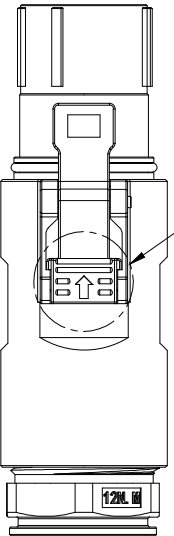
**THE DATASHEET OF  
PL18W-301-70**



REVISIONS						
REV	ZONE	ECO	DESCRIPTION	DATE	BY	APPR
A	---	---	Add P/N List	06/20/14	RW	EC
E	---	---	Rear nut increase 1mm;reduced inner diameter	09/08/15	RW	GX
F	---	---	Change back shell	09/29/16	RW	TS
G	---	---	Add rtdng current	08/23/18	Fred	JL



按键颜色见“订购信息”  
The color of press key see “Ordering Information”



防触摸塑料盖  
Touch Proof Pin

P/N	Model NO.	Accepted Wire OD
AC-HA000815	PL18X-301-35	14.5±0.5
AC-HA000816	PL18Y-301-35	
AC-HA000817	PL18U-301-35	
AC-HA000818	PL18V-301-35	
AC-HA000819	PL18W-301-35	
AC-HA001283	PL18T-301-35	
AC-HA000820	PL18X-301-50	
AC-HA000821	PL18Y-301-50	
AC-HA000822	PL18U-301-50	
AC-HA000823	PL18V-301-50	
AC-HA000824	PL18W-301-50	17.0±0.5
AC-HA001284	PL18T-301-50	
AC-HA000825	PL18X-301-70	
AC-HA000826	PL18Y-301-70	
AC-HA000827	PL18U-301-70	
AC-HA000828	PL18V-301-70	
AC-HA000829	PL18W-301-70	
AC-HA001285	PL18T-301-70	

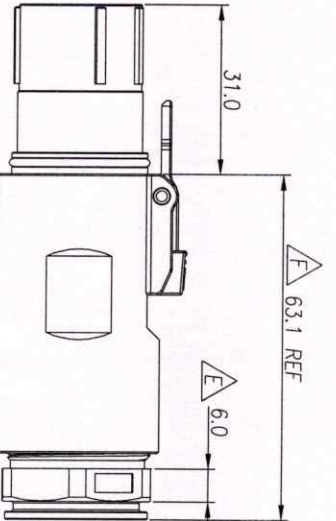
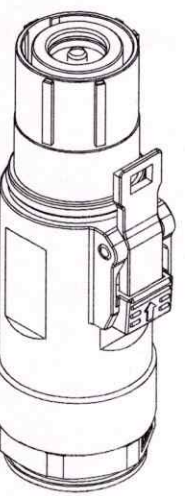
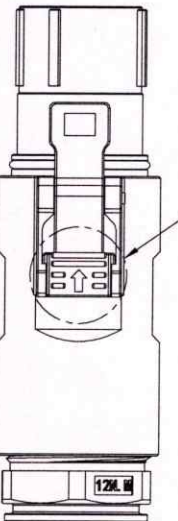
P/N	Model NO.	Accepted Wire OD
AC-HA000830	PL18X-300-35	14.5±0.5
AC-HA000831	PL18Y-300-35	
AC-HA000832	PL18U-300-35	
AC-HA000833	PL18V-300-35	
AC-HA000834	PL18W-300-35	
AC-HA001286	PL18T-300-35	
AC-HA000835	PL18X-300-50	
AC-HA000836	PL18Y-300-50	
AC-HA000837	PL18U-300-50	
AC-HA000838	PL18V-300-50	
AC-HA000839	PL18W-300-50	17.0±0.5
AC-HA001287	PL18T-300-50	
AC-HA000840	PL18X-300-70	
AC-HA000841	PL18Y-300-70	
AC-HA000842	PL18U-300-70	
AC-HA000843	PL18V-300-70	
AC-HA000844	PL18W-300-70	
AC-HA001288	PL18T-300-70	

<b>AMPHENOL</b>		<b>Amphenol Technical Products International GZ</b>	
<b>TP</b>		第三角投影 THIRD ANGLE PROJECTION	
签名 SIGNATURE	日期 DATE	1 of 1	A3
制图 DRAWN	08/23/18	UNLESS OTHERWISE SPECIFIED	
审核 CHECKED		1) All dimensions are in metric(mm).	
批准 APPROVAL		2) Tolerances are as follows:	
		0 Pl. DEC ±1.00	
		1 Pl. DEC ±0.50	
		2 Pl. DEC ±0.20	
		角度 ±1°	
PART NAME		比例 SCALE	
PowerLok 10mm IPDS Plug Assy			
DWG NOS		CUST PART #:	
PL18-300		N/A	
CUST PART #:		CUST REV.	
		-	

3 4 5 6 7 8

REV ZONE	ECO	DESCRIPTION	DATE	BY	APPR
A	--	ECO			
E	--	Add P/N List	06/20/14	RW	EC
F	--	Rear nut increase 1mm, reduced inner diameter	09/08/15	RW	GX
G	--	Change back shell	09/29/16	RW	TS
		Add rating current	08/23/18	Fred	JL

按键颜色见“订购信息”  
The color of press key see “Ordering Information”



防触摸塑料盖  
Touch Proof Pin

P/N	Model NO.	Accepted Wire OD
AC-HA000815	PL18X-301-35	
AC-HA000816	PL18Y-301-35	
AC-HA000817	PL18U-301-35	
AC-HA000818	PL18V-301-35	14.5±0.5
AC-HA000819	PL18W-301-35	
AC-HA001283	PL18T-301-35	
AC-HA000820	PL18X-301-50	
AC-HA000821	PL18Y-301-50	
AC-HA000822	PL18U-301-50	
AC-HA000823	PL18V-301-50	17.0±0.5
AC-HA000824	PL18W-301-50	
AC-HA001284	PL18T-301-50	
AC-HA000825	PL18X-301-70	
AC-HA000826	PL18Y-301-70	
AC-HA000827	PL18U-301-70	
AC-HA000828	PL18V-301-70	19.5±0.5
AC-HA000829	PL18W-301-70	
AC-HA001285	PL18T-301-70	

P/N	Model NO.	Accepted Wire OD
AC-HA000830	PL18X-300-35	
AC-HA000831	PL18Y-300-35	
AC-HA000832	PL18U-300-35	
AC-HA000833	PL18V-300-35	14.5±0.5
AC-HA000834	PL18W-300-35	
AC-HA001286	PL18T-300-35	
AC-HA000835	PL18X-300-50	
AC-HA000836	PL18Y-300-50	
AC-HA000837	PL18U-300-50	
AC-HA000838	PL18V-300-50	17.0±0.5
AC-HA000839	PL18W-300-50	
AC-HA001287	PL18T-300-50	
AC-HA000840	PL18X-300-70	
AC-HA000841	PL18Y-300-70	
AC-HA000842	PL18U-300-70	
AC-HA000843	PL18V-300-70	19.5±0.5
AC-HA000844	PL18W-300-70	
AC-HA001288	PL18T-300-70	

**REGISTERED COPY**  
**42-80-8102**  
**Amphenol IDL**



Amphenol Technical Products International GZ

签名 SIGNATURE		日期 DATE		第三角投影 THIRD ANGLE PROJECTION		页次 REV.		比例 SCALE		PART NAME	
Fred		08/23/18		1 or 1		A3		G		PowerLok 10mm IPDS Plug Assy	
制图 DRAWN		日期 DATE		第三角投影 THIRD ANGLE PROJECTION		页次 REV.		比例 SCALE		PART NAME	
Stepen		8-23		1 or 1		A3		G		PowerLok 10mm IPDS Plug Assy	
审核 CHECKED		日期 DATE		第三角投影 THIRD ANGLE PROJECTION		页次 REV.		比例 SCALE		PART NAME	
Stepen		8-23		1 or 1		A3		G		PowerLok 10mm IPDS Plug Assy	
批准 APPROVED		日期 DATE		第三角投影 THIRD ANGLE PROJECTION		页次 REV.		比例 SCALE		PART NAME	
Stepen		8-23		1 or 1		A3		G		PowerLok 10mm IPDS Plug Assy	
DWG NO.		DATE		THIRD ANGLE PROJECTION		REV.		SCALE		PART NAME	
PL18-300		08/23/18		1 or 1		A3		G		PowerLok 10mm IPDS Plug Assy	
CUST PART #		DATE		THIRD ANGLE PROJECTION		REV.		SCALE		PART NAME	
N/A		08/23/18		1 or 1		A3		G		PowerLok 10mm IPDS Plug Assy	
CUST REV.		DATE		THIRD ANGLE PROJECTION		REV.		SCALE		PART NAME	
										PowerLok 10mm IPDS Plug Assy	



1) All dimensions are in metric (mm).  
2) Tolerances are as follows:  
0 PL DEC ±1.00  
1 PL DEC ±0.50  
2 PL DEC ±0.20

Angles ±1°

CUST REV. --

## Looking for pricing, stock, or lifecycle information?

Click below to explore more details on WIN SOURCE:

-  [View PL18W-301-70 on WIN SOURCE](#)
-  [Amphenol Information](#)

## Optimize Your Supply Chain with WIN SOURCE Solutions

-  Global Sourcing Solution
-  Obsolete Management
-  Cost Control Management
-  Shortage Management
-  Alternative Solution
-  Excess Inventory Management