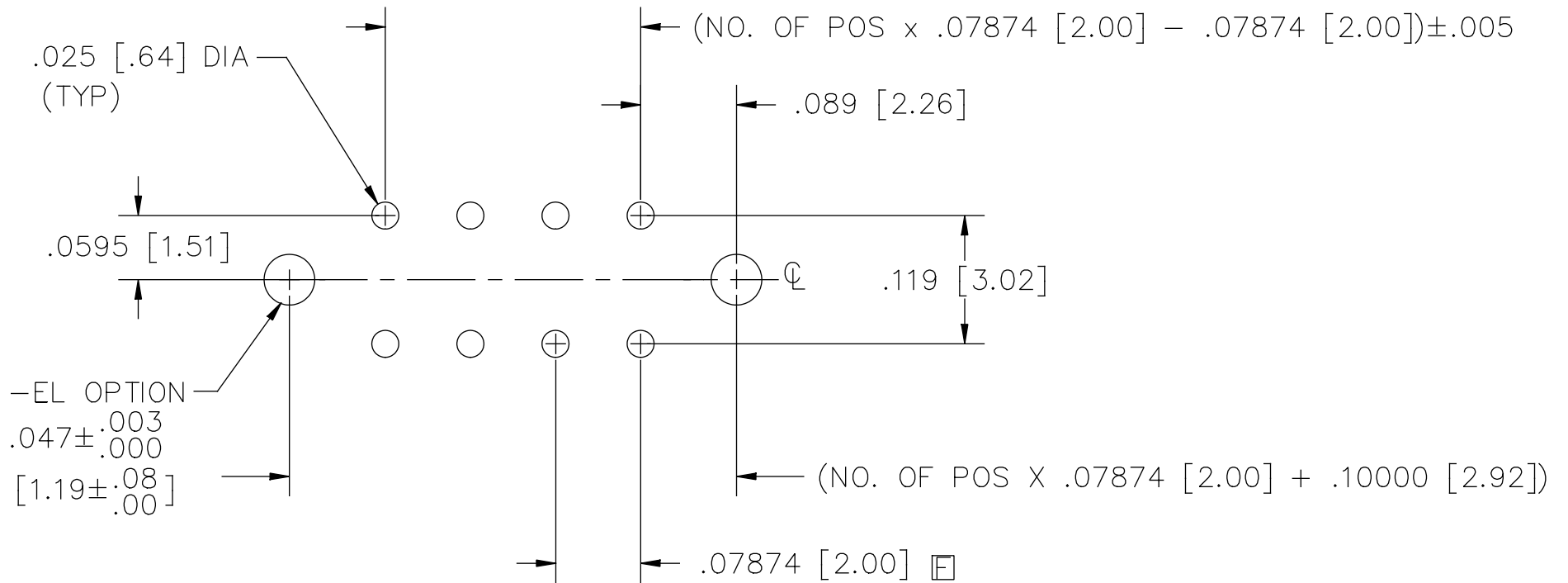




# RECOMMENDED P.C. BOARD LAYOUT FOR CLT THRU HOLE (DOUBLE)

REV. F



MISC\MKTG\FOOTPRINT  
 CLT-THD

**samtec**

810 PROGRESS BLVD. NEW ALBANY, INDIANA 47150  
 PHONE (812) 944-6733 P.O. BOX 1147

PLOT SCALE: 1 = .1

## Looking for pricing, stock, or lifecycle information?

Click below to explore more details on WIN SOURCE:

 [View CLT-105-01-G-D on WIN SOURCE](#)

 [Samtec Inc. Information](#)

## Optimize Your Supply Chain with WIN SOURCE Solutions

-  Global Sourcing Solution
-  Obsolete Management
-  Cost Control Management
-  Shortage Management
-  Alternative Solution
-  Excess Inventory Management