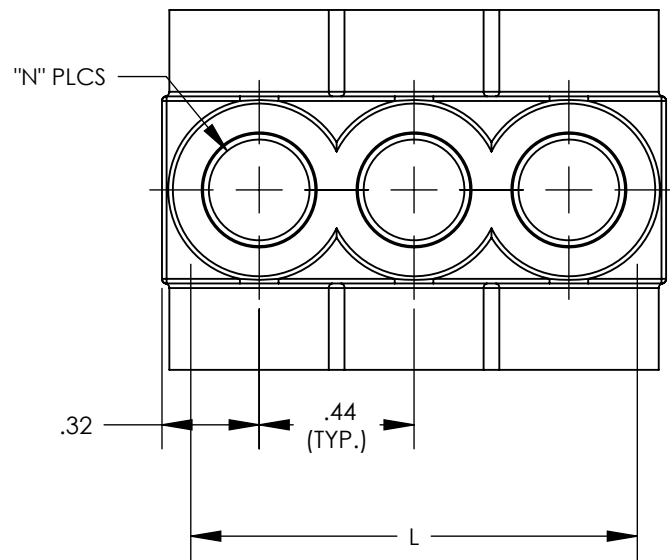




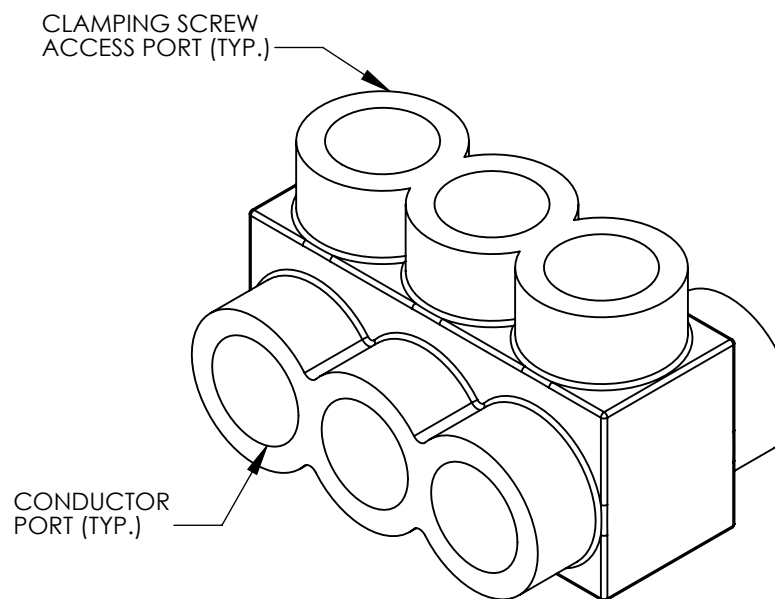
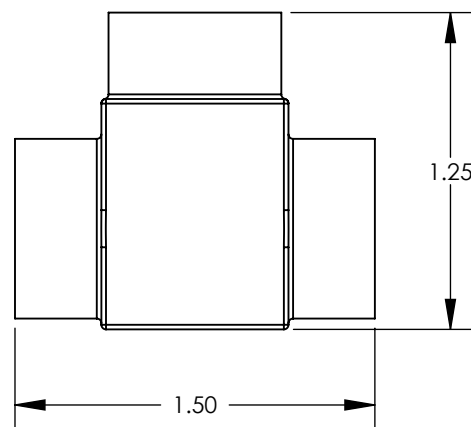
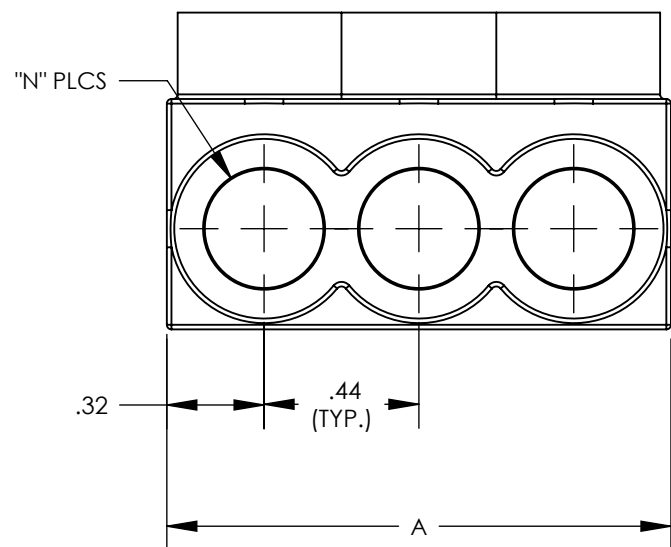
**THE DATASHEET OF  
PCSB4-6-6Y**



PANDUIT PART NUMBER	CONDUCTOR RATING	HEX KEY	SCREW QUANTITY	CAP (SCREW PORT) QUANTITY	CAP (WIRE PORT) QUANTITY	A	L	N	TIGHTENING TORQUE
PCSB4-2-12Y	#4 - #14 STR #10 - #14 SOL	1/8"	2	2	4	1.08	0.83	2	#10 - #14 = 45 IN-LBS #4 - #8 = 50 IN-LBS
PCSB4-3-12Y			3	3	6	1.518	1.268	3	
PCSB4-4-6Y			4	4	8	1.956	1.706	4	
PCSB4-5-6Y			5	5	10	2.394	2.144	5	
PCSB4-6-6Y			6	6	12	2.832	2.582	6	
PCSB4-8-4Y			8	8	16	3.708	3.458	8	
PCSB4-10-4Y			10	10	20	4.584	4.334	10	
PCSB4-12-3Y			12	12	24	5.46	5.21	12	
PCSB4-14-2Y			14	14	28	6.336	6.086	14	



THREE PORT CONNECTOR BLOCK SHOWN WITH PLASTIC CLOSURE PLUGS REMOVED. SEE TABLE FOR DIMENSIONS OF PARTS WITH ADDITIONAL PORTS



NOTES:

- UL486A-UL486B LISTED, DUAL RATED CU9AL FOR ALUMINUM OR COPPER CONDUCTORS. MEETS OR EXCEEDS ANSI C119.4
- SEE TABLE FOR WIRE RANGE.
- STRIP LENGTH: .56 +.06/-0
- SEE PACKAGE LABEL FOR TIGHTENING TORQUE SPECIFICATIONS.
- VOLTAGE RATING: 600 V. MAX. BUILDING WIRE, 1000 V. MAX. IN SIGNS & FIXTURES.
- TEMPERATURE RATING: 90 °C (CU9AL).
- CONNECTOR BLOCK BODY ARE MADE FROM ALUMINUM. CONDUCTOR PORTS IN CONNECTOR BLOCK ARE PREFILLED WITH AN OXIDE-INHIBITING COMPOUND.
- CONNECTOR TO INCLUDE ZINC PLATED STEEL CLAMPING SCREWS FOR EACH CONDUCTOR PORT.
- INSULATION MATERIAL IS CLEAR PVC.
- CLAMPING SCREW ACCESS PORTS AND ALL WIRE ENTRY PORTS ARE PROVIDED WITH REMOVABLE PLASTIC CLOSURE PLUGS.
- ALL DIMENSIONS SHOWN ARE NOMINAL.
- ONLY ONE CONDUCTOR PER PORT ALLOWED.
- PACKAGE QTY: -12 = 12 PCS.  
-6 = 6 PCS.  
-4 = 4 PCS.
- THIS PART IS RoHS COMPLIANT

REV	DATE	BY	CHK	APR	DESCRIPTION	ECN	TITLE	ITEM REVISION NAME	DATASET FILE NAME	MATERIAL	DRAWING NUMBER	SHEET 1 OF 1	SIZE
							MULTI-TAP INSULATED CONNECTORS PCSB4 SERIES CUSTOMER DRAWING	N41573BB-C41573/07	C41573/07.SLDDRW	SEE NOTES	C41573		B
07	6/19	JHNU	TMR	RGB	REVISED WIRE RANGE FORMAT REVISED TIGHTENING TORQUE	048653							
06	1/16	JHNU	JHNU	RGB	REVISED DIM: .32 WAS .42, .44 WAS .67 REVISED A AND L DIM'S FOR ALL PART NUMBERS REVISED NOTE 2: .56 WAS .50 REVISED NOTE 8: ZINC PLATED STEEL WAS TIN PLATED ALUM. REVISED NOTE 4	N41573BB-C41573	UNLESS OTHERWISE SPECIFIED, DIMENSIONAL TOLERANCES ARE: IN [mm] .X ± .XXX ± .XX ± .02 ANGLES ±						
05	2/13	JHNU	JHNU	RGB	REVISED TITLE BLOCK	N41573BB-C41573	THIRD ANGLE PROJECTION						
							DRAWN BY MS	DATE 8/99	CHK RLS	SCALE NONE			

## Looking for pricing, stock, or lifecycle information?

Click below to explore more details on WIN SOURCE:

 [View PCSB4-6-6Y on WIN SOURCE](#)

 [Panduit Corp](#) Information

## Optimize Your Supply Chain with WIN SOURCE Solutions

-  Global Sourcing Solution
-  Obsolete Management
-  Cost Control Management
-  Shortage Management
-  Alternative Solution
-  Excess Inventory Management