




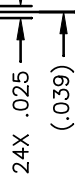
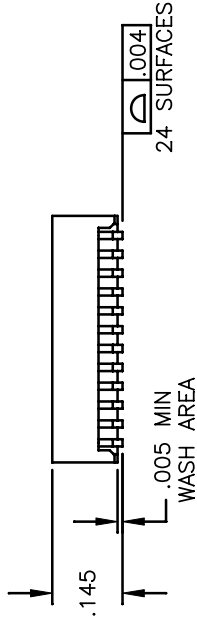
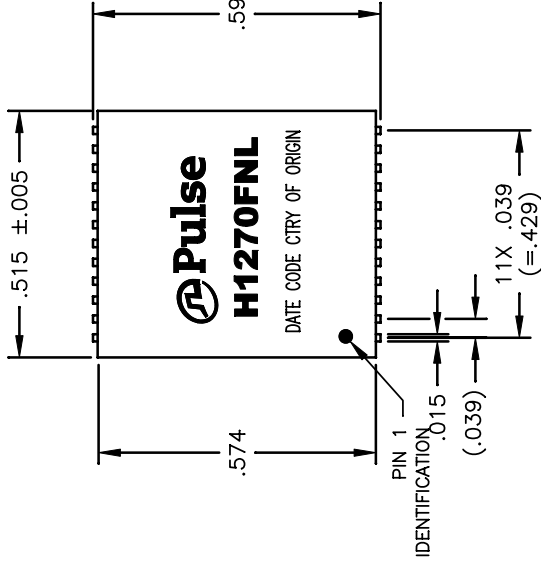
# THE DATASHEET OF H1270FNL



NOTES: UNLESS OTHERWISE SPECIFIED

1.
 

NOTICE:	THIS IS A RoHS COMPLIANT COMPONENT/PRODUCT. ALL ENGINEERING CHANGES MUST HAVE PRIOR APPROVAL BY THE DESIGN CENTER.
RoHS	
2. PLASTIC: THERMOSET PLASTIC MATERIAL WITH FLAMMABILITY RATING UL 94V-0 OR BETTER.
3. SOLDERABILITY: CONFORMS TO ANSI/J-STD-002, 245°C REFLOW PEAK TEMPERATURE PER IPC/EIA J-STD-003A
4. OPERATING TEMPERATURE: 0°C TO +70°C
5. STORAGE TEMPERATURE: -20°C TO +125°C
6. JEDEC MOISTURE: LEVEL 1.
7. DIMENSIONS ARE IN INCHES WITH THE FOLLOWING TOLERANCES:  
 .XX= ±.02  
 .XXX= ±.010
8. REVISION: MP1,MP2, ..... ARE PRELIMINARY.



SU

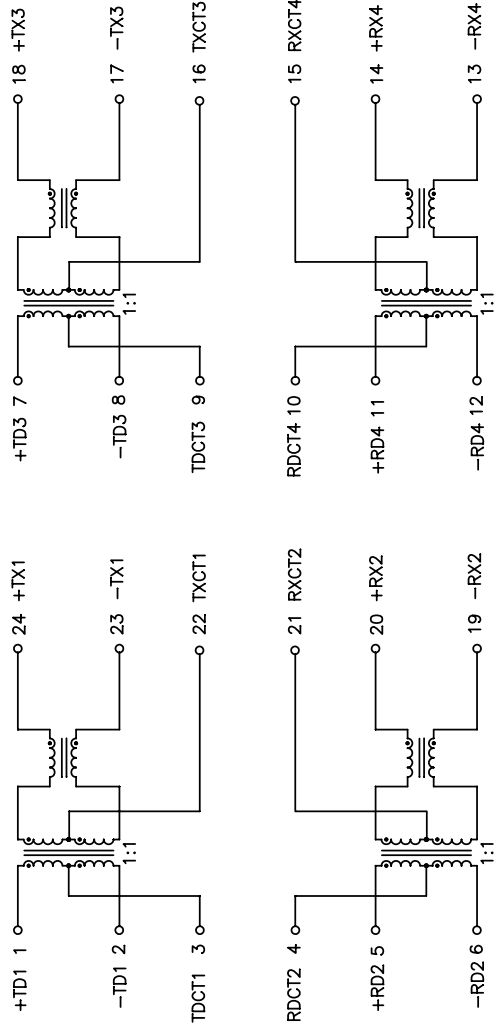
© Copyright, 2013. Pulse Electronics Corp. All rights reserved. Drawing specifications subject to change without notice. (08/07/13)

PULSE CONFIDENTIAL & PROPRIETARY	PRODUCT DESCRIPTION MDL,DUAL,100D,1:1,SM,TU	PS DRAWING PS-2760.001-A
	SHEET: 1	DWG. NO. H1270

ELECTRICAL CHARACTERISTICS

PARAMETER	
OPERATING TEMP	
URNS RATIO	
POLARITY	
INSERTION LOSS	100 KHz -1.2 dB M
RETURN LOSS, 100BT (Z OUT = 100 OHM ±15%)	.1-30 MHz -16 dB M
INDUCTANCE (OCL) (MEDIA SIDE, 0°C-70°C)	350 uH M
CROSSTALK, ADJACENT CHANNELS	1 MHz -50 dB M
	2 MHz -50 dB M
COMMON MODE REJECTION RATIO	
DC RESISTANCE, 1/2 WINDING	
DC RESISTANCE IMBALANCE	±.065 OHM
INPUT - OUTPUT ISOLATION	150 dB

NOTE: f IS FREQUENCY IN MHZ.



SCHEMATIC

© Copyright, 2013. Pulse Electronics Corp. All rights reserved. Drawing specifications subject to change without notice. (08/07/13)

PULSE CONFIDENTIAL & PROPRIETARY	PRODUCT DESCRIPTION	PS DRAWING	SHEET:	DWG. NO.
	MDL,DUAL,100D,1:1,SM,TU	PS-2760.001-A	2	H1270

## Looking for pricing, stock, or lifecycle information?

Click below to explore more details on WIN SOURCE:

 [View H1270FNL on WIN SOURCE](#)

 [Pulse Information](#)

## Optimize Your Supply Chain with WIN SOURCE Solutions

-  Global Sourcing Solution
-  Obsolete Management
-  Cost Control Management
-  Shortage Management
-  Alternative Solution
-  Excess Inventory Management