



**THE DATASHEET OF  
LPC18S50FET180E**





# LPC18S50/S30/S10

32-bit ARM Cortex-M3 flashless MCU with security features;  
up to 200 kB SRAM; Ethernet, two HS USB, LCD, EMC, AES

Rev. 1.3 — 10 January 2020

Product data sheet

## 1. General description

---

The LPC18S50/S30/S10 are ARM Cortex-M3 based microcontrollers with security features for embedded applications. The ARM Cortex-M3 is a next generation core that offers system enhancements such as low power consumption, enhanced debug features, and a high level of support block integration.

The LPC18S50/S30/S10 operate at CPU frequencies of up to 180 MHz. The ARM Cortex-M3 CPU incorporates a 3-stage pipeline and uses a Harvard architecture with separate local instruction and data buses as well as a third bus for peripherals. The ARM Cortex-M3 CPU also includes an internal prefetch unit that supports speculative branching.

The LPC18S50/S30/S10 include up to 200 kB of on-chip SRAM, security features with AES engine, a quad SPI Flash Interface (SPIFI), a State Configurable Timer/PWM (SCTimer/PWM) subsystem, two High-speed USB controllers, Ethernet, LCD, an external memory controller, and multiple digital and analog peripherals.

See [Section 17 “References”](#) for additional documentation.

## 2. Features and benefits

---

- Processor core
  - ◆ ARM Cortex-M3 processor, running at frequencies of up to 180 MHz.
  - ◆ ARM Cortex-M3 built-in Memory Protection Unit (MPU) supporting eight regions.
  - ◆ ARM Cortex-M3 built-in Nested Vectored Interrupt Controller (NVIC).
  - ◆ Non-maskable Interrupt (NMI) input.
  - ◆ JTAG and Serial Wire Debug, serial trace, eight breakpoints, and four watch points.
  - ◆ Enhanced Trace Module (ETM) and Enhanced Trace Buffer (ETB) support.
  - ◆ System tick timer.
- On-chip memory
  - ◆ 200 kB SRAM for code and data use.
  - ◆ Multiple SRAM blocks with separate bus access.
  - ◆ 64 kB ROM containing boot code and on-chip software drivers.
  - ◆ 64 bit One-Time Programmable (OTP) memory for general-purpose use.
  - ◆ Two banks (256 bit total) One-Time Programmable (OTP) memory for AES key storage One bank can store an encrypted key for decoding the boot image.
- AES engine for encryption and decryption of the boot image and data with DMA support and programmable via a ROM-based API.
- Clock generation unit



- ◆ Crystal oscillator with an operating range of 1 MHz to 25 MHz.
- ◆ 12 MHz internal RC oscillator trimmed to 1.5 % accuracy over temperature and voltage.
- ◆ Ultra-low power RTC crystal oscillator.
- ◆ Three PLLs allow CPU operation up to the maximum CPU rate without the need for a high-frequency crystal. The second PLL is dedicated to the High-speed USB, the third PLL can be used as audio PLL.
- ◆ Clock output.
- Configurable digital peripherals:
  - ◆ State Configurable Timer (SCTimer/PWM) subsystem on AHB.
  - ◆ Global Input Multiplexer Array (GIMA) allows to cross-connect multiple inputs and outputs to event driven peripherals like timers, SCTimer/PWM, and ADC0/1.
- Serial interfaces:
  - ◆ Quad SPI Flash Interface (SPIFI) with 1-, 2-, or 4-bit data at rates of up to 52 MB per second.
  - ◆ 10/100T Ethernet MAC with RMI and MII interfaces and DMA support for high throughput at low CPU load. Support for IEEE 1588 time stamping/advanced time stamping (IEEE 1588-2008 v2).
  - ◆ One High-speed USB 2.0 Host/Device/OTG interface with DMA support and on-chip high-speed PHY (USB0).
  - ◆ One High-speed USB 2.0 Host/Device interface with DMA support, on-chip full-speed PHY and ULPI interface to an external high-speed PHY (USB1).
  - ◆ USB interface electrical test software included in ROM USB stack.
  - ◆ Four 550 UARTs with DMA support: one UART with full modem interface; one UART with IrDA interface; three USARTs support UART synchronous mode and a smart card interface conforming to ISO7816 specification.
  - ◆ Up to two C\_CAN 2.0B controllers with one channel each. Use of C\_CAN controller excludes operation of all other peripherals connected to the same bus bridge See [Figure 1](#) and [Ref. 2](#).
  - ◆ Two SSP controllers with FIFO and multi-protocol support. Both SSPs with DMA support.
  - ◆ One Fast-mode Plus I<sup>2</sup>C-bus interface with monitor mode and with open-drain I/O pins conforming to the full I<sup>2</sup>C-bus specification. Supports data rates of up to 1 Mbit/s.
  - ◆ One standard I<sup>2</sup>C-bus interface with monitor mode and standard I/O pins.
  - ◆ Two I<sup>2</sup>S interfaces with DMA support, each with one input and one output.
- Digital peripherals:
  - ◆ External Memory Controller (EMC) supporting external SRAM, ROM, NOR flash, and SDRAM devices.
  - ◆ LCD controller with DMA support and a programmable display resolution of up to 1024 H × 768 V. Supports monochrome and color STN panels and TFT color panels; supports 1/2/4/8 bpp Color Look-Up Table (CLUT) and 16/24-bit direct pixel mapping.
  - ◆ Secure Digital Input Output (SD/MMC) card interface.
  - ◆ Eight-channel General-Purpose DMA controller can access all memories on the AHB and all DMA-capable AHB slaves.

- ◆ Up to 164 General-Purpose Input/Output (GPIO) pins with configurable pull-up/pull-down resistors.
- ◆ GPIO registers are located on the AHB for fast access. GPIO ports have DMA support.
- ◆ Up to eight GPIO pins can be selected from all GPIO pins as edge and level sensitive interrupt sources.
- ◆ Two GPIO group interrupt modules enable an interrupt based on a programmable pattern of input states of a group of GPIO pins.
- ◆ Four general-purpose timer/counters with capture and match capabilities.
- ◆ One motor control PWM for three-phase motor control.
- ◆ One Quadrature Encoder Interface (QEI).
- ◆ Repetitive Interrupt timer (RI timer).
- ◆ Windowed watchdog timer.
- ◆ Ultra-low power Real-Time Clock (RTC) on separate power domain with 256 bytes of battery powered backup registers.
- ◆ Alarm timer; can be battery powered.
- Analog peripherals:
  - ◆ One 10-bit DAC with DMA support and a data conversion rate of 400 kSamples/s.
  - ◆ Two 10-bit ADCs with DMA support and a data conversion rate of 400 kSamples/s. Up to eight input channels per ADC.
- Unique ID for each device.
- Power:
  - ◆ Single 3.3 V (2.2 V to 3.6 V) power supply with on-chip internal voltage regulator for the core supply and the RTC power domain.
  - ◆ RTC power domain can be powered separately by a 3 V battery supply.
  - ◆ Four reduced power modes: Sleep, Deep-sleep, Power-down, and Deep power-down.
  - ◆ Processor wake-up from Sleep mode via wake-up interrupts from various peripherals.
  - ◆ Wake-up from Deep-sleep, Power-down, and Deep power-down modes via external interrupts and interrupts generated by battery powered blocks in the RTC power domain.
  - ◆ Brownout detect with four separate thresholds for interrupt and forced reset.
  - ◆ Power-On Reset (POR).
- Available as 144-pin LQFP packages and as 256-pin, 180-pin, and 100-pin BGA packages.

### 3. Applications

- Communication hubs
- Automotive aftermarket
- Power management
- Consumer health devices
- Embedded audio applications
- Industrial control
- Industrial automation
- white goods

## 4. Ordering information

Table 1. Ordering information

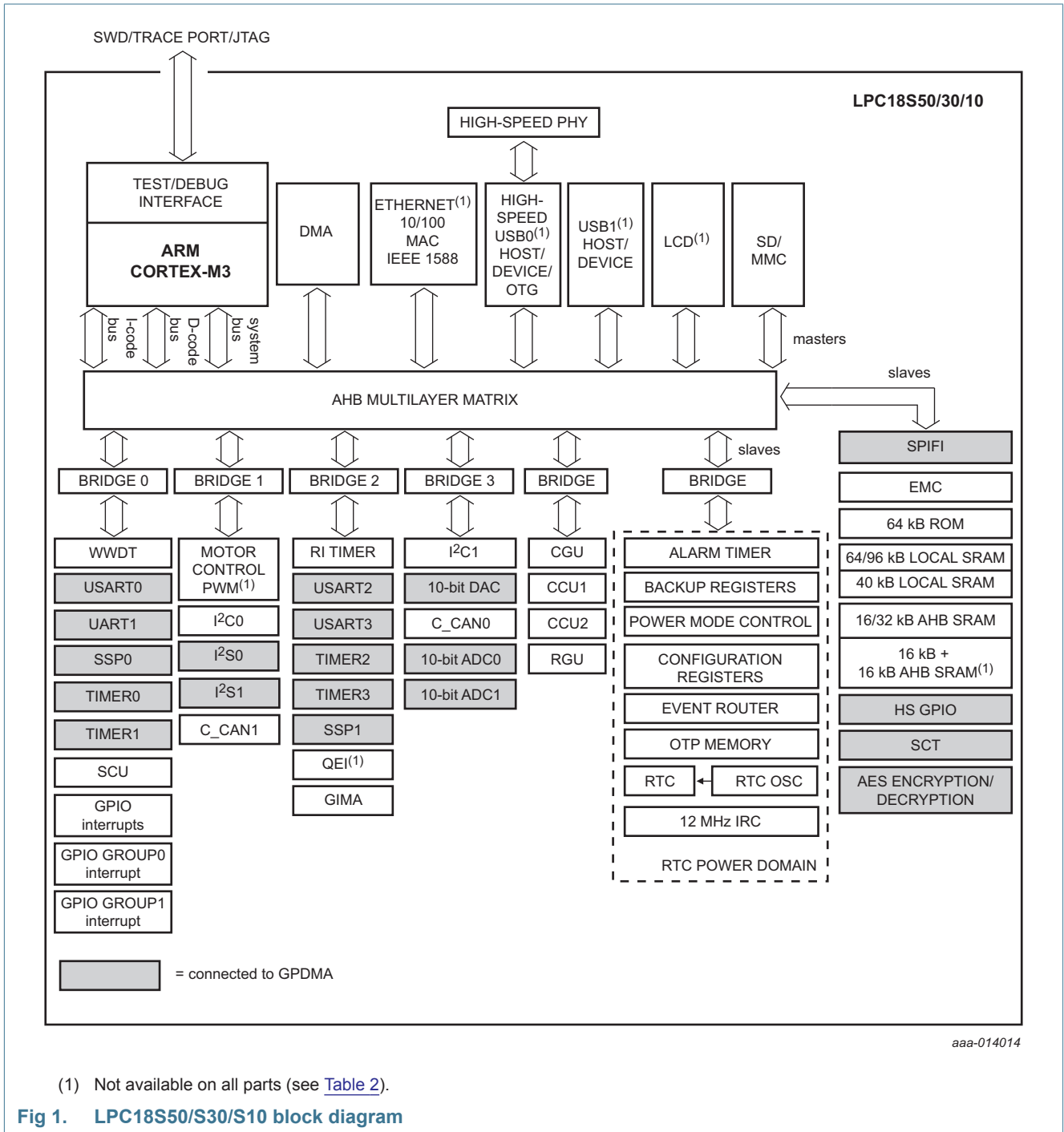
Type number	Package		Version
	Name	Description	
LPC18S50FET256	LBGA256	Plastic low profile ball grid array package; 256 balls; body 17 × 17 × 1 mm	SOT740-2
LPC18S50FET180	TFBGA180	Thin fine-pitch ball grid array package; 180 balls	SOT570-3
LPC18S30FET256	LBGA256	Plastic low profile ball grid array package; 256 balls; body 17 × 17 × 1 mm	SOT740-2
LPC18S30FET100	TFBGA100	Plastic thin fine-pitch ball grid array package; 100 balls; body 9 × 9 × 0.7 mm	SOT926-1
LPC18S30FBD144	LQFP144	Plastic low profile quad flat package; 144 leads; body 20 × 20 × 1.4 mm	SOT486-1
LPC18S10FET100	TFBGA100	Plastic thin fine-pitch ball grid array package; 100 balls; body 9 × 9 × 0.7 mm	SOT926-1
LPC18S10FBD144	LQFP144	Plastic low profile quad flat package; 144 leads; body 20 × 20 × 1.4 mm	SOT486-1

### 4.1 Ordering options

Table 2. Ordering options

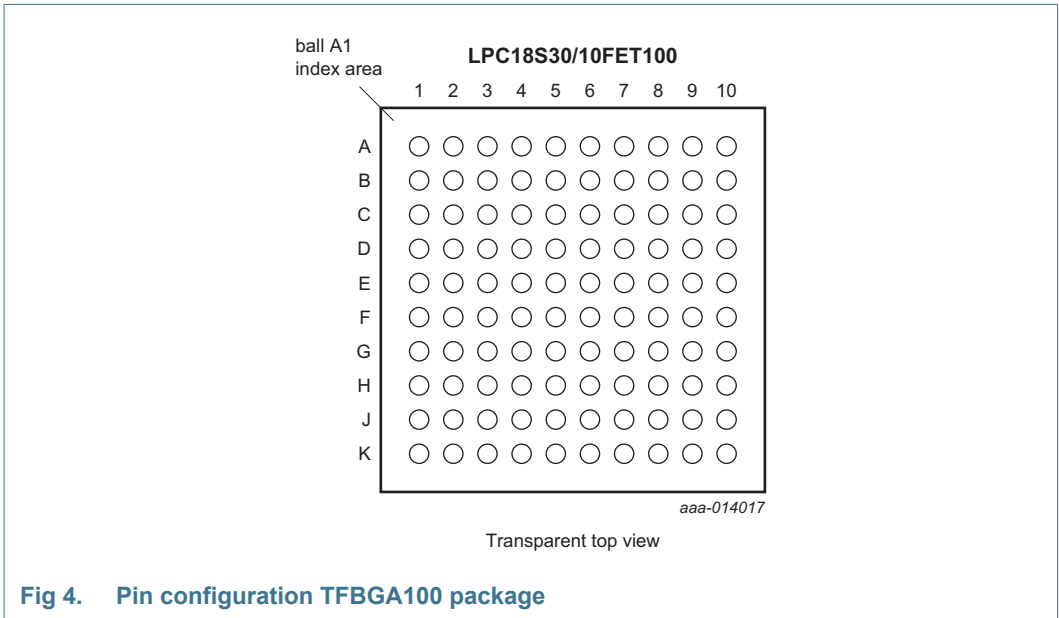
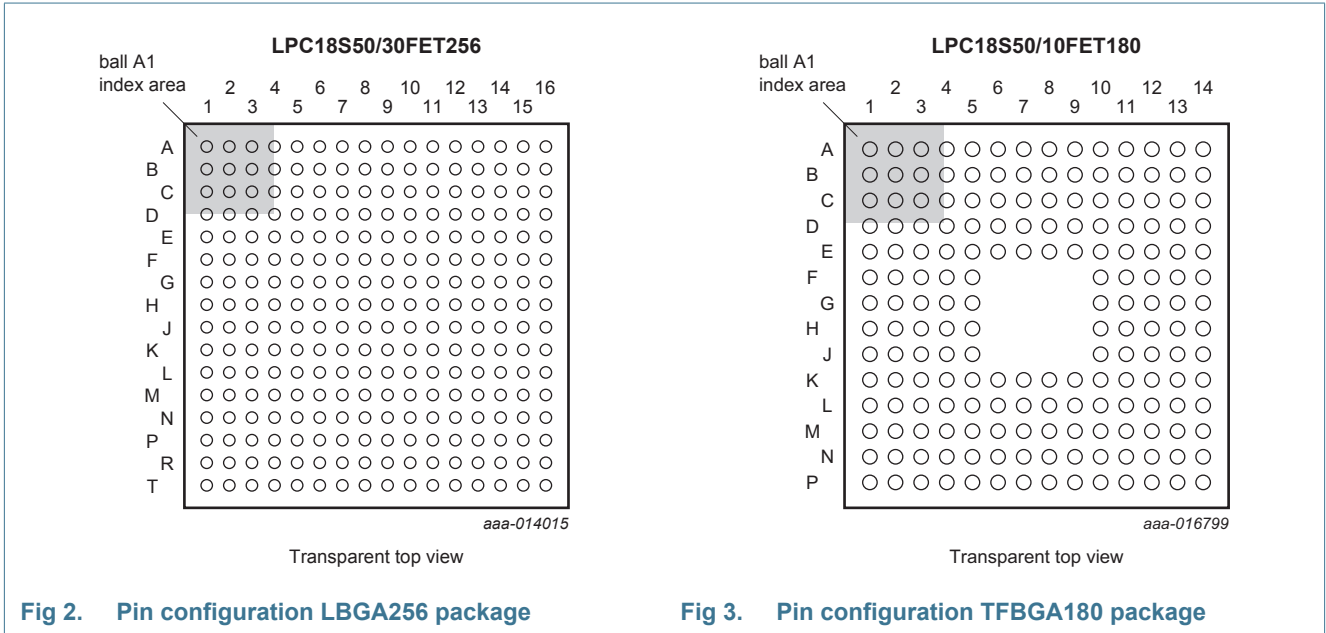
Type number	Total SRAM	LCD	Ethernet	USB0 (Host, Device, OTG)	USB1 (Host, Device)/ ULPI interface	ADC channels	PWM	QEI	GPIO	Package
LPC18S50FET256	200 kB	yes	yes	yes	yes/yes	8	yes	yes	164	LBGA256
LPC18S50FET180	200 kB	yes	yes	yes	yes/yes	8	yes	yes	118	TFBGA180
LPC18S30FET256	200 kB	no	yes	yes	yes/yes	8	yes	yes	164	LBGA256
LPC18S30FET100	200 kB	no	yes	yes	yes/no	4	no	no	49	TFBGA100
LPC18S30FBD144	200 kB	no	yes	yes	yes/no	8	yes	no	83	LQFP144
LPC18S10FET100	136 kB	no	no	no	no	4	no	no	49	TFBGA100
LPC18S10FBD144	136 kB	no	no	no	no	8	yes	no	83	LQFP144

5. Block diagram



## 6. Pinning information

### 6.1 Pinning



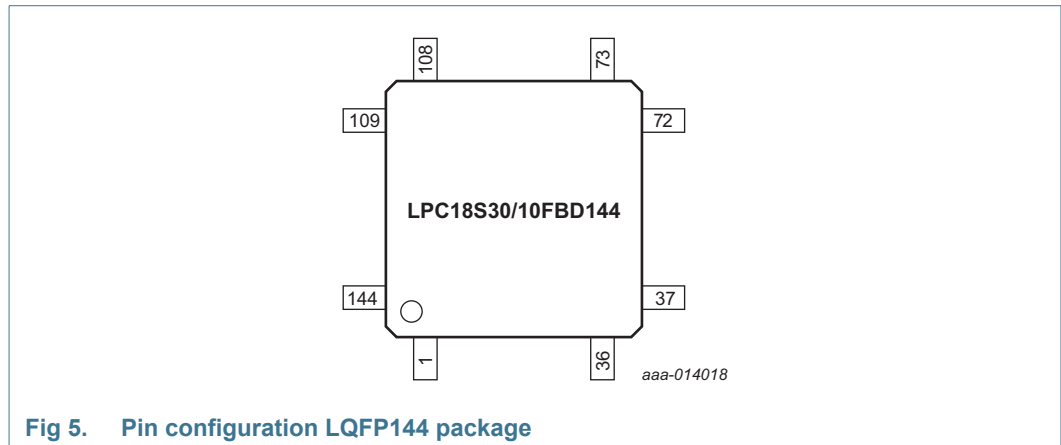


Fig 5. Pin configuration LQFP144 package

## 6.2 Pin description

On the LPC18S50/S30/S10, digital pins are grouped into 16 ports, named P0 to P9 and PA to PF, with up to 20 pins used per port. Each digital pin can support up to eight different digital functions, including General-Purpose I/O (GPIO), selectable through the System Configuration Unit (SCU) registers. The pin name is not indicative of the GPIO port assigned to it.

Not all functions listed in [Table 3](#) are available on all packages. See [Table 2](#) for availability of USB0, USB1, Ethernet, and LCD functions.

The parts contain two 10-bit ADCs (ADC0 and ADC1). The input channels of ADC0 and ADC1 on dedicated pins and multiplexed pins are combined in such a way that all channel 0 inputs (named ADC0\_0 and ADC1\_0) are tied together and connected to both, channel 0 on ADC0 and channel 0 on ADC1, channel 1 inputs (named ADC0\_1 and ADC1\_1) are tied together and connected to channel 1 on ADC0 and ADC1, and so forth. There are eight ADC channels total for the two ADCs.

**Table 3. Pin description**

LCD, Ethernet, USB0, and USB1 functions are not available on all parts. See [Table 2](#).

Symbol	LBGA256	TFBGA180	TFBGA100	LQFP144		Reset state [1]	Type	Description	
<b>Multiplexed digital pins</b>									
P0_0	L3	K3	G2	32	[2]	N; PU	I/O	GPIO0[0] — General purpose digital input/output pin.	
								I/O SSP1_MISO — Master In Slave Out for SSP1.	
								I ENET_RXD1 — Ethernet receive data 1 (RMII/MII interface).	
								- R — Function reserved.	
								- R — Function reserved.	
								- R — Function reserved.	
								I/O I2S0_TX_WS — Transmit Word Select. It is driven by the master and received by the slave. Corresponds to the signal WS in the I <sup>2</sup> S-bus specification.	
I/O I2S1_TX_WS — Transmit Word Select. It is driven by the master and received by the slave. Corresponds to the signal WS in the I <sup>2</sup> S-bus specification.									
P0_1	M2	K2	G1	34	[2]	N; PU	I/O	GPIO0[1] — General purpose digital input/output pin.	
								I/O SSP1_MOSI — Master Out Slave in for SSP1.	
								I ENET_COL — Ethernet Collision detect (MII interface).	
								- R — Function reserved.	
								- R — Function reserved.	
								- R — Function reserved.	
								ENET_TX_EN — Ethernet transmit enable (RMII/MII interface).	
I/O I2S1_TX_SDA — I <sup>2</sup> S1 transmit data. It is driven by the transmitter and read by the receiver. Corresponds to the signal SD in the I <sup>2</sup> S-bus specification.									
P1_0	P2	L1	H1	38	[2]	N; PU	I/O	GPIO0[4] — General purpose digital input/output pin.	
								I CTIN_3 — SCTimer/PWM input 3. Capture input 1 of timer 1.	
								I/O EMC_A5 — External memory address line 5.	
								- R — Function reserved.	
								- R — Function reserved.	
								I/O SSP0_SSEL — Slave Select for SSP0.	
								- R — Function reserved.	
- R — Function reserved.									

**Table 3. Pin description ...continued**

LCD, Ethernet, USB0, and USB1 functions are not available on all parts. See [Table 2](#).

Symbol	LPGA256	TFBGA180	TFBGA100	LQFP144		Reset state <a href="#">[1]</a>	Type	Description
P1_1	R2	N1	K2	42	<a href="#">[2]</a>	N; PU	I/O	<b>GPIO0[8]</b> — General purpose digital input/output pin. Boot pin (see <a href="#">Table 5</a> ).
							O	<b>CTOUT_7</b> — SCTimer/PWM output 7. Match output 3 of timer 1.
							I/O	<b>EMC_A6</b> — External memory address line 6.
							-	<b>R</b> — Function reserved.
							-	<b>R</b> — Function reserved.
							I/O	<b>SSP0_MISO</b> — Master In Slave Out for SSP0.
							-	<b>R</b> — Function reserved.
P1_2	R3	N2	K1	43	<a href="#">[2]</a>	N; PU	I/O	<b>GPIO0[9]</b> — General purpose digital input/output pin. Boot pin (see <a href="#">Table 5</a> ).
							O	<b>CTOUT_6</b> — SCTimer/PWM output 6. Match output 2 of timer 1.
							I/O	<b>EMC_A7</b> — External memory address line 7.
							-	<b>R</b> — Function reserved.
							-	<b>R</b> — Function reserved.
							I/O	<b>SSP0_MOSI</b> — Master Out Slave in for SSP0.
							-	<b>R</b> — Function reserved.
P1_3	P5	M2	J1	44	<a href="#">[2]</a>	N; PU	I/O	<b>GPIO0[10]</b> — General purpose digital input/output pin.
							O	<b>CTOUT_8</b> — SCTimer/PWM output 8. Match output 0 of timer 2.
							-	<b>R</b> — Function reserved.
							O	<b>EMC_OE</b> — LOW active Output Enable signal.
							O	<b>USB0_IND1</b> — USB0 port indicator LED control output 1.
							I/O	<b>SSP1_MISO</b> — Master In Slave Out for SSP1.
							-	<b>R</b> — Function reserved.
O	<b>SD_RST</b> — SD/MMC reset signal for MMC4.4 card.							
P1_4	T3	P2	J2	47	<a href="#">[2]</a>	N; PU	I/O	<b>GPIO0[11]</b> — General purpose digital input/output pin.
							O	<b>CTOUT_9</b> — SCTimer/PWM output 9. Match output 3 of timer 3.
							-	<b>R</b> — Function reserved.
							O	<b>EMC_BLS0</b> — LOW active Byte Lane select signal 0.
							O	<b>USB0_IND0</b> — USB0 port indicator LED control output 0.
							I/O	<b>SSP1_MOSI</b> — Master Out Slave in for SSP1.
							-	<b>R</b> — Function reserved.
O	<b>SD_VOLT1</b> — SD/MMC bus voltage select output 1.							

**Table 3. Pin description ...continued**

LCD, Ethernet, USB0, and USB1 functions are not available on all parts. See [Table 2](#).

Symbol	LPGA256	TFBGA180	TFBGA100	LQFP144		Reset state <a href="#">[1]</a>	Type	Description
P1_5	R5	N3	J4	48	<a href="#">[2]</a>	N; PU	I/O	<b>GPIO1[8]</b> — General purpose digital input/output pin.
							O	<b>CTOUT_10</b> — SCTimer/PWM output 10. Match output 3 of timer 3.
							-	<b>R</b> — Function reserved.
							O	<b>EMC_CS0</b> — LOW active Chip Select 0 signal.
							I	<b>USB0_PWR_FAULT</b> — Port power fault signal indicating overcurrent condition; this signal monitors over-current on the USB bus (external circuitry required to detect over-current condition).
							I/O	<b>SSP1_SSEL</b> — Slave Select for SSP1.
							-	<b>R</b> — Function reserved.
P1_6	T4	P3	K4	49	<a href="#">[2]</a>	N; PU	I/O	<b>GPIO1[9]</b> — General purpose digital input/output pin.
							I	<b>CTIN_5</b> — SCTimer/PWM input 5. Capture input 2 of timer 2.
							-	<b>R</b> — Function reserved.
							O	<b>EMC_WE</b> — LOW active Write Enable signal.
							-	<b>R</b> — Function reserved.
							-	<b>R</b> — Function reserved.
							-	<b>R</b> — Function reserved.
P1_7	T5	N4	G4	50	<a href="#">[2]</a>	N; PU	I/O	<b>GPIO1[0]</b> — General purpose digital input/output pin.
							I	<b>U1_DSR</b> — Data Set Ready input for UART1.
							O	<b>CTOUT_13</b> — SCTimer/PWM output 13. Match output 3 of timer 3.
							I/O	<b>EMC_D0</b> — External memory data line 0.
							O	<b>USB0_PPWR</b> — VBUS drive signal (towards external charge pump or power management unit); indicates that VBUS must be driven (active HIGH). Add a pull-down resistor to disable the power switch at reset. This signal has opposite polarity compared to the <b>USB_PPWR</b> used on other NXP LPC parts.
							-	<b>R</b> — Function reserved.
							-	<b>R</b> — Function reserved.
-	<b>R</b> — Function reserved.							

**Table 3. Pin description ...continued**

LCD, Ethernet, USB0, and USB1 functions are not available on all parts. See [Table 2](#).

Symbol	LBGA256	TFBGA180	TFBGA100	LQFP144		Reset state <a href="#">[1]</a>	Type	Description
P1_8	R7	M5	H5	51	<a href="#">[2]</a>	N; PU	I/O	<b>GPIO1[1]</b> — General purpose digital input/output pin.
							O	<b>U1_DTR</b> — Data Terminal Ready output for UART1.
							O	<b>CTOUT_12</b> — SCTimer/PWM output 12. Match output 3 of timer 3.
							I/O	<b>EMC_D1</b> — External memory data line 1.
							-	<b>R</b> — Function reserved.
							-	<b>R</b> — Function reserved.
							O	<b>SD_VOLT0</b> — SD/MMC bus voltage select output 0.
P1_9	T7	N5	J5	52	<a href="#">[2]</a>	N; PU	I/O	<b>GPIO1[2]</b> — General purpose digital input/output pin.
							O	<b>U1_RTS</b> — Request to Send output for UART1.
							O	<b>CTOUT_11</b> — SCTimer/PWM output 11. Match output 3 of timer 2.
							I/O	<b>EMC_D2</b> — External memory data line 2.
							-	<b>R</b> — Function reserved.
							-	<b>R</b> — Function reserved.
							I/O	<b>SD_DAT0</b> — SD/MMC data bus line 0.
P1_10	R8	N6	H6	53	<a href="#">[2]</a>	N; PU	I/O	<b>GPIO1[3]</b> — General purpose digital input/output pin.
							I	<b>U1_RI</b> — Ring Indicator input for UART1.
							O	<b>CTOUT_14</b> — SCTimer/PWM output 14. Match output 2 of timer 3.
							I/O	<b>EMC_D3</b> — External memory data line 3.
							-	<b>R</b> — Function reserved.
							-	<b>R</b> — Function reserved.
							I/O	<b>SD_DAT1</b> — SD/MMC data bus line 1.
P1_11	T9	P8	J7	55	<a href="#">[2]</a>	N; PU	I/O	<b>GPIO1[4]</b> — General purpose digital input/output pin.
							I	<b>U1_CTS</b> — Clear to Send input for UART1.
							O	<b>CTOUT_15</b> — SCTimer/PWM output 15. Match output 3 of timer 3.
							I/O	<b>EMC_D4</b> — External memory data line 4.
							-	<b>R</b> — Function reserved.
							-	<b>R</b> — Function reserved.
							I/O	<b>SD_DAT2</b> — SD/MMC data bus line 2.

**Table 3. Pin description ...continued**

LCD, Ethernet, USB0, and USB1 functions are not available on all parts. See [Table 2](#).

Symbol	LPGA256	TFBGA180	TFBGA100	LQFP144		Reset state <a href="#">[1]</a>	Type	Description
P1_12	R9	P7	K7	56	<a href="#">[2]</a>	N; PU	I/O	<b>GPIO1[5]</b> — General purpose digital input/output pin.
							I	<b>U1_DCD</b> — Data Carrier Detect input for UART1.
							-	<b>R</b> — Function reserved.
							I/O	<b>EMC_D5</b> — External memory data line 5.
							I	<b>T0_CAP1</b> — Capture input 1 of timer 0.
							-	<b>R</b> — Function reserved.
							-	<b>R</b> — Function reserved.
							I/O	<b>SD_DAT3</b> — SD/MMC data bus line 3.
P1_13	R10	L8	H8	60	<a href="#">[2]</a>	N; PU	I/O	<b>GPIO1[6]</b> — General purpose digital input/output pin.
							O	<b>U1_TXD</b> — Transmitter output for UART1.
							-	<b>R</b> — Function reserved.
							I/O	<b>EMC_D6</b> — External memory data line 6.
							I	<b>T0_CAP0</b> — Capture input 0 of timer 0.
							-	<b>R</b> — Function reserved.
							-	<b>R</b> — Function reserved.
							I	<b>SD_CD</b> — SD/MMC card detect input.
P1_14	R11	K7	J8	61	<a href="#">[2]</a>	N; PU	I/O	<b>GPIO1[7]</b> — General purpose digital input/output pin.
							I	<b>U1_RXD</b> — Receiver input for UART1.
							-	<b>R</b> — Function reserved.
							I/O	<b>EMC_D7</b> — External memory data line 7.
							O	<b>T0_MAT2</b> — Match output 2 of timer 0.
							-	<b>R</b> — Function reserved.
							-	<b>R</b> — Function reserved.
							-	<b>R</b> — Function reserved.
P1_15	T12	P11	K8	62	<a href="#">[2]</a>	N; PU	I/O	<b>GPIO0[2]</b> — General purpose digital input/output pin.
							O	<b>U2_TXD</b> — Transmitter output for USART2.
							-	<b>R</b> — Function reserved.
							I	<b>ENET_RXD0</b> — Ethernet receive data 0 (RMII/MII interface).
							O	<b>T0_MAT1</b> — Match output 1 of timer 0.
							-	<b>R</b> — Function reserved.
							-	<b>R</b> — Function reserved.
							-	<b>R</b> — Function reserved.

**Table 3. Pin description ...continued**

LCD, Ethernet, USB0, and USB1 functions are not available on all parts. See [Table 2](#).

Symbol	LPGA256	TFBGA180	TFBGA100	LQFP144		Reset state <a href="#">[1]</a>	Type	Description
P1_16	M7	L5	H9	64	<a href="#">[2]</a>	N; PU	I/O	<b>GPIO0[3]</b> — General purpose digital input/output pin.
							I	<b>U2_RXD</b> — Receiver input for USART2.
							-	<b>R</b> — Function reserved.
							I	<b>ENET_CRS</b> — Ethernet Carrier Sense (MII interface).
							O	<b>T0_MAT0</b> — Match output 0 of timer 0.
							-	<b>R</b> — Function reserved.
							-	<b>R</b> — Function reserved.
I	<b>ENET_RX_DV</b> — Ethernet Receive Data Valid (RMII/MII interface).							
P1_17	M8	L6	H10	66	<a href="#">[3]</a>	N; PU	I/O	<b>GPIO0[12]</b> — General purpose digital input/output pin.
							I/O	<b>U2_UCLK</b> — Serial clock input/output for USART2 in synchronous mode.
							-	<b>R</b> — Function reserved.
							I/O	<b>ENET_MDIO</b> — Ethernet MIIM data input and output.
							I	<b>T0_CAP3</b> — Capture input 3 of timer 0.
							O	<b>CAN1_TD</b> — CAN1 transmitter output.
							-	<b>R</b> — Function reserved.
-	<b>R</b> — Function reserved.							
P1_18	N12	N10	J10	67	<a href="#">[2]</a>	N; PU	I/O	<b>GPIO0[13]</b> — General purpose digital input/output pin.
							I/O	<b>U2_DIR</b> — RS-485/EIA-485 output enable/direction control for USART2.
							-	<b>R</b> — Function reserved.
							O	<b>ENET_TXD0</b> — Ethernet transmit data 0 (RMII/MII interface).
							O	<b>T0_MAT3</b> — Match output 3 of timer 0.
							I	<b>CAN1_RD</b> — CAN1 receiver input.
							-	<b>R</b> — Function reserved.
-	<b>R</b> — Function reserved.							
P1_19	M11	N9	K9	68	<a href="#">[2]</a>	N; PU	I	<b>ENET_TX_CLK (ENET_REF_CLK)</b> — Ethernet Transmit Clock (MII interface) or Ethernet Reference Clock (RMII interface).
							I/O	<b>SSP1_SCK</b> — Serial clock for SSP1.
							-	<b>R</b> — Function reserved.
							-	<b>R</b> — Function reserved.
							O	<b>CLKOUT</b> — Clock output pin.
							-	<b>R</b> — Function reserved.
							O	<b>I2S0_RX_MCLK</b> — I <sup>2</sup> S receive master clock.
I/O	<b>I2S1_TX_SCK</b> — Transmit Clock. It is driven by the master and received by the slave. Corresponds to the signal SCK in the I <sup>2</sup> S-bus specification.							

**Table 3. Pin description ...continued**

LCD, Ethernet, USB0, and USB1 functions are not available on all parts. See [Table 2](#).

Symbol	LPGA256	TFBGA180	TFBGA100	LQFP144		Reset state <a href="#">[1]</a>	Type	Description
P1_20	M10	J10	K10	70	<a href="#">[2]</a>	N; PU	I/O	<b>GPIO0[15]</b> — General purpose digital input/output pin.
							I/O	<b>SSP1_SSEL</b> — Slave Select for SSP1.
							-	<b>R</b> — Function reserved.
							O	<b>ENET_TXD1</b> — Ethernet transmit data 1 (RMII/MII interface).
							I	<b>T0_CAP2</b> — Capture input 2 of timer 0.
							-	<b>R</b> — Function reserved.
							-	<b>R</b> — Function reserved.
							-	<b>R</b> — Function reserved.
P2_0	T16	N14	G10	75	<a href="#">[2]</a>	N; PU	-	<b>R</b> — Function reserved.
							O	<b>U0_TXD</b> — Transmitter output for USART0.
							I/O	<b>EMC_A13</b> — External memory address line 13.
							O	<b>USB0_PPWR</b> — VBUS drive signal (towards external charge pump or power management unit); indicates that VBUS must be driven (active high).  Add a pull-down resistor to disable the power switch at reset. This signal has opposite polarity compared to the USB_PPWR used on other NXP LPC parts.
							I/O	<b>GPIO5[0]</b> — General purpose digital input/output pin.
							-	<b>R</b> — Function reserved.
							I	<b>T3_CAP0</b> — Capture input 0 of timer 3.
							O	<b>ENET_MDC</b> — Ethernet MIIM clock.
P2_1	N15	M13	G7	81	<a href="#">[2]</a>	N; PU	-	<b>R</b> — Function reserved.
							I	<b>U0_RXD</b> — Receiver input for USART0.
							I/O	<b>EMC_A12</b> — External memory address line 12.
							I	<b>USB0_PWR_FAULT</b> — Port power fault signal indicating overcurrent condition; this signal monitors over-current on the USB bus (external circuitry required to detect over-current condition).
							I/O	<b>GPIO5[1]</b> — General purpose digital input/output pin.
							-	<b>R</b> — Function reserved.
							I	<b>T3_CAP1</b> — Capture input 1 of timer 3.
							-	<b>R</b> — Function reserved.

**Table 3. Pin description ...continued**

LCD, Ethernet, USB0, and USB1 functions are not available on all parts. See [Table 2](#).

Symbol	LBGA256	TFBGA180	TFBGA100	LQFP144		Reset state <a href="#">[1]</a>	Type	Description
P2_2	M15	L13	F5	84	<a href="#">[2]</a>	N; PU	-	<b>R</b> — Function reserved.
							I/O	<b>U0_UCLK</b> — Serial clock input/output for USART0 in synchronous mode.
							I/O	<b>EMC_A11</b> — External memory address line 11.
							O	<b>USB0_IND1</b> — USB0 port indicator LED control output 1.
							I/O	<b>GPIO5[2]</b> — General purpose digital input/output pin.
							I	<b>CTIN_6</b> — SCTimer/PWM input 6. Capture input 1 of timer 3.
							I	<b>T3_CAP2</b> — Capture input 2 of timer 3.
P2_3	J12	G11	D8	87	<a href="#">[3]</a>	N; PU	-	<b>R</b> — Function reserved.
							I/O	<b>I2C1_SDA</b> — I <sup>2</sup> C1 data input/output (this pin does not use a specialized I2C pad).
							O	<b>U3_TXD</b> — Transmitter output for USART3.
							I	<b>CTIN_1</b> — SCTimer/PWM input 1. Capture input 1 of timer 0. Capture input 1 of timer 2.
							I/O	<b>GPIO5[3]</b> — General purpose digital input/output pin.
							-	<b>R</b> — Function reserved.
							O	<b>T3_MAT0</b> — Match output 0 of timer 3.
O	<b>USB0_PPWR</b> — VBUS drive signal (towards external charge pump or power management unit); indicates that VBUS must be driven (active HIGH). Add a pull-down resistor to disable the power switch at reset. This signal has opposite polarity compared to the <b>USB_PPWR</b> used on other NXP LPC parts.							
P2_4	K11	L9	D9	88	<a href="#">[3]</a>	N; PU	-	<b>R</b> — Function reserved.
							I/O	<b>I2C1_SCL</b> — I <sup>2</sup> C1 clock input/output (this pin does not use a specialized I2C pad).
							I	<b>U3_RXD</b> — Receiver input for USART3.
							I	<b>CTIN_0</b> — SCTimer/PWM input 0. Capture input 0 of timer 0, 1, 2, 3.
							I/O	<b>GPIO5[4]</b> — General purpose digital input/output pin.
							-	<b>R</b> — Function reserved.
							O	<b>T3_MAT1</b> — Match output 1 of timer 3.
I	<b>USB0_PWR_FAULT</b> — Port power fault signal indicating overcurrent condition; this signal monitors over-current on the USB bus (external circuitry required to detect over-current condition).							

**Table 3. Pin description ...continued**

LCD, Ethernet, USB0, and USB1 functions are not available on all parts. See [Table 2](#).

Symbol	LPGA256	TFBGA180	TFBGA100	LQFP144		Reset state <a href="#">[1]</a>	Type	Description
P2_5	K14	J12	D10	91	<a href="#">[3]</a>	N; PU	-	<b>R</b> — Function reserved.
							I	<b>CTIN_2</b> — SCTimer/PWM input 2. Capture input 2 of timer 0.
							I	<b>USB1_VBUS</b> — Monitors the presence of USB1 bus power. <b>Note:</b> This signal must be HIGH for USB reset to occur.
							I	<b>ADCTRIG1</b> — ADC trigger input 1.
							I/O	<b>GPIO5[5]</b> — General purpose digital input/output pin.
							-	<b>R</b> — Function reserved.
							O	<b>T3_MAT2</b> — Match output 2 of timer 3.
							O	<b>USB0_IND0</b> — USB0 port indicator LED control output 0.
P2_6	K16	J14	G9	95	<a href="#">[2]</a>	N; PU	-	<b>R</b> — Function reserved.
							I/O	<b>U0_DIR</b> — RS-485/EIA-485 output enable/direction control for USART0.
							I/O	<b>EMC_A10</b> — External memory address line 10.
							O	<b>USB0_IND0</b> — USB0 port indicator LED control output 0.
							I/O	<b>GPIO5[6]</b> — General purpose digital input/output pin.
							I	<b>CTIN_7</b> — SCTimer/PWM input 7.
							I	<b>T3_CAP3</b> — Capture input 3 of timer 3.
-	<b>R</b> — Function reserved.							
P2_7	H14	G12	C10	96	<a href="#">[2]</a>	N; PU	I/O	<b>GPIO0[7]</b> — General purpose digital input/output pin. ISP entry pin. If this pin is pulled LOW at reset, the part enters ISP mode using USART0.
							O	<b>CTOUT_1</b> — SCTimer/PWM output 1. Match output 3 of timer 3.
							I/O	<b>U3_UCLK</b> — Serial clock input/output for USART3 in synchronous mode.
							I/O	<b>EMC_A9</b> — External memory address line 9.
							-	<b>R</b> — Function reserved.
							-	<b>R</b> — Function reserved.
							O	<b>T3_MAT3</b> — Match output 3 of timer 3.
							-	<b>R</b> — Function reserved.

**Table 3. Pin description ...continued**

LCD, Ethernet, USB0, and USB1 functions are not available on all parts. See [Table 2](#).

Symbol	LPGA256	TFBGA180	TFBGA100	LQFP144		Reset state <a href="#">[1]</a>	Type	Description
P2_8	J16	H14	C6	98	<a href="#">[2]</a>	N; PU	-	R — Function reserved. Boot pin (see <a href="#">Table 5</a> )
							O	CTOUT_0 — SCTimer/PWM output 0. Match output 0 of timer 0.
							I/O	U3_DIR — RS-485/EIA-485 output enable/direction control for USART3.
							I/O	EMC_A8 — External memory address line 8.
							I/O	GPIO5[7] — General purpose digital input/output pin.
							-	R — Function reserved.
							-	R — Function reserved.
P2_9	H16	G14	B10	102	<a href="#">[2]</a>	N; PU	I/O	GPIO1[10] — General purpose digital input/output pin. Boot pin (see <a href="#">Table 5</a> ).
							O	CTOUT_3 — SCTimer/PWM output 3. Match output 3 of timer 0.
							I/O	U3_BAUD — Baud pin for USART3.
							I/O	EMC_A0 — External memory address line 0.
							-	R — Function reserved.
							-	R — Function reserved.
							-	R — Function reserved.
P2_10	G16	F14	E8	104	<a href="#">[2]</a>	N; PU	I/O	GPIO0[14] — General purpose digital input/output pin.
							O	CTOUT_2 — SCTimer/PWM output 2. Match output 2 of timer 0.
							O	U2_TXD — Transmitter output for USART2.
							I/O	EMC_A1 — External memory address line 1.
							-	R — Function reserved.
							-	R — Function reserved.
							-	R — Function reserved.
P2_11	F16	E13	A9	105	<a href="#">[2]</a>	N; PU	I/O	GPIO1[11] — General purpose digital input/output pin.
							O	CTOUT_5 — SCTimer/PWM output 5. Match output 3 of timer 3.
							I	U2_RXD — Receiver input for USART2.
							I/O	EMC_A2 — External memory address line 2.
							-	R — Function reserved.
							-	R — Function reserved.
							-	R — Function reserved.

**Table 3. Pin description ...continued**

LCD, Ethernet, USB0, and USB1 functions are not available on all parts. See [Table 2](#).

Symbol	LBGA256	TFBGA180	TFBGA100	LQFP144		Reset state <a href="#">[1]</a>	Type	Description
P2_12	E15	D13	B9	106	<a href="#">[2]</a>	N; PU	I/O	<b>GPIO1[12]</b> — General purpose digital input/output pin.
							O	<b>CTOUT_4</b> — SCTimer/PWM output 4. Match output 3 of timer 3.
							-	<b>R</b> — Function reserved.
							I/O	<b>EMC_A3</b> — External memory address line 3.
							-	<b>R</b> — Function reserved.
							-	<b>R</b> — Function reserved.
							I/O	<b>U2_UCLK</b> — Serial clock input/output for USART2 in synchronous mode.
P2_13	C16	E14	A10	108	<a href="#">[2]</a>	N; PU	I/O	<b>GPIO1[13]</b> — General purpose digital input/output pin.
							I	<b>CTIN_4</b> — SCTimer/PWM input 4. Capture input 2 of timer 1.
							-	<b>R</b> — Function reserved.
							I/O	<b>EMC_A4</b> — External memory address line 4.
							-	<b>R</b> — Function reserved.
							-	<b>R</b> — Function reserved.
							I/O	<b>U2_DIR</b> — RS-485/EIA-485 output enable/direction control for USART2.
P3_0	F13	D12	A8	112	<a href="#">[2]</a>	N; PU	I/O	<b>I2S0_RX_SCK</b> — I <sup>2</sup> S receive clock. It is driven by the master and received by the slave. Corresponds to the signal SCK in the <i>I<sup>2</sup>S-bus specification</i> .
							O	<b>I2S0_RX_MCLK</b> — I <sup>2</sup> S receive master clock.
							I/O	<b>I2S0_TX_SCK</b> — Transmit Clock. It is driven by the master and received by the slave. Corresponds to the signal SCK in the <i>I<sup>2</sup>S-bus specification</i> .
							O	<b>I2S0_TX_MCLK</b> — I <sup>2</sup> S transmit master clock.
							I/O	<b>SSP0_SCK</b> — Serial clock for SSP0.
							-	<b>R</b> — Function reserved.
							-	<b>R</b> — Function reserved.
-	<b>R</b> — Function reserved.							

**Table 3. Pin description ...continued**

LCD, Ethernet, USB0, and USB1 functions are not available on all parts. See [Table 2](#).

Symbol	LPGA256	TFBGA180	TFBGA100	LQFP144		Reset state <a href="#">[1]</a>	Type	Description
P3_1	G11	D10	F7	114	<a href="#">[2]</a>	N; PU	I/O	<b>I2S0_TX_WS</b> — Transmit Word Select. It is driven by the master and received by the slave. Corresponds to the signal WS in the <i>I<sup>2</sup>S-bus specification</i> .
							I/O	<b>I2S0_RX_WS</b> — Receive Word Select. It is driven by the master and received by the slave. Corresponds to the signal WS in the <i>I<sup>2</sup>S-bus specification</i> .
							I	<b>CAN0_RD</b> — CAN receiver input.
							O	<b>USB1_IND1</b> — USB1 Port indicator LED control output 1.
							I/O	<b>GPIO5[8]</b> — General purpose digital input/output pin.
							-	<b>R</b> — Function reserved.
							O	<b>LCD_VD15</b> — LCD data.
P3_2	F11	D9	G6	116	<a href="#">[2]</a>	OL; PU	I/O	<b>I2S0_TX_SDA</b> — I <sup>2</sup> S transmit data. It is driven by the transmitter and read by the receiver. Corresponds to the signal SD in the <i>I<sup>2</sup>S-bus specification</i> .
							I/O	<b>I2S0_RX_SDA</b> — I <sup>2</sup> S receive data. It is driven by the transmitter and read by the receiver. Corresponds to the signal SD in the <i>I<sup>2</sup>S-bus specification</i> .
							O	<b>CAN0_TD</b> — CAN transmitter output.
							O	<b>USB1_IND0</b> — USB1 Port indicator LED control output 0.
							I/O	<b>GPIO5[9]</b> — General purpose digital input/output pin.
							-	<b>R</b> — Function reserved.
							O	<b>LCD_VD14</b> — LCD data.
P3_3	B14	B13	A7	118	<a href="#">[4]</a>	N; PU	-	<b>R</b> — Function reserved.
							-	<b>R</b> — Function reserved.
							I/O	<b>SSP0_SCK</b> — Serial clock for SSP0.
							O	<b>SPIFI_SCK</b> — Serial clock for SPIFI.
							O	<b>CGU_OUT1</b> — CGU spare clock output 1.
							-	<b>R</b> — Function reserved.
							O	<b>I2S0_TX_MCLK</b> — I <sup>2</sup> S transmit master clock.
I/O	<b>I2S1_TX_SCK</b> — Transmit Clock. It is driven by the master and received by the slave. Corresponds to the signal SCK in the <i>I<sup>2</sup>S-bus specification</i> .							

**Table 3. Pin description ...continued**

LCD, Ethernet, USB0, and USB1 functions are not available on all parts. See [Table 2](#).

Symbol	LBGA256	TFBGA180	TFBGA100	LQFP144		Reset state <a href="#">[1]</a>	Type	Description
P3_4	A15	C14	B8	119	<a href="#">[2]</a>	N; PU	I/O	<b>GPIO1[14]</b> — General purpose digital input/output pin.
							-	<b>R</b> — Function reserved.
							-	<b>R</b> — Function reserved.
							I/O	<b>SPIFI_SIO3</b> — I/O lane 3 for SPIFI.
							O	<b>U1_TXD</b> — Transmitter output for UART1.
							I/O	<b>I2S0_TX_WS</b> — Transmit Word Select. It is driven by the master and received by the slave. Corresponds to the signal WS in the <i>I<sup>2</sup>S-bus specification</i> .
							I/O	<b>I2S1_RX_SDA</b> — I <sup>2</sup> S1 receive data. It is driven by the transmitter and read by the receiver. Corresponds to the signal SD in the <i>I<sup>2</sup>S-bus specification</i> .
O	<b>LCD_VD13</b> — LCD data.							
P3_5	C12	C11	B7	121	<a href="#">[2]</a>	N; PU	I/O	<b>GPIO1[15]</b> — General purpose digital input/output pin.
							-	<b>R</b> — Function reserved.
							-	<b>R</b> — Function reserved.
							I/O	<b>SPIFI_SIO2</b> — I/O lane 2 for SPIFI.
							I	<b>U1_RXD</b> — Receiver input for UART1.
							I/O	<b>I2S0_TX_SDA</b> — I <sup>2</sup> S transmit data. It is driven by the transmitter and read by the receiver. Corresponds to the signal SD in the <i>I<sup>2</sup>S-bus specification</i> .
							I/O	<b>I2S1_RX_WS</b> — Receive Word Select. It is driven by the master and received by the slave. Corresponds to the signal WS in the <i>I<sup>2</sup>S-bus specification</i> .
O	<b>LCD_VD12</b> — LCD data.							
P3_6	B13	B12	C7	122	<a href="#">[2]</a>	N; PU	I/O	<b>GPIO0[6]</b> — General purpose digital input/output pin.
							-	<b>R</b> — Function reserved.
							I/O	<b>SSP0_SSEL</b> — Slave Select for SSP0.
							I/O	<b>SPIFI_MISO</b> — Input 1 in SPIFI quad mode; SPIFI output IO1.
							-	<b>R</b> — Function reserved.
							I/O	<b>SSP0_MISO</b> — Master In Slave Out for SSP0.
							-	<b>R</b> — Function reserved.
-	<b>R</b> — Function reserved.							
P3_7	C11	C10	D7	123	<a href="#">[2]</a>	N; PU	-	<b>R</b> — Function reserved.
							-	<b>R</b> — Function reserved.
							I/O	<b>SSP0_MISO</b> — Master In Slave Out for SSP0.
							I/O	<b>SPIFI_MOSI</b> — Input 0 in SPIFI quad mode; SPIFI output IO0.
							I/O	<b>GPIO5[10]</b> — General purpose digital input/output pin.
							I/O	<b>SSP0_MOSI</b> — Master Out Slave in for SSP0.
							-	<b>R</b> — Function reserved.
-	<b>R</b> — Function reserved.							

**Table 3. Pin description ...continued**

LCD, Ethernet, USB0, and USB1 functions are not available on all parts. See [Table 2](#).

Symbol	LPGA256	TFBGA180	TFBGA100	LQFP144		Reset state <a href="#">[1]</a>	Type	Description
P3_8	C10	C9	E7	124	<a href="#">[2]</a>	N; PU	-	R — Function reserved.
							-	R — Function reserved.
							I/O	SSP0_MOSI — Master Out Slave in for SSP0.
							I/O	SPIFI_CS — SPIFI serial flash chip select.
							I/O	GPIO5[11] — General purpose digital input/output pin.
							I/O	SSP0_SSEL — Slave Select for SSP0.
							-	R — Function reserved.
							-	R — Function reserved.
P4_0	D5	D4	-	1	<a href="#">[2]</a>	N; PU	I/O	GPIO2[0] — General purpose digital input/output pin.
							O	MCOA0 — Motor control PWM channel 0, output A.
							I	NMI — External interrupt input to NMI.
							-	R — Function reserved.
							-	R — Function reserved.
							O	LCD_VD13 — LCD data.
							I/O	U3_UCLK — Serial clock input/output for USART3 in synchronous mode.
							-	R — Function reserved.
P4_1	A1	D3	-	3	<a href="#">[5]</a>	N; PU	I/O	GPIO2[1] — General purpose digital input/output pin.
							O	CTOUT_1 — SCTimer/PWM output 3. Match output 3 of timer 3.
							O	LCD_VD0 — LCD data.
							-	R — Function reserved.
							-	R — Function reserved.
							O	LCD_VD19 — LCD data.
							O	U3_TXD — Transmitter output for USART3.
							I	ENET_COL — Ethernet Collision detect (MII interface).
AI	ADC0_1 — ADC0 and ADC1, input channel 1. Configure the pin as GPIO input and use the ADC function select register in the SCU to select the ADC.							
P4_2	D3	A2	-	8	<a href="#">[2]</a>	N; PU	I/O	GPIO2[2] — General purpose digital input/output pin.
							O	CTOUT_0 — SCTimer/PWM output 0. Match output 0 of timer 0.
							O	LCD_VD3 — LCD data.
							-	R — Function reserved.
							-	R — Function reserved.
							O	LCD_VD12 — LCD data.
							I	U3_RXD — Receiver input for USART3.
							-	R — Function reserved.

**Table 3. Pin description ...continued**

LCD, Ethernet, USB0, and USB1 functions are not available on all parts. See [Table 2](#).

Symbol	LPGA256	TFBGA180	TFBGA100	LQFP144		Reset state <a href="#">[1]</a>	Type	Description
P4_3	C2	B2	-	7	<a href="#">[5]</a>	N; PU	I/O	<b>GPIO2[3]</b> — General purpose digital input/output pin.
							O	<b>CTOUT_3</b> — SCTimer/PWM output 3. Match output 3 of timer 0.
							O	<b>LCD_VD2</b> — LCD data.
							-	<b>R</b> — Function reserved.
							-	<b>R</b> — Function reserved.
							O	<b>LCD_VD21</b> — LCD data.
							I/O	<b>U3_BAUD</b> — Baud pin for USART3.
							-	<b>R</b> — Function reserved.
							AI	<b>ADC0_0</b> — ADC0 and ADC1, input channel shared with DAC output. Configure the pin as GPIO input and use the ADC function select register in the SCU to select the ADC.
P4_4	B1	A1	-	9	<a href="#">[5]</a>	N; PU	I/O	<b>GPIO2[4]</b> — General purpose digital input/output pin.
							O	<b>CTOUT_2</b> — SCTimer/PWM output 2. Match output 2 of timer 0.
							O	<b>LCD_VD1</b> — LCD data.
							-	<b>R</b> — Function reserved.
							-	<b>R</b> — Function reserved.
							O	<b>LCD_VD20</b> — LCD data.
							I/O	<b>U3_DIR</b> — RS-485/EIA-485 output enable/direction control for USART3.
							-	<b>R</b> — Function reserved.
							AO	<b>DAC</b> — DAC output. Shared between 10-bit ADC0/1 and DAC. Configure the pin as GPIO input and use the analog function select register in the SCU to select the DAC.
P4_5	D2	C2	-	10	<a href="#">[2]</a>	N; PU	I/O	<b>GPIO2[5]</b> — General purpose digital input/output pin.
							O	<b>CTOUT_5</b> — SCTimer/PWM output 5. Match output 3 of timer 3.
							O	<b>LCD_FP</b> — Frame pulse (STN). Vertical synchronization pulse (TFT).
							-	<b>R</b> — Function reserved.
							-	<b>R</b> — Function reserved.
							-	<b>R</b> — Function reserved.
							-	<b>R</b> — Function reserved.
							-	<b>R</b> — Function reserved.
							-	<b>R</b> — Function reserved.

**Table 3. Pin description ...continued**

LCD, Ethernet, USB0, and USB1 functions are not available on all parts. See [Table 2](#).

Symbol	LPGA256	TFBGA180	TFBGA100	LQFP144		Reset state <a href="#">[1]</a>	Type	Description
P4_6	C1	B1	-	11	<a href="#">[2]</a>	N; PU	I/O	<b>GPIO2[6]</b> — General purpose digital input/output pin.
							O	<b>CTOUT_4</b> — SCTimer/PWM output 4. Match output 3 of timer 3.
							O	<b>LCD_ENAB/LCDM</b> — STN AC bias drive or TFT data enable input.
							-	<b>R</b> — Function reserved.
							-	<b>R</b> — Function reserved.
							-	<b>R</b> — Function reserved.
							-	<b>R</b> — Function reserved.
P4_7	H4	F4	-	14	<a href="#">[2]</a>	O; PU	O	<b>LCD_DCLK</b> — LCD panel clock.
							I	<b>GP_CLKIN</b> — General-purpose clock input to the CGU.
							-	<b>R</b> — Function reserved.
							-	<b>R</b> — Function reserved.
							-	<b>R</b> — Function reserved.
							-	<b>R</b> — Function reserved.
							I/O	<b>I2S1_TX_SCK</b> — Transmit Clock. It is driven by the master and received by the slave. Corresponds to the signal SCK in the I <sup>2</sup> S-bus specification.
I/O	<b>I2S0_TX_SCK</b> — Transmit Clock. It is driven by the master and received by the slave. Corresponds to the signal SCK in the I <sup>2</sup> S-bus specification.							
P4_8	E2	D2	-	15	<a href="#">[2]</a>	N; PU	-	<b>R</b> — Function reserved.
							I	<b>CTIN_5</b> — SCTimer/PWM input 5. Capture input 2 of timer 2.
							O	<b>LCD_VD9</b> — LCD data.
							-	<b>R</b> — Function reserved.
							I/O	<b>GPIO5[12]</b> — General purpose digital input/output pin.
							O	<b>LCD_VD22</b> — LCD data.
							O	<b>CAN1_TD</b> — CAN1 transmitter output.
-	<b>R</b> — Function reserved.							
P4_9	L2	J2	-	33	<a href="#">[2]</a>	N; PU	-	<b>R</b> — Function reserved.
							I	<b>CTIN_6</b> — SCTimer/PWM input 6. Capture input 1 of timer 3.
							O	<b>LCD_VD11</b> — LCD data.
							-	<b>R</b> — Function reserved.
							I/O	<b>GPIO5[13]</b> — General purpose digital input/output pin.
							O	<b>LCD_VD15</b> — LCD data.
							I	<b>CAN1_RD</b> — CAN1 receiver input.
-	<b>R</b> — Function reserved.							

**Table 3. Pin description ...continued**

LCD, Ethernet, USB0, and USB1 functions are not available on all parts. See [Table 2](#).

Symbol	LPGA256	TFBGA180	TFBGA100	LQFP144		Reset state <a href="#">[1]</a>	Type	Description
P4_10	M3	L3	-	35	<a href="#">[2]</a>	N; PU	-	R — Function reserved.
							I	CTIN_2 — SCTimer/PWM input 2. Capture input 2 of timer 0.
							O	LCD_VD10 — LCD data.
							-	R — Function reserved.
							I/O	GPIO5[14] — General purpose digital input/output pin.
							O	LCD_VD14 — LCD data.
							-	R — Function reserved.
							-	R — Function reserved.
P5_0	N3	L2	-	37	<a href="#">[2]</a>	N; PU	I/O	GPIO2[9] — General purpose digital input/output pin.
							O	MC0B2 — Motor control PWM channel 2, output B.
							I/O	EMC_D12 — External memory data line 12.
							-	R — Function reserved.
							I	U1_DSR — Data Set Ready input for UART1.
							I	T1_CAP0 — Capture input 0 of timer 1.
							-	R — Function reserved.
-	R — Function reserved.							
P5_1	P3	M1	-	39	<a href="#">[2]</a>	N; PU	I/O	GPIO2[10] — General purpose digital input/output pin.
							I	MC12 — Motor control PWM channel 2, input.
							I/O	EMC_D13 — External memory data line 13.
							-	R — Function reserved.
							O	U1_DTR — Data Terminal Ready output for UART1. Can also be configured to be an RS-485/EIA-485 output enable signal for UART1.
							I	T1_CAP1 — Capture input 1 of timer 1.
							-	R — Function reserved.
-	R — Function reserved.							
P5_2	R4	M3	-	46	<a href="#">[2]</a>	N; PU	I/O	GPIO2[11] — General purpose digital input/output pin.
							I	MC11 — Motor control PWM channel 1, input.
							I/O	EMC_D14 — External memory data line 14.
							-	R — Function reserved.
							O	U1_RTS — Request to Send output for UART1. Can also be configured to be an RS-485/EIA-485 output enable signal for UART1.
							I	T1_CAP2 — Capture input 2 of timer 1.
							-	R — Function reserved.
-	R — Function reserved.							

**Table 3. Pin description ...continued**

LCD, Ethernet, USB0, and USB1 functions are not available on all parts. See [Table 2](#).

Symbol	LPGA256	TFBGA180	TFBGA100	LQFP144		Reset state <a href="#">[1]</a>	Type	Description
P5_3	T8	P6	-	54	<a href="#">[2]</a>	N; PU	I/O	<b>GPIO2[12]</b> — General purpose digital input/output pin.
							I	<b>MCIO</b> — Motor control PWM channel 0, input.
							I/O	<b>EMC_D15</b> — External memory data line 15.
							-	<b>R</b> — Function reserved.
							I	<b>U1_RI</b> — Ring Indicator input for UART1.
							I	<b>T1_CAP3</b> — Capture input 3 of timer 1.
							-	<b>R</b> — Function reserved.
-	<b>R</b> — Function reserved.							
P5_4	P9	N7	-	57	<a href="#">[2]</a>	N; PU	I/O	<b>GPIO2[13]</b> — General purpose digital input/output pin.
							O	<b>MCOB0</b> — Motor control PWM channel 0, output B.
							I/O	<b>EMC_D8</b> — External memory data line 8.
							-	<b>R</b> — Function reserved.
							I	<b>U1_CTS</b> — Clear to Send input for UART1.
							O	<b>T1_MAT0</b> — Match output 0 of timer 1.
							-	<b>R</b> — Function reserved.
-	<b>R</b> — Function reserved.							
P5_5	P10	N8	-	58	<a href="#">[2]</a>	N; PU	I/O	<b>GPIO2[14]</b> — General purpose digital input/output pin.
							O	<b>MCOA1</b> — Motor control PWM channel 1, output A.
							I/O	<b>EMC_D9</b> — External memory data line 9.
							-	<b>R</b> — Function reserved.
							I	<b>U1_DCD</b> — Data Carrier Detect input for UART1.
							O	<b>T1_MAT1</b> — Match output 1 of timer 1.
							-	<b>R</b> — Function reserved.
-	<b>R</b> — Function reserved.							
P5_6	T13	M11	-	63	<a href="#">[2]</a>	N; PU	I/O	<b>GPIO2[15]</b> — General purpose digital input/output pin.
							O	<b>MCOB1</b> — Motor control PWM channel 1, output B.
							I/O	<b>EMC_D10</b> — External memory data line 10.
							-	<b>R</b> — Function reserved.
							O	<b>U1_TXD</b> — Transmitter output for UART1.
							O	<b>T1_MAT2</b> — Match output 2 of timer 1.
							-	<b>R</b> — Function reserved.
-	<b>R</b> — Function reserved.							

**Table 3. Pin description ...continued**

LCD, Ethernet, USB0, and USB1 functions are not available on all parts. See [Table 2](#).

Symbol	LBGA256	TFBGA180	TFBGA100	LQFP144		Reset state <a href="#">[1]</a>	Type	Description
P5_7	R12	N11	-	65	<a href="#">[2]</a>	N; PU	I/O	<b>GPIO2[7]</b> — General purpose digital input/output pin.
							O	<b>MCOA2</b> — Motor control PWM channel 2, output A.
							I/O	<b>EMC_D11</b> — External memory data line 11.
							-	<b>R</b> — Function reserved.
							I	<b>U1_RXD</b> — Receiver input for UART1.
							O	<b>T1_MAT3</b> — Match output 3 of timer 1.
							-	<b>R</b> — Function reserved.
P6_0	M12	M10	H7	73	<a href="#">[2]</a>	N; PU	-	<b>R</b> — Function reserved.
							O	<b>I2S0_RX_MCLK</b> — I <sup>2</sup> S receive master clock.
							-	<b>R</b> — Function reserved.
							-	<b>R</b> — Function reserved.
							I/O	<b>I2S0_RX_SCK</b> — Receive Clock. It is driven by the master and received by the slave. Corresponds to the signal SCK in the <i>I<sup>2</sup>S-bus specification</i> .
							-	<b>R</b> — Function reserved.
							-	<b>R</b> — Function reserved.
P6_1	R15	P14	G5	74	<a href="#">[2]</a>	N; PU	I/O	<b>GPIO3[0]</b> — General purpose digital input/output pin.
							O	<b>EMC_DYCS1</b> — SDRAM chip select 1.
							I/O	<b>U0_UCLK</b> — Serial clock input/output for USART0 in synchronous mode.
							I/O	<b>I2S0_RX_WS</b> — Receive Word Select. It is driven by the master and received by the slave. Corresponds to the signal WS in the <i>I<sup>2</sup>S-bus specification</i> .
							-	<b>R</b> — Function reserved.
							I	<b>T2_CAP0</b> — Capture input 2 of timer 2.
							-	<b>R</b> — Function reserved.
P6_2	L13	K11	J9	78	<a href="#">[2]</a>	N; PU	I/O	<b>GPIO3[1]</b> — General purpose digital input/output pin.
							O	<b>EMC_CKEOUT1</b> — SDRAM clock enable 1.
							I/O	<b>U0_DIR</b> — RS-485/EIA-485 output enable/direction control for USART0.
							I/O	<b>I2S0_RX_SDA</b> — I <sup>2</sup> S Receive data. It is driven by the transmitter and read by the receiver. Corresponds to the signal SD in the <i>I<sup>2</sup>S-bus specification</i> .
							-	<b>R</b> — Function reserved.
							I	<b>T2_CAP1</b> — Capture input 1 of timer 2.
							-	<b>R</b> — Function reserved.
-	<b>R</b> — Function reserved.							

**Table 3. Pin description ...continued**

LCD, Ethernet, USB0, and USB1 functions are not available on all parts. See [Table 2](#).

Symbol	LPGA256	TFBGA180	TFBGA100	LQFP144		Reset state <a href="#">[1]</a>	Type	Description
P6_3	P15	N13	-	79	<a href="#">[2]</a>	N; PU	I/O	<b>GPIO3[2]</b> — General purpose digital input/output pin.
							O	<b>USB0_PPWR</b> — VBUS drive signal (towards external charge pump or power management unit); indicates that the VBUS signal must be driven (active HIGH). Add a pull-down resistor to disable the power switch at reset. This signal has opposite polarity compared to the <b>USB_PPWR</b> used on other NXP LPC parts.
							-	<b>R</b> — Function reserved.
							O	<b>EMC_CS1</b> — LOW active Chip Select 1 signal.
							-	<b>R</b> — Function reserved.
							I	<b>T2_CAP2</b> — Capture input 2 of timer 2.
							-	<b>R</b> — Function reserved.
P6_4	R16	M14	F6	80	<a href="#">[2]</a>	N; PU	I/O	<b>GPIO3[3]</b> — General purpose digital input/output pin.
							I	<b>CTIN_6</b> — SCTimer/PWM input 6. Capture input 1 of timer 3.
							O	<b>U0_TXD</b> — Transmitter output for USART0.
							O	<b>EMC_CAS</b> — LOW active SDRAM Column Address Strobe.
							-	<b>R</b> — Function reserved.
							-	<b>R</b> — Function reserved.
							-	<b>R</b> — Function reserved.
P6_5	P16	L14	F9	82	<a href="#">[2]</a>	N; PU	I/O	<b>GPIO3[4]</b> — General purpose digital input/output pin.
							O	<b>CTOUT_6</b> — SCTimer/PWM output 6. Match output 2 of timer 1.
							I	<b>U0_RXD</b> — Receiver input for USART0.
							O	<b>EMC_RAS</b> — LOW active SDRAM Row Address Strobe.
							-	<b>R</b> — Function reserved.
							-	<b>R</b> — Function reserved.
							-	<b>R</b> — Function reserved.

**Table 3. Pin description ...continued**

LCD, Ethernet, USB0, and USB1 functions are not available on all parts. See [Table 2](#).

Symbol	LBGA256	TFBGA180	TFBGA100	LQFP144		Reset state <a href="#">[1]</a>	Type	Description
P6_6	L14	K12	-	83	<a href="#">[2]</a>	N; PU	I/O	<b>GPIO0[5]</b> — General purpose digital input/output pin.
							O	<b>EMC_BLS1</b> — LOW active Byte Lane select signal 1.
							-	<b>R</b> — Function reserved.
							I	<b>USB0_PWR_FAULT</b> — Port power fault signal indicating overcurrent condition; this signal monitors over-current on the USB bus (external circuitry required to detect over-current condition).
							-	<b>R</b> — Function reserved.
							I	<b>T2_CAP3</b> — Capture input 3 of timer 2.
							-	<b>R</b> — Function reserved.
							-	<b>R</b> — Function reserved.
P6_7	J13	H11	-	85	<a href="#">[2]</a>	N; PU	-	<b>R</b> — Function reserved.
							I/O	<b>EMC_A15</b> — External memory address line 15.
							-	<b>R</b> — Function reserved.
							O	<b>USB0_IND1</b> — USB0 port indicator LED control output 1.
							I/O	<b>GPIO5[15]</b> — General purpose digital input/output pin.
							O	<b>T2_MAT0</b> — Match output 0 of timer 2.
							-	<b>R</b> — Function reserved.
							-	<b>R</b> — Function reserved.
P6_8	H13	F12	-	86	<a href="#">[2]</a>	N; PU	-	<b>R</b> — Function reserved.
							I/O	<b>EMC_A14</b> — External memory address line 14.
							-	<b>R</b> — Function reserved.
							O	<b>USB0_IND0</b> — USB0 port indicator LED control output 0.
							I/O	<b>GPIO5[16]</b> — General purpose digital input/output pin.
							O	<b>T2_MAT1</b> — Match output 1 of timer 2.
							-	<b>R</b> — Function reserved.
							-	<b>R</b> — Function reserved.
P6_9	J15	H13	F8	97	<a href="#">[2]</a>	N; PU	I/O	<b>GPIO3[5]</b> — General purpose digital input/output pin.
							-	<b>R</b> — Function reserved.
							-	<b>R</b> — Function reserved.
							O	<b>EMC_DYCS0</b> — SDRAM chip select 0.
							-	<b>R</b> — Function reserved.
							O	<b>T2_MAT2</b> — Match output 2 of timer 2.
							-	<b>R</b> — Function reserved.
							-	<b>R</b> — Function reserved.

**Table 3. Pin description ...continued**

LCD, Ethernet, USB0, and USB1 functions are not available on all parts. See [Table 2](#).

Symbol	LPGA256	TFBGA180	TFBGA100	LQFP144		Reset state <a href="#">[1]</a>	Type	Description
P6_10	H15	G13	-	100	<a href="#">[2]</a>	N; PU	I/O	<b>GPIO3[6]</b> — General purpose digital input/output pin.
							O	<b>MCABORT</b> — Motor control PWM, LOW-active fast abort.
							-	<b>R</b> — Function reserved.
							O	<b>EMC_DQMOUT1</b> — Data mask 1 used with SDRAM and static devices.
							-	<b>R</b> — Function reserved.
							-	<b>R</b> — Function reserved.
							-	<b>R</b> — Function reserved.
							-	<b>R</b> — Function reserved.
P6_11	H12	F11	C9	101	<a href="#">[2]</a>	N; PU	I/O	<b>GPIO3[7]</b> — General purpose digital input/output pin.
							-	<b>R</b> — Function reserved.
							-	<b>R</b> — Function reserved.
							O	<b>EMC_CKEOUT0</b> — SDRAM clock enable 0.
							-	<b>R</b> — Function reserved.
							O	<b>T2_MAT3</b> — Match output 3 of timer 2.
							-	<b>R</b> — Function reserved.
-	<b>R</b> — Function reserved.							
P6_12	G15	F13	-	103	<a href="#">[2]</a>	N; PU	I/O	<b>GPIO2[8]</b> — General purpose digital input/output pin.
							O	<b>CTOUT_7</b> — SCTimer/PWM output 7. Match output 3 of timer 1.
							-	<b>R</b> — Function reserved.
							O	<b>EMC_DQMOUT0</b> — Data mask 0 used with SDRAM and static devices.
							-	<b>R</b> — Function reserved.
							-	<b>R</b> — Function reserved.
							-	<b>R</b> — Function reserved.
P7_0	B16	B14	-	110	<a href="#">[2]</a>	N; PU	I/O	<b>GPIO3[8]</b> — General purpose digital input/output pin.
							O	<b>CTOUT_14</b> — SCTimer/PWM output 14. Match output 2 of timer 3.
							-	<b>R</b> — Function reserved.
							O	<b>LCD_LE</b> — Line end signal.
							-	<b>R</b> — Function reserved.
							-	<b>R</b> — Function reserved.
							-	<b>R</b> — Function reserved.
							-	<b>R</b> — Function reserved.

**Table 3. Pin description ...continued**

LCD, Ethernet, USB0, and USB1 functions are not available on all parts. See [Table 2](#).

Symbol	LPGA256	TFBGA180	TFBGA100	LQFP144		Reset state <a href="#">[1]</a>	Type	Description
P7_1	C14	C13	-	113	<a href="#">[2]</a>	N; PU	I/O	<b>GPIO3[9]</b> — General purpose digital input/output pin.
							O	<b>CTOUT_15</b> — SCTimer/PWM output 15. Match output 3 of timer 3.
							I/O	<b>I2S0_TX_WS</b> — Transmit Word Select. It is driven by the master and received by the slave. Corresponds to the signal WS in the <i>I<sup>2</sup>S-bus specification</i> .
							O	<b>LCD_VD19</b> — LCD data.
							O	<b>LCD_VD7</b> — LCD data.
							-	<b>R</b> — Function reserved.
							O	<b>U2_TXD</b> — Transmitter output for USART2.
P7_2	A16	A14	-	115	<a href="#">[2]</a>	N; PU	I/O	<b>GPIO3[10]</b> — General purpose digital input/output pin.
							I	<b>CTIN_4</b> — SCTimer/PWM input 4. Capture input 2 of timer 1.
							I/O	<b>I2S0_TX_SDA</b> — I <sup>2</sup> S transmit data. It is driven by the transmitter and read by the receiver. Corresponds to the signal SD in the <i>I<sup>2</sup>S-bus specification</i> .
							O	<b>LCD_VD18</b> — LCD data.
							O	<b>LCD_VD6</b> — LCD data.
							-	<b>R</b> — Function reserved.
							I	<b>U2_RXD</b> — Receiver input for USART2.
P7_3	C13	C12	-	117	<a href="#">[2]</a>	N; PU	I/O	<b>GPIO3[11]</b> — General purpose digital input/output pin.
							I	<b>CTIN_3</b> — SCTimer/PWM input 3. Capture input 1 of timer 1.
							-	<b>R</b> — Function reserved.
							O	<b>LCD_VD17</b> — LCD data.
							O	<b>LCD_VD5</b> — LCD data.
							-	<b>R</b> — Function reserved.
							-	<b>R</b> — Function reserved.
-	<b>R</b> — Function reserved.							

**Table 3. Pin description ...continued**

LCD, Ethernet, USB0, and USB1 functions are not available on all parts. See [Table 2](#).

Symbol	LPGA256	TFBGA180	TFBGA100	LQFP144		Reset state <a href="#">[1]</a>	Type	Description
P7_4	C8	C6	-	132	<a href="#">[5]</a>	N; PU	I/O	<b>GPIO3[12]</b> — General purpose digital input/output pin.
								O <b>CTOUT_13</b> — SCTimer/PWM output 13. Match output 3 of timer 3.
								- <b>R</b> — Function reserved.
								O <b>LCD_VD16</b> — LCD data.
								O <b>LCD_VD4</b> — LCD data.
								O <b>TRACEDATA[0]</b> — Trace data, bit 0.
								- <b>R</b> — Function reserved.
								- <b>R</b> — Function reserved.
								AI <b>ADC0_4</b> — ADC0 and ADC1, input channel 4. Configure the pin as GPIO input and use the ADC function select register in the SCU to select the ADC.
P7_5	A7	A7	-	133	<a href="#">[5]</a>	N; PU	I/O	<b>GPIO3[13]</b> — General purpose digital input/output pin.
								O <b>CTOUT_12</b> — SCTimer/PWM output 12. Match output 3 of timer 3.
								- <b>R</b> — Function reserved.
								O <b>LCD_VD8</b> — LCD data.
								O <b>LCD_VD23</b> — LCD data.
								O <b>TRACEDATA[1]</b> — Trace data, bit 1.
								- <b>R</b> — Function reserved.
								- <b>R</b> — Function reserved.
								AI <b>ADC0_3</b> — ADC0 and ADC1, input channel 3. Configure the pin as GPIO input and use the ADC function select register in the SCU to select the ADC.
P7_6	C7	F5	-	134	<a href="#">[2]</a>	N; PU	I/O	<b>GPIO3[14]</b> — General purpose digital input/output pin.
								O <b>CTOUT_11</b> — SCTimer/PWM output 1. Match output 3 of timer 2.
								- <b>R</b> — Function reserved.
								O <b>LCD_LP</b> — Line synchronization pulse (STN). Horizontal synchronization pulse (TFT).
								- <b>R</b> — Function reserved.
								O <b>TRACEDATA[2]</b> — Trace data, bit 2.
								- <b>R</b> — Function reserved.
								- <b>R</b> — Function reserved.

**Table 3. Pin description ...continued**

LCD, Ethernet, USB0, and USB1 functions are not available on all parts. See [Table 2](#).

Symbol	LBGA256	TFBGA180	TFBGA100	LQFP144		Reset state <a href="#">[1]</a>	Type	Description
P7_7	B6	D5	-	140	<a href="#">[5]</a>	N; PU	I/O	<b>GPIO3[15]</b> — General purpose digital input/output pin.
							O	<b>CTOUT_8</b> — SCTimer/PWM output 8. Match output 0 of timer 2.
							-	<b>R</b> — Function reserved.
							O	<b>LCD_PWR</b> — LCD panel power enable.
							-	<b>R</b> — Function reserved.
							O	<b>TRACEDATA[3]</b> — Trace data, bit 3.
							O	<b>ENET_MDC</b> — Ethernet MIIM clock.
							-	<b>R</b> — Function reserved.
							AI	<b>ADC1_6</b> — ADC1 and ADC0, input channel 6. Configure the pin as GPIO input and use the ADC function select register in the SCU to select the ADC.
							P8_0	E5
I	<b>USB0_PWR_FAULT</b> — Port power fault signal indicating overcurrent condition; this signal monitors over-current on the USB bus (external circuitry required to detect over-current condition).							
-	<b>R</b> — Function reserved.							
I	<b>MC12</b> — Motor control PWM channel 2, input.							
-	<b>R</b> — Function reserved.							
-	<b>R</b> — Function reserved.							
-	<b>R</b> — Function reserved.							
O	<b>T0_MAT0</b> — Match output 0 of timer 0.							
P8_1	H5	G4	-	-	<a href="#">[3]</a>	N; PU	I/O	<b>GPIO4[1]</b> — General purpose digital input/output pin.
							O	<b>USB0_IND1</b> — USB0 port indicator LED control output 1.
							-	<b>R</b> — Function reserved.
							I	<b>MC11</b> — Motor control PWM channel 1, input.
							-	<b>R</b> — Function reserved.
							-	<b>R</b> — Function reserved.
							-	<b>R</b> — Function reserved.
							O	<b>T0_MAT1</b> — Match output 1 of timer 0.
P8_2	K4	J4	-	-	<a href="#">[3]</a>	N; PU	I/O	<b>GPIO4[2]</b> — General purpose digital input/output pin.
							O	<b>USB0_IND0</b> — USB0 port indicator LED control output 0.
							-	<b>R</b> — Function reserved.
							I	<b>MC10</b> — Motor control PWM channel 0, input.
							-	<b>R</b> — Function reserved.
							-	<b>R</b> — Function reserved.
							-	<b>R</b> — Function reserved.
							O	<b>T0_MAT2</b> — Match output 2 of timer 0.

**Table 3. Pin description ...continued**

LCD, Ethernet, USB0, and USB1 functions are not available on all parts. See [Table 2](#).

Symbol	LPGA256	TFBGA180	TFBGA100	LQFP144		Reset state <a href="#">[1]</a>	Type	Description
P8_3	J3	H3	-	-	<a href="#">[2]</a>	N; PU	I/O	<b>GPIO4[3]</b> — General purpose digital input/output pin.
							I/O	<b>USB1_ULPI_D2</b> — ULPI link bidirectional data line 2.
							-	<b>R</b> — Function reserved.
							O	<b>LCD_VD12</b> — LCD data.
							O	<b>LCD_VD19</b> — LCD data.
							-	<b>R</b> — Function reserved.
							-	<b>R</b> — Function reserved.
							O	<b>T0_MAT3</b> — Match output 3 of timer 0.
P8_4	J2	H2	-	-	<a href="#">[2]</a>	N; PU	I/O	<b>GPIO4[4]</b> — General purpose digital input/output pin.
							I/O	<b>USB1_ULPI_D1</b> — ULPI link bidirectional data line 1.
							-	<b>R</b> — Function reserved.
							O	<b>LCD_VD7</b> — LCD data.
							O	<b>LCD_VD16</b> — LCD data.
							-	<b>R</b> — Function reserved.
							-	<b>R</b> — Function reserved.
							I	<b>T0_CAP0</b> — Capture input 0 of timer 0.
P8_5	J1	H1	-	-	<a href="#">[2]</a>	N; PU	I/O	<b>GPIO4[5]</b> — General purpose digital input/output pin.
							I/O	<b>USB1_ULPI_D0</b> — ULPI link bidirectional data line 0.
							-	<b>R</b> — Function reserved.
							O	<b>LCD_VD6</b> — LCD data.
							O	<b>LCD_VD8</b> — LCD data.
							-	<b>R</b> — Function reserved.
							-	<b>R</b> — Function reserved.
							I	<b>T0_CAP1</b> — Capture input 1 of timer 0.
P8_6	K3	J3	-	-	<a href="#">[2]</a>	N; PU	I/O	<b>GPIO4[6]</b> — General purpose digital input/output pin.
							I	<b>USB1_ULPI_NXT</b> — ULPI link NXT signal. Data flow control signal from the PHY.
							-	<b>R</b> — Function reserved.
							O	<b>LCD_VD5</b> — LCD data.
							O	<b>LCD_LP</b> — Line synchronization pulse (STN). Horizontal synchronization pulse (TFT).
							-	<b>R</b> — Function reserved.
							-	<b>R</b> — Function reserved.
							I	<b>T0_CAP2</b> — Capture input 2 of timer 0.

**Table 3. Pin description ...continued**

LCD, Ethernet, USB0, and USB1 functions are not available on all parts. See [Table 2](#).

Symbol	LBGA256	TFBGA180	TFBGA100	LQFP144		Reset state <a href="#">[1]</a>	Type	Description
P8_7	K1	J1	-	-	<a href="#">[2]</a>	N; PU	I/O	<b>GPIO4[7]</b> — General purpose digital input/output pin.
							O	<b>USB1_ULPI_STP</b> — ULPI link STP signal. Asserted to end or interrupt transfers to the PHY.
							-	<b>R</b> — Function reserved.
							O	<b>LCD_VD4</b> — LCD data.
							O	<b>LCD_PWR</b> — LCD panel power enable.
							-	<b>R</b> — Function reserved.
							-	<b>R</b> — Function reserved.
I	<b>T0_CAP3</b> — Capture input 3 of timer 0.							
P8_8	L1	K1	-	-	<a href="#">[2]</a>	N; PU	-	<b>R</b> — Function reserved.
							I	<b>USB1_ULPI_CLK</b> — ULPI link CLK signal. 60 MHz clock generated by the PHY.
							-	<b>R</b> — Function reserved.
							-	<b>R</b> — Function reserved.
							-	<b>R</b> — Function reserved.
							-	<b>R</b> — Function reserved.
							O	<b>CGU_OUT0</b> — CGU spare clock output 0.
O	<b>I2S1_TX_MCLK</b> — I <sup>2</sup> S1 transmit master clock.							
P9_0	T1	P1	-	-	<a href="#">[2]</a>	N; PU	I/O	<b>GPIO4[12]</b> — General purpose digital input/output pin.
							O	<b>MCABORT</b> — Motor control PWM, LOW-active fast abort.
							-	<b>R</b> — Function reserved.
							-	<b>R</b> — Function reserved.
							-	<b>R</b> — Function reserved.
							I	<b>ENET_CRS</b> — Ethernet Carrier Sense (MII interface).
							-	<b>R</b> — Function reserved.
I/O	<b>SSP0_SSEL</b> — Slave Select for SSP0.							
P9_1	N6	P4	-	-	<a href="#">[2]</a>	N; PU	I/O	<b>GPIO4[13]</b> — General purpose digital input/output pin.
							O	<b>MCOA2</b> — Motor control PWM channel 2, output A.
							-	<b>R</b> — Function reserved.
							-	<b>R</b> — Function reserved.
							I/O	<b>I2S0_TX_WS</b> — Transmit Word Select. It is driven by the master and received by the slave. Corresponds to the signal WS in the I <sup>2</sup> S-bus specification.
							I	<b>ENET_RX_ER</b> — Ethernet receive error (MII interface).
							-	<b>R</b> — Function reserved.
I/O	<b>SSP0_MISO</b> — Master In Slave Out for SSP0.							

**Table 3. Pin description ...continued**

LCD, Ethernet, USB0, and USB1 functions are not available on all parts. See [Table 2](#).

Symbol	LPGA256	TFBGA180	TFBGA100	LQFP144		Reset state <a href="#">[1]</a>	Type	Description
P9_2	N8	M6	-	-	<a href="#">[2]</a>	N; PU	I/O	<b>GPIO4[14]</b> — General purpose digital input/output pin.
							O	<b>MCOB2</b> — Motor control PWM channel 2, output B.
							-	<b>R</b> — Function reserved.
							-	<b>R</b> — Function reserved.
							I/O	<b>I2S0_TX_SDA</b> — I <sup>2</sup> S transmit data. It is driven by the transmitter and read by the receiver. Corresponds to the signal SD in the I <sup>2</sup> S-bus specification.
							I	<b>ENET_RXD3</b> — Ethernet receive data 3 (MII interface).
							-	<b>R</b> — Function reserved.
P9_3	M6	P5	-	-	<a href="#">[2]</a>	N; PU	I/O	<b>GPIO4[15]</b> — General purpose digital input/output pin.
							O	<b>MCOA0</b> — Motor control PWM channel 0, output A.
							O	<b>USB1_IND1</b> — USB1 Port indicator LED control output 1.
							-	<b>R</b> — Function reserved.
							-	<b>R</b> — Function reserved.
							I	<b>ENET_RXD2</b> — Ethernet receive data 2 (MII interface).
							-	<b>R</b> — Function reserved.
P9_4	N10	M8	-	-	<a href="#">[2]</a>	N; PU	-	<b>R</b> — Function reserved.
							O	<b>MCOB0</b> — Motor control PWM channel 0, output B.
							O	<b>USB1_IND0</b> — USB1 Port indicator LED control output 0.
							-	<b>R</b> — Function reserved.
							I/O	<b>GPIO5[17]</b> — General purpose digital input/output pin.
							O	<b>ENET_TXD2</b> — Ethernet transmit data 2 (MII interface).
							-	<b>R</b> — Function reserved.
P9_5	M9	L7	-	69	<a href="#">[2]</a>	N; PU	-	<b>R</b> — Function reserved.
							O	<b>MCOA1</b> — Motor control PWM channel 1, output A.
							O	<b>USB1_PPWR</b> — VBUS drive signal (towards external charge pump or power management unit); indicates that VBUS must be driven (active HIGH). Add a pull-down resistor to disable the power switch at reset. This signal has opposite polarity compared to the USB_PPWR used on other NXP LPC parts.
							-	<b>R</b> — Function reserved.
							I/O	<b>GPIO5[18]</b> — General purpose digital input/output pin.
							O	<b>ENET_TXD3</b> — Ethernet transmit data 3 (MII interface).
							-	<b>R</b> — Function reserved.
O	<b>U0_TXD</b> — Transmitter output for USART0.							

**Table 3. Pin description ...continued**

LCD, Ethernet, USB0, and USB1 functions are not available on all parts. See [Table 2](#).

Symbol	LPGA256	TFBGA180	TFBGA100	LQFP144		Reset state <a href="#">[1]</a>	Type	Description
P9_6	L11	M9	-	72	<a href="#">[2]</a>	N; PU	I/O	<b>GPIO4[11]</b> — General purpose digital input/output pin.
							O	<b>MCOB1</b> — Motor control PWM channel 1, output B.
							I	<b>USB1_PWR_FAULT</b> — USB1 Port power fault signal indicating over-current condition; this signal monitors over-current on the USB1 bus (external circuitry required to detect over-current condition).
							-	<b>R</b> — Function reserved.
							-	<b>R</b> — Function reserved.
							I	<b>ENET_COL</b> — Ethernet Collision detect (MII interface).
							-	<b>R</b> — Function reserved.
							I	<b>U0_RXD</b> — Receiver input for USART0.
PA_0	L12	L10	-	-	<a href="#">[2]</a>	N; PU	-	<b>R</b> — Function reserved.
							-	<b>R</b> — Function reserved.
							-	<b>R</b> — Function reserved.
							-	<b>R</b> — Function reserved.
							-	<b>R</b> — Function reserved.
							O	<b>I2S1_RX_MCLK</b> — I <sup>2</sup> S1 receive master clock.
							O	<b>CGU_OUT1</b> — CGU spare clock output 1.
							-	<b>R</b> — Function reserved.
PA_1	J14	H12	-	-	<a href="#">[3]</a>	N; PU	I/O	<b>GPIO4[8]</b> — General purpose digital input/output pin.
							I	<b>QEI_IDX</b> — Quadrature Encoder Interface INDEX input.
							-	<b>R</b> — Function reserved.
							O	<b>U2_TXD</b> — Transmitter output for USART2.
							-	<b>R</b> — Function reserved.
							-	<b>R</b> — Function reserved.
							-	<b>R</b> — Function reserved.
							-	<b>R</b> — Function reserved.
PA_2	K15	J13	-	-	<a href="#">[3]</a>	N; PU	I/O	<b>GPIO4[9]</b> — General purpose digital input/output pin.
							I	<b>QEI_PHB</b> — Quadrature Encoder Interface PHB input.
							-	<b>R</b> — Function reserved.
							I	<b>U2_RXD</b> — Receiver input for USART2.
							-	<b>R</b> — Function reserved.
							-	<b>R</b> — Function reserved.
							-	<b>R</b> — Function reserved.
							-	<b>R</b> — Function reserved.

**Table 3. Pin description ...continued**

LCD, Ethernet, USB0, and USB1 functions are not available on all parts. See [Table 2](#).

Symbol	LBGA256	TFBGA180	TFBGA100	LQFP144		Reset state <a href="#">[1]</a>	Type	Description
PA_3	H11	E10	-	-	<a href="#">[3]</a>	N; PU	I/O	<b>GPIO4[10]</b> — General purpose digital input/output pin.
							I	<b>QEI_PHA</b> — Quadrature Encoder Interface PHA input.
							-	<b>R</b> — Function reserved.
							-	<b>R</b> — Function reserved.
							-	<b>R</b> — Function reserved.
							-	<b>R</b> — Function reserved.
							-	<b>R</b> — Function reserved.
							-	<b>R</b> — Function reserved.
PA_4	G13	E12	-	-	<a href="#">[2]</a>	N; PU	-	<b>R</b> — Function reserved.
							O	<b>CTOUT_9</b> — SCTimer/PWM output 9. Match output 3 of timer 3.
							-	<b>R</b> — Function reserved.
							I/O	<b>EMC_A23</b> — External memory address line 23.
							I/O	<b>GPIO5[19]</b> — General purpose digital input/output pin.
							-	<b>R</b> — Function reserved.
							-	<b>R</b> — Function reserved.
							-	<b>R</b> — Function reserved.
PB_0	B15	D14	-	-	<a href="#">[2]</a>	N; PU	-	<b>R</b> — Function reserved.
							O	<b>CTOUT_10</b> — SCTimer/PWM output 10. Match output 3 of timer 3.
							O	<b>LCD_VD23</b> — LCD data.
							-	<b>R</b> — Function reserved.
							I/O	<b>GPIO5[20]</b> — General purpose digital input/output pin.
							-	<b>R</b> — Function reserved.
							-	<b>R</b> — Function reserved.
							-	<b>R</b> — Function reserved.
PB_1	A14	A13	-	-	<a href="#">[2]</a>	N; PU	-	<b>R</b> — Function reserved.
							I	<b>USB1_ULPI_DIR</b> — ULPI link DIR signal. Controls the ULP data line direction.
							O	<b>LCD_VD22</b> — LCD data.
							-	<b>R</b> — Function reserved.
							I/O	<b>GPIO5[21]</b> — General purpose digital input/output pin.
							O	<b>CTOUT_6</b> — SCTimer/PWM output 6. Match output 2 of timer 1.
							-	<b>R</b> — Function reserved.
							-	<b>R</b> — Function reserved.

**Table 3. Pin description ...continued**

LCD, Ethernet, USB0, and USB1 functions are not available on all parts. See [Table 2](#).

Symbol	LBGA256	TFBGA180	TFBGA100	LQFP144		Reset state <a href="#">[1]</a>	Type	Description
PB_2	B12	B11	-	-	<a href="#">[2]</a>	N; PU	-	R — Function reserved.
							I/O	USB1_ULPI_D7 — ULPI link bidirectional data line 7.
							O	LCD_VD21 — LCD data.
							-	R — Function reserved.
							I/O	GPIO5[22] — General purpose digital input/output pin.
							O	CTOUT_7 — SCTimer/PWM output 7. Match output 3 of timer 1.
							-	R — Function reserved.
PB_3	A13	A12	-	-	<a href="#">[2]</a>	N; PU	-	R — Function reserved.
							I/O	USB1_ULPI_D6 — ULPI link bidirectional data line 6.
							O	LCD_VD20 — LCD data.
							-	R — Function reserved.
							I/O	GPIO5[23] — General purpose digital input/output pin.
							O	CTOUT_8 — SCTimer/PWM output 8. Match output 0 of timer 2.
							-	R — Function reserved.
PB_4	B11	B10	-	-	<a href="#">[2]</a>	N; PU	-	R — Function reserved.
							I/O	USB1_ULPI_D5 — ULPI link bidirectional data line 5.
							O	LCD_VD15 — LCD data.
							-	R — Function reserved.
							I/O	GPIO5[24] — General purpose digital input/output pin.
							I	CTIN_5 — SCTimer/PWM input 5. Capture input 2 of timer 2.
							-	R — Function reserved.
PB_5	A12	A11	-	-	<a href="#">[2]</a>	N; PU	-	R — Function reserved.
							I/O	USB1_ULPI_D4 — ULPI link bidirectional data line 4.
							O	LCD_VD14 — LCD data.
							-	R — Function reserved.
							I/O	GPIO5[25] — General purpose digital input/output pin.
							I	CTIN_7 — SCTimer/PWM input 7.
							O	LCD_PWR — LCD panel power enable.
-	R — Function reserved.							

**Table 3. Pin description ...continued**

LCD, Ethernet, USB0, and USB1 functions are not available on all parts. See [Table 2](#).

Symbol	LBGA256	TFBGA180	TFBGA100	LQFP144		Reset state [1]	Type	Description
PB_6	A6	C5	-	-	[5]	N; PU	-	R — Function reserved.
							I/O	USB1_ULPI_D3 — ULPI link bidirectional data line 3.
							O	LCD_VD13 — LCD data.
							-	R — Function reserved.
							I/O	GPIO5[26] — General purpose digital input/output pin.
							I	CTIN_6 — SCTimer/PWM input 6. Capture input 1 of timer 3.
							O	LCD_VD19 — LCD data.
							-	R — Function reserved.
PC_0	D4	-	-	-	[5]	N; PU	-	R — Function reserved.
							I	USB1_ULPI_CLK — ULPI link CLK signal. 60 MHz clock generated by the PHY.
							-	R — Function reserved.
							I/O	ENET_RX_CLK — Ethernet Receive Clock (MII interface).
							O	LCD_DCLK — LCD panel clock.
							-	R — Function reserved.
							-	R — Function reserved.
							I/O	SD_CLK — SD/MMC card clock.
PC_1	E4	-	-	-	[2]	N; PU	I/O	USB1_ULPI_D7 — ULPI link bidirectional data line 7.
							-	R — Function reserved.
							I	U1_RI — Ring Indicator input for UART1.
							O	ENET_MDC — Ethernet MIIM clock.
							I/O	GPIO6[0] — General purpose digital input/output pin.
							-	R — Function reserved.
							I	T3_CAP0 — Capture input 0 of timer 3.
							O	SD_VOLT0 — SD/MMC bus voltage select output 0.
PC_2	F6	-	-	-	[2]	N; PU	I/O	USB1_ULPI_D6 — ULPI link bidirectional data line 6.
							-	R — Function reserved.
							I	U1_CTS — Clear to Send input for UART1.
							O	ENET_TXD2 — Ethernet transmit data 2 (MII interface).
							I/O	GPIO6[1] — General purpose digital input/output pin.
							-	R — Function reserved.
							-	R — Function reserved.
							O	SD_RST — SD/MMC reset signal for MMC4.4 card.

**Table 3. Pin description ...continued**

LCD, Ethernet, USB0, and USB1 functions are not available on all parts. See [Table 2](#).

Symbol	LPGA256	TFBGA180	TFBGA100	LQFP144		Reset state <sup>[1]</sup>	Type	Description
PC_3	F5	-	-	-		N; PU	I/O	<b>USB1_ULPI_D5</b> — ULPI link bidirectional data line 5.
							-	<b>R</b> — Function reserved.
							O	<b>U1_RTS</b> — Request to Send output for UART1. Can also be configured to be an RS-485/EIA-485 output enable signal for UART1.
							O	<b>ENET_TXD3</b> — Ethernet transmit data 3 (MII interface).
							I/O	<b>GPIO6[2]</b> — General purpose digital input/output pin.
							-	<b>R</b> — Function reserved.
							-	<b>R</b> — Function reserved.
							O	<b>SD_VOLT1</b> — SD/MMC bus voltage select output 1.
PC_4	F4	-	-	-		N; PU	-	<b>R</b> — Function reserved.
							I/O	<b>USB1_ULPI_D4</b> — ULPI link bidirectional data line 4.
							-	<b>R</b> — Function reserved.
								<b>ENET_TX_EN</b> — Ethernet transmit enable (RMII/MII interface).
							I/O	<b>GPIO6[3]</b> — General purpose digital input/output pin.
							-	<b>R</b> — Function reserved.
							I	<b>T3_CAP1</b> — Capture input 1 of timer 3.
							I/O	<b>SD_DAT0</b> — SD/MMC data bus line 0.
PC_5	G4	-	-	-		N; PU	-	<b>R</b> — Function reserved.
							I/O	<b>USB1_ULPI_D3</b> — ULPI link bidirectional data line 3.
							-	<b>R</b> — Function reserved.
							O	<b>ENET_TX_ER</b> — Ethernet Transmit Error (MII interface).
							I/O	<b>GPIO6[4]</b> — General purpose digital input/output pin.
							-	<b>R</b> — Function reserved.
							I	<b>T3_CAP2</b> — Capture input 2 of timer 3.
							I/O	<b>SD_DAT1</b> — SD/MMC data bus line 1.
PC_6	H6	-	-	-		N; PU	-	<b>R</b> — Function reserved.
							I/O	<b>USB1_ULPI_D2</b> — ULPI link bidirectional data line 2.
							-	<b>R</b> — Function reserved.
							I	<b>ENET_RXD2</b> — Ethernet receive data 2 (MII interface).
							I/O	<b>GPIO6[5]</b> — General purpose digital input/output pin.
							-	<b>R</b> — Function reserved.
							I	<b>T3_CAP3</b> — Capture input 3 of timer 3.
							I/O	<b>SD_DAT2</b> — SD/MMC data bus line 2.

**Table 3. Pin description ...continued**

LCD, Ethernet, USB0, and USB1 functions are not available on all parts. See [Table 2](#).

Symbol	LBGA256	TFBGA180	TFBGA100	LQFP144		Reset state <a href="#">[1]</a>	Type	Description
PC_7	G5	-	-	-	<a href="#">[2]</a>	N; PU	-	R — Function reserved.
							I/O	USB1_ULPI_D1 — ULPI link bidirectional data line 1.
							-	R — Function reserved.
							I	ENET_RXD3 — Ethernet receive data 3 (MII interface).
							I/O	GPIO6[6] — General purpose digital input/output pin.
							-	R — Function reserved.
							O	T3_MAT0 — Match output 0 of timer 3.
PC_8	N4	-	-	-	<a href="#">[2]</a>	N; PU	-	R — Function reserved.
							I/O	USB1_ULPI_D0 — ULPI link bidirectional data line 0.
							-	R — Function reserved.
							I	ENET_RX_DV — Ethernet Receive Data Valid (RMII/MII interface).
							I/O	GPIO6[7] — General purpose digital input/output pin.
							-	R — Function reserved.
							O	T3_MAT1 — Match output 1 of timer 3.
PC_9	K2	-	-	-	<a href="#">[2]</a>	N; PU	-	R — Function reserved.
							I	USB1_ULPI_NXT — ULPI link NXT signal. Data flow control signal from the PHY.
							-	R — Function reserved.
							I	ENET_RX_ER — Ethernet receive error (MII interface).
							I/O	GPIO6[8] — General purpose digital input/output pin.
							-	R — Function reserved.
							O	T3_MAT2 — Match output 2 of timer 3.
PC_10	M5	-	-	-	<a href="#">[2]</a>	N; PU	-	R — Function reserved.
							O	USB1_ULPI_STP — ULPI link STP signal. Asserted to end or interrupt transfers to the PHY.
							I	U1_DSR — Data Set Ready input for UART1.
							-	R — Function reserved.
							I/O	GPIO6[9] — General purpose digital input/output pin.
							-	R — Function reserved.
							O	T3_MAT3 — Match output 3 of timer 3.
I/O	SD_CMD — SD/MMC command signal.							

**Table 3. Pin description ...continued**

LCD, Ethernet, USB0, and USB1 functions are not available on all parts. See [Table 2](#).

Symbol	LPGA256	TFBGA180	TFBGA100	LQFP144		Reset state [1]	Type	Description
PC_11	L5	-	-	-	[2]	N; PU	-	R — Function reserved.
							I	USB1_ULPI_DIR — ULPI link DIR signal. Controls the ULP data line direction.
							I	U1_DCD — Data Carrier Detect input for UART1.
							-	R — Function reserved.
							I/O	GPIO6[10] — General purpose digital input/output pin.
							-	R — Function reserved.
							-	R — Function reserved.
PC_12	L6	-	-	-	[2]	N; PU	-	R — Function reserved.
							-	R — Function reserved.
							O	U1_DTR — Data Terminal Ready output for UART1. Can also be configured to be an RS-485/EIA-485 output enable signal for UART1.
							-	R — Function reserved.
							I/O	GPIO6[11] — General purpose digital input/output pin.
							-	R — Function reserved.
							I/O	I2S0_TX_SDA — I <sup>2</sup> S transmit data. It is driven by the transmitter and read by the receiver. Corresponds to the signal SD in the I <sup>2</sup> S-bus specification.
PC_13	M1	-	-	-	[2]	N; PU	-	R — Function reserved.
							-	R — Function reserved.
							O	U1_TXD — Transmitter output for UART1.
							-	R — Function reserved.
							I/O	GPIO6[12] — General purpose digital input/output pin.
							-	R — Function reserved.
							I/O	I2S0_TX_WS — Transmit Word Select. It is driven by the master and received by the slave. Corresponds to the signal WS in the I <sup>2</sup> S-bus specification.
PC_14	N1	-	-	-	[2]	N; PU	-	R — Function reserved.
							-	R — Function reserved.
							I	U1_RXD — Receiver input for UART1.
							-	R — Function reserved.
							I/O	GPIO6[13] — General purpose digital input/output pin.
							-	R — Function reserved.
							O	ENET_TX_ER — Ethernet Transmit Error (MII interface).
I/O	SD_DAT7 — SD/MMC data bus line 7.							

**Table 3. Pin description ...continued**

LCD, Ethernet, USB0, and USB1 functions are not available on all parts. See [Table 2](#).

Symbol	LPGA256	TFBGA180	TFBGA100	LQFP144		Reset state <a href="#">[1]</a>	Type	Description
PD_0	N2	-	-	-	<a href="#">[2]</a>	N; PU	-	R — Function reserved.
							O	CTOUT_15 — SCTimer/PWM output 15. Match output 3 of timer 3.
							O	EMC_DQMOUT2 — Data mask 2 used with SDRAM and static devices.
							-	R — Function reserved.
							I/O	GPIO6[14] — General purpose digital input/output pin.
							-	R — Function reserved.
							-	R — Function reserved.
PD_1	P1	-	-	-	<a href="#">[2]</a>	N; PU	-	R — Function reserved.
							-	R — Function reserved.
							O	EMC_CKEOUT2 — SDRAM clock enable 2.
							-	R — Function reserved.
							I/O	GPIO6[15] — General purpose digital input/output pin.
							O	SD_POW — SD/MMC power monitor output.
							-	R — Function reserved.
PD_2	R1	-	-	-	<a href="#">[2]</a>	N; PU	-	R — Function reserved.
							O	CTOUT_7 — SCTimer/PWM output 7. Match output 3 of timer 1.
							I/O	EMC_D16 — External memory data line 16.
							-	R — Function reserved.
							I/O	GPIO6[16] — General purpose digital input/output pin.
							-	R — Function reserved.
							-	R — Function reserved.
PD_3	P4	-	-	-	<a href="#">[2]</a>	N; PU	-	R — Function reserved.
							O	CTOUT_6 — SCTimer/PWM output 7. Match output 2 of timer 1.
							I/O	EMC_D17 — External memory data line 17.
							-	R — Function reserved.
							I/O	GPIO6[17] — General purpose digital input/output pin.
							-	R — Function reserved.
							-	R — Function reserved.

**Table 3. Pin description ...continued**

LCD, Ethernet, USB0, and USB1 functions are not available on all parts. See [Table 2](#).

Symbol	LBGA256	TFBGA180	TFBGA100	LQFP144		Reset state <a href="#">[1]</a>	Type	Description
PD_4	T2	-	-	-	<a href="#">[2]</a>	N; PU	-	R — Function reserved.
							O	CTOUT_8 — SCTimer/PWM output 8. Match output 0 of timer 2.
							I/O	EMC_D18 — External memory data line 18.
							-	R — Function reserved.
							I/O	GPIO6[18] — General purpose digital input/output pin.
							-	R — Function reserved.
							-	R — Function reserved.
PD_5	P6	-	-	-	<a href="#">[2]</a>	N; PU	-	R — Function reserved.
							O	CTOUT_9 — SCTimer/PWM output 9. Match output 3 of timer 3.
							I/O	EMC_D19 — External memory data line 19.
							-	R — Function reserved.
							I/O	GPIO6[19] — General purpose digital input/output pin.
							-	R — Function reserved.
							-	R — Function reserved.
PD_6	R6	-	-	-	<a href="#">[2]</a>	N; PU	-	R — Function reserved.
							O	CTOUT_10 — SCTimer/PWM output 10. Match output 3 of timer 3.
							I/O	EMC_D20 — External memory data line 20.
							-	R — Function reserved.
							I/O	GPIO6[20] — General purpose digital input/output pin.
							-	R — Function reserved.
							-	R — Function reserved.
PD_7	T6	-	-	-	<a href="#">[2]</a>	N; PU	-	R — Function reserved.
							I	CTIN_5 — SCTimer/PWM input 5. Capture input 2 of timer 2.
							I/O	EMC_D21 — External memory data line 21.
							-	R — Function reserved.
							I/O	GPIO6[21] — General purpose digital input/output pin.
							-	R — Function reserved.
							-	R — Function reserved.

**Table 3. Pin description ...continued**

LCD, Ethernet, USB0, and USB1 functions are not available on all parts. See [Table 2](#).

Symbol	LPGA256	TFBGA180	TFBGA100	LQFP144		Reset state <a href="#">[1]</a>	Type	Description
PD_8	P8	-	-	-	<a href="#">[2]</a>	N; PU	-	R — Function reserved.
							I	CTIN_6 — SCTimer/PWM input 6. Capture input 1 of timer 3.
							I/O	EMC_D22 — External memory data line 22.
							-	R — Function reserved.
							I/O	GPIO6[22] — General purpose digital input/output pin.
							-	R — Function reserved.
							-	R — Function reserved.
PD_9	T11	-	-	-	<a href="#">[2]</a>	N; PU	-	R — Function reserved.
							O	CTOUT_13 — SCTimer/PWM output 13. Match output 3 of timer 3.
							I/O	EMC_D23 — External memory data line 23.
							-	R — Function reserved.
							I/O	GPIO6[23] — General purpose digital input/output pin.
							-	R — Function reserved.
PD_10	P11	-	-	-	<a href="#">[2]</a>	N; PU	-	R — Function reserved.
							I	CTIN_1 — SCTimer/PWM input 1. Capture input 1 of timer 0. Capture input 1 of timer 2.
							O	EMC_BLS3 — LOW active Byte Lane select signal 3.
							-	R — Function reserved.
							I/O	GPIO6[24] — General purpose digital input/output pin.
							-	R — Function reserved.
PD_11	N9	M7	-	-	<a href="#">[2]</a>	N; PU	-	R — Function reserved.
							-	R — Function reserved.
							O	EMC_CS3 — LOW active Chip Select 3 signal.
							-	R — Function reserved.
							I/O	GPIO6[25] — General purpose digital input/output pin.
							I/O	USB1_ULPI_D0 — ULPI link bidirectional data line 0.
							O	CTOUT_14 — SCTimer/PWM output 14. Match output 2 of timer 3.
-	R — Function reserved.							

**Table 3. Pin description ...continued**

LCD, Ethernet, USB0, and USB1 functions are not available on all parts. See [Table 2](#).

Symbol	LBGA256	TFBGA180	TFBGA100	LQFP144		Reset state <a href="#">[1]</a>	Type	Description
PD_12	N11	P9	-	-	<a href="#">[2]</a>	N; PU	-	R — Function reserved.
							-	R — Function reserved.
							O	<b>EMC_CS2</b> — LOW active Chip Select 2 signal.
							-	R — Function reserved.
							I/O	<b>GPIO6[26]</b> — General purpose digital input/output pin.
							-	R — Function reserved.
							O	<b>CTOUT_10</b> — SCTimer/PWM output 10. Match output 3 of timer 3.
PD_13	T14	-	-	-	<a href="#">[2]</a>	N; PU	-	R — Function reserved.
							I	<b>CTIN_0</b> — SCTimer/PWM input 0. Capture input 0 of timer 0, 1, 2, 3.
							O	<b>EMC_BLS2</b> — LOW active Byte Lane select signal 2.
							-	R — Function reserved.
							I/O	<b>GPIO6[27]</b> — General purpose digital input/output pin.
							-	R — Function reserved.
							O	<b>CTOUT_13</b> — SCTimer/PWM output 13. Match output 3 of timer 3.
PD_14	R13	L11	-	-	<a href="#">[2]</a>	N; PU	-	R — Function reserved.
							-	R — Function reserved.
							O	<b>EMC_DYCS2</b> — SDRAM chip select 2.
							-	R — Function reserved.
							I/O	<b>GPIO6[28]</b> — General purpose digital input/output pin.
							-	R — Function reserved.
							O	<b>CTOUT_11</b> — SCTimer/PWM output 11. Match output 3 of timer 2.
PD_15	T15	P13	-	-	<a href="#">[2]</a>	N; PU	-	R — Function reserved.
							-	R — Function reserved.
							I/O	<b>EMC_A17</b> — External memory address line 17.
							-	R — Function reserved.
							I/O	<b>GPIO6[29]</b> — General purpose digital input/output pin.
							I	<b>SD_WP</b> — SD/MMC card write protect input.
							O	<b>CTOUT_8</b> — SCTimer/PWM output 8. Match output 0 of timer 2.
-	R — Function reserved.							

**Table 3. Pin description ...continued**

LCD, Ethernet, USB0, and USB1 functions are not available on all parts. See [Table 2](#).

Symbol	LBGA256	TFBGA180	TFBGA100	LQFP144		Reset state <a href="#">[1]</a>	Type	Description
PD_16	R14	P12	-	-	<a href="#">[2]</a>	N; PU	-	R — Function reserved.
							-	R — Function reserved.
							I/O	EMC_A16 — External memory address line 16.
							-	R — Function reserved.
							I/O	GPIO6[30] — General purpose digital input/output pin.
							O	SD_VOLT2 — SD/MMC bus voltage select output 2.
							O	CTOUT_12 — SCTimer/PWM output 12. Match output 3 of timer 3.
							-	R — Function reserved.
PE_0	P14	N12	-	-	<a href="#">[2]</a>	N; PU	-	R — Function reserved.
							-	R — Function reserved.
							-	R — Function reserved.
							I/O	EMC_A18 — External memory address line 18.
							I/O	GPIO7[0] — General purpose digital input/output pin.
							O	CAN1_TD — CAN1 transmitter output.
							-	R — Function reserved.
							-	R — Function reserved.
PE_1	N14	M12	-	-	<a href="#">[2]</a>	N; PU	-	R — Function reserved.
							-	R — Function reserved.
							-	R — Function reserved.
							I/O	EMC_A19 — External memory address line 19.
							I/O	GPIO7[1] — General purpose digital input/output pin.
							I	CAN1_RD — CAN1 receiver input.
							-	R — Function reserved.
							-	R — Function reserved.
PE_2	M14	L12	-	-	<a href="#">[2]</a>	N; PU	I	ADCTRIG0 — ADC trigger input 0.
							I	CAN0_RD — CAN receiver input.
							-	R — Function reserved.
							I/O	EMC_A20 — External memory address line 20.
							I/O	GPIO7[2] — General purpose digital input/output pin.
							-	R — Function reserved.
							-	R — Function reserved.
							-	R — Function reserved.

**Table 3. Pin description ...continued**

LCD, Ethernet, USB0, and USB1 functions are not available on all parts. See [Table 2](#).

Symbol	LBGA256	TFBGA180	TFBGA100	LQFP144		Reset state <a href="#">[1]</a>	Type	Description
PE_3	K12	K10	-	-	<a href="#">[2]</a>	N; PU	-	R — Function reserved.
							O	CAN0_TD — CAN transmitter output.
							I	ADCTRIG1 — ADC trigger input 1.
							I/O	EMC_A21 — External memory address line 21.
							I/O	GPIO7[3] — General purpose digital input/output pin.
							-	R — Function reserved.
							-	R — Function reserved.
							-	R — Function reserved.
PE_4	K13	J11	-	-	<a href="#">[2]</a>	N; PU	-	R — Function reserved.
							I	NMI — External interrupt input to NMI.
							-	R — Function reserved.
							I/O	EMC_A22 — External memory address line 22.
							I/O	GPIO7[4] — General purpose digital input/output pin.
							-	R — Function reserved.
PE_5	N16	-	-	-	<a href="#">[2]</a>	N; PU	-	R — Function reserved.
							O	CTOUT_3 — SCTimer/PWM output 3. Match output 3 of timer 0.
							O	U1_RTS — Request to Send output for UART1. Can also be configured to be an RS-485/EIA-485 output enable signal for UART1.
							I/O	EMC_D24 — External memory data line 24.
							I/O	GPIO7[5] — General purpose digital input/output pin.
							-	R — Function reserved.
							-	R — Function reserved.
PE_6	M16	-	-	-	<a href="#">[2]</a>	N; PU	-	R — Function reserved.
							O	CTOUT_2 — SCTimer/PWM output 2. Match output 2 of timer 0.
							I	U1_RI — Ring Indicator input for UART1.
							I/O	EMC_D25 — External memory data line 25.
							I/O	GPIO7[6] — General purpose digital input/output pin.
							-	R — Function reserved.
							-	R — Function reserved.
-	R — Function reserved.							

**Table 3. Pin description ...continued**

LCD, Ethernet, USB0, and USB1 functions are not available on all parts. See [Table 2](#).

Symbol	LBGA256	TFBGA180	TFBGA100	LQFP144		Reset state <a href="#">[1]</a>	Type	Description
PE_7	F15	-	-	-	<a href="#">[2]</a>	N; PU	-	R — Function reserved.
							O	CTOUT_5 — SCTimer/PWM output 5. Match output 3 of timer 3.
							I	U1_CTS — Clear to Send input for UART1.
							I/O	EMC_D26 — External memory data line 26.
							I/O	GPIO7[7] — General purpose digital input/output pin.
							-	R — Function reserved.
							-	R — Function reserved.
PE_8	F14	-	-	-	<a href="#">[2]</a>	N; PU	-	R — Function reserved.
							O	CTOUT_4 — SCTimer/PWM output 4. Match output 3 of timer 3.
							I	U1_DSR — Data Set Ready input for UART1.
							I/O	EMC_D27 — External memory data line 27.
							I/O	GPIO7[8] — General purpose digital input/output pin.
							-	R — Function reserved.
							-	R — Function reserved.
PE_9	E16	-	-	-	<a href="#">[2]</a>	N; PU	-	R — Function reserved.
							I	CTIN_4 — SCTimer/PWM input 4. Capture input 2 of timer 1.
							I	U1_DCD — Data Carrier Detect input for UART1.
							I/O	EMC_D28 — External memory data line 28.
							I/O	GPIO7[9] — General purpose digital input/output pin.
							-	R — Function reserved.
							-	R — Function reserved.
PE_10	E14	-	-	-	<a href="#">[2]</a>	N; PU	-	R — Function reserved.
							I	CTIN_3 — SCTimer/PWM input 3. Capture input 1 of timer 1.
							O	U1_DTR — Data Terminal Ready output for UART1. Can also be configured to be an RS-485/EIA-485 output enable signal for UART1.
							I/O	EMC_D29 — External memory data line 29.
							I/O	GPIO7[10] — General purpose digital input/output pin.
							-	R — Function reserved.
							-	R — Function reserved.
-	R — Function reserved.							

**Table 3. Pin description ...continued**

LCD, Ethernet, USB0, and USB1 functions are not available on all parts. See [Table 2](#).

Symbol	LPGA256	TFBGA180	TFBGA100	LQFP144		Reset state <a href="#">[1]</a>	Type	Description
PE_11	D16	-	-	-	<a href="#">[2]</a>	N; PU	-	R — Function reserved.
							O	CTOUT_12 — SCTimer/PWM output 12. Match output 3 of timer 3.
							O	U1_TXD — Transmitter output for UART1.
							I/O	EMC_D30 — External memory data line 30.
							I/O	GPIO7[11] — General purpose digital input/output pin.
							-	R — Function reserved.
							-	R — Function reserved.
PE_12	D15	-	-	-	<a href="#">[2]</a>	N; PU	-	R — Function reserved.
							O	CTOUT_11 — SCTimer/PWM output 11. Match output 3 of timer 2.
							I	U1_RXD — Receiver input for UART1.
							I/O	EMC_D31 — External memory data line 31.
							I/O	GPIO7[12] — General purpose digital input/output pin.
							-	R — Function reserved.
							-	R — Function reserved.
PE_13	G14	-	-	-	<a href="#">[2]</a>	N; PU	-	R — Function reserved.
							O	CTOUT_14 — SCTimer/PWM output 14. Match output 2 of timer 3.
							I/O	I2C1_SDA — I <sup>2</sup> C1 data input/output (this pin does not use a specialized I2C pad).
							O	EMC_DQMOUT3 — Data mask 3 used with SDRAM and static devices.
							I/O	GPIO7[13] — General purpose digital input/output pin.
							-	R — Function reserved.
							-	R — Function reserved.
PE_14	C15	-	-	-	<a href="#">[2]</a>	N; PU	-	R — Function reserved.
							-	R — Function reserved.
							-	R — Function reserved.
							O	EMC_DYCS3 — SDRAM chip select 3.
							I/O	GPIO7[14] — General purpose digital input/output pin.
							-	R — Function reserved.
							-	R — Function reserved.
-	R — Function reserved.							

**Table 3. Pin description ...continued**

LCD, Ethernet, USB0, and USB1 functions are not available on all parts. See [Table 2](#).

Symbol	LPGA256	TFBGA180	TFBGA100	LQFP144		Reset state <a href="#">[1]</a>	Type	Description
PE_15	E13	-	-	-	<a href="#">[2]</a>	N; PU	-	R — Function reserved.
							O	CTOUT_0 — SCTimer/PWM output 0. Match output 0 of timer 0.
							I/O	I2C1_SCL — I <sup>2</sup> C1 clock input/output (this pin does not use a specialized I2C pad).
							O	EMC_CKEOUT3 — SDRAM clock enable 3.
							I/O	GPIO7[15] — General purpose digital input/output pin.
							-	R — Function reserved.
							-	R — Function reserved.
PF_0	D12	-	-	-	<a href="#">[2]</a>	OL; PU	I/O	SSP0_SCK — Serial clock for SSP0.
							I	GP_CLKIN — General-purpose clock input to the CGU.
							-	R — Function reserved.
							-	R — Function reserved.
							-	R — Function reserved.
							-	R — Function reserved.
							O	I2S1_TX_MCLK — I <sup>2</sup> S1 transmit master clock.
PF_1	E11	-	-	-	<a href="#">[2]</a>	N; PU	-	R — Function reserved.
							-	R — Function reserved.
							I/O	SSP0_SSEL — Slave Select for SSP0.
							-	R — Function reserved.
							I/O	GPIO7[16] — General purpose digital input/output pin.
							-	R — Function reserved.
							-	R — Function reserved.
PF_2	D11	-	-	-	<a href="#">[2]</a>	N; PU	-	R — Function reserved.
							O	U3_TXD — Transmitter output for USART3.
							I/O	SSP0_MISO — Master In Slave Out for SSP0.
							-	R — Function reserved.
							I/O	GPIO7[17] — General purpose digital input/output pin.
							-	R — Function reserved.
							-	R — Function reserved.
-	R — Function reserved.							

**Table 3. Pin description ...continued**

LCD, Ethernet, USB0, and USB1 functions are not available on all parts. See [Table 2](#).

Symbol	LBGA256	TFBGA180	TFBGA100	LQFP144		Reset state <a href="#">[1]</a>	Type	Description
PF_3	E10	-	-	-	<a href="#">[2]</a>	N; PU	-	R — Function reserved.
							I	U3_RXD — Receiver input for USART3.
							I/O	SSP0_MOSI — Master Out Slave in for SSP0.
							-	R — Function reserved.
							I/O	GPIO7[18] — General purpose digital input/output pin.
							-	R — Function reserved.
							-	R — Function reserved.
							-	R — Function reserved.
PF_4	D10	D6	H4	120	<a href="#">[2]</a>	OL; PU	I/O	SSP1_SCK — Serial clock for SSP1.
							I	GP_CLKIN — General-purpose clock input to the CGU.
							O	TRACECLK — Trace clock.
							-	R — Function reserved.
							-	R — Function reserved.
							-	R — Function reserved.
							O	I2S0_TX_MCLK — I <sup>2</sup> S transmit master clock.
							I/O	I2S0_RX_SCK — I <sup>2</sup> S receive clock. It is driven by the master and received by the slave. Corresponds to the signal SCK in the <i>I<sup>2</sup>S-bus specification</i> .
PF_5	E9	-	-	-	<a href="#">[5]</a>	N; PU	-	R — Function reserved.
							I/O	U3_UCLK — Serial clock input/output for USART3 in synchronous mode.
							I/O	SSP1_SSEL — Slave Select for SSP1.
							O	TRACEDATA[0] — Trace data, bit 0.
							I/O	GPIO7[19] — General purpose digital input/output pin.
							-	R — Function reserved.
							-	R — Function reserved.
							-	R — Function reserved.
	AI	ADC1_4 — ADC1 and ADC0, input channel 4. Configure the pin as GPIO input and use the ADC function select register in the SCU to select the ADC.						

**Table 3. Pin description ...continued**

LCD, Ethernet, USB0, and USB1 functions are not available on all parts. See [Table 2](#).

Symbol	LPGA256	TFBGA180	TFBGA100	LQFP144		Reset state [1]	Type	Description
PF_6	E7	-	-	-	[5]	N; PU	-	R — Function reserved.
							I/O	U3_DIR — RS-485/EIA-485 output enable/direction control for USART3.
							I/O	SSP1_MISO — Master In Slave Out for SSP1.
							O	TRACEDATA[1] — Trace data, bit 1.
							I/O	GPIO7[20] — General purpose digital input/output pin.
							-	R — Function reserved.
							-	R — Function reserved.
							I/O	I2S1_TX_SDA — I <sup>2</sup> S1 transmit data. It is driven by the transmitter and read by the receiver. Corresponds to the signal SD in the I <sup>2</sup> S-bus specification.
AI	ADC1_3 — ADC1 and ADC0, input channel 3. Configure the pin as GPIO input and use the ADC function select register in the SCU to select the ADC.							
PF_7	B7	-	-	-	[5]	N; PU	-	R — Function reserved.
							I/O	U3_BAUD — Baud pin USART3.
							I/O	SSP1_MOSI — Master Out Slave in for SSP1.
							O	TRACEDATA[2] — Trace data, bit 2.
							I/O	GPIO7[21] — General purpose digital input/output pin.
							-	R — Function reserved.
							-	R — Function reserved.
							I/O	I2S1_TX_WS — Transmit Word Select. It is driven by the master and received by the slave. Corresponds to the signal WS in the I <sup>2</sup> S-bus specification.
AI/ O	ADC1_7 — ADC1 and ADC0, input channel 7 or band gap output. Configure the pin as GPIO input and use the ADC function select register in the SCU to select the ADC.							
PF_8	E6	-	-	-	[5]	N; PU	-	R — Function reserved.
							I/O	U0_UCLK — Serial clock input/output for USART0 in synchronous mode.
							I	CTIN_2 — SCTimer/PWM input 2. Capture input 2 of timer 0.
							O	TRACEDATA[3] — Trace data, bit 3.
							I/O	GPIO7[22] — General purpose digital input/output pin.
							-	R — Function reserved.
							-	R — Function reserved.
							-	R — Function reserved.
AI	ADC0_2 — ADC0 and ADC1, input channel 2. Configure the pin as GPIO input and use the ADC function select register in the SCU to select the ADC.							

**Table 3. Pin description ...continued**

LCD, Ethernet, USB0, and USB1 functions are not available on all parts. See [Table 2](#).

Symbol	LPGA256	TFBGA180	TFBGA100	LQFP144		Reset state [1]	Type	Description
PF_9	D6	-	-	-	[5]	N; PU	-	R — Function reserved.
							I/O	U0_DIR — RS-485/EIA-485 output enable/direction control for USART0.
							O	CTOUT_1 — SCTimer/PWM output 1. Match output 3 of timer 3.
							-	R — Function reserved.
							I/O	GPIO7[23] — General purpose digital input/output pin.
							-	R — Function reserved.
							-	R — Function reserved.
							AI	ADC1_2 — ADC1 and ADC0, input channel 2. Configure the pin as GPIO input and use the ADC function select register in the SCU to select the ADC.
PF_10	A3	-	-	-	[5]	N; PU	-	R — Function reserved.
							O	U0_TXD — Transmitter output for USART0.
							-	R — Function reserved.
							-	R — Function reserved.
							I/O	GPIO7[24] — General purpose digital input/output pin.
							-	R — Function reserved.
							I	SD_WP — SD/MMC card write protect input.
							AI	ADC0_5 — ADC0 and ADC1, input channel 5. Configure the pin as GPIO input and use the ADC function select register in the SCU to select the ADC.
PF_11	A2	-	-	-	[5]	N; PU	-	R — Function reserved.
							I	U0_RXD — Receiver input for USART0.
							-	R — Function reserved.
							-	R — Function reserved.
							I/O	GPIO7[25] — General purpose digital input/output pin.
							-	R — Function reserved.
							O	SD_VOLT2 — SD/MMC bus voltage select output 2.
							AI	ADC1_5 — ADC1 and ADC0, input channel 5. Configure the pin as GPIO input and use the ADC function select register in the SCU to select the ADC.

**Table 3. Pin description ...continued**

LCD, Ethernet, USB0, and USB1 functions are not available on all parts. See [Table 2](#).

Symbol	LPGA256	TFBGA180	TFBGA100	LQFP144		Reset state <sup>[1]</sup>	Type	Description
<b>Clock pins</b>								
CLK0	N5	M4	K3	45	<sup>[4]</sup>	O; PU	O	<b>EMC_CLK0</b> — SDRAM clock 0.
							O	<b>CLKOUT</b> — Clock output pin.
							-	<b>R</b> — Function reserved.
							-	<b>R</b> — Function reserved.
							I/O	<b>SD_CLK</b> — SD/MMC card clock.
							O	<b>EMC_CLK01</b> — SDRAM clock 0 and clock 1 combined.
							I/O	<b>SSP1_SCK</b> — Serial clock for SSP1.
CLK1	T10	-	-	-	<sup>[4]</sup>	O; PU	O	<b>EMC_CLK1</b> — SDRAM clock 1.
							O	<b>CLKOUT</b> — Clock output pin.
							-	<b>R</b> — Function reserved.
							-	<b>R</b> — Function reserved.
							-	<b>R</b> — Function reserved.
							O	<b>CGU_OUT0</b> — CGU spare clock output 0.
							O	<b>I2S1_TX_MCLK</b> — I <sup>2</sup> S1 transmit master clock.
CLK2	D14	P10	K6	99	<sup>[4]</sup>	O; PU	O	<b>EMC_CLK3</b> — SDRAM clock 3.
							O	<b>CLKOUT</b> — Clock output pin.
							-	<b>R</b> — Function reserved.
							-	<b>R</b> — Function reserved.
							I/O	<b>SD_CLK</b> — SD/MMC card clock.
							O	<b>EMC_CLK23</b> — SDRAM clock 2 and clock 3 combined.
							O	<b>I2S0_TX_MCLK</b> — I <sup>2</sup> S transmit master clock.
I/O	<b>I2S1_RX_SCK</b> — Receive Clock. It is driven by the master and received by the slave. Corresponds to the signal SCK in the I <sup>2</sup> S-bus specification.							
CLK3	P12	-	-	-	<sup>[4]</sup>	O; PU	O	<b>EMC_CLK2</b> — SDRAM clock 2.
							O	<b>CLKOUT</b> — Clock output pin.
							-	<b>R</b> — Function reserved.
							-	<b>R</b> — Function reserved.
							-	<b>R</b> — Function reserved.
							O	<b>CGU_OUT1</b> — CGU spare clock output 1.
							I/O	<b>I2S1_RX_SCK</b> — Receive Clock. It is driven by the master and received by the slave. Corresponds to the signal SCK in the I <sup>2</sup> S-bus specification.

**Table 3. Pin description ...continued**LCD, Ethernet, USB0, and USB1 functions are not available on all parts. See [Table 2](#).

Symbol	LBGA256	TFBGA180	TFBGA100	LQFP144		Reset state <sup>[1]</sup>	Type	Description
<b>Debug pins</b>								
DBGEN	L4	K4	A6	28	<sup>[2]</sup>	I; PU	I	JTAG interface control signal. Also used for boundary scan. To use the part in functional mode, connect this pin in one of the following ways: <ul style="list-style-type: none"> <li>• Leave DBGEN open. The DBGEN pin is pulled up internally by a 50 kΩ resistor.</li> <li>• Tie DBGEN to VDDIO.</li> <li>• Pull DBGEN up to VDDIO with an external pull-up resistor.</li> </ul>
TCK/SWDCLK	J5	G5	H2	27	<sup>[2]</sup>	I; F	I	Test Clock for JTAG interface (default) or Serial Wire (SW) clock.
$\overline{\text{TRST}}$	M4	L4	B4	29	<sup>[2]</sup>	I; PU	I	Test Reset for JTAG interface.
TMS/SWDIO	K6	K5	C4	30	<sup>[2]</sup>	I; PU	I	Test Mode Select for JTAG interface (default) or SW debug data input/output.
TDO/SWO	K5	J5	H3	31	<sup>[2]</sup>	O	O	Test Data Out for JTAG interface (default) or SW trace output.
TDI	J4	H4	G3	26	<sup>[2]</sup>	I; PU	I	Test Data In for JTAG interface.
<b>USB0 pins</b>								
USB0_DP	F2	E2	E1	18	<sup>[6]</sup>	-	I/O	USB0 bidirectional D+ line. Do not add an external series resistor.
USB0_DM	G2	F2	E2	20	<sup>[6]</sup>	-	I/O	USB0 bidirectional D- line. Do not add an external series resistor.
USB0_VBUS	F1	E1	E3	21	<sup>[6]</sup> <sup>[7]</sup>	-	I/O	VBUS pin (power on USB cable). This pin includes an internal pull-down resistor of 64 kΩ (typical) ± 16 kΩ.
USB0_ID	H2	G2	F1	22	<sup>[8]</sup>	-	I	Indicates to the transceiver whether connected as an A-device (USB0_ID LOW) or B-device (USB0_ID HIGH). For OTG, this pin has an internal pull-up resistor.
USB0_RREF	H1	G1	F3	24	<sup>[8]</sup>	-		12.0 kΩ (accuracy 1 %) on-board resistor to ground for current reference.
<b>USB1 pins</b>								
USB1_DP	F12	D11	E9	89	<sup>[9]</sup>	-	I/O	USB1 bidirectional D+ line. Add an external series resistor of 33 Ω +/- 2 %.
USB1_DM	G12	E11	E10	90	<sup>[9]</sup>	-	I/O	USB1 bidirectional D- line. Add an external series resistor of 33 Ω +/- 2 %.
<b>I<sup>2</sup>C-bus pins</b>								
I2C0_SCL	L15	K13	D6	92	<sup>[10]</sup>	I; F	I/O	I <sup>2</sup> C clock input/output. Open-drain output (for I <sup>2</sup> C-bus compliance).
I2C0_SDA	L16	K14	E6	93	<sup>[10]</sup>	I; F	I/O	I <sup>2</sup> C data input/output. Open-drain output (for I <sup>2</sup> C-bus compliance).
<b>Reset and wake-up pins</b>								
$\overline{\text{RESET}}$	D9	C7	B6	128	<sup>[11]</sup>	I; IA	I	External reset input: A LOW-going pulse as short as 50 ns on this pin resets the device, causing I/O ports and peripherals to take on their default states, and processor execution to begin at address 0. This pin does not have an internal pull-up.

**Table 3. Pin description ...continued**LCD, Ethernet, USB0, and USB1 functions are not available on all parts. See [Table 2](#).

Symbol	LPGA256	TFBGA180	TFBGA100	LQFP144		Reset state [1]	Type	Description
WAKEUP0	A9	A9	A4	130	[11]	I; IA	I	External wake-up input; can raise an interrupt and can cause wake-up from any of the low-power modes. A pulse with a duration of at least 45 ns wakes up the part. This pin does not have an external pull-up.
WAKEUP1	A10	C8	-	-	[11]	I; IA	I	External wake-up input; can raise an interrupt and can cause wake-up from any of the low-power modes. A pulse with a duration of at least 45 ns wakes up the part. This pin does not have an external pull-up.
WAKEUP2	C9	E5	-	-	[11]	I; IA	I	External wake-up input; can raise an interrupt and can cause wake-up from any of the low-power modes. A pulse with a duration of at least 45 ns wakes up the part. This pin does not have an external pull-up.
WAKEUP3	D8	-	-	-	[11]	I; IA	I	External wake-up input; can raise an interrupt and can cause wake-up from any of the low-power modes. A pulse with a duration of at least 45 ns wakes up the part. This pin does not have an external pull-up.
<b>ADC pins</b>								
ADC0_0/ ADC1_0/DAC	E3	B6	A2	6	[8]	AI/O; IA	I	ADC input channel 0. Shared between 10-bit ADC0/1 and DAC.
ADC0_1/ ADC1_1	C3	C4	A1	2	[8]	AI; IA	I	ADC input channel 1. Shared between 10-bit ADC0/1.
ADC0_2/ ADC1_2	A4	B3	B3	143	[8]	AI; IA	I	ADC input channel 2. Shared between 10-bit ADC0/1.
ADC0_3/ ADC1_3	B5	B4	A3	139	[8]	AI; IA	I	ADC input channel 3. Shared between 10-bit ADC0/1.
ADC0_4/ ADC1_4	C6	A5	-	138	[8]	AI; IA	I	ADC input channel 4. Shared between 10-bit ADC0/1.
ADC0_5/ ADC1_5	B3	C3	-	144	[8]	AI; IA	I	ADC input channel 5. Shared between 10-bit ADC0/1.
ADC0_6/ ADC1_6	A5	A4	-	142	[8]	AI; IA	I	ADC input channel 6. Shared between 10-bit ADC0/1.
ADC0_7/ ADC1_7	C5	B5	-	136	[8]	AI; IA	I	ADC input channel 7. Shared between 10-bit ADC0/1.
<b>RTC</b>								
RTC_ALARM	A11	A10	C3	129	[11]	-	O	RTC controlled output. This pin has an internal pull-up. The reset state of this pin is LOW after POR. For all other types of reset, the reset state depends on the state of the RTC alarm interrupt.
RTCX1	A8	A8	A5	125	[8]	-	I	Input to the RTC 32 kHz ultra-low power oscillator circuit.
RTCX2	B8	B7	B5	126	[8]	-	O	Output from the RTC 32 kHz ultra-low power oscillator circuit.
<b>Crystal oscillator pins</b>								
XTAL1	D1	C1	B1	12	[8]	-	I	Input to the oscillator circuit and internal clock generator circuits.
XTAL2	E1	D1	C1	13	[8]	-	O	Output from the oscillator amplifier.

**Table 3. Pin description ...continued**

LCD, Ethernet, USB0, and USB1 functions are not available on all parts. See [Table 2](#).

Symbol	LPGA256	TFBGA180	TFBGA100	LQFP144		Reset state <a href="#">[1]</a>	Type	Description
<b>Power and ground pins</b>								
USB0_VDDA 3V3_DRIVER	F3	E3	D1	16		-	-	Separate analog 3.3 V power supply for driver.
USB0_VDDA3V3	G3	F3	D2	17		-	-	USB 3.3 V separate power supply voltage.
USB0_VSSA_TERM	H3	G3	D3	19		-	-	Dedicated analog ground for clean reference for termination resistors.
USB0_VSSA_REF	G1	F1	F2	23		-	-	Dedicated clean analog ground for generation of reference currents and voltages.
VDDA	B4	A6	B2	137		-	-	Analog power supply and ADC reference voltage.
VBAT	B10	B9	C5	127		-	-	RTC power supply: 3.3 V on this pin supplies power to the RTC.
VDDREG	F10, F9, L8, L7	D8, E8	E4, E5, F4	94, 131, 59, 25		-	-	Main regulator power supply. Tie the VDDREG and VDDIO pins to a common power supply to ensure the same ramp-up time for both supply voltages.
VPP	E8	-	-	-	<a href="#">[12]</a>	-	-	OTP programming voltage.
VDDIO	D7, E12, F7, F8, G10, H10, J6, J7, K7, L9, L10, N7, N13	H5, H10, K8, G10	F10, K5	5, 36, 41, 71, 77, 107, 111, 141	<a href="#">[12]</a>	-	-	I/O power supply. Tie the VDDREG and VDDIO pins to a common power supply to ensure the same ramp-up time for both supply voltages.
VSS	G9, H7, J10, J11, K8	F10, D7, E6, E7, E9, K6, K9	C8, D4, D5, G8, J3, J6	-	<a href="#">[13]</a>	-	-	Ground.

**Table 3. Pin description ...continued**

LCD, Ethernet, USB0, and USB1 functions are not available on all parts. See [Table 2](#).

Symbol	LPGA256	TFBGA180	TFBGA100	LQFP144		Reset state [1]	Type	Description
VSSIO	C4, D13, G6, G7, G8, H8, H9, J8, J9, K9, K10, M13, P7, P13	-	-	4, 40, 76, 109	[13]	-	-	Ground.
VSSA	B2	A3	C2	135		-	-	Analog ground.
<b>Not connected</b>								
-	B9	B8	-	-		-	-	n.c.

- [1] N = neutral, input buffer disabled; no extra VDDIO current consumption if the input is driven midway between supplies; set the EZI bit in the SFS register to enable the input buffer; I = input; OL = output driving LOW; OH = output driving HIGH; AI/O = analog input/output; IA = inactive; PU = pull-up enabled (weak pull-up resistor pulls up pin to VDDIO; F = floating. Reset state reflects the pin state at reset without boot code operation.
- [2] 5 V tolerant pad with 15 ns glitch filter (5 V tolerant if VDDIO present; if VDDIO not present, do not exceed 3.6 V); provides digital I/O functions with TTL levels and hysteresis; normal drive strength (see [Figure 44](#)).
- [3] 5 V tolerant pad with 15 ns glitch filter (5 V tolerant if VDDIO present; if VDDIO not present, do not exceed 3.6 V); provides digital I/O functions with TTL levels, and hysteresis; high drive strength (see [Figure 44](#)).
- [4] 5 V tolerant pad with 15 ns glitch filter (5 V tolerant if VDDIO present; if VDDIO not present, do not exceed 3.6 V); provides high-speed digital I/O functions with TTL levels and hysteresis (see [Figure 44](#)).
- [5] 5 V tolerant pad providing digital I/O functions (with TTL levels and hysteresis) and analog input or output (5 V tolerant if VDDIO present; if VDDIO not present, do not exceed 3.6 V). When configured as an ADC input or DAC output, the pin is not 5 V tolerant and the digital section of the pad must be disabled by setting the pin to an input function and disabling the pull-up resistor through the pin's SFSP register.
- [6] 5 V tolerant transparent analog pad.
- [7] For maximum load  $C_L = 6.5 \mu\text{F}$  and maximum pull-down resistance  $R_{pd} = 80 \text{ k}\Omega$ , the VBUS signal takes about 2 s to fall from VBUS = 5 V to VBUS = 0.2 V when it is no longer driven.
- [8] Transparent analog pad. Not 5 V tolerant.
- [9] Pad provides USB functions. It is designed in accordance with the USB specification, revision 2.0 (Full-speed and Low-speed mode only).
- [10] Open-drain 5 V tolerant digital I/O pad, compatible with I<sup>2</sup>C-bus Fast Mode Plus specification. This pad requires an external pull-up to provide output functionality. When power is switched off, this pin connected to the I<sup>2</sup>C-bus is floating and does not disturb the I<sup>2</sup>C lines.
- [11] 5 V tolerant pad with 20 ns glitch filter; provides digital I/O functions with open-drain output and hysteresis (see [Figure 45](#)).
- [12] If not pinned out, VPP is internally connected to VDDIO.
- [13] On the TFBGA100 package, VSS is internally connected to VSSIO.

## 7. Functional description

---

### 7.1 Architectural overview

The ARM Cortex-M3 includes three AHB-Lite buses: the system bus, the I-code bus, and the D-code bus. The I-code and D-code core buses allow for concurrent code and data accesses from different slave ports.

The LPC18S50/S30/S10 use a multi-layer AHB matrix to connect the ARM Cortex-M3 buses and other bus masters to peripherals. Flexible connections allow different bus masters to access peripherals that are on different slave ports of the matrix simultaneously.

### 7.2 ARM Cortex-M3 processor

The ARM Cortex-M3 is a general purpose, 32-bit microprocessor, which offers high performance and low-power consumption. The ARM Cortex-M3 offers many new features, including a Thumb-2 instruction set, low interrupt latency, hardware division, hardware single-cycle multiply, interruptable/continuable multiple load and store instructions, automatic state save and restore for interrupts, tightly integrated interrupt controller with wake-up interrupt controller, and multiple core buses capable of simultaneous accesses.

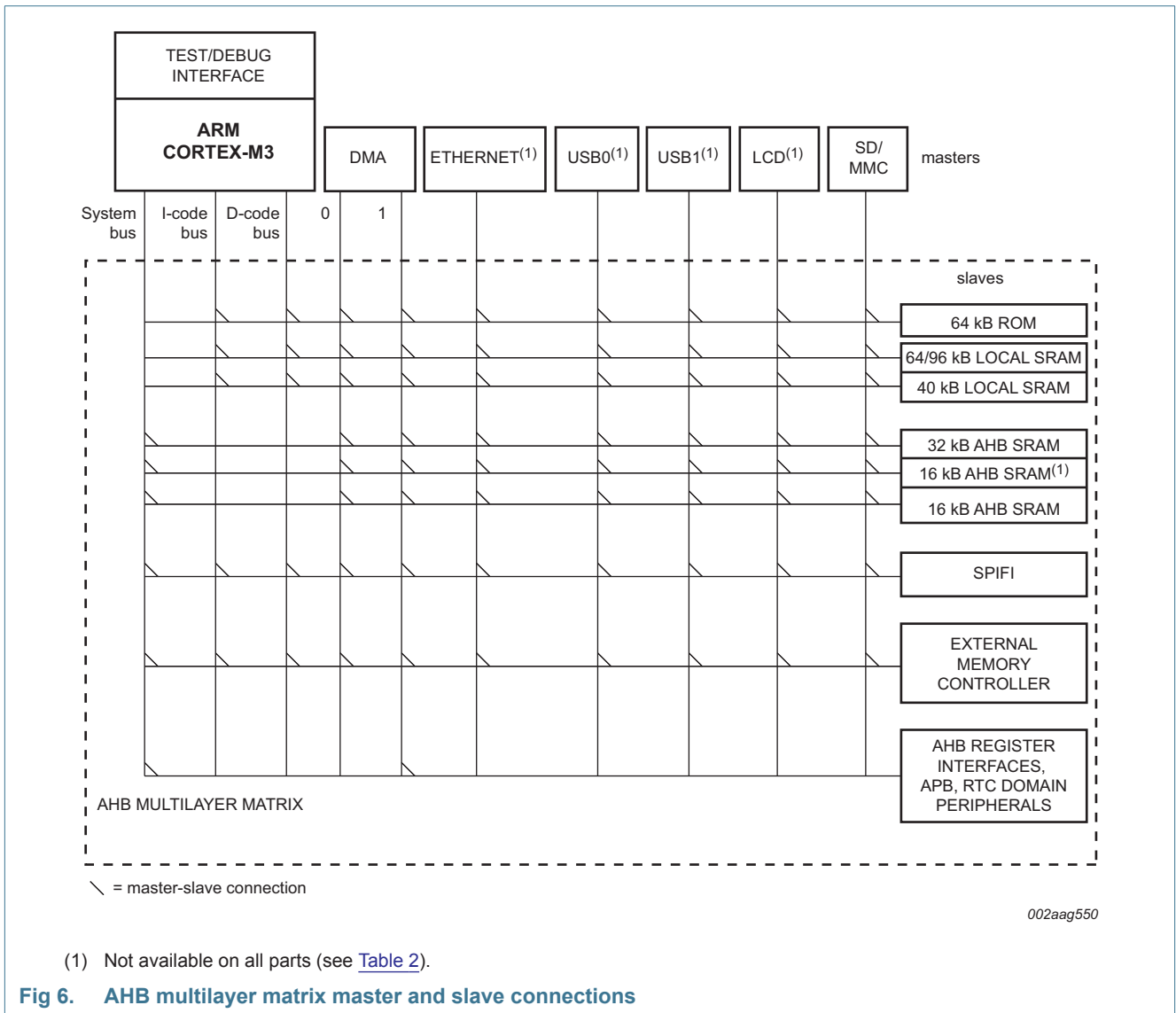
Pipeline techniques are employed so that all parts of the processing and memory systems can operate continuously. Typically, while one instruction is being executed, its successor is being decoded, and a third instruction is being fetched from memory.

The ARM Cortex-M3 processor is described in detail in the Cortex-M3 Technical Reference Manual.

### 7.3 System Tick timer (SysTick)

The ARM Cortex-M3 includes a system tick timer (SYSTICK) that is intended to generate a dedicated SYSTICK exception at a 10 ms interval.

### 7.4 AHB multilayer matrix



### 7.5 Nested Vectored Interrupt Controller (NVIC)

The NVIC is part of the Cortex-M3. The tight coupling to the CPU allows for low interrupt latency and efficient processing of late arriving interrupts.

#### 7.5.1 Features

- Controls system exceptions and peripheral interrupts.
- On the LPC18S50/S30/S10, the NVIC supports 53 vectored interrupts.
- Eight programmable interrupt priority levels, with hardware priority level masking.
- Relocatable vector table.
- Non-Maskable Interrupt (NMI).
- Software interrupt generation.

## 7.5.2 Interrupt sources

Each peripheral device has one interrupt line connected to the NVIC but can have several interrupt flags. Individual interrupt flags can also represent more than one interrupt source.

## 7.6 Event router

The event router combines various internal signals, interrupts, and the external interrupt pins (WAKEUP[3:0]) to create an interrupt in the NVIC, if enabled. In addition, the event router creates a wake-up signal to the ARM core and the CCU for waking up from Sleep, Deep-sleep, Power-down, and Deep power-down modes. Individual events can be configured as edge or level sensitive and can be enabled or disabled in the event router. The event router can be battery powered.

The following events if enabled in the event router can create a wake-up signal from sleep, deep-sleep, power-down, and deep power-down modes and/or create an interrupt:

- External pins WAKEUP0/1/2/3 and  $\overline{\text{RESET}}$
- Alarm timer, RTC (32 kHz oscillator running)

The following events if enabled in the event router can create a wake-up signal from sleep mode only and/or create an interrupt:

- WWDT, BOD interrupts
- C\_CAN0/1 and QEI interrupts
- Ethernet, USB0, USB1 signals
- Selected outputs of combined timers (SCTimer/PWM and timer0/1/3)

**Remark:** Any interrupt can wake up the ARM Cortex-M3 from sleep mode if enabled in the NVIC.

## 7.7 Global Input Multiplexer Array (GIMA)

The GIMA routes internal and external signals to event-driven peripheral targets like the SCTimer/PWM, timers, event router, or the ADCs.

### 7.7.1 Features

- Single selection of a source.
- Signal inversion.
- Can capture a pulse if the input event source is faster than the target clock.
- Synchronization of input event and target clock.
- Single-cycle pulse generation for target.

## 7.8 On-chip static RAM

The LPC18S50/S30/S10 support up to 200 kB SRAM with separate bus master access for higher throughput and individual power control for low-power operation.

### 7.8.1 ISP (In-System Programming) mode

In-System Programming (ISP) means programming or reprogramming the on-chip SRAM memory, using the boot loader software and the USART0 serial port. ISP can be performed when the part resides in the end-user board. ISP loads data into on-chip SRAM and execute code from on-chip SRAM.

## 7.9 Boot ROM

The internal ROM memory is used to store the boot code of the LPC18S50/S30/S10. After a reset, the ARM processor will start its code execution from this memory.

The boot ROM memory includes the following features:

- The ROM memory size is 64 kB.
- Supports booting from external static memory such as NOR flash, SPI flash, quad SPI flash, USB0, and USB1.
- Includes API for OTP programming.
- Includes a flexible USB device stack that supports Human Interface Device (HID), Mass Storage Class (MSC), and Device Firmware Upgrade (DFU) drivers.

Several boot modes are available depending on the values of the OTP bits BOOT\_SRC. If the OTP memory is not programmed or the BOOT\_SRC bits are all zero, the boot mode is determined by the states of the boot pins P2\_9, P2\_8, P1\_2, and P1\_1.

**Table 4. Boot mode when OTP BOOT\_SRC bits are programmed**

Boot mode	BOOT_SRC bit 3	BOOT_SRC bit 2	BOOT_SRC bit 1	BOOT_SRC bit 0	Description
Pin state	0	0	0	0	Boot source is defined by the reset state of P1_1, P1_2, P2_8, and P2_9 pins. See <a href="#">Table 5</a> .
USART0	0	0	0	1	Boot from device connected to USART0 using pins P2_0 and P2_1.
SPIFI	0	0	1	0	Boot from Quad SPI flash connected to the SPIFI interface using pins P3_3 to P3_8.
EMC 8-bit	0	0	1	1	Boot from external static memory (such as NOR flash) using CS0 and an 8-bit data bus.
EMC 16-bit	0	1	0	0	Boot from external static memory (such as NOR flash) using CS0 and a 16-bit data bus.
EMC 32-bit	0	1	0	1	Boot from external static memory (such as NOR flash) using CS0 and a 32-bit data bus.
USB0	0	1	1	0	Boot from USB0.
USB1	0	1	1	1	Boot from USB1.
SPI (SSP0)	1	0	0	0	Boot from SPI flash connected to the SSP0 interface on P3_3 (function SSP0_SCK), P3_6 (function SSP0_SSEL), P3_7 (function SSP0_MISO), and P3_8 (function SSP0_MOSI) <sup>[1]</sup> .
USART3	1	0	0	1	Boot from device connected to USART3 using pins P2_3 and P2_4.

[1] The boot loader programs the appropriate pin function at reset to boot using either SSP0 or SPIFI.

**Remark:** Pin functions for SPIFI and SSP0 boot are different.

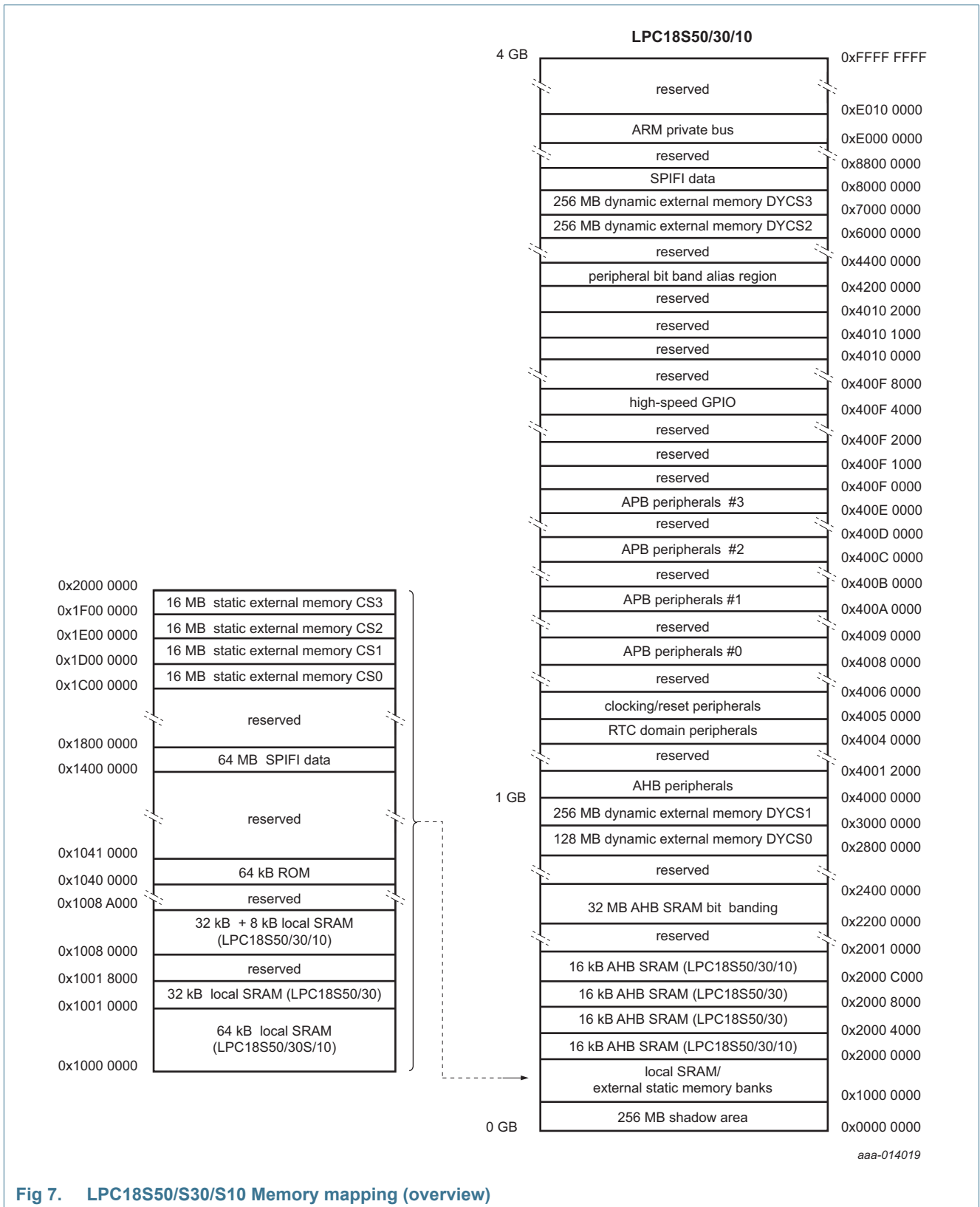
Table 5. Boot mode when OPT\_BOOT\_SRC bits are zero

Boot mode	Pins				Description
	P2_9	P2_8	P1_2	P1_1	
USART0	LOW	LOW	LOW	LOW	Boot from device connected to USART0 using pins P2_0 and P2_1.
SPIFI	LOW	LOW	LOW	HIGH	Boot from Quad SPI flash connected to the SPIFI interface on P3_3 to P3_8 <sup>[1]</sup> .
EMC 8-bit	LOW	LOW	HIGH	LOW	Boot from external static memory (such as NOR flash) using CS0 and an 8-bit data bus.
EMC 16-bit	LOW	LOW	HIGH	HIGH	Boot from external static memory (such as NOR flash) using CS0 and a 16-bit data bus.
EMC 32-bit	LOW	HIGH	LOW	LOW	Boot from external static memory (such as NOR flash) using CS0 and a 32-bit data bus.
USB0	LOW	HIGH	LOW	HIGH	Boot from USB0
USB1	LOW	HIGH	HIGH	LOW	Boot from USB1.
SPI (SSP0)	LOW	HIGH	HIGH	HIGH	Boot from SPI flash connected to the SSP0 interface on P3_3 (function SSP0_SCK), P3_6 (function SSP0_SSEL), P3_7 (function SSP0_MISO), and P3_8 (function SSP0_MOSI) <sup>[1]</sup> .
USART3	HIGH	LOW	LOW	LOW	Boot from device connected to USART3 using pins P2_3 and P2_4.

[1] The boot loader programs the appropriate pin function at reset to boot using the SSP0 or SPIFI.

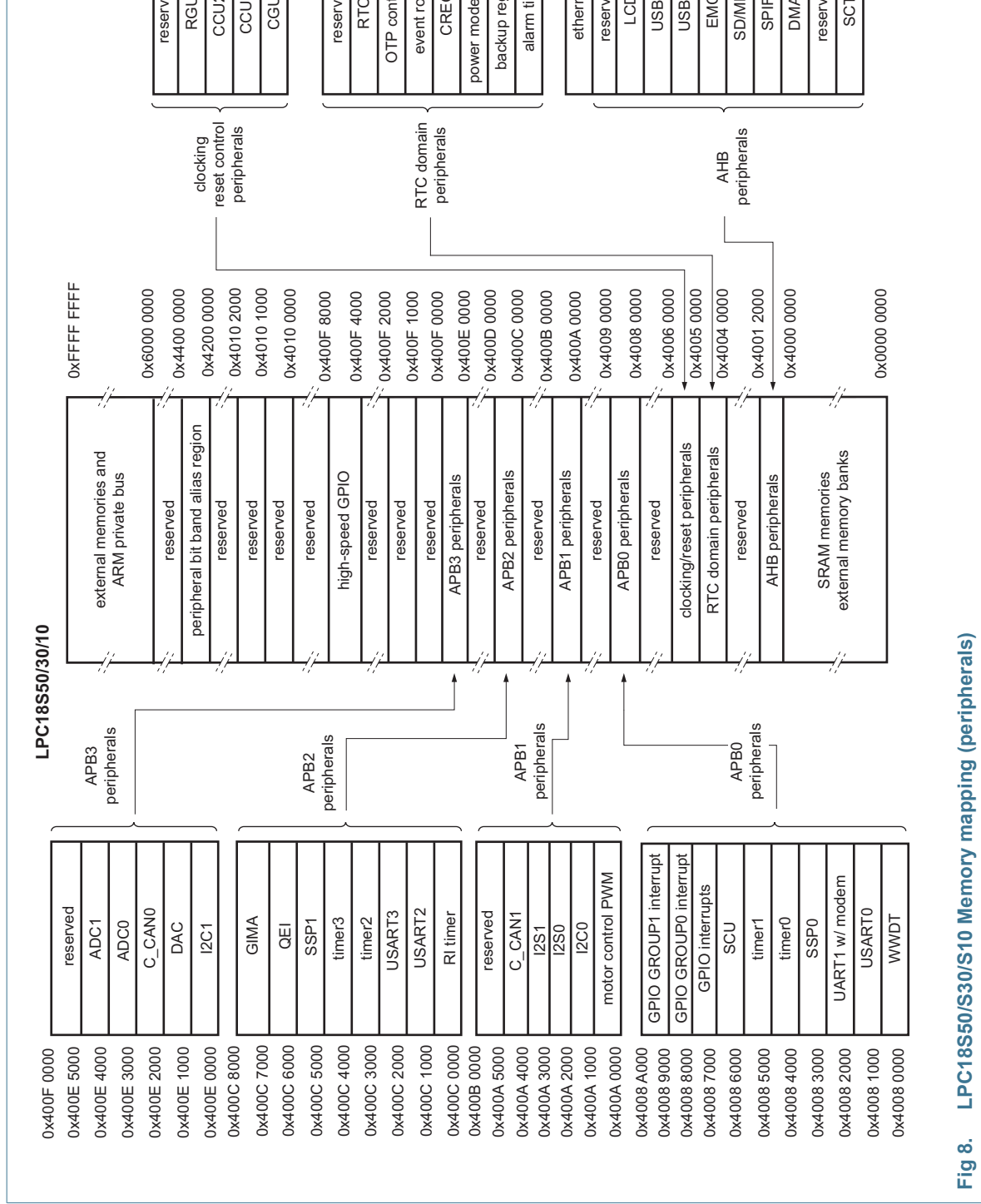
**Remark:** Pin functions for SPIFI and SSP0 boot are different.

## 7.10 Memory mapping



aaa-014019

Fig 7. LPC18S50/S30/S10 Memory mapping (overview)



**Fig 8. LPC18S50/S30/S10 Memory mapping (peripherals)**

## 7.11 One-Time Programmable (OTP) memory

The OTP provides 64 bit One-Time Programmable (OTP) memory for general-purpose use. 256 bit of OTP memory are available to store two AES keys in two memory banks. One bank is encrypted.

## 7.12 General-Purpose I/O (GPIO)

The LPC18S50/S30/S10 provides eight GPIO ports with up to 31 GPIO pins each.

Device pins that are not connected to a specific peripheral function are controlled by the GPIO registers. Pins may be dynamically configured as inputs or outputs. Separate registers allow setting or clearing any number of outputs simultaneously. The value of the output register may be read back as well as the current state of the port pins.

All GPIO pins default to inputs with pull-up resistors enabled and input buffer disabled on reset. The input buffer must be turned on in the system control block SFS register before the GPIO input can be read.

### 7.12.1 Features

- Accelerated GPIO functions:
  - GPIO registers are located on the AHB so that the fastest possible I/O timing can be achieved.
  - Mask registers allow treating sets of port bits as a group, leaving other bits unchanged.
  - All GPIO registers are byte and half-word addressable.
  - Entire port value can be written in one instruction.
- Bit-level set and clear registers allow a single instruction set or clear of any number of bits in one port.
- Direction control of individual bits.
- Up to eight GPIO pins can be selected from all GPIO pins to create an edge- or level-sensitive GPIO interrupt request.
- Two GPIO group interrupts can be triggered by any pin or pins in each port.

## 7.13 AHB peripherals

### 7.13.1 AES decryption/encryption

The hardware AES engine can decode and encode data using the AES algorithm in conjunction with a 128-bit key.

The AES encryption and decryption features are accessible through the ROM-based AES API.

#### 7.13.1.1 Features

- On-chip API support for AES encryption and decryption.
- Two 128-bit OTP memories for AES key storage and customer use. One OTP memory bank is encrypted.

- Random number generator (RNG) accessible through AES API.
- Unique ID for each device.
- Decoding of external flash data connected to the quad SPI Flash Interface (SPIFI).
- Secure storage of encryption and decryption keys.
- Support for CMAC hash calculation to authenticate encrypted data.
- AES engine supports the following modes:
  - Electronic Code Block (ECB) mode (encryption and decryption) with 128-bit key.
  - Cypher Block Chaining (CBC) mode (encryption and decryption) with 128-bit key.
- The AES engine is compliant with the FIPS (Federal Information Processing Standard) Publication 197, Advanced Encryption Standard (AES).
- Random Number Generator (RNG) is supported by the AES API and passes the following tests:
  - diehard
  - FIPS\_140-1
  - NIST
- Data is processed in little endian mode. This means that the first byte read from flash is integrated into the AES codeword as least significant byte. The 16th byte read from flash is the most significant byte of the first AES codeword.
- AES peak engine performance of 0.5 byte/clock cycle.
- DMA transfers supported through the GPDMA.

### 7.13.2 State Configurable Timer (SCTimer/PWM) subsystem

The SCTimer/PWM allows a wide variety of timing, counting, output modulation, and input capture operations. The inputs and outputs of the SCTimer/PWM are shared with the capture and match inputs/outputs of the 32-bit general-purpose counter/timers.

The SCTimer/PWM can be configured as two 16-bit counters or a unified 32-bit counter. In the two-counter case, in addition to the counter value the following operational elements are independent for each half:

- State variable
- Limit, halt, stop, and start conditions
- Values of Match/Capture registers, plus reload or capture control values

In the two-counter case, the following operational elements are global to the SCTimer/PWM, but the last three can use match conditions from either counter:

- Clock selection
- Inputs
- Events
- Outputs
- Interrupts

#### 7.13.2.1 Features

- Two 16-bit counters or one 32-bit counter.

- Counters clocked by bus clock or selected input.
- Counters can be configured as up counters or up-down counters.
- State variable allows sequencing across multiple counter cycles.
- Event combines input or output condition and/or counter match in a specified state.
- Events control outputs and interrupts.
- Selected events can limit, halt, start, or stop a counter.
- Supports:
  - up to 8 inputs
  - up to 16 outputs
  - 16 match/capture registers
  - 16 events
  - 32 states

### 7.13.3 General-purpose DMA

The DMA controller allows peripheral-to memory, memory-to-peripheral, peripheral-to-peripheral, and memory-to-memory transactions. Each DMA stream provides unidirectional serial DMA transfers for a single source and destination. For example, a bidirectional port requires one stream for transmit and one for receives. The source and destination areas can each be either a memory region or a peripheral for master 1, but only memory for master 0.

#### 7.13.3.1 Features

- Eight DMA channels. Each channel can support a unidirectional transfer.
- 16 DMA request lines.
- Single DMA and burst DMA request signals. Each peripheral connected to the DMA Controller can assert either a burst DMA request or a single DMA request. The DMA burst size is set by programming the DMA Controller.
- Memory-to-memory, memory-to-peripheral, peripheral-to-memory, and peripheral-to-peripheral transfers are supported.
- Scatter or gather DMA is supported through the use of linked lists. This means that the source and destination areas do not have to occupy contiguous areas of memory.
- Hardware DMA channel priority.
- AHB slave DMA programming interface. The DMA Controller is programmed by writing to the DMA control registers over the AHB slave interface.
- Two AHB bus masters for transferring data. These interfaces transfer data when a DMA request goes active. Master 1 can access memories and peripherals, master 0 can access memories only.
- 32-bit AHB master bus width.
- Incrementing or non-incrementing addressing for source and destination.
- Programmable DMA burst size. The DMA burst size can be programmed to more efficiently transfer data.
- Internal four-word FIFO per channel.
- Supports 8, 16, and 32-bit wide transactions.

- Big-endian and little-endian support. The DMA Controller defaults to little-endian mode on reset.
- An interrupt to the processor can be generated on a DMA completion or when a DMA error has occurred.
- Raw interrupt status. The DMA error and DMA count raw interrupt status can be read prior to masking.

#### 7.13.4 SPI Flash Interface (SPIFI)

The SPI Flash Interface allows low-cost serial flash memories to be connected to the ARM Cortex-M3 processor with little performance penalty compared to parallel flash devices with higher pin count.

After a few commands configure the interface at startup, the entire flash content is accessible as normal memory using byte, halfword, and word accesses by the processor and/or DMA channels. Simple sequences of commands handle erasing and programming.

Many serial flash devices use a half-duplex command-driven SPI protocol for device setup and initialization and then move to a half-duplex, command-driven 4-bit protocol for normal operation. Different serial flash vendors and devices accept or require different commands and command formats. SPIFI provides sufficient flexibility to be compatible with common flash devices and includes extensions to help insure compatibility with future devices.

##### 7.13.4.1 Features

- Interfaces to serial flash memory in the main memory map.
- Supports classic and 4-bit bidirectional serial protocols.
- Half-duplex protocol compatible with various vendors and devices.
- Quad SPI Flash Interface (SPIFI) with 1-, 2-, or 4-bit data at rates of up to 52 MB per second.
- Supports DMA access.

#### 7.13.5 SD/MMC card interface

The SD/MMC card interface supports the following modes:

- Secure Digital memory (SD version 3.0)
- Secure Digital I/O (SDIO version 2.0)
- Consumer Electronics Advanced Transport Architecture (CE-ATA version 1.1)
- MultiMedia Cards (MMC version 4.4)

#### 7.13.6 External Memory Controller (EMC)

The LPC18S50/S30/S10 EMC is a Memory Controller peripheral offering support for asynchronous static memory devices such as RAM, ROM, and NOR flash. In addition, it can be used as an interface with off-chip memory-mapped devices and peripherals.

### 7.13.6.1 Features

- Dynamic memory interface support including single data rate SDRAM. SDRAM maximum frequency of up to 120 MHz.
- Asynchronous static memory device support including RAM, ROM, and NOR flash, with or without asynchronous page mode.
- Low transaction latency.
- Read and write buffers to reduce latency and to improve performance.
- 8/16/32 data and 24 address lines-wide static memory support. On parts LPC1820/10 only 8/16 data lines are available.
- 16-bit and 32-bit wide chip select SDRAM memory support.
- Static memory features include:
  - Asynchronous page mode read
  - Programmable Wait States
  - Bus turnaround delay
  - Output enable and write enable delays
  - Extended wait
- Four chip selects for synchronous memory and four chip selects for static memory devices.
- Power-saving modes dynamically control EMC\_CKEOUT and EMC\_CLK signals to SDRAMs.
- Dynamic memory self-refresh mode controlled by software.
- Controller supports 2048 (A0 to A10), 4096 (A0 to A11), and 8192 (A0 to A12) row address synchronous memory parts. Those are typically 512 MB, 256 MB, and 128 MB parts, with 4, 8, 16, or 32 data bits per device.
- Separate reset domains allow auto-refresh through a chip reset if desired.
- SDRAM clock can run at full or half the Cortex-M4 core frequency.

**Note:** Synchronous static memory devices (synchronous burst mode) are not supported.

### 7.13.7 High-speed USB Host/Device/OTG interface (USB0)

**Remark:** USB0 is available on parts LPC1850/30/20 (see [Table 2](#)).

The USB OTG module allows the part to connect directly to a USB host such as a PC (in device mode) or to a USB device in host mode.

#### 7.13.7.1 Features

- On-chip UTMI+ compliant high-speed transceiver (PHY).
- Complies with *Universal Serial Bus specification 2.0*.
- Complies with *USB On-The-Go supplement*.
- Complies with *Enhanced Host Controller Interface Specification*.
- Supports auto USB 2.0 mode discovery.
- Supports all high-speed USB-compliant peripherals.
- Supports all full-speed USB-compliant peripherals.

- Supports software Host Negotiation Protocol (HNP) and Session Request Protocol (SRP) for OTG peripherals.
- Supports interrupts.
- This module has its own, integrated DMA engine.
- USB interface electrical test software included in ROM USB stack.

### 7.13.8 High-speed USB Host/Device interface with ULPI (USB1)

**Remark:** USB1 is available on parts LPC1850/30 (see [Table 2](#)).

The USB1 interface can operate as a full-speed USB host/device interface or can connect to an external ULPI PHY for High-speed operation.

#### 7.13.8.1 Features

- Complies with *Universal Serial Bus specification 2.0*.
- Complies with *Enhanced Host Controller Interface Specification*.
- Supports auto USB 2.0 mode discovery.
- Supports all high-speed USB-compliant peripherals if connected to external ULPI PHY.
- Supports all full-speed USB-compliant peripherals.
- Supports interrupts.
- This module has its own, integrated DMA engine.
- USB interface electrical test software included in ROM USB stack.

### 7.13.9 LCD controller

**Remark:** The LCD controller is available on LPC1850 only.

The LCD controller provides all of the necessary control signals to interface directly to various color and monochrome LCD panels. Both STN (single and dual panel) and TFT panels can be operated. The display resolution is selectable and can be up to 1024 × 768 pixels. Several color modes are provided, up to a 24-bit true-color non-palettized mode. An on-chip 512 byte color palette allows reducing bus utilization (that is, memory size of the displayed data) while still supporting many colors.

The LCD interface includes its own DMA controller to allow it to operate independently of the CPU and other system functions. A built-in FIFO acts as a buffer for display data, providing flexibility for system timing. Hardware cursor support can further reduce the amount of CPU time required to operate the display.

#### 7.13.9.1 Features

- AHB master interface to access frame buffer.
- Setup and control via a separate AHB slave interface.
- Dual 16-deep programmable 64-bit wide FIFOs for buffering incoming display data.
- Supports single and dual-panel monochrome Super Twisted Nematic (STN) displays with 4-bit or 8-bit interfaces.
- Supports single and dual-panel color STN displays.
- Supports Thin Film Transistor (TFT) color displays.

- Programmable display resolution including, but not limited to: 320 × 200, 320 × 240, 640 × 200, 640 × 240, 640 × 480, 800 × 600, and 1024 × 768.
- Hardware cursor support for single-panel displays.
- 15 gray-level monochrome, 3375 color STN, and 32 K color palettized TFT support.
- 1, 2, or 4 bits-per-pixel (bpp) palettized displays for monochrome STN.
- 1, 2, 4, or 8 bpp palettized color displays for color STN and TFT.
- 16 bpp true-color non-palettized for color STN and TFT.
- 24 bpp true-color non-palettized for color TFT.
- Programmable timing for different display panels.
- 256 entry, 16-bit palette RAM, arranged as a 128 × 32-bit RAM.
- Frame, line, and pixel clock signals.
- AC bias signal for STN, data enable signal for TFT panels.
- Supports little and big-endian, and Windows CE data formats.
- LCD panel clock can be generated from the peripheral clock, or from a clock input pin.

### 7.13.10 Ethernet

**Remark:** Ethernet is available on parts LPC1850/30 (see [Table 2](#)).

#### 7.13.10.1 Features

- 10/100 Mbit/s
- DMA support
- Power management remote wake-up frame and magic packet detection
- Supports both full-duplex and half-duplex operation
  - Supports CSMA/CD Protocol for half-duplex operation.
  - Supports IEEE 802.3x flow control for full-duplex operation.
  - Optional forwarding of received pause control frames to the user application in full-duplex operation.
  - Back-pressure support for half-duplex operation.
  - Automatic transmission of zero-quanta pause frame on deassertion of flow control input in full-duplex operation.
- Support for IEEE 1588 time stamping and IEEE 1588 advanced time stamping (IEEE 1588-2008 v2).

## 7.14 Digital serial peripherals

### 7.14.1 UART

The LPC18S50/S30/S10 contain one UART with standard transmit and receive data lines. UART1 also provides a full modem control handshake interface and support for RS-485/9-bit mode allowing both software address detection and automatic address detection using 9-bit mode.

UART1 includes a fractional baud rate generator. Standard baud rates such as 115200 Bd can be achieved with any crystal frequency above 2 MHz.

### 7.14.1.1 Features

- Maximum UART data bit rate of 8 MBit/s.
- 16 B Receive and Transmit FIFOs.
- Register locations conform to 16C550 industry standard.
- Receiver FIFO trigger points at 1 B, 4 B, 8 B, and 14 B.
- Built-in fractional baud rate generator covering wide range of baud rates without a need for external crystals of particular values.
- Auto baud capabilities and FIFO control mechanism that enables software flow control implementation.
- Equipped with standard modem interface signals. This module also provides full support for hardware flow control (auto-CTS/RTS).
- Support for RS-485/9-bit/EIA-485 mode (UART1).
- DMA support.

### 7.14.2 USART

**Remark:** The LPC18S50/S30/S10 contain three USARTs. In addition to standard transmit and receive data lines, the USARTs support a synchronous mode and a smart card mode.

The USARTs include a fractional baud rate generator. Standard baud rates such as 115200 Bd can be achieved with any crystal frequency above 2 MHz.

#### 7.14.2.1 Features

- Maximum UART data bit rate of 8 MBit/s.
- 16 B Receive and Transmit FIFOs.
- Register locations conform to 16C550 industry standard.
- Receiver FIFO trigger points at 1 B, 4 B, 8 B, and 14 B.
- Built-in fractional baud rate generator covering wide range of baud rates without a need for external crystals of particular values.
- Auto baud capabilities and FIFO control mechanism that enables software flow control implementation.
- Support for RS-485/9-bit/EIA-485 mode.
- USART3 includes an IrDA mode to support infrared communication.
- All USARTs have DMA support.
- Support for synchronous mode at a data bit rate of up to 8 Mbit/s.
- Smart card mode conforming to ISO7816 specification

### 7.14.3 SSP serial I/O controller

**Remark:** The LPC18S50/S30/S10 contain two SSP controllers.

The SSP controller can operate on a SPI, 4-wire SSI, or Microwire bus. It can interact with multiple masters and slaves on the bus. Only a single master and a single slave can communicate on the bus during a given data transfer. The SSP supports full-duplex

transfers, with frames of 4 bit to 16 bit of data flowing from the master to the slave and from the slave to the master. In practice, often only one of these data flows carries meaningful data.

#### 7.14.3.1 Features

- Maximum SSP speed in full-duplex mode of 25 Mbit/s; for transmit only 50 Mbit/s (master) and 15 Mbit/s (slave).
- Compatible with Motorola SPI, 4-wire Texas Instruments SSI, and National Semiconductor Microwire buses
- Synchronous serial communication
- Master or slave operation
- Eight-frame FIFOs for both transmit and receive
- 4-bit to 16-bit frame
- Connected to the GPDMA

#### 7.14.4 I<sup>2</sup>C-bus interface

**Remark:** The LPC18S50/S30/S10 contain two I<sup>2</sup>C-bus interfaces.

The I<sup>2</sup>C-bus is bidirectional for inter-IC control using only two wires: a Serial Clock line (SCL) and a Serial Data line (SDA). Each device is recognized by a unique address and can operate as either a receiver-only device (for example an LCD driver) or a transmitter with the capability to both receive and send information (such as memory). Transmitters and/or receivers can operate in either master or slave mode, depending on whether the chip has to initiate a data transfer or is only addressed. The I<sup>2</sup>C is a multi-master bus and can be controlled by more than one bus master connected to it.

##### 7.14.4.1 Features

- I<sup>2</sup>C0 is a standard I<sup>2</sup>C-compliant bus interface with open-drain pins. I<sup>2</sup>C0 also supports Fast mode plus with bit rates up to 1 Mbit/s.
- I<sup>2</sup>C1 uses standard I/O pins with bit rates of up to 400 kbit/s (Fast I<sup>2</sup>C-bus).
- Easy to configure as master, slave, or master/slave.
- Programmable clocks allow versatile rate control.
- Bidirectional data transfer between masters and slaves.
- Multi-master bus (no central master).
- Arbitration between simultaneously transmitting masters without corruption of serial data on the bus.
- Serial clock synchronization allows devices with different bit rates to communicate via one serial bus.
- Serial clock synchronization can be used as a handshake mechanism to suspend and resume serial transfer.
- The I<sup>2</sup>C-bus can be used for test and diagnostic purposes.
- All I<sup>2</sup>C-bus controllers support multiple address recognition and a bus monitor mode.

#### 7.14.5 I<sup>2</sup>S interface

**Remark:** The LPC18S50/S30/S10 contain two I<sup>2</sup>S interfaces.

The I<sup>2</sup>S-bus provides a standard communication interface for digital audio applications.

The *I<sup>2</sup>S-bus specification* defines a 3-wire serial bus using one data line, one clock line, and one word select signal. The basic I<sup>2</sup>S-bus connection has one master, which is always the master, and one slave. The I<sup>2</sup>S-bus interface provides a separate transmit and receive channel, each of which can operate as either a master or a slave.

#### 7.14.5.1 Features

- The interface has separate input/output channels each of which can operate in master or slave mode.
- Capable of handling 8-bit, 16-bit, and 32-bit word sizes.
- Mono and stereo audio data supported.
- The sampling frequency can range from 16 kHz to 192 kHz (16, 22.05, 32, 44.1, 48, 96, 192) kHz.
- Support for an audio master clock.
- Configurable word select period in master mode (separately for I<sup>2</sup>S-bus input and output).
- Two 8-word FIFO data buffers are provided, one for transmit and one for receive.
- Generates interrupt requests when buffer levels cross a programmable boundary.
- Two DMA requests, controlled by programmable buffer levels. The DMA requests are connected to the GPDMA block.
- Controls include reset, stop and mute options separately for I<sup>2</sup>S-bus input and I<sup>2</sup>S-bus output.

#### 7.14.6 C\_CAN

**Remark:** The LPC18S50/S30/S10 contain two C\_CAN controllers.

Controller Area Network (CAN) is the definition of a high performance communication protocol for serial data communication. The C\_CAN controller is designed to provide a full implementation of the CAN protocol according to the CAN Specification Version 2.0B. The C\_CAN controller can build powerful local networks with low-cost multiplex wiring by supporting distributed real-time control with a high level of reliability.

##### 7.14.6.1 Features

- Conforms to protocol version 2.0 parts A and B.
- Supports bit rate of up to 1 Mbit/s.
- Supports 32 Message Objects.
- Each Message Object has its own identifier mask.
- Provides programmable FIFO mode (concatenation of Message Objects).
- Provides maskable interrupts.
- Supports Disabled Automatic Retransmission (DAR) mode for time-triggered CAN applications.
- Provides programmable loop-back mode for self-test operation.

## 7.15 Counter/timers and motor control

### 7.15.1 General purpose 32-bit timers/external event counter

**Remark:** The LPC18S50/S30/S10 include four 32-bit timer/counters.

The timer/counter is designed to count cycles of the system derived clock or an externally-supplied clock. It can optionally generate interrupts, generate timed DMA requests, or perform other actions at specified timer values, based on four match registers. Each timer/counter also includes two capture inputs to trap the timer value when an input signal transitions, optionally generating an interrupt.

#### 7.15.1.1 Features

- A 32-bit timer/counter with a programmable 32-bit prescaler.
- Counter or timer operation.
- Two 32-bit capture channels per timer, that can take a snapshot of the timer value when an input signal transitions. A capture event can also generate an interrupt.
- Four 32-bit match registers that allow:
  - Continuous operation with optional interrupt generation on match.
  - Stop timer on match with optional interrupt generation.
  - Reset timer on match with optional interrupt generation.
- Up to four external outputs corresponding to match registers, with the following capabilities:
  - Set LOW on match.
  - Set HIGH on match.
  - Toggle on match.
  - Do nothing on match.
- Up to two match registers can be used to generate timed DMA requests.

### 7.15.2 Motor control PWM

The motor control PWM is a specialized PWM supporting 3-phase motors and other combinations. Feedback inputs are provided to automatically sense rotor position and use that information to ramp speed up or down. An abort input causes the PWM to release all motor drive outputs immediately. At the same time, the motor control PWM is highly configurable for other generalized timing, counting, capture, and compare applications.

### 7.15.3 Quadrature Encoder Interface (QEI)

A quadrature encoder, also known as a 2-channel incremental encoder, converts angular displacement into two pulse signals. By monitoring both the number of pulses and the relative phase of the two signals, the user code can track the position, direction of rotation, and velocity. In addition, a third channel, or index signal, can be used to reset the position counter. The quadrature encoder interface decodes the digital pulses from a quadrature encoder wheel to integrate position over time and determine direction of rotation. In addition, the QEI can capture the velocity of the encoder wheel.

#### 7.15.3.1 Features

- Tracks encoder position.

- Increments/decrements depending on direction.
- Programmable for 2× or 4× position counting.
- Velocity capture using built-in timer.
- Velocity compare function with “less than” interrupt.
- Uses 32-bit registers for position and velocity.
- Three position-compare registers with interrupts.
- Index counter for revolution counting.
- Index compare register with interrupts.
- Can combine index and position interrupts to produce an interrupt for whole and partial revolution displacement.
- Digital filter with programmable delays for encoder input signals.
- Can accept decoded signal inputs (clk and direction).

#### 7.15.4 Repetitive Interrupt (RI) timer

The repetitive interrupt timer provides a free-running 32-bit counter which is compared to a selectable value, generating an interrupt when a match occurs. Any bits of the timer compare function can be masked such that they do not contribute to the match detection. The repetitive interrupt timer can be used to create an interrupt that repeats at predetermined intervals.

##### 7.15.4.1 Features

- 32-bit counter. Counter can be free-running or be reset by a generated interrupt.
- 32-bit compare value.
- 32-bit compare mask. An interrupt is generated when the counter value equals the compare value, after masking. This mechanism allows for combinations not possible with a simple compare.

#### 7.15.5 Windowed WatchDog Timer (WWDT)

The purpose of the watchdog is to reset the controller if software fails to periodically service it within a programmable time window.

##### 7.15.5.1 Features

- Internally resets chip if not periodically reloaded during the programmable time-out period.
- Optional windowed operation requires reload to occur between a minimum and maximum time period, both programmable.
- Optional warning interrupt can be generated at a programmable time prior to watchdog time-out.
- Enabled by software but requires a hardware reset or a watchdog reset/interrupt to be disabled.
- Incorrect feed sequence causes reset or interrupt if enabled.
- Flag to indicate watchdog reset.
- Programmable 24-bit timer with internal prescaler.

- Selectable time period from  $(T_{cy(WDCLK)} \times 256 \times 4)$  to  $(T_{cy(WDCLK)} \times 2^{24} \times 4)$  in multiples of  $T_{cy(WDCLK)} \times 4$ .
- The Watchdog Clock (WDCLK) uses the IRC as the clock source.

## 7.16 Analog peripherals

### 7.16.1 Analog-to-Digital Converter

**Remark:** The LPC18S50/S30/S10 contain two 10-bit ADCs.

#### 7.16.1.1 Features

- 10-bit successive approximation analog to digital converter.
- Input multiplexing among 8 pins.
- Power-down mode.
- Measurement range 0 to VDDA.
- Sampling frequency up to 400 kSamples/s.
- Burst conversion mode for single or multiple inputs.
- Optional conversion on transition on ADCTRIG0 or ADCTRIG1 pins, combined timer outputs 8 or 15, or the PWM output MCOA2.
- Individual result registers for each A/D channel to reduce interrupt overhead.
- DMA support.

### 7.16.2 Digital-to-Analog Converter (DAC)

#### 7.16.2.1 Features

- 10-bit resolution
- Monotonic by design (resistor string architecture)
- Controllable conversion speed
- Low-power consumption

## 7.17 Peripherals in the RTC power domain

### 7.17.1 RTC

The Real-Time Clock (RTC) is a set of counters for measuring time when system power is on, and optionally when it is off. It uses little power when the CPU does not access its registers, especially in the reduced power modes. A separate 32 kHz oscillator clocks the RTC. The oscillator produces a 1 Hz internal time reference and is powered by its own power supply pin, VBAT.

#### 7.17.1.1 Features

- Measures the passage of time to maintain a calendar and clock. Provides seconds, minutes, hours, day of month, month, year, day of week, and day of year.
- Ultra-low power design to support battery powered systems. Uses power from the CPU power supply when it is present.
- Dedicated battery power supply pin.

- RTC power supply is isolated from the rest of the chip.
- Calibration counter allows adjustment to better than  $\pm 1$  sec/day with 1 sec resolution.
- Periodic interrupts can be generated from increments of any field of the time registers.
- Alarm interrupt can be generated for a specific date/time.

### 7.17.2 Alarm timer

The alarm timer is a 16-bit timer and counts down at 1 kHz from a preset value generating alarms in intervals of up to 1 min. The counter triggers a status bit when it reaches 0x00 and asserts an interrupt if enabled.

The alarm timer is part of the RTC power domain and can be battery powered.

## 7.18 System control

### 7.18.1 Configuration registers (CREG)

The following settings are controlled in the configuration register block:

- BOD trip settings
- Oscillator output
- DMA-to-peripheral muxing
- Ethernet mode
- Memory mapping
- Timer/USART inputs
- Enabling the USB controllers

In addition, the CREG block contains the part identification and part configuration information.

### 7.18.2 System Control Unit (SCU)

The system control unit determines the function and electrical mode of the digital pins. By default function 0 is selected for all pins with pull-up enabled. For pins that support a digital and analog function, the ADC function select registers in the SCU enable the analog function.

A separate set of analog I/Os for the ADCs and the DAC as well as most USB pins are located on separate pads and are not controlled through the SCU.

In addition, the clock delay register for the SDRAM EMC\_CLK pins and the registers that select the pin interrupts are located in the SCU.

### 7.18.3 Clock Generation Unit (CGU)

The Clock Generator Unit (CGU) generates several base clocks. The base clocks can be unrelated in frequency and phase and can have different clock sources within the CGU. One CGU base clock is routed to the CLKOUT pins. The base clock that generates the CPU clock is referred to as CCLK.

Multiple branch clocks are derived from each base clock. The branch clocks offer flexible control for power-management purposes. All branch clocks are outputs of one of two Clock Control Units (CCUs) and can be controlled independently. Branch clocks derived from the same base clock are synchronous in frequency and phase.

#### 7.18.4 Internal RC oscillator (IRC)

The IRC is used as the clock source for the WWDT and/or as the clock that drives the PLLs and the CPU. The nominal IRC frequency is 12 MHz. The IRC is trimmed to 1.5 % accuracy over the entire voltage and temperature range.

Upon power-up or any chip reset, the LPC18S50/S30/S10 use the IRC as the clock source. The boot loader then configures the PLL1 to provide a 96 MHz clock for the core and the PLL0USB or PLL0AUDIO as needed if an external boot source is selected.

#### 7.18.5 PLL0USB (for USB0)

PLL0 is a dedicated PLL for the USB0 High-speed controller.

PLL0 accepts an input clock frequency from an external oscillator in the range of 14 kHz to 25 MHz. The input frequency is multiplied up to a high frequency with a Current Controlled Oscillator (CCO). The CCO operates in the range of 4.3 MHz to 550 MHz.

#### 7.18.6 PLL0AUDIO (for audio)

The audio PLL PLL0AUDIO is a general-purpose PLL with a small step size. This PLL accepts an input clock frequency derived from an external oscillator or internal IRC. The input frequency is multiplied up to a high frequency with a Current Controlled Oscillator (CCO). A sigma-delta converter modulates the PLL divider ratios to obtain the desired output frequency. The output frequency can be set as a multiple of the sampling frequency  $f_s$  to  $32 \times f_s$ ,  $64 \times f_s$ ,  $128 \times f_s$ ,  $256 \times f_s$ ,  $384 \times f_s$ ,  $512 \times f_s$  and the sampling frequency  $f_s$  can range from 16 kHz to 192 kHz (16, 22.05, 32, 44.1, 48, 96, 192) kHz. Many other frequencies are possible as well using the integrated fractional divider.

#### 7.18.7 System PLL1

The PLL1 accepts an input clock frequency from an external oscillator in the range of 1 MHz to 25 MHz. The input frequency is multiplied up to a high frequency with a Current Controlled Oscillator (CCO). The multiplier can be an integer value from 1 to 32. The CCO operates in the range of 156 MHz to 320 MHz. This range is possible through an additional divider in the loop to keep the CCO within its frequency range while the PLL is providing the desired output frequency. The output divider can be set to divide by 2, 4, 8, or 16 to produce the output clock. Since the minimum output divider value is 2, it is insured that the PLL output has a 50 % duty cycle. The PLL is turned off and bypassed following a chip reset. After reset, software can enable the PLL. The program must configure and activate the PLL, wait for the PLL to lock, and then connect to the PLL as a clock source. The PLL settling time is 100  $\mu$ s.

#### 7.18.8 Reset Generation Unit (RGU)

The RGU allows generation of independent reset signals for individual blocks and peripherals.

7.18.9 Power control

The LPC18S50/S30/S10 feature several independent power domains to control power to the core and the peripherals (see Figure 9). The RTC and its associated peripherals (the alarm timer, the CREG block, the OTP controller, the back-up registers, and the event router) are located in the RTC power-domain. The main regulator or a battery supply can power the RTC. A power selector switch ensures that the RTC block is always powered on.

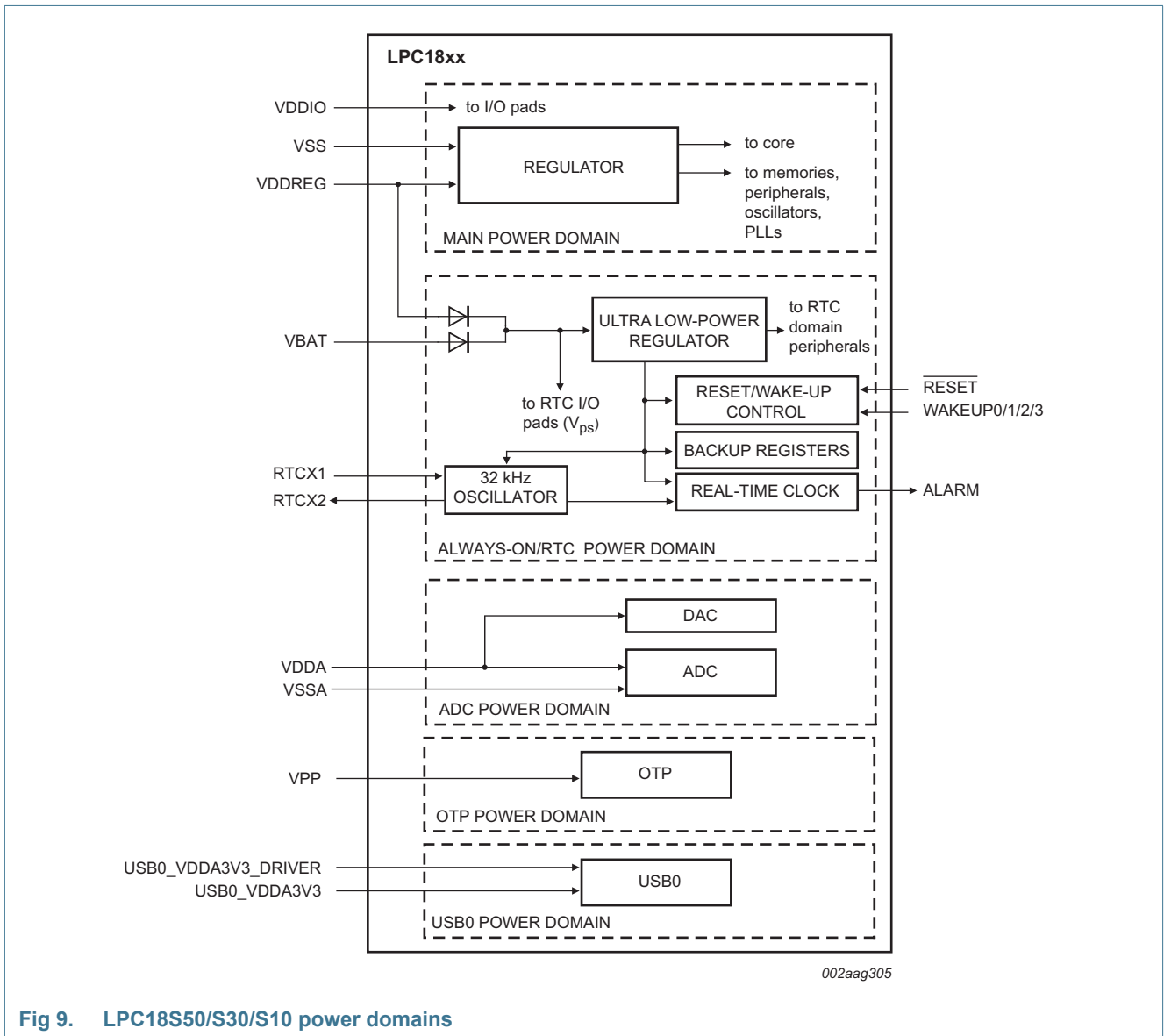


Fig 9. LPC18S50/S30/S10 power domains

The LPC18S50/S30/S10 support four reduced power modes: Sleep, Deep-sleep, Power-down, and Deep power-down.

The LPC18S50/S30/S10 can wake up from Deep-sleep, Power-down, and Deep power-down modes via the WAKEUP[3:0] pins and interrupts generated by battery powered blocks in the RTC power domain.

## 7.19 Emulation and debugging

Debug and trace functions are integrated into the ARM Cortex-M3. Serial wire debug and trace functions are supported in addition to a standard JTAG debug and parallel trace functions. The ARM Cortex-M3 is configured to support up to eight breakpoints and four watch points.

## 8. Limiting values

**Table 6. Limiting values**

In accordance with the Absolute Maximum Rating System (IEC 60134).<sup>[1]</sup>

Symbol	Parameter	Conditions		Min	Max	Unit
$V_{DD(REG)(3V3)}$	regulator supply voltage (3.3 V)	on pin VDDREG		-0.5	3.6	V
$V_{DD(IO)}$	input/output supply voltage	on pin VDDIO		-0.5	3.6	V
$V_{DDA(3V3)}$	analog supply voltage (3.3 V)	on pin VDDA		-0.5	3.6	V
$V_{BAT}$	battery supply voltage	on pin VBAT		-0.5	3.6	V
$V_{prog(pf)}$	polyfuse programming voltage	on pin VPP		-0.5	3.6	V
$V_I$	input voltage	only valid when the $V_{DD(IO)} \geq 2.2$ V 5 V tolerant I/O pins	<sup>[2]</sup>	-0.5	5.5	V
		ADC/DAC pins and digital I/O pins configured for an analog function		-0.5	$V_{DDA(3V3)}$	V
		USB0 pins USB0_DP; USB0_DM;USB0_VBUS		-0.3	5.25	V
		USB0 pins USB0_ID; USB0_RREF		-0.3	3.6	V
		USB1 pins USB1_DP and USB1_DM		-0.3	5.25	V
$I_{DD}$	supply current	per supply pin	<sup>[3]</sup>	-	100	mA
$I_{SS}$	ground current	per ground pin	<sup>[3]</sup>	-	100	mA
$I_{latch}$	I/O latch-up current	$-(0.5V_{DD(IO)}) < V_I < (1.5V_{DD(IO)})$ ; $T_j < 125$ °C		-	100	mA
$T_{stg}$	storage temperature		<sup>[4]</sup>	-65	+150	°C
$P_{tot(pack)}$	total power dissipation (per package)	based on package heat transfer, not device power consumption		-	1.5	W
$V_{ESD}$	electrostatic discharge voltage	human body model; all pins	<sup>[5]</sup>	-2000	+2000	V

[1] The following applies to the limiting values:

- a) This product includes circuitry designed for the protection of its internal devices from the damaging effects of excessive static charge. Nonetheless, it is suggested that conventional precautions be taken to avoid applying greater than the rated maximum.
- b) Parameters are valid over operating temperature range unless otherwise specified. All voltages are with respect to  $V_{SS}$  unless otherwise noted.

[2] Including voltage on outputs in 3-state mode.

[3] The peak current is limited to 25 times the corresponding maximum current.

[4] Dependent on package type.

[5] Human body model: equivalent to discharging a 100 pF capacitor through a 1.5 k $\Omega$  series resistor.

## 9. Thermal characteristics

The average chip junction temperature,  $T_j$  (°C), can be calculated using the following equation:

$$T_j = T_{amb} + (P_D \times R_{th(j-a)}) \quad (1)$$

- $T_{amb}$  = ambient temperature (°C),
- $R_{th(j-a)}$  = the package junction-to-ambient thermal resistance (°C/W)
- $P_D$  = sum of internal and I/O power dissipation

The internal power dissipation is the product of  $I_{DD(REG)(3V3)}$  and  $V_{DD(REG)(3V3)}$ . The I/O power dissipation of the I/O pins is often small and many times can be negligible. However it can be significant in some applications.

**Table 7. Thermal characteristics**

Symbol	Parameter	Min	Typ	Max	Unit
$T_{j(max)}$	maximum junction temperature	-	-	125	°C

**Table 8. Thermal resistance (LQFP packages)**

Symbol	Parameter	Conditions	Thermal resistance in °C/W ±15 %
			LQFP144
$R_{th(j-a)}$	thermal resistance from junction to ambient	JEDEC (4.5 in × 4 in); still air	38
		Single-layer (4.5 in × 3 in); still air	50
$R_{th(j-c)}$	thermal resistance from junction to case		11

**Table 9. Thermal resistance value (BGA packages)**

Symbol	Parameter	Conditions	Thermal resistance in °C/W ±15 %		
			LBGA256	TFBGA180	TFBGA100
$R_{th(j-a)}$	thermal resistance from junction to ambient	JEDEC (4.5 in × 4 in); still air	29	38	46
		8-layer (4.5 in × 3 in); still air	24	30	37
$R_{th(j-c)}$	thermal resistance from junction to case		14	11	11

## 10. Static characteristics

**Table 10. Static characteristics**

$T_{amb} = -40\text{ }^{\circ}\text{C}$  to  $+85\text{ }^{\circ}\text{C}$  unless otherwise specified.

Symbol	Parameter	Conditions	Min	Typ <sup>[1]</sup>	Max	Unit	
<b>Supply pins</b>							
$V_{DD(I/O)}$	input/output supply voltage		2.2	-	3.6	V	
$V_{DD(REG)(3V3)}$	regulator supply voltage (3.3 V)		<sup>[2]</sup> 2.2	-	3.6	V	
$V_{DDA(3V3)}$	analog supply voltage (3.3 V)	on pin VDDA	2.2	-	3.6	V	
		on pins USB0_VDDA3V3_DRIVER and USB0_VDDA3V3	3.0	3.3	3.6	V	
$V_{BAT}$	battery supply voltage		<sup>[2]</sup> 2.2	-	3.6	V	
$V_{prog(pf)}$	polyfuse programming voltage	on pin VPP (for OTP)	<sup>[3]</sup> 2.7	-	3.6	V	
$I_{prog(pf)}$	polyfuse programming current	on pin VPP; OTP programming time $\leq$ 1.6 ms	-	-	30	mA	
$I_{DD(REG)(3V3)}$	regulator supply current (3.3 V)	Active mode; code <code>while(1){}</code> executed from RAM; all peripherals disabled; PLL1 enabled					
		CCLK = 12 MHz	<sup>[4]</sup>	-	6.6	-	mA
		CCLK = 60 MHz	<sup>[4]</sup>	-	25.3	-	mA
		CCLK = 120 MHz	<sup>[4]</sup>	-	48.4	-	mA
		CCLK = 180 MHz	<sup>[4]</sup>	-	72.0	-	mA
$I_{DD(REG)(3V3)}$	regulator supply current (3.3 V)	after WFE/WFI instruction executed from RAM; all peripherals disabled					
		sleep mode	<sup>[4][5]</sup>	-	5.0	-	mA
		deep-sleep mode	<sup>[4]</sup>	-	30	-	$\mu$ A
		power-down mode	<sup>[4]</sup>	-	15	-	$\mu$ A
		deep power-down mode	<sup>[4][6]</sup>	-	0.03	-	$\mu$ A
		deep power-down mode; VBAT floating	<sup>[4]</sup>	-	2	-	$\mu$ A
$I_{BAT}$	battery supply current	active mode; $V_{BAT} = 3.2\text{ V}$ ; $V_{DD(REG)(3V3)} = 3.6\text{ V}$ .	<sup>[7]</sup>	-	0	nA	
$I_{BAT}$	battery supply current	$V_{DD(REG)(3V3)} = 3.3\text{ V}$ ; $V_{BAT} = 3.6\text{ V}$ deep-sleep mode	<sup>[9]</sup>	-	2	$\mu$ A	
		power-down mode	<sup>[9]</sup>	-	2	$\mu$ A	
		deep power-down mode	<sup>[9]</sup>	-	2	$\mu$ A	
		deep power-down mode	<sup>[9]</sup>	-	2	$\mu$ A	

Table 10. Static characteristics ...continued

 $T_{amb} = -40\text{ }^{\circ}\text{C}$  to  $+85\text{ }^{\circ}\text{C}$  unless otherwise specified.

Symbol	Parameter	Conditions	Min	Typ <sup>[1]</sup>	Max	Unit
$I_{DD(IO)}$	I/O supply current	deep sleep mode	-	1	-	$\mu\text{A}$
		power-down mode	-	1	-	$\mu\text{A}$
		deep power-down mode	[8]	-	0.05	-
$I_{DDA}$	Analog supply current	on pin VDDA; deep sleep mode	[11]	-	0.4	$\mu\text{A}$
		power-down mode	[11]	-	0.4	$\mu\text{A}$
		deep power-down mode	[11]	-	0.007	$\mu\text{A}$
<b>RESET, RTC_ALARM, WAKEUPn pins</b>						
$V_{IH}$	HIGH-level input voltage		[10]	$0.8 \times (V_{ps} - 0.35)$	-	5.5 V
$V_{IL}$	LOW-level input voltage		[10]	0	-	$0.3 \times (V_{ps} - 0.1)$ V
$V_{hys}$	hysteresis voltage		[10]	$0.05 \times (V_{ps} - 0.35)$	-	V
$V_O$	output voltage		[10]	-	$V_{ps} - 0.2$	V
<b>Standard I/O pins - normal drive strength</b>						
$C_I$	input capacitance		-	-	2	pF
$I_{LL}$	LOW-level leakage current	$V_I = 0\text{ V}$ ; on-chip pull-up resistor disabled	-	3	-	nA
$I_{LH}$	HIGH-level leakage current	$V_I = V_{DD(IO)}$ ; on-chip pull-down resistor disabled	-	3	-	nA
		$V_I = 5\text{ V}$	-	-	20	nA
$I_{OZ}$	OFF-state output current	$V_O = 0\text{ V}$ to $V_{DD(IO)}$ ; on-chip pull-up/down resistors disabled; absolute value	-	3	-	nA
$V_I$	input voltage	pin configured to provide a digital function; $V_{DD(IO)} \geq 2.2\text{ V}$	0	-	5.5	V
		$V_{DD(IO)} = 0\text{ V}$	0	-	3.6	V
$V_O$	output voltage	output active	0	-	$V_{DD(IO)}$	V
$V_{IH}$	HIGH-level input voltage		$0.7 \times V_{DD(IO)}$	-	5.5	V
$V_{IL}$	LOW-level input voltage		0	-	$0.3 \times V_{DD(IO)}$	V
$V_{hys}$	hysteresis voltage		$0.1 \times V_{DD(IO)}$	-	-	V
$V_{OH}$	HIGH-level output voltage	$I_{OH} = -6\text{ mA}$	$V_{DD(IO)} - 0.4$	-	-	V
$V_{OL}$	LOW-level output voltage	$I_{OL} = 6\text{ mA}$	-	-	0.4	V
$I_{OH}$	HIGH-level output current	$V_{OH} = V_{DD(IO)} - 0.4\text{ V}$	-6	-	-	mA

Table 10. Static characteristics ...continued

 $T_{amb} = -40\text{ }^{\circ}\text{C}$  to  $+85\text{ }^{\circ}\text{C}$  unless otherwise specified.

Symbol	Parameter	Conditions	Min	Typ <sup>[1]</sup>	Max	Unit
$I_{OL}$	LOW-level output current	$V_{OL} = 0.4\text{ V}$	6	-	-	mA
$I_{OHS}$	HIGH-level short-circuit output current	drive HIGH; connected to ground	[12]	-	86.5	mA
$I_{OLS}$	LOW-level short-circuit output current	drive LOW; connected to $V_{DD(IO)}$	[12]	-	76.5	mA
$I_{pd}$	pull-down current	$V_I = 5\text{ V}$	[14] [15] [16]	-	93	$\mu\text{A}$
$I_{pu}$	pull-up current	$V_I = 0\text{ V}$	[14] [15] [16]	-	-62	$\mu\text{A}$
		$V_{DD(IO)} < V_I \leq 5\text{ V}$		-	10	$\mu\text{A}$
$R_s$	series resistance	on I/O pins with analog function; analog function enabled		200		$\Omega$
<b>I/O pins - high drive strength</b>						
$C_I$	input capacitance		-	-	5.2	pF
$I_{LL}$	LOW-level leakage current	$V_I = 0\text{ V}$ ; on-chip pull-up resistor disabled	-	3	-	nA
$I_{LH}$	HIGH-level leakage current	$V_I = V_{DD(IO)}$ ; on-chip pull-down resistor disabled	-	3	-	nA
		$V_I = 5\text{ V}$	-	-	20	nA
$I_{OZ}$	OFF-state output current	$V_O = 0\text{ V}$ to $V_{DD(IO)}$ ; on-chip pull-up/down resistors disabled; absolute value	-	3	-	nA
$V_I$	input voltage	pin configured to provide a digital function; $V_{DD(IO)} \geq 2.2\text{ V}$	0	-	5.5	V
		$V_{DD(IO)} = 0\text{ V}$	0	-	3.6	V
$V_O$	output voltage	output active	0	-	$V_{DD(IO)}$	V
$V_{IH}$	HIGH-level input voltage		$0.7 \times V_{DD(IO)}$	-	5.5	V
$V_{IL}$	LOW-level input voltage		0	-	$0.3 \times V_{DD(IO)}$	V
$V_{hys}$	hysteresis voltage		$0.1 \times V_{DD(IO)}$	-	-	V
$I_{pd}$	pull-down current	$V_I = V_{DD(IO)}$	[14] [15] [16]	-	62	$\mu\text{A}$
$I_{pu}$	pull-up current	$V_I = 0\text{ V}$	[14] [15] [16]	-	-62	$\mu\text{A}$
		$V_{DD(IO)} < V_I \leq 5\text{ V}$		-	10	$\mu\text{A}$

**Table 10. Static characteristics ...continued**

$T_{amb} = -40\text{ }^{\circ}\text{C}$  to  $+85\text{ }^{\circ}\text{C}$  unless otherwise specified.

Symbol	Parameter	Conditions	Min	Typ <sup>[1]</sup>	Max	Unit
<b>I/O pins - high drive strength: standard drive mode</b>						
$I_{OH}$	HIGH-level output current	$V_{OH} = V_{DD(I/O)} - 0.4\text{ V}$	-4	-	-	mA
$I_{OL}$	LOW-level output current	$V_{OL} = 0.4\text{ V}$	4	-	-	mA
$I_{OHS}$	HIGH-level short-circuit output current	drive HIGH; connected to ground	[12] -	-	32	mA
$I_{OLS}$	LOW-level short-circuit output current	drive LOW; connected to $V_{DD(I/O)}$	[12] -	-	32	mA
<b>I/O pins - high drive strength: medium drive mode</b>						
$I_{OH}$	HIGH-level output current	$V_{OH} = V_{DD(I/O)} - 0.4\text{ V}$	-8	-	-	mA
$I_{OL}$	LOW-level output current	$V_{OL} = 0.4\text{ V}$	8	-	-	mA
$I_{OHS}$	HIGH-level short-circuit output current	drive HIGH; connected to ground	[12] -	-	65	mA
$I_{OLS}$	LOW-level short-circuit output current	drive LOW; connected to $V_{DD(I/O)}$	[12] -	-	63	mA
<b>I/O pins - high drive strength: high drive mode</b>						
$I_{OH}$	HIGH-level output current	$V_{OH} = V_{DD(I/O)} - 0.4\text{ V}$	-14	-	-	mA
$I_{OL}$	LOW-level output current	$V_{OL} = 0.4\text{ V}$	14	-	-	mA
$I_{OHS}$	HIGH-level short-circuit output current	drive HIGH; connected to ground	[12] -	-	113	mA
$I_{OLS}$	LOW-level short-circuit output current	drive LOW; connected to $V_{DD(I/O)}$	[12] -	-	110	mA
<b>I/O pins - high drive strength: ultra-high drive mode</b>						
$I_{OH}$	HIGH-level output current	$V_{OH} = V_{DD(I/O)} - 0.4\text{ V}$	-20	-	-	mA
$I_{OL}$	LOW-level output current	$V_{OL} = 0.4\text{ V}$	20	-	-	mA
$I_{OHS}$	HIGH-level short-circuit output current	drive HIGH; connected to ground	[12] -	-	165	mA
$I_{OLS}$	LOW-level short-circuit output current	drive LOW; connected to $V_{DD(I/O)}$	[12] -	-	156	mA
<b>I/O pins - high-speed</b>						
$C_I$	input capacitance		-	-	2	pF
$I_{LL}$	LOW-level leakage current	$V_I = 0\text{ V}$ ; on-chip pull-up resistor disabled	-	3	-	nA
$I_{LH}$	HIGH-level leakage current	$V_I = V_{DD(I/O)}$ ; on-chip pull-down resistor disabled	-	3	-	nA
		$V_I = 5\text{ V}$	-	-	20	nA

Table 10. Static characteristics ...continued

 $T_{amb} = -40\text{ }^{\circ}\text{C}$  to  $+85\text{ }^{\circ}\text{C}$  unless otherwise specified.

Symbol	Parameter	Conditions	Min	Typ <sup>[1]</sup>	Max	Unit
$I_{OZ}$	OFF-state output current	$V_O = 0\text{ V}$ to $V_{DD(IO)}$ ; on-chip pull-up/down resistors disabled; absolute value	-	3	-	nA
$V_I$	input voltage	pin configured to provide a digital function; $V_{DD(IO)} \geq 2.2\text{ V}$	0	-	5.5	V
		$V_{DD(IO)} = 0\text{ V}$	0	-	3.6	V
$V_O$	output voltage	output active	0	-	$V_{DD(IO)}$	V
$V_{IH}$	HIGH-level input voltage		$0.7 \times V_{DD(IO)}$	-	5.5	V
$V_{IL}$	LOW-level input voltage		0	-	$0.3 \times V_{DD(IO)}$	V
$V_{hys}$	hysteresis voltage		$0.1 \times V_{DD(IO)}$	-	-	V
$V_{OH}$	HIGH-level output voltage	$I_{OH} = -8\text{ mA}$	$V_{DD(IO)} - 0.4$	-	-	V
$V_{OL}$	LOW-level output voltage	$I_{OL} = 8\text{ mA}$	-	-	0.4	V
$I_{OH}$	HIGH-level output current	$V_{OH} = V_{DD(IO)} - 0.4\text{ V}$	-8	-	-	mA
$I_{OL}$	LOW-level output current	$V_{OL} = 0.4\text{ V}$	8	-	-	mA
$I_{OHS}$	HIGH-level short-circuit output current	drive HIGH; connected to ground	[12]	-	86	mA
$I_{OLS}$	LOW-level short-circuit output current	drive LOW; connected to $V_{DD(IO)}$	[12]	-	76	mA
$I_{pd}$	pull-down current	$V_I = V_{DD(IO)}$	[14] [15] [16]	-	62	$\mu\text{A}$
		$V_I = 0\text{ V}$	[14] [15] [16]	-	-62	$\mu\text{A}$
		$V_{DD(IO)} < V_I \leq 5\text{ V}$		-	0	$\mu\text{A}$
<b>Open-drain I<sup>2</sup>C0-bus pins</b>						
$V_{IH}$	HIGH-level input voltage		$0.7 \times V_{DD(IO)}$	-	-	V
$V_{IL}$	LOW-level input voltage		0	0.14	$0.3 \times V_{DD(IO)}$	V
$V_{hys}$	hysteresis voltage		$0.1 \times V_{DD(IO)}$	-	-	V
$V_{OL}$	LOW-level output voltage	$I_{OLS} = 3\text{ mA}$	-	-	0.4	V
$I_{LI}$	input leakage current	$V_I = V_{DD(IO)}$	[13]	-	4.5	$\mu\text{A}$
		$V_I = 5\text{ V}$		-	10	$\mu\text{A}$

**Table 10. Static characteristics ...continued**

$T_{amb} = -40\text{ }^{\circ}\text{C}$  to  $+85\text{ }^{\circ}\text{C}$  unless otherwise specified.

Symbol	Parameter	Conditions	Min	Typ <sup>[1]</sup>	Max	Unit
<b>Oscillator pins</b>						
$V_{i(XTAL1)}$	input voltage on pin XTAL1		-0.5	-	1.2	V
$V_{o(XTAL2)}$	output voltage on pin XTAL2		-0.5	-	1.2	V
$C_{io}$	input/output capacitance		[17]	-	0.8	pF
<b>USB0 pins<sup>[18]</sup></b>						
$V_I$	input voltage	on pins USB0_DP; USB0_DM; USB0_VBUS $V_{DD(IO)} \geq 2.2\text{ V}$	0	-	5.25	V
		$V_{DD(IO)} = 0\text{ V}$	0	-	3.6	V
$R_{pd}$	pull-down resistance	on pin USB0_VBUS	48	64	80	k $\Omega$
$V_{IC}$	common-mode input voltage	high-speed mode	-50	200	500	mV
		full-speed/low-speed mode	800	-	2500	mV
		chirp mode	-50	-	600	mV
$V_{i(dif)}$	differential input voltage		100	400	1100	mV
<b>USB1 pins (USB1_DP/USB1_DM)<sup>[18]</sup></b>						
$I_{OZ}$	OFF-state output current	$0\text{ V} < V_I < 3.3\text{ V}$	[18]	-	$\pm 10$	$\mu\text{A}$
$V_{BUS}$	bus supply voltage		[19]	-	5.25	V
$V_{DI}$	differential input sensitivity voltage	$ (D+) - (D-) $	0.2	-	-	V
$V_{CM}$	differential common mode voltage range	includes $V_{DI}$ range	0.8	-	2.5	V
$V_{th(rs)se}$	single-ended receiver switching threshold voltage		0.8	-	2.0	V
$V_{OL}$	LOW-level output voltage for low-/full-speed	$R_L$ of 1.5 k $\Omega$ to 3.6 V	-	-	0.18	V
$V_{OH}$	HIGH-level output voltage (driven) for low-/full-speed	$R_L$ of 15 k $\Omega$ to GND	2.8	-	3.5	V
$C_{trans}$	transceiver capacitance	pin to GND	-	-	20	pF
$Z_{DRV}$	driver output impedance for driver which is not high-speed capable	with 33 $\Omega$ series resistor; steady state drive	[20]	36	44.1	$\Omega$

[1] Typical ratings are not guaranteed. The values listed are at room temperature (25 °C), nominal supply voltages.

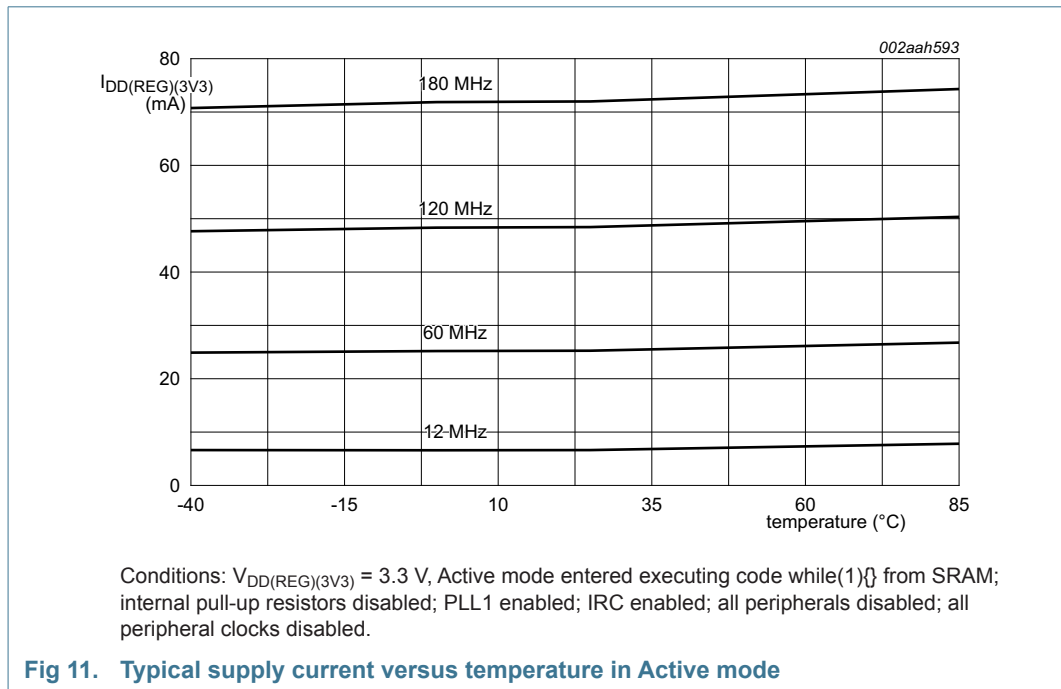
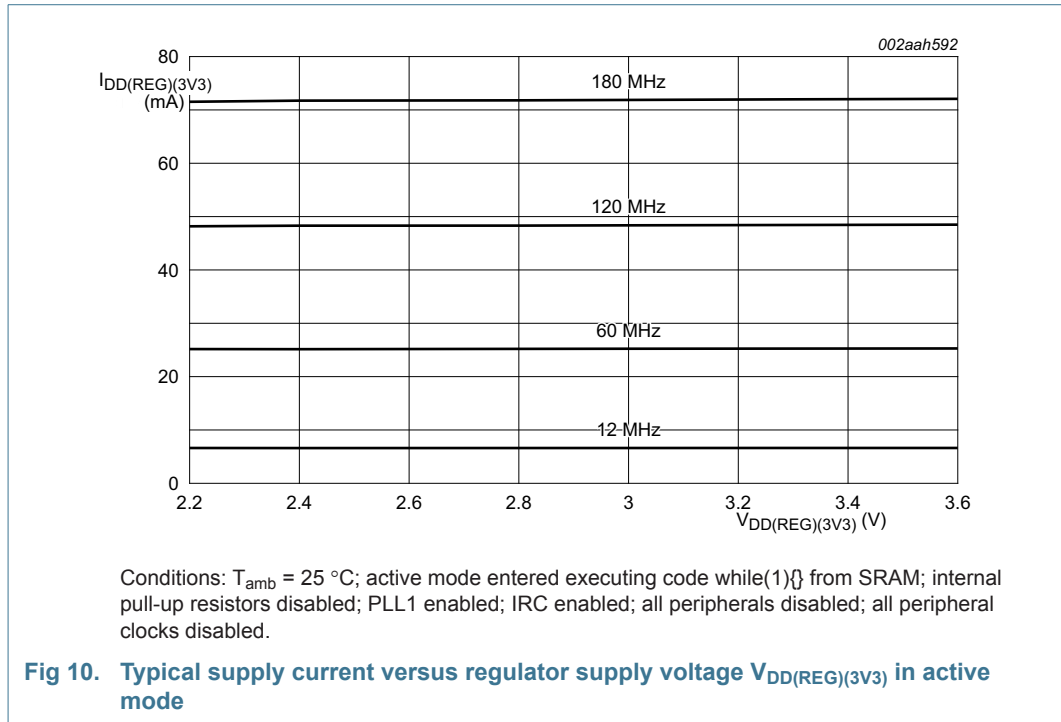
[2] Dynamic characteristics for peripherals are provided for  $V_{DD(REG)(3V3)} \geq 2.7\text{ V}$ .

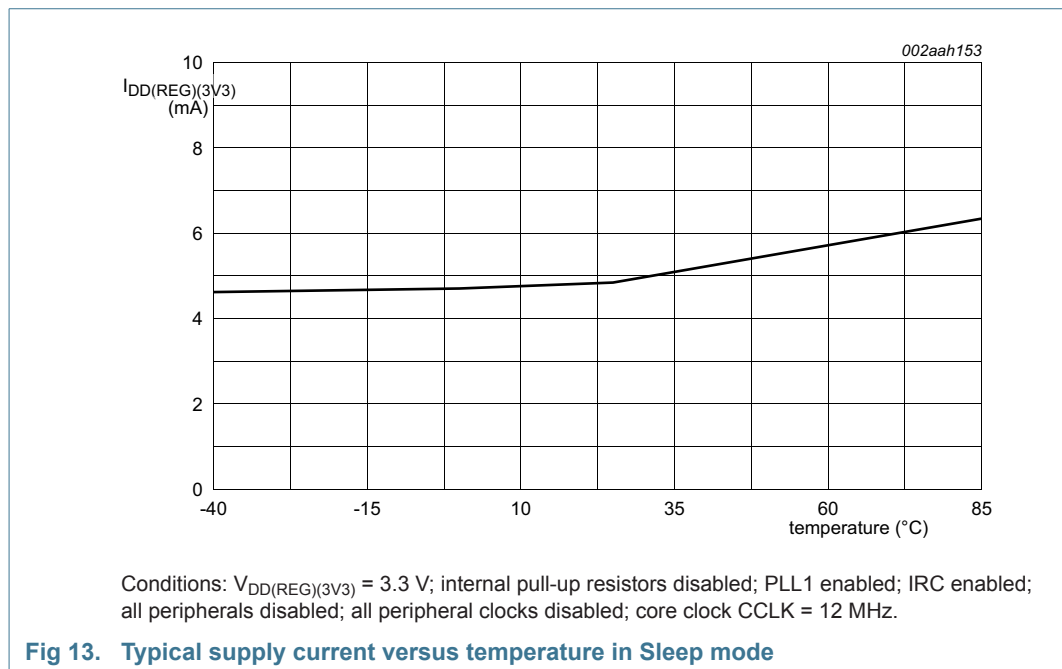
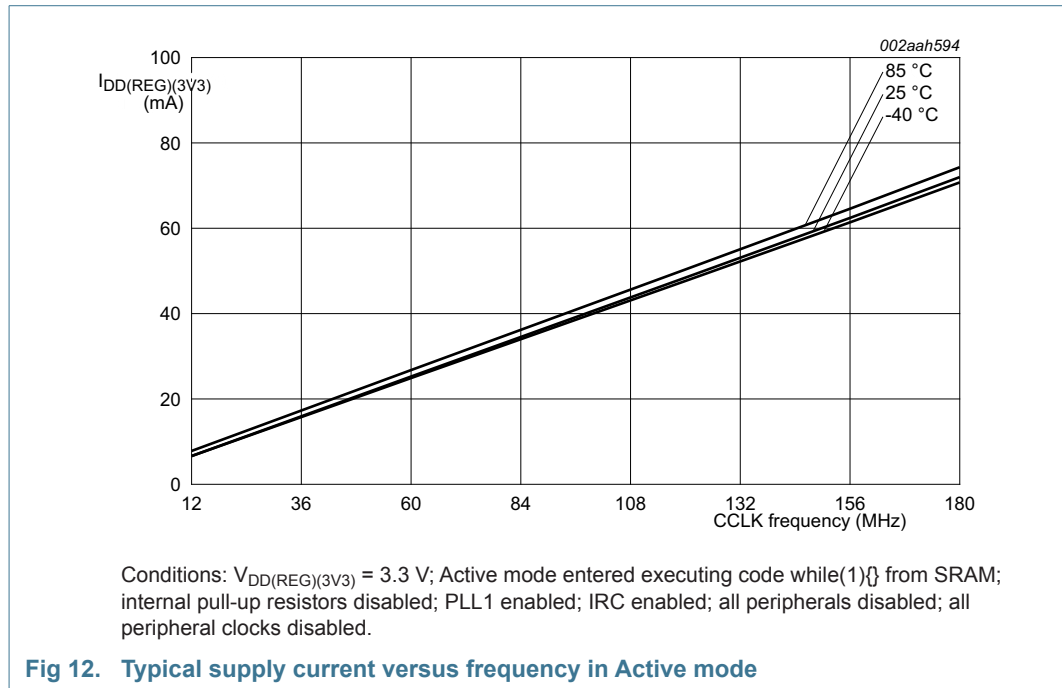
[3] Pin VPP should either be not connected (when OTP does not need to be programmed) or tied to pins VDDIO and VDDREG to ensure the same ramp-up time for both supply voltages.

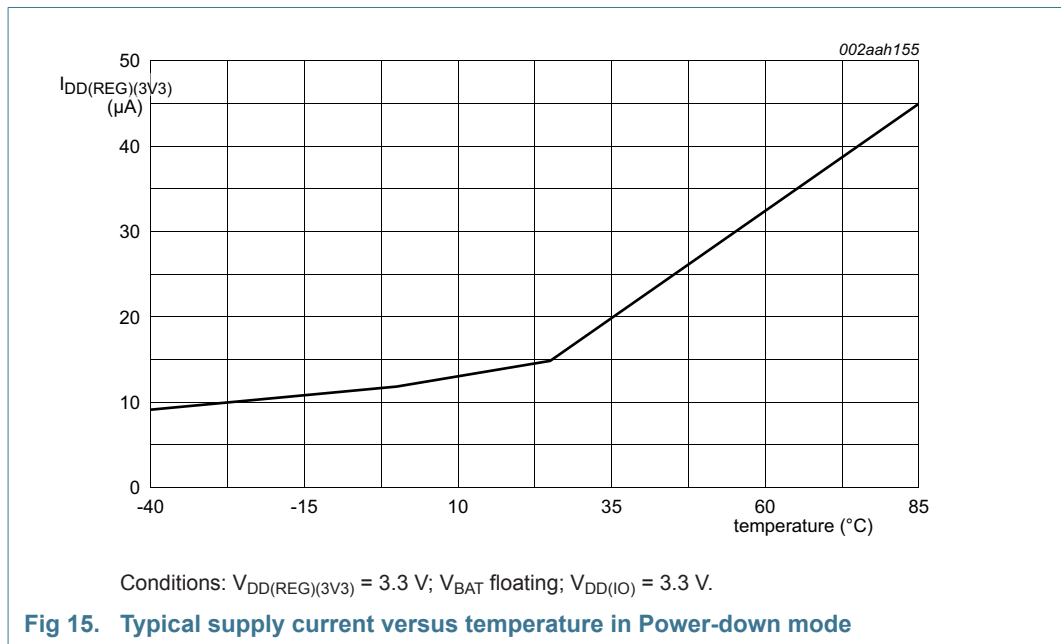
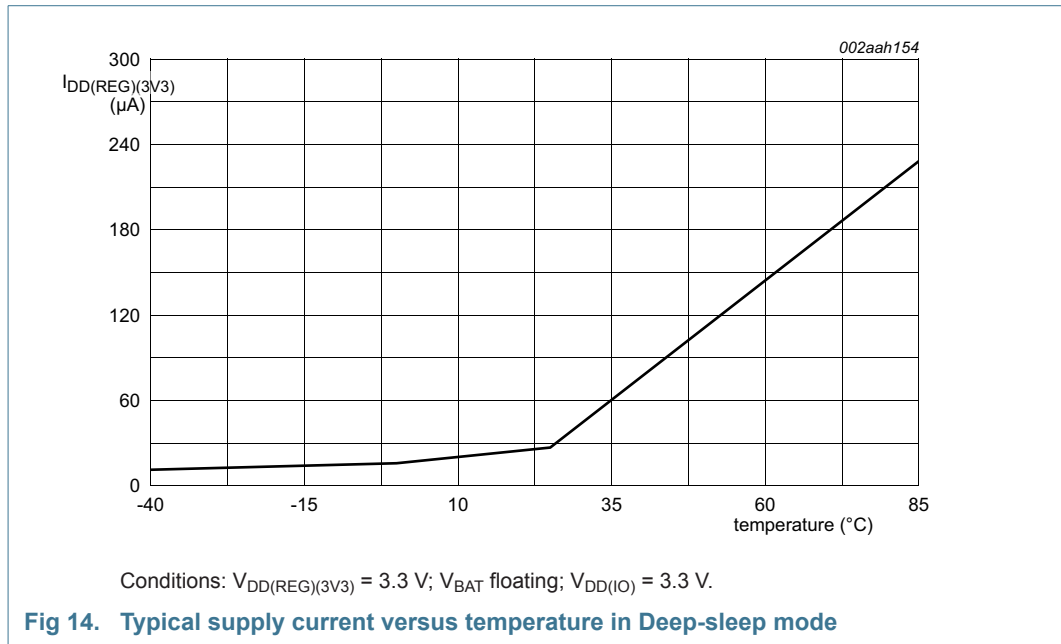
[4]  $V_{DD(REG)(3V3)} = 3.3\text{ V}$ ;  $V_{DD(IO)} = 3.3\text{ V}$ ;  $T_{amb} = 25\text{ }^{\circ}\text{C}$ .

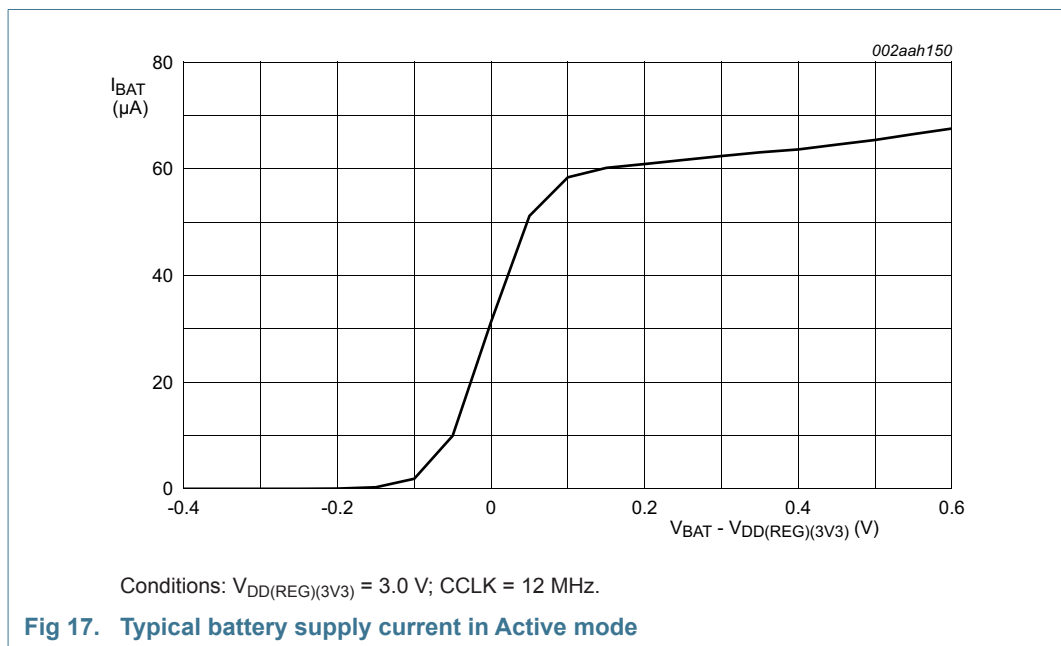
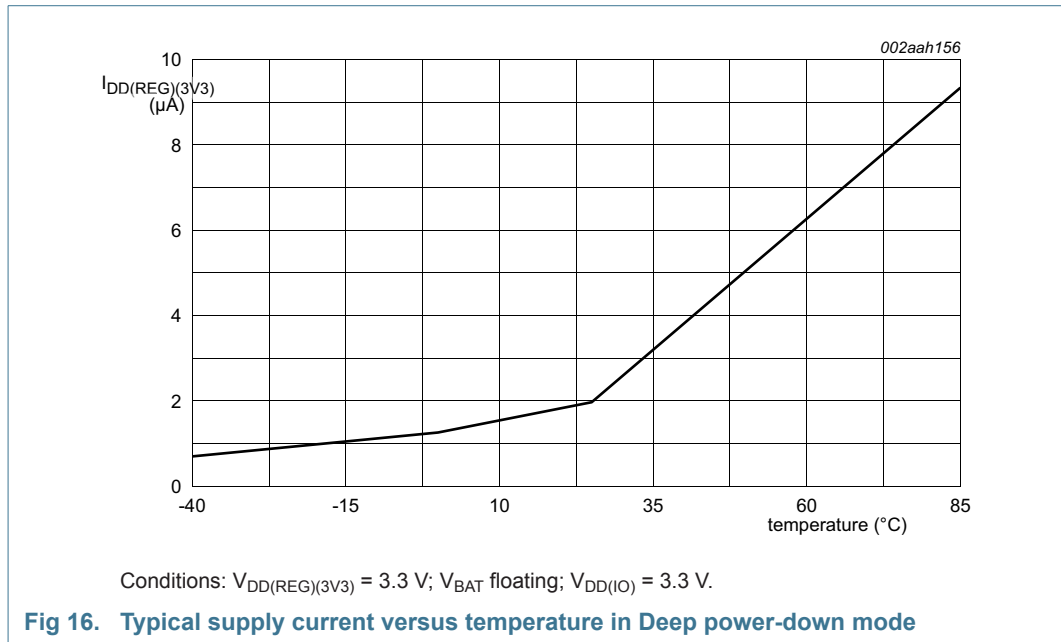
- [5] PLL1 disabled; IRC running; CCLK = 12 MHz.
- [6]  $V_{BAT} = 3.6$  V.
- [7]  $V_{DD(I/O)} = V_{DDA} = 3.6$  V; over entire frequency range CCLK = 12 MHz to 180 MHz.
- [8]  $V_{DD(REG)(3V3)} = 3.3$  V;  $V_{DD(I/O)} = 3.3$  V. Input leakage increases when  $V_{DD(I/O)}$  is floating or grounded. It is recommended to keep  $V_{DD(REG)(3V3)}$  and  $V_{DD(I/O)}$  powered in deep power-down mode.
- [9] On pin VBAT;  $T_{amb} = 25$  °C.
- [10]  $V_{ps}$  corresponds to the output of the power switch (see [Figure 9](#)) which is determined by the greater of  $V_{BAT}$  and  $V_{DD(REG)(3V3)}$ .
- [11]  $V_{DDA(3V3)} = 3.3$  V;  $T_{amb} = 25$  °C.
- [12] Allowed as long as the current limit does not exceed the maximum current allowed by the device.
- [13] To  $V_{SS}$ .
- [14] The values specified are simulated and absolute values.
- [15] The weak pull-up resistor is connected to the  $V_{DD(I/O)}$  rail and pulls up the I/O pin to the  $V_{DD(I/O)}$  level.
- [16] The input cell disables the weak pull-up resistor when the applied input voltage exceeds  $V_{DD(I/O)}$ .
- [17] The parameter value specified is a simulated value excluding bond capacitance.
- [18] For USB operation  $3.0$  V  $\leq V_{DD(I/O)} \leq 3.6$  V. Guaranteed by design.
- [19]  $V_{DD(I/O)}$  present.
- [20] Includes external resistors of  $33 \Omega \pm 1\%$  on D+ and D-.

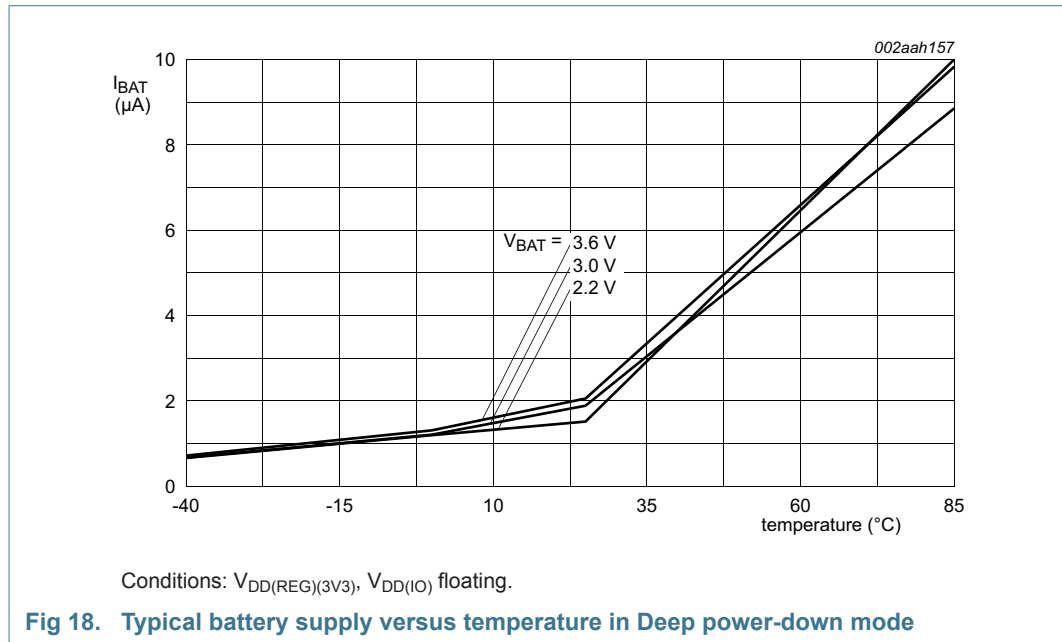
10.1 Power consumption











## 10.2 Peripheral power consumption

The typical power consumption at  $T = 25\text{ }^{\circ}\text{C}$  for each individual peripheral is measured as follows:

1. Enable all branch clocks and measure the current  $I_{DD(REG)(3V3)}$ .
2. Disable the branch clock to the peripheral to be measured and keep all other branch clocks enabled.
3. Calculate the difference between measurement 1 and 2. The result is the peripheral power consumption.

**Table 11. Peripheral power consumption**

Peripheral	Branch clock	$I_{DD(REG)(3V3)}$ in mA	
		Branch clock frequency = 48 MHz	Branch clock frequency = 96 MHz
I2C1	CLK_APB3_I2C1	0.01	0.02
I2C0	CLK_APB1_I2C0	0.02	0.01
DAC	CLK_APB3_DAC	0.01	0.02
ADC0	CLK_APB3_ADC0	0.05	0.05
ADC1	CLK_APB3_ADC1	0.04	0.04
CAN0	CLK_APB3_CAN0	0.17	0.17
CAN1	CLK_APB1_CAN1	0.17	0.17
MOTOCON	CLK_APB1_MOTOCON	0.05	0.05
I2S	CLK_APB1_I2S	0.11	0.11
SPIFI	CLK_SPIFI, CLK_M3_SPIFI	0.95	1.85
GPIO	CLK_M3_GPIO	0.66	1.31
LCD	CLK_M3_LCD	0.85	1.72

Table 11. Peripheral power consumption

Peripheral	Branch clock	I <sub>DD(REG)(3V3)</sub> in mA	
		Branch clock frequency = 48 MHz	Branch clock frequency = 96 MHz
ETHERNET	CLK_M3_ETHERNET	1.05	2.09
UART0	CLK_M3_UART0, CLK_APB0_UART0	0.3	0.38
UART1	CLK_M3_UART1, CLK_APB0_UART1	0.27	0.48
UART2	CLK_M3_UART2, CLK_APB2_UART2	0.27	0.47
UART3	CLK_M3_USART3, CLK_APB2_UART3	0.29	0.49
TIMER0	CLK_M3_TIMER0	0.07	0.14
TIMER1	CLK_M3_TIMER1	0.07	0.14
TIMER2	CLK_M3_TIMER2	0.07	0.15
TIMER3	CLK_M3_TIMER3	0.06	0.11
SDIO	CLK_M3_SDIO, CLK_SDIO	0.79	1.37
SCTimer/PWM	CLK_M3_SCT	0.52	1.05
SSP0	CLK_M3_SSP0, CLK_APB0_SSP0	0.12	0.21
SSP1	CLK_M3_SSP1, CLK_APB2_SSP1	0.15	0.28
DMA	CLK_M3_DMA	1.88	3.71
WWDT	CLK_M3_WWDT	0.05	0.08
QEI	CLK_M3_QEI	0.33	0.68
USB0	CLK_M3_USB0, CLK_USB0	1.46	3.32
USB1	CLK_M3_USB1, CLK_USB1	2.83	5.03
RITIMER	CLK_M3_RITIMER	0.04	0.08
EMC	CLK_M3_EMCC, CLK_M3_EMCC_DIV	3.6	6.97
SCU	CLK_M3_SCU	0.09	0.23
CREG	CLK_M3_CREG	0.37	0.72

### 10.3 BOD characteristics

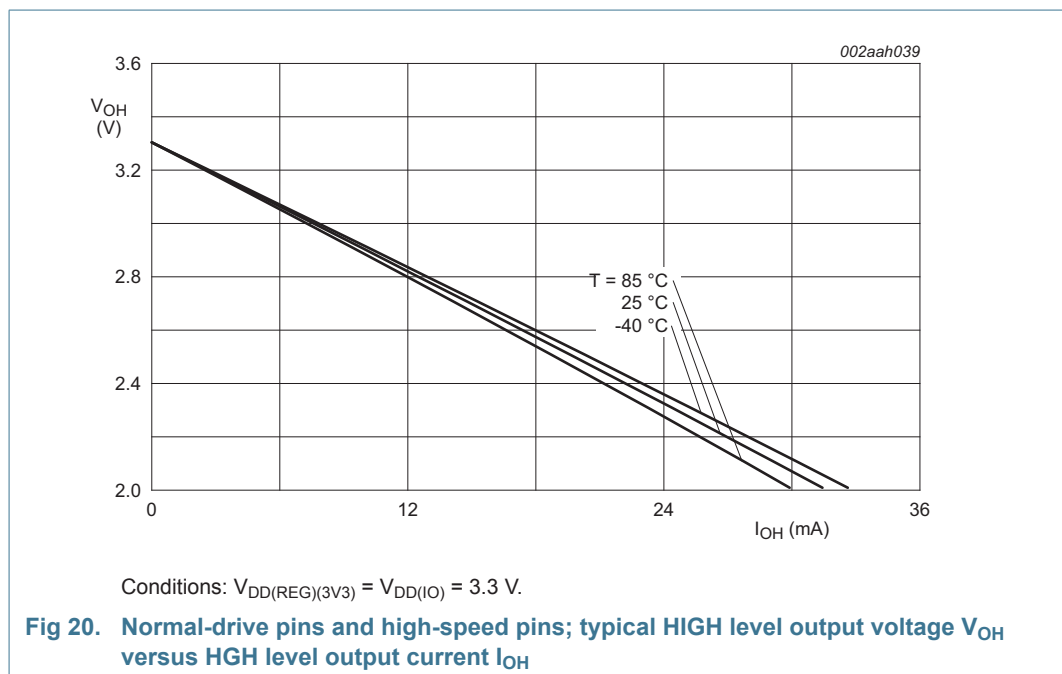
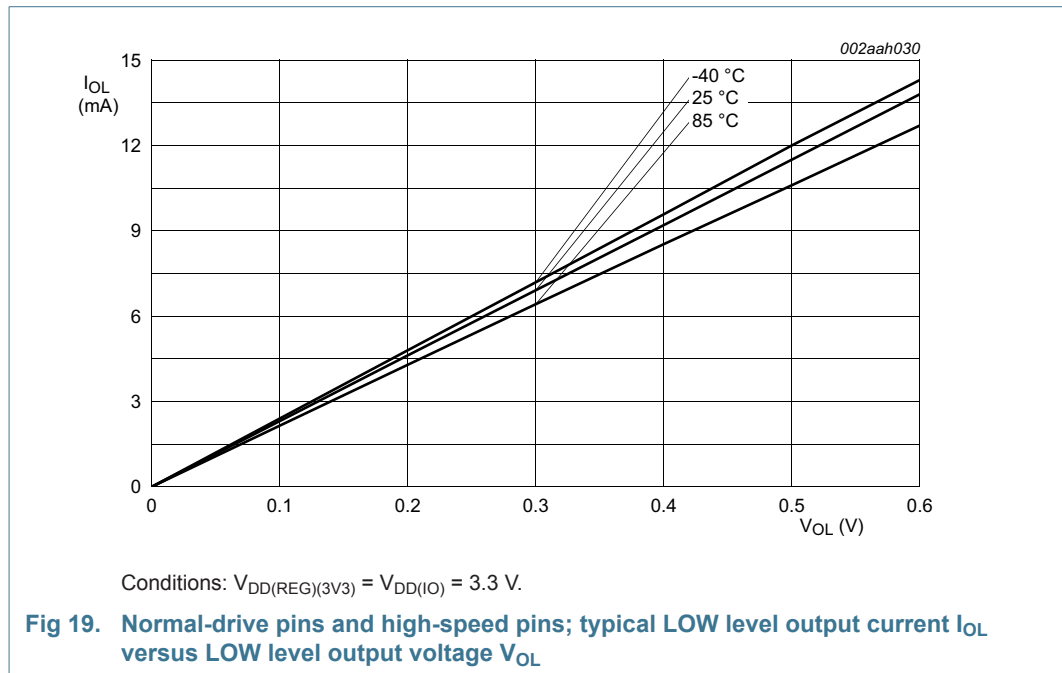
**Table 12. BOD static characteristics**<sup>[1]</sup>

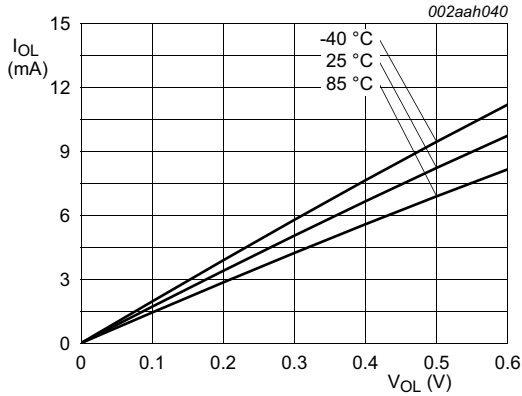
$T_{amb} = 25\text{ }^{\circ}\text{C}$ ; typical data.

Symbol	Parameter	Conditions	Min	Typ	Max	Unit	
V <sub>th</sub>	threshold voltage	interrupt level 0					
		assertion	-	2.75	-	V	
		de-assertion	-	2.92	-	V	
		interrupt level 1					
		assertion	-	2.85	-	V	
		de-assertion	-	3.00	-	V	
		interrupt level 2					
		assertion	-	2.95	-	V	
		de-assertion	-	3.12	-	V	
		interrupt level 3					
		assertion	-	3.05	-	V	
		de-assertion	-	3.19	-	V	
		reset level 0					
		assertion	-	1.70	-	V	
		de-assertion	-	1.85	-	V	
		reset level 1					
		assertion	-	1.80	-	V	
		de-assertion	-	1.95	-	V	
		reset level 2					
		assertion	-	1.90	-	V	
		de-assertion	-	2.05	-	V	
		reset level 3					
		assertion	-	2.00	-	V	
		de-assertion	-	2.15	-	V	

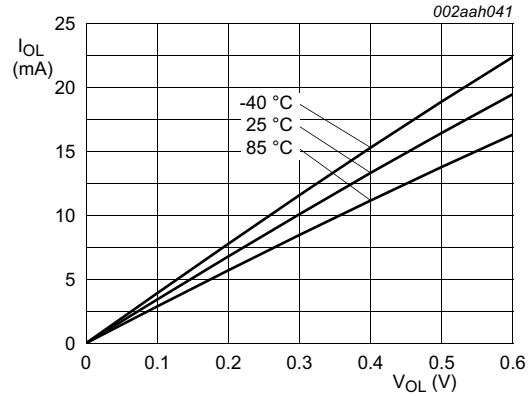
[1] Interrupt and reset levels are selected by writing to the BODLV1/2 bits in the control register CREGE0, see the *LPC18xx user manual*.

10.4 Electrical pin characteristics

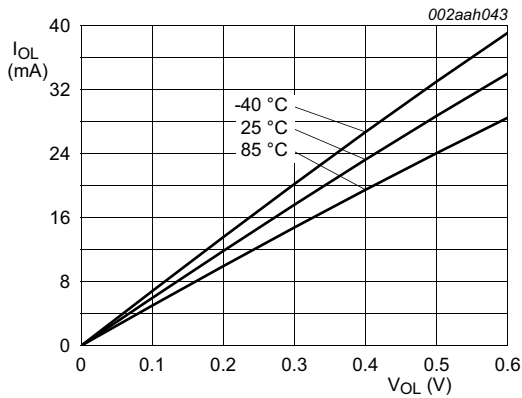




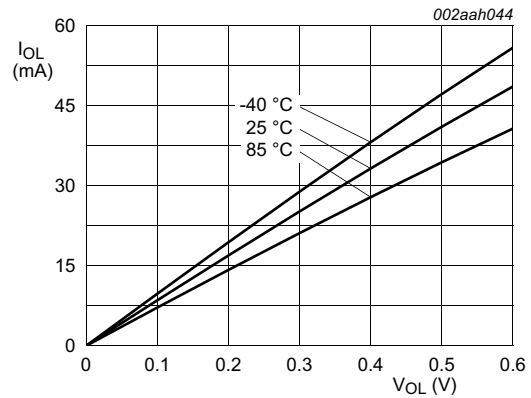
Conditions:  $V_{DD(REG)(3V3)} = V_{DD(IO)} = 3.3$  V; normal-drive; EHD = 0x0.



Conditions:  $V_{DD(REG)(3V3)} = V_{DD(IO)} = 3.3$  V; medium-drive; EHD = 0x1.

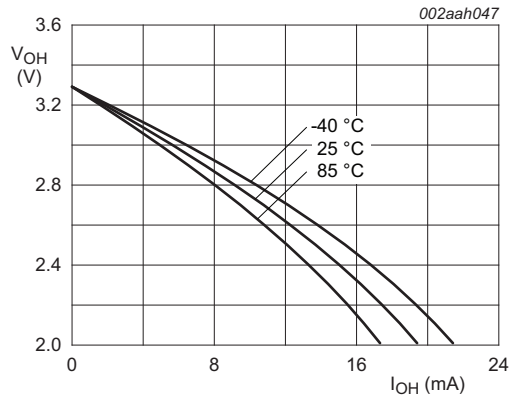


Conditions:  $V_{DD(REG)(3V3)} = V_{DD(IO)} = 3.3$  V; high-drive; EHD = 0x2.

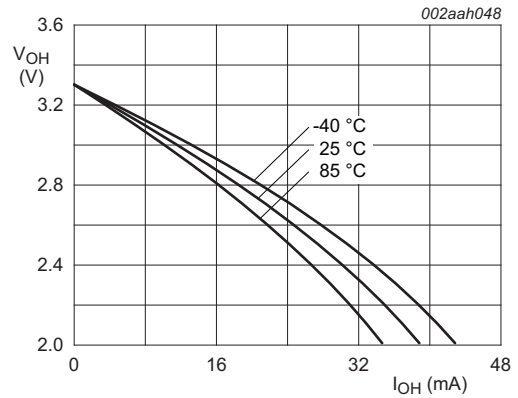


Conditions:  $V_{DD(REG)(3V3)} = V_{DD(IO)} = 3.3$  V; ultra high-drive; EHD = 0x3.

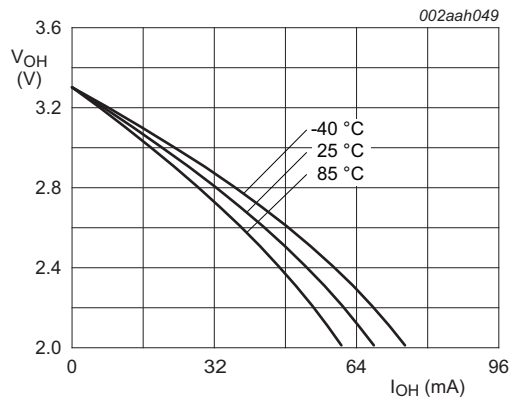
Fig 21. High-drive pins; typical LOW level output current  $I_{OL}$  versus LOW level output voltage  $V_{OL}$



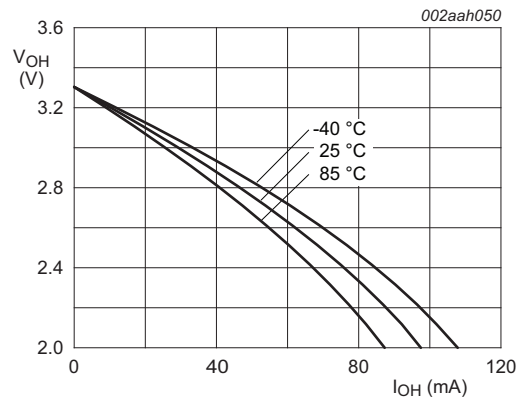
Conditions:  $V_{DD(REG)(3V3)} = V_{DD(IO)} = 3.3\text{ V}$ ; normal-drive; EHD = 0x0.



Conditions:  $V_{DD(REG)(3V3)} = V_{DD(IO)} = 3.3\text{ V}$ ; medium-drive; EHD = 0x1.

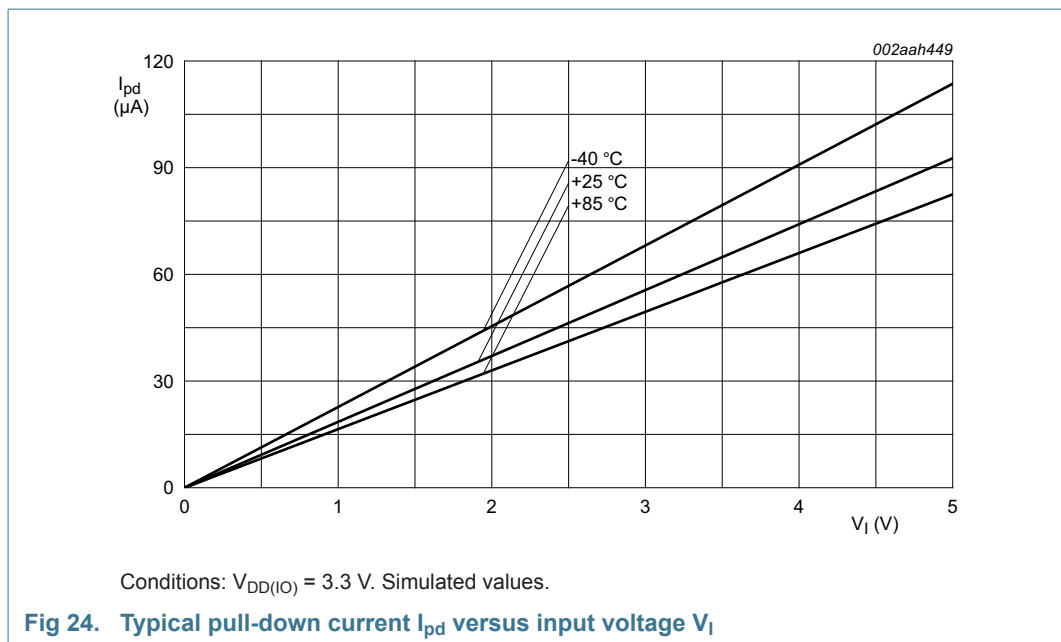
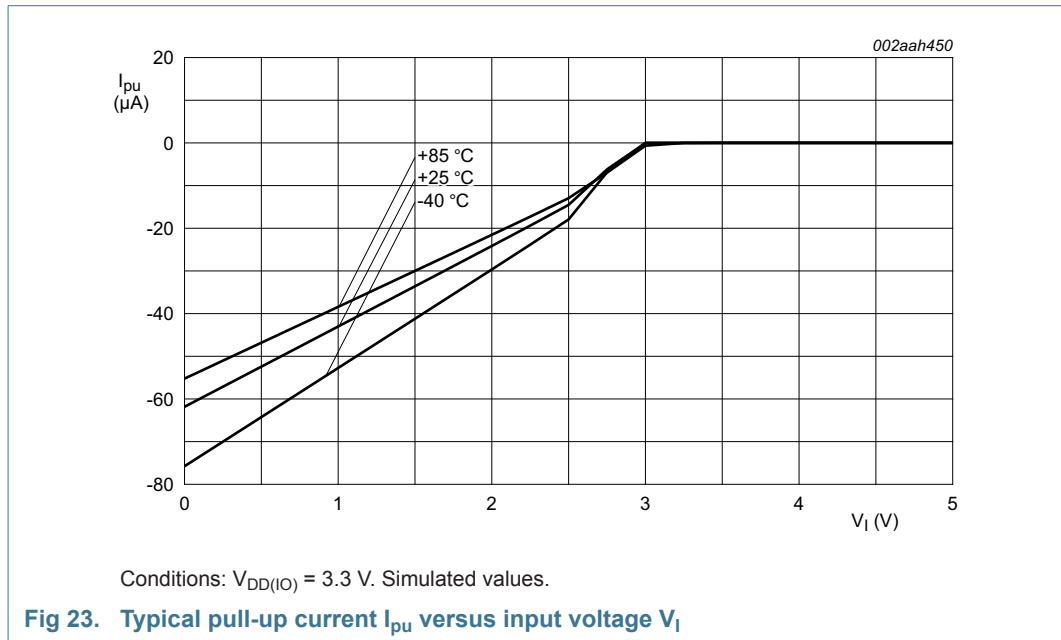


Conditions:  $V_{DD(REG)(3V3)} = V_{DD(IO)} = 3.3\text{ V}$ ; high-drive; EHD = 0x2.



Conditions:  $V_{DD(REG)(3V3)} = V_{DD(IO)} = 3.3\text{ V}$ ; ultra high-drive; EHD = 0x3.

Fig 22. High-drive pins; typical HIGH level output voltage  $V_{OH}$  versus HIGH level output current  $I_{OH}$



## 11. Dynamic characteristics

### 11.1 Wake-up times

**Table 13. Dynamic characteristic: Wake-up from Deep-sleep, Power-down, and Deep power-down modes**

$T_{amb} = -40\text{ }^{\circ}\text{C to }+85\text{ }^{\circ}\text{C}$

Symbol	Parameter	Conditions	Min	Typ <sup>[1]</sup>	Max	Unit
$t_{wake}$	wake-up time	from Sleep mode	[2] $3 \times T_{cy(clk)}$	$5 \times T_{cy(clk)}$	-	ns
		from Deep-sleep and Power-down mode	12	51	-	$\mu\text{s}$
		from Deep power-down mode	-	250	-	$\mu\text{s}$
		after reset	-	250	-	$\mu\text{s}$

[1] Typical ratings are not guaranteed. The values listed are at room temperature (25 °C), nominal supply voltages.

[2]  $T_{cy(clk)} = 1/\text{CCLK}$  with CCLK = CPU clock frequency.

### 11.2 External clock for oscillator in slave mode

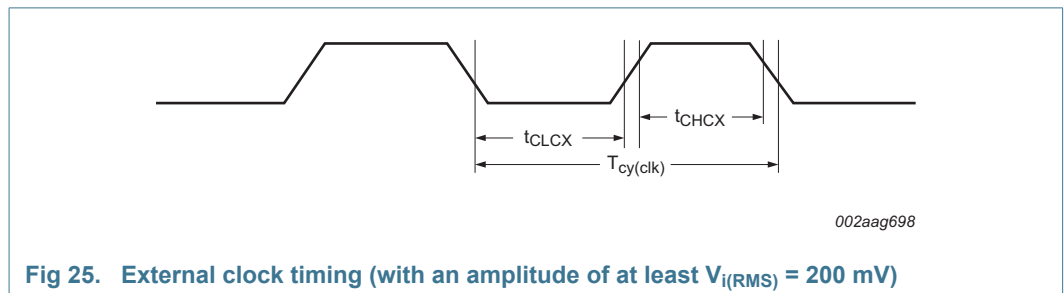
**Remark:** The input voltage on the XTAL1/2 pins must be  $\leq 1.2\text{ V}$  (see Table 10). For connecting the oscillator to the XTAL pins, also see Section 13.2 and Section 13.4.

**Table 14. Dynamic characteristic: external clock**

$T_{amb} = -40\text{ }^{\circ}\text{C to }+85\text{ }^{\circ}\text{C}; V_{DD(I/O)}$  over specified ranges.<sup>[1]</sup>

Symbol	Parameter	Min	Max	Unit
$f_{osc}$	oscillator frequency	1	25	MHz
$T_{cy(clk)}$	clock cycle time	40	1000	ns
$t_{CHCX}$	clock HIGH time	$T_{cy(clk)} \times 0.4$	$T_{cy(clk)} \times 0.6$	ns
$t_{CLCX}$	clock LOW time	$T_{cy(clk)} \times 0.4$	$T_{cy(clk)} \times 0.6$	ns

[1] Parameters are valid over operating temperature range unless otherwise specified.



### 11.3 Crystal oscillator

**Table 15. Dynamic characteristic: oscillator**

$T_{amb} = -40\text{ °C to }+85\text{ °C}$ ;  $V_{DD(I/O)}$  over specified ranges;  $2.2\text{ V} \leq V_{DD(REG)(3V3)} \leq 3.6\text{ V}$ .<sup>[1]</sup>

Symbol	Parameter	Conditions	Min	Typ <sup>[2]</sup>	Max	Unit	
<b>Low-frequency mode (1 MHz to 20 MHz)<sup>[5]</sup></b>							
$t_{jit(per)}$	period jitter time	5 MHz crystal	[3][4]	-	13.2	-	ps
		10 MHz crystal		-	6.6	-	ps
		15 MHz crystal		-	4.8	-	ps
<b>High-frequency mode (20 MHz to 25 MHz)<sup>[6]</sup></b>							
$t_{jit(per)}$	period jitter time	20 MHz crystal	[3][4]	-	4.3	-	ps
		25 MHz crystal		-	3.7	-	ps

- [1] Parameters are valid over operating temperature range unless otherwise specified.
- [2] Typical ratings are not guaranteed. The values listed are at room temperature (25 °C), nominal supply voltages.
- [3] Indicates RMS period jitter.
- [4] PLL-induced jitter is not included.
- [5] Select HF = 0 in the XTAL\_OSC\_CTRL register.
- [6] Select HF = 1 in the XTAL\_OSC\_CTRL register.

### 11.4 IRC oscillator

**Table 16. Dynamic characteristic: IRC oscillator**

$T_{amb} = -40\text{ °C to }+85\text{ °C}$ ;  $2.2\text{ V} \leq V_{DD(REG)(3V3)} \leq 3.6\text{ V}$ .<sup>[1]</sup>

Symbol	Parameter	Conditions	Min	Typ <sup>[2]</sup>	Max	Unit
$f_{osc(RC)}$	internal RC oscillator frequency	-	11.82	12.0	12.18	MHz

- [1] Parameters are valid over operating temperature range unless otherwise specified.
- [2] Typical ratings are not guaranteed. The values listed are at room temperature (25 °C), nominal supply voltages.

### 11.5 RTC oscillator

**Table 17. Dynamic characteristic: RTC oscillator**

$T_{amb} = -40\text{ °C to }+85\text{ °C}$ ;  $2.2\text{ V} \leq V_{DD(REG)(3V3)} \leq 3.6\text{ V}$  or  $2.2\text{ V} \leq V_{BAT} \leq 3.6\text{ V}$ <sup>[1]</sup>; typical  $C_{RTCX1/2} = 20\text{ pF}$ ; also see [Section 13.3](#)

Symbol	Parameter	Conditions	Min	Typ <sup>[2]</sup>	Max	Unit
$f_{i(RTC)}$	RTC input frequency	-	-	32.768	-	kHz
$I_{DD(RTC)}$	RTC supply current			280	800	nA

- [1] Parameters are valid over operating temperature range unless otherwise specified.
- [2] Typical ratings are not guaranteed. The values listed are at room temperature (25 °C), nominal supply voltages.

## 11.6 GPCLKIN

**Table 18. Dynamic characteristic: GPCLKIN**

$T_{amb} = 25\text{ }^{\circ}\text{C}$ ;  $2.4\text{ V} \leq V_{DD(REG)(3V3)} \leq 3.6\text{ V}$

Symbol	Parameter	Min	Typ	Max	Unit
GP_CLKIN	input frequency	-	-	25	MHz

## 11.7 I/O pins

For I/O pins that are configured as input only, there is no limitation on the rise and fall times.

**Table 19. Dynamic characteristic: I/O pins<sup>[1]</sup>**

$T_{amb} = -40\text{ }^{\circ}\text{C}$  to  $+85\text{ }^{\circ}\text{C}$ ;  $2.7\text{ V} \leq V_{DD(I/O)} \leq 3.6\text{ V}$ .

Symbol	Parameter	Conditions		Min	Typ	Max	Unit
<b>Standard I/O pins - normal drive strength</b>							
$t_r$	rise time	pin configured as output; EHS = 1	[2][3]	1.0	-	2.5	ns
$t_f$	fall time	pin configured as output; EHS = 1	[2][3]	0.9	-	2.5	ns
$t_r$	rise time	pin configured as output; EHS = 0	[2][3]	1.9	-	4.3	ns
$t_f$	fall time	pin configured as output; EHS = 0	[2][3]	1.9	-	4.0	ns
<b>I/O pins - high drive strength</b>							
$t_r$	rise time	pin configured as output; standard drive mode (EHD = 0x0)	[2][5]	4.3	-	7.9	ns
$t_f$	fall time	pin configured as output; standard drive mode (EHD = 0x0)	[2][5]	4.7	-	8.7	ns
$t_r$	rise time	pin configured as output; medium drive mode (EHD = 0x1)	[2][5]	3.2	-	5.7	ns
$t_f$	fall time	pin configured as output; medium drive mode (EHD = 0x1)	[2][5]	3.2	-	5.5	ns
$t_r$	rise time	pin configured as output; high drive mode (EHD = 0x2)	[2][5]	2.9	-	4.9	ns
$t_f$	fall time	pin configured as output; high drive mode (EHD = 0x2)	[2][5]	2.5	-	3.9	ns
$t_r$	rise time	pin configured as output; ultra-high drive mode (EHD = 0x3)	[2][5]	2.8	-	4.7	ns
$t_f$	fall time	pin configured as output; ultra-high drive mode (EHD = 0x3)	[2][5]	2.4	-	3.4	ns
<b>I/O pins - high-speed</b>							
$t_r$	rise time	pin configured as output; EHS = 1	[2][3]	350	-	670	ps
$t_f$	fall time	pin configured as output; EHS = 1	[2][3]	450	-	730	ps
$t_r$	rise time	pin configured as output; EHS = 0	[2][3]	1.0	-	1.9	ns
$t_f$	fall time	pin configured as output; EHS = 0	[2][3]	1.0	-	2.0	ns

[1] Simulated data.

[2] Simulated using 10 cm of 50  $\Omega$  PCB trace with 5 pF receiver input. Rise and fall times measured between 80 % and 20 % of the full output signal level.

[3] The slew rate is configured in the system control block in the SFSP registers using the EHS bit. See the LPC18xx user manual.

[4]  $C_L = 20\text{ pF}$ . Rise and fall times measured between 90 % and 10 % of the full input signal level.

[5] The drive modes are configured in the system control block in the SFSP registers using the EHD bit. See the LPC18xx user manual.

### 11.8 I<sup>2</sup>C-bus

**Table 20. Dynamic characteristic: I<sup>2</sup>C-bus pins**

$T_{amb} = -40\text{ °C to }+85\text{ °C}; 2.2\text{ V} \leq V_{DD(REG)(3V3)} \leq 3.6\text{ V}$ .<sup>[1]</sup>

Symbol	Parameter		Conditions	Min	Max	Unit
f <sub>SCL</sub>	SCL clock frequency		Standard-mode	0	100	kHz
			Fast-mode	0	400	kHz
			Fast-mode Plus	0	1	MHz
t <sub>f</sub>	fall time	[3][4][5][6]	of both SDA and SCL signals Standard-mode	-	300	ns
			Fast-mode	20 + 0.1 × C <sub>b</sub>	300	ns
			Fast-mode Plus	-	120	ns
t <sub>LOW</sub>	LOW period of the SCL clock		Standard-mode	4.7	-	μs
			Fast-mode	1.3	-	μs
			Fast-mode Plus	0.5	-	μs
t <sub>HIGH</sub>	HIGH period of the SCL clock		Standard-mode	4.0	-	μs
			Fast-mode	0.6	-	μs
			Fast-mode Plus	0.26	-	μs
t <sub>HD;DAT</sub>	data hold time	[2][3][7]	Standard-mode	0	-	μs
			Fast-mode	0	-	μs
			Fast-mode Plus	0	-	μs
t <sub>SU;DAT</sub>	data set-up time	[8][9]	Standard-mode	250	-	ns
			Fast-mode	100	-	ns
			Fast-mode Plus	50	-	ns

- [1] Parameters are valid over operating temperature range unless otherwise specified. See the I<sup>2</sup>C-bus specification *UM10204* for details.
- [2] t<sub>HD;DAT</sub> is the data hold time that is measured from the falling edge of SCL; applies to data in transmission and the acknowledge.
- [3] A device must internally provide a hold time of at least 300 ns for the SDA signal (with respect to the V<sub>IH(min)</sub> of the SCL signal) to bridge the undefined region of the falling edge of SCL.
- [4] C<sub>b</sub> = total capacitance of one bus line in pF. If mixed with Hs-mode devices, faster fall times are allowed.
- [5] The maximum t<sub>f</sub> for the SDA and SCL bus lines is specified at 300 ns. The maximum fall time for the SDA output stage t<sub>f</sub> is specified at 250 ns. This allows series protection resistors to be connected in between the SDA and the SCL pins and the SDA/SCL bus lines without exceeding the maximum specified t<sub>f</sub>.
- [6] In Fast-mode Plus, fall time is specified the same for both output stage and bus timing. If series resistors are used, designers should allow for this when considering bus timing.
- [7] The maximum t<sub>HD;DAT</sub> could be 3.45 μs and 0.9 μs for Standard-mode and Fast-mode but must be less than the maximum of t<sub>VD;DAT</sub> or t<sub>VD;ACK</sub> by a transition time. This maximum must only be met if the device does not stretch the LOW period (t<sub>LOW</sub>) of the SCL signal. If the clock stretches the SCL, the data must be valid by the set-up time before it releases the clock.
- [8] t<sub>SU;DAT</sub> is the data set-up time that is measured with respect to the rising edge of SCL; applies to data in transmission and the acknowledge.
- [9] A Fast-mode I<sup>2</sup>C-bus device can be used in a Standard-mode I<sup>2</sup>C-bus system but the requirement t<sub>SU;DAT</sub> = 250 ns must then be met. This will automatically be the case if the device does not stretch the LOW period of the SCL signal. If such a device does stretch the LOW period of the SCL signal, it must output the next data bit to the SDA line t<sub>r(max)</sub> + t<sub>SU;DAT</sub> = 1000 + 250 = 1250 ns (according to the Standard-mode I<sup>2</sup>C-bus specification) before the SCL line is released. Also the acknowledge timing must meet this set-up time.

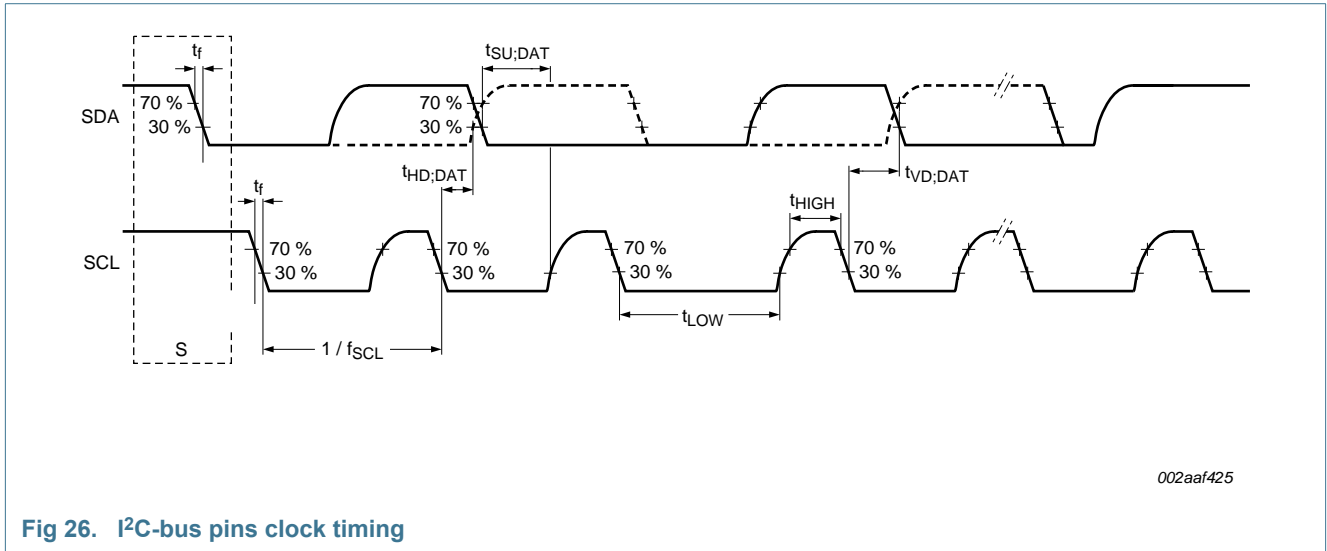


Fig 26. I<sup>2</sup>C-bus pins clock timing

### 11.9 I<sup>2</sup>S-bus interface

Table 21. Dynamic characteristics: I<sup>2</sup>S-bus interface pins

$T_{amb} = 25\text{ }^\circ\text{C}$ ;  $2.2\text{ V} \leq V_{DD(REG)(3V3)} \leq 3.6\text{ V}$ ;  $2.7\text{ V} \leq V_{DD(IO)} \leq 3.6\text{ V}$ ;  $C_L = 20\text{ pF}$ . Conditions and data refer to I2S0 and I2S1 pins. Simulated values.

Symbol	Parameter	Conditions	Min	Typ	Max	Unit
<b>common to input and output</b>						
$t_r$	rise time		-	4	-	ns
$t_f$	fall time		-	4	-	ns
$t_{WH}$	pulse width HIGH	on pins I2Sx_TX_SCK and I2Sx_RX_SCK	36	-	-	ns
$t_{WL}$	pulse width LOW	on pins I2Sx_TX_SCK and I2Sx_RX_SCK	36	-	-	ns
<b>output</b>						
$t_{V(Q)}$	data output valid time	on pin I2Sx_TX_SDA [1]	-	4.4	-	ns
		on pin I2Sx_TX_WS	-	4.3	-	ns
<b>input</b>						
$t_{su(D)}$	data input set-up time	on pin I2Sx_RX_SDA [1]	-	0	-	ns
		on pin I2Sx_RX_WS		0.20		ns
$t_{h(D)}$	data input hold time	on pin I2Sx_RX_SDA [1]	-	3.7	-	ns
		on pin I2Sx_RX_WS	-	3.9	-	ns

[1] Clock to the I<sup>2</sup>S-bus interface BASE\_APB1\_CLK = 150 MHz; peripheral clock to the I<sup>2</sup>S-bus interface PCLK = BASE\_APB1\_CLK / 12. I<sup>2</sup>S clock cycle time  $T_{cy(clock)} = 79.2\text{ ns}$ ; corresponds to the SCK signal in the I<sup>2</sup>S-bus specification.

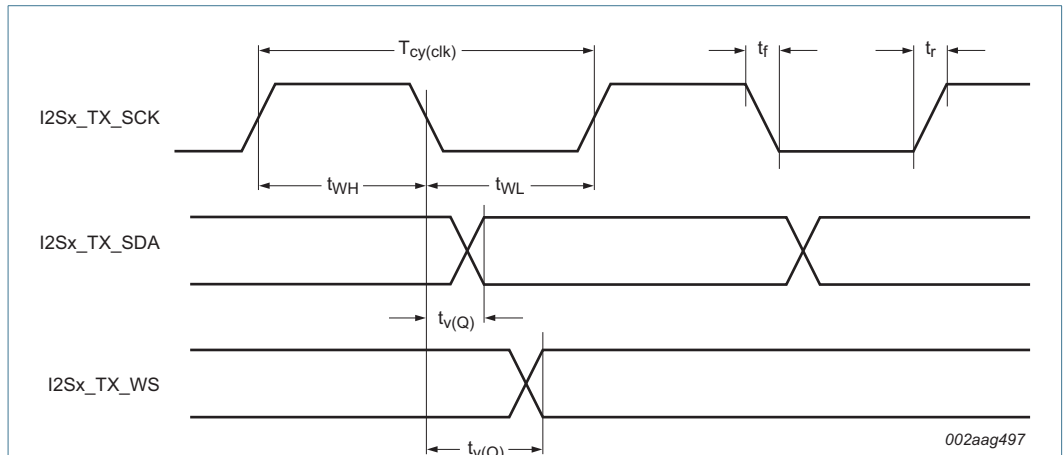


Fig 27. I<sup>2</sup>S-bus timing (transmit)

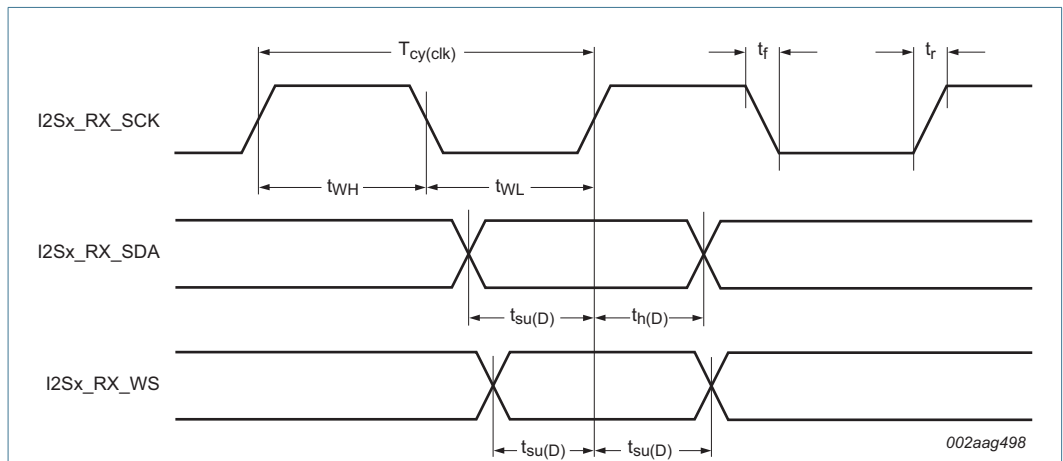


Fig 28. I<sup>2</sup>S-bus timing (receive)

### 11.10 USART interface

Table 22. USART dynamic characteristics

$T_{amb} = -40\text{ }^{\circ}\text{C}$  to  $85\text{ }^{\circ}\text{C}$ ;  $2.2\text{ V} \leq V_{DD(REG)}(3V3) \leq 3.6\text{ V}$ ;  $2.7\text{ V} \leq V_{DD(IO)} \leq 3.6\text{ V}$ ;  $C_L = 20\text{ pF}$ .  $EHS = 1$  for all pins. Simulated values.

Symbol	Parameter	Min	Max	Unit
<b>USART master (in synchronous mode)</b>				
$t_{su(D)}$	data input set-up time	26.6	-	ns
$t_{h(D)}$	data input hold time	0	-	ns
$t_{v(Q)}$	data output valid time	0	8.8	ns
<b>USART slave (in synchronous mode)</b>				
$t_{su(D)}$	data input set-up time	1.2	-	ns
$t_{h(D)}$	data input hold time	0.4	-	ns
$t_{v(Q)}$	data output valid time	5.5	24	ns

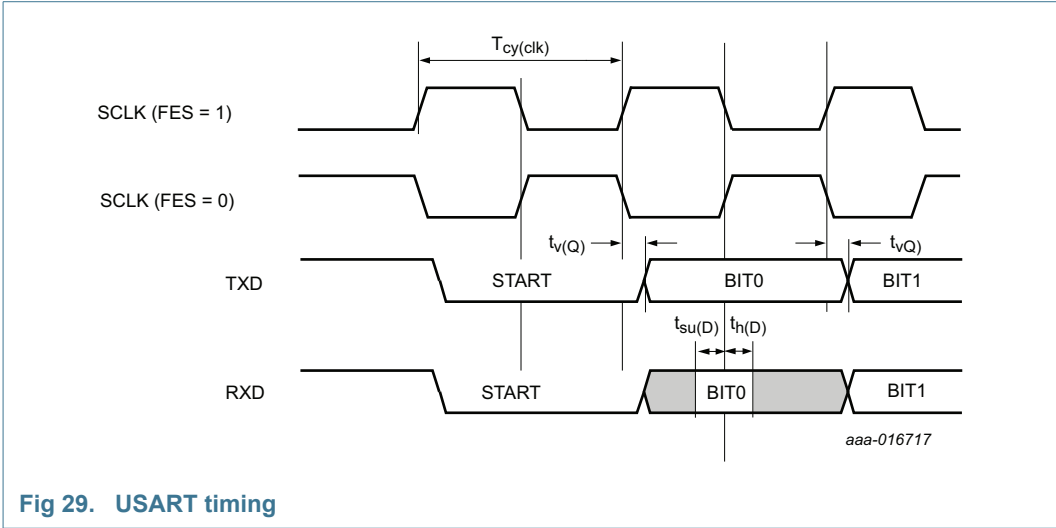


Fig 29. USART timing

## 11.11 SSP interface

**Table 23. Dynamic characteristics: SSP pins in SPI mode**

$T_{amb} = -40\text{ }^{\circ}\text{C}$  to  $+85\text{ }^{\circ}\text{C}$ ;  $2.2\text{ V} \leq V_{DD(REG)(3V3)} \leq 3.6\text{ V}$ ;  $2.7\text{ V} \leq V_{DD(IO)} \leq 3.6\text{ V}$ ;  $C_L = 20\text{ pF}$ . Sampled at 10 % and 90 % of the signal level;  $EHS = 1$  for all pins. Simulated values.

Symbol	Parameter	Conditions	Min	Typ	Max	Unit
<b>SSP master</b>						
$T_{cy(\text{clk})}$	clock cycle time	full-duplex mode	[1] $1/(25.5 \times 10^6)$	-	-	s
		when only transmitting	$1/(51 \times 10^6)$	-	-	s
$t_{DS}$	data set-up time	in SPI mode	13.6	-	-	ns
$t_{DH}$	data hold time	in SPI mode	-3.8	-	-	ns
$t_{v(Q)}$	data output valid time	in SPI mode	-	-	6.0	ns
$t_{h(Q)}$	data output hold time	in SPI mode	-1.1	-	-	ns
$t_{lead}$	lead time	continuous transfer mode SPI mode; CPOL = 0; CPHA = 0	$T_{cy(\text{clk})} + 3.2$	-	$T_{cy(\text{clk})} + 6.1$	ns
		SPI mode; CPOL = 0; CPHA = 1	$0.5 \times T_{cy(\text{clk})} + 3.2$	-	$0.5 \times T_{cy(\text{clk})} + 6.1$	ns
		SPI mode; CPOL = 1; CPHA = 0	$T_{cy(\text{clk})} + 3.2$	-	$T_{cy(\text{clk})} + 6.1$	ns
		SPI mode; CPOL = 1; CPHA = 1	$0.5 \times T_{cy(\text{clk})} + 3.2$	-	$0.5 \times T_{cy(\text{clk})} + 6.1$	ns
		synchronous serial frame mode	$0.5 \times T_{cy(\text{clk})} + 3.2$	-	$0.5 \times T_{cy(\text{clk})} + 6.1$	ns
		microwire frame format	$T_{cy(\text{clk})} + 3.2$	-	$T_{cy(\text{clk})} + 6.1$	ns
$t_{lag}$	lag time	continuous transfer mode SPI mode; CPOL = 0; CPHA = 0	$0.5 \times T_{cy(\text{clk})}$	-	-	ns
		SPI mode; CPOL = 0; CPHA = 1	$T_{cy(\text{clk})}$	-	-	ns
		SPI mode; CPOL = 1; CPHA = 0	$0.5 \times T_{cy(\text{clk})}$	-	-	ns
		SPI mode; CPOL = 1; CPHA = 1	$T_{cy(\text{clk})}$	-	-	ns
		synchronous serial frame mode	$T_{cy(\text{clk})}$	-	-	ns
		microwire frame format	$0.5 \times T_{cy(\text{clk})}$	-	-	ns

**Table 23. Dynamic characteristics: SSP pins in SPI mode**

$T_{amb} = -40\text{ }^{\circ}\text{C}$  to  $+85\text{ }^{\circ}\text{C}$ ;  $2.2\text{ V} \leq V_{DD(REG)(3V3)} \leq 3.6\text{ V}$ ;  $2.7\text{ V} \leq V_{DD(IO)} \leq 3.6\text{ V}$ ;  $C_L = 20\text{ pF}$ . Sampled at 10 % and 90 % of the signal level; EHS = 1 for all pins. Simulated values.

Symbol	Parameter	Conditions	Min	Typ	Max	Unit
$t_d$	delay time	continuous transfer mode SPI mode; CPOL = 0; CPHA = 0	-	$0.5 \times T_{cy(clk)}$	-	ns
		SPI mode; CPOL = 0; CPHA = 1	-	n/a	-	ns
		SPI mode; CPOL = 1; CPHA = 0	-	$0.5 \times T_{cy(clk)}$	-	ns
		SPI mode; CPOL = 1; CPHA = 1	-	n/a	-	ns
		synchronous serial frame mode	-	$T_{cy(clk)}$	-	ns
		microwire frame format	-	n/a	-	ns
<b>SSP slave</b>						
PCLK	Peripheral clock frequency		-	-	180	MHz
$T_{cy(clk)}$	clock cycle time		<a href="#">[2]</a> $1/(11 \times 10^6)$	-	-	s
$t_{DS}$	data set-up time	in SPI mode	1.15	-	-	ns
$t_{DH}$	data hold time	in SPI mode	0.5	-	-	ns
$t_{v(Q)}$	data output valid time	in SPI mode	-	-	$[4 \times (1/PCLK)] + 3$	ns
$t_{h(Q)}$	data output hold time	in SPI mode	5.1	-	-	ns
$t_{lead}$	lead time	continuous transfer mode SPI mode; CPOL = 0; CPHA = 0	$T_{cy(clk)} + 2.2$	-	-	ns
		SPI mode; CPOL = 0; CPHA = 1	$0.5 \times T_{cy(clk)} + 2.2$	-	-	ns
		SPI mode; CPOL = 1; CPHA = 0	$T_{cy(clk)} + 2.2$	-	-	ns
		SPI mode; CPOL = 1; CPHA = 1	$0.5 \times T_{cy(clk)} + 2.2$	-	-	ns
		synchronous serial frame mode	$0.5 \times T_{cy(clk)} + 2.2$	-	-	ns
		microwire frame format	$T_{cy(clk)} + 2.2$	-	-	ns

**Table 23. Dynamic characteristics: SSP pins in SPI mode**

$T_{amb} = -40\text{ °C to }+85\text{ °C}$ ;  $2.2\text{ V} \leq V_{DD(REG)(3V3)} \leq 3.6\text{ V}$ ;  $2.7\text{ V} \leq V_{DD(IO)} \leq 3.6\text{ V}$ ;  $C_L = 20\text{ pF}$ . Sampled at 10 % and 90 % of the signal level; EHS = 1 for all pins. Simulated values.

Symbol	Parameter	Conditions	Min	Typ	Max	Unit
$t_{lag}$	lag time	continuous transfer mode SPI mode; CPOL = 0; CPHA = 0	$0.5T_{cy(clk)} + 0.2$	-	-	ns
		SPI mode; CPOL = 0; CPHA = 1	$T_{cy(clk)} + 0.2$	-	-	ns
		SPI mode; CPOL = 1; CPHA = 0	$0.5 \times T_{cy(clk)} + 0.2$	-	-	ns
		SPI mode; CPOL = 1; CPHA = 1	$T_{cy(clk)} + 0.2$	-	-	ns
		synchronous serial frame mode	$T_{cy(clk)} + 0.2$	-	-	ns
		microwire frame format	$0.5 \times T_{cy(clk)}$	-	-	ns
$t_d$	delay time	continuous transfer mode SPI mode; CPOL = 0; CPHA = 0	-	$0.5 \times T_{cy(clk)}$	-	ns
		SPI mode; CPOL = 0; CPHA = 1	-	n/a	-	ns
		SPI mode; CPOL = 1; CPHA = 0	-	$0.5 \times T_{cy(clk)}$	-	ns
		SPI mode; CPOL = 1; CPHA = 1	-	n/a	-	ns
		synchronous serial frame mode	-	$T_{cy(clk)}$	-	ns
		microwire frame format	-	n/a	-	ns

[1]  $T_{cy(clk)} = (SSPCLKDIV \times (1 + SCR) \times CPSDVSR) / f_{main}$ . The clock cycle time derived from the SPI bit rate  $T_{cy(clk)}$  is a function of the main clock frequency  $f_{main}$ , the SSP peripheral clock divider (SSPCLKDIV), the SSP SCR parameter (specified in the SSP0CR0 register), and the SSP CPSDVSR parameter (specified in the SSP clock prescale register).

[2]  $T_{cy(clk)} \geq 12 \times T_{cy(PCLK)}$ .

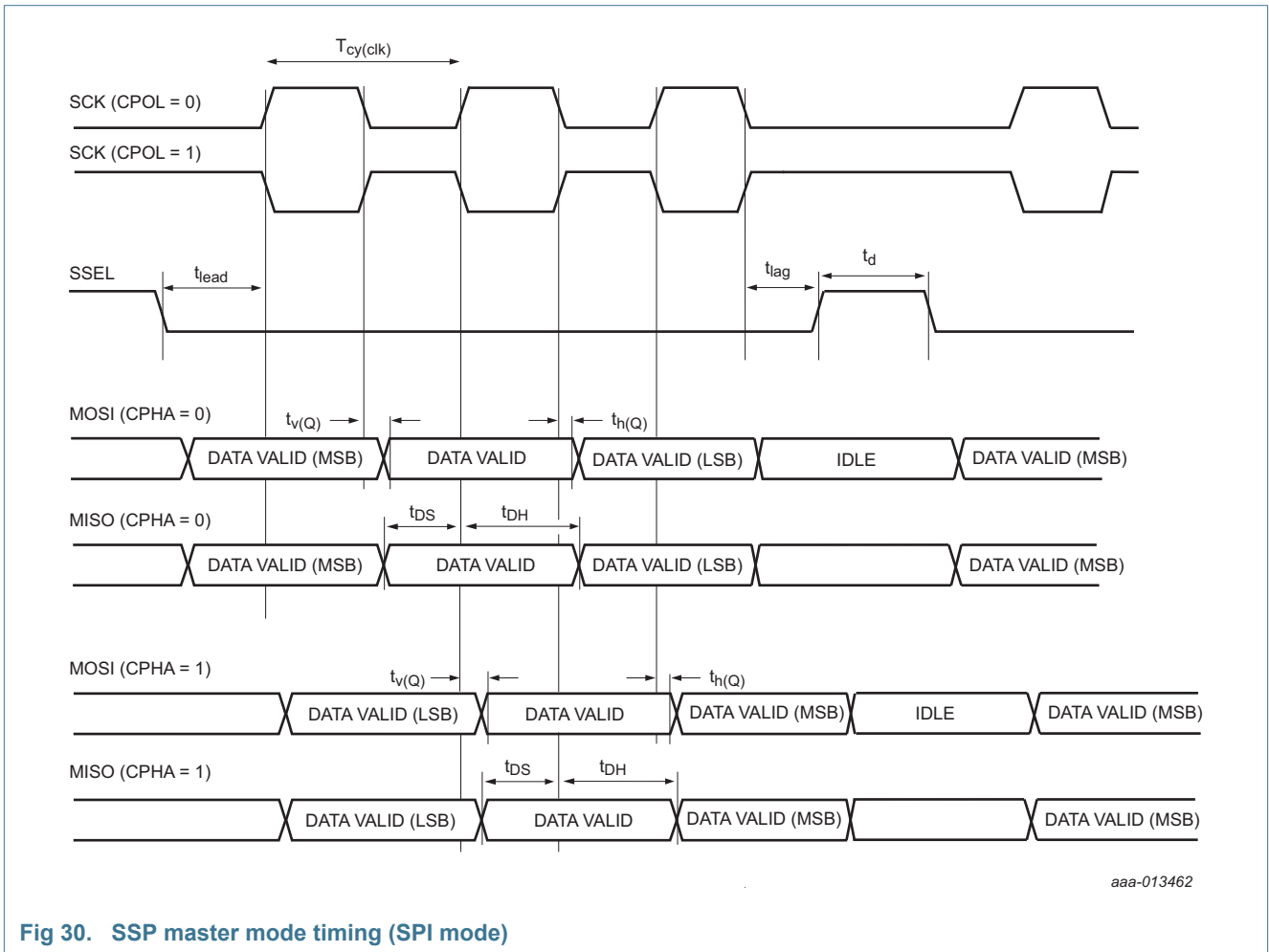


Fig 30. SSP master mode timing (SPI mode)

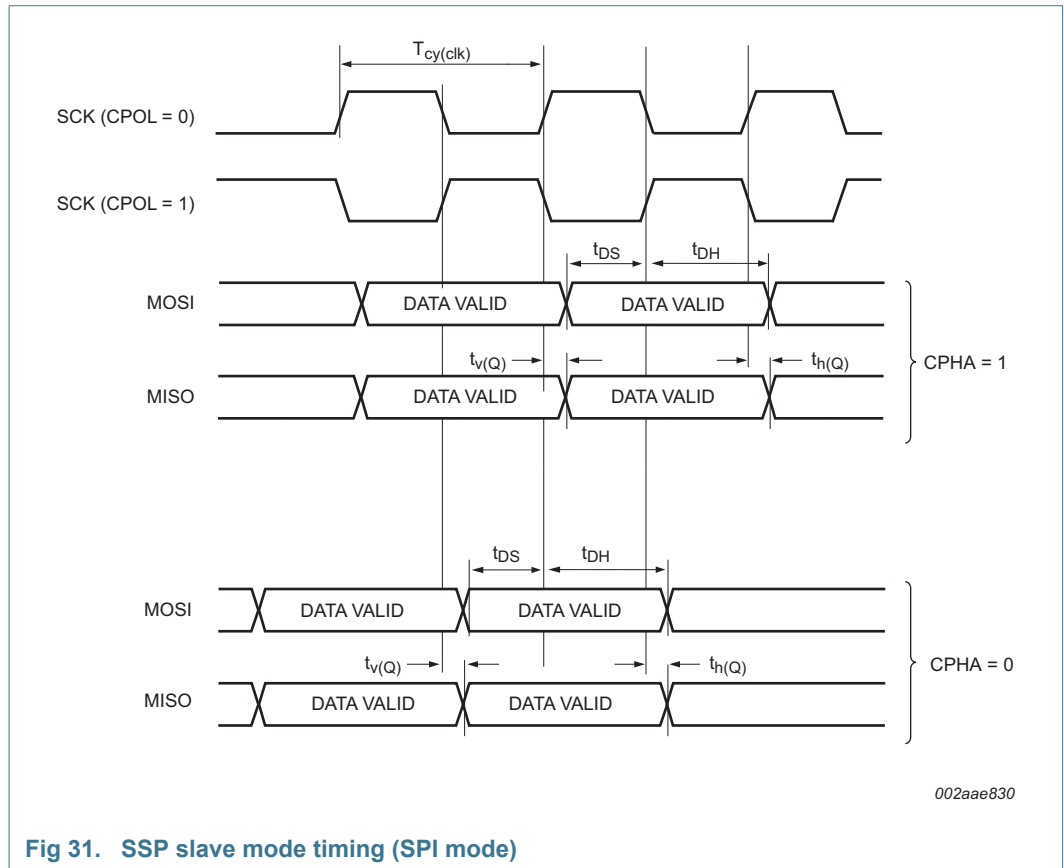


Fig 31. SSP slave mode timing (SPI mode)

## 11.12 External memory interface

**Table 24. Dynamic characteristics: Static asynchronous external memory interface**

$C_L = 22 \text{ pF}$  for EMC\_Dn  $C_L = 20 \text{ pF}$  for all others;  $T_{amb} = -40^\circ\text{C}$  to  $85^\circ\text{C}$ ;  $2.2 \text{ V} \leq V_{DD(REG)(3V3)} \leq 3.6 \text{ V}$ ;  $2.7 \text{ V} \leq V_{DD(I/O)} \leq 3.6 \text{ V}$ ; values guaranteed by design. Timing parameters are given for single memory access cycles. In a normal read operation, the EMC changes the address while CS is asserted resulting in multiple memory accesses.

Symbol	Parameter <sup>[1]</sup>	Conditions	Min	Typ	Max	Unit
<b>Read cycle parameters</b>						
$t_{CSLAV}$	$\overline{CS}$ LOW to address valid time		-3.1	-	1.6	ns
$t_{CSLOEL}$	$\overline{CS}$ LOW to $\overline{OE}$ LOW time		<sup>[2]</sup> $-0.6 + T_{cy(clk)} \times \text{WAITOEN}$	-	$1.3 + T_{cy(clk)} \times \text{WAITOEN}$	ns
$t_{CSLBLSL}$	$\overline{CS}$ LOW to $\overline{BLS}$ LOW time	PB = 1	-0.7	-	1.8	ns
$t_{OELOEH}$	$\overline{OE}$ LOW to $\overline{OE}$ HIGH time		<sup>[2]</sup> $-0.6 + (\text{WAITRD} - \text{WAITOEN} + 1) \times T_{cy(clk)}$	-	$-0.4 + (\text{WAITRD} - \text{WAITOEN} + 1) \times T_{cy(clk)}$	ns
$t_{am}$	memory access time		-	-	$-16 + (\text{WAITRD} - \text{WAITOEN} + 1) \times T_{cy(clk)}$	ns
$t_{h(D)}$	data input hold time		-16	-	-	ns
$t_{CSHBLSH}$	$\overline{CS}$ HIGH to $\overline{BLS}$ HIGH time	PB = 1	-0.4	-	1.9	ns
$t_{CSHOEH}$	CS HIGH to $\overline{OE}$ HIGH time		-0.4	-	1.4	ns
$t_{OEHANV}$	$\overline{OE}$ HIGH to address invalid	PB = 1	-2.0	-	2.6	ns
$t_{CSHEOR}$	$\overline{CS}$ HIGH to end of read time		<sup>[3]</sup> -2.0	-	0	ns
$t_{CSLSOR}$	$\overline{CS}$ LOW to start of read time		<sup>[4]</sup> 0	-	1.8	ns
<b>Write cycle parameters</b>						
$t_{CSLAV}$	$\overline{CS}$ LOW to address valid time		-3.1	-	1.6	ns
$t_{CSLDV}$	$\overline{CS}$ LOW to data valid time		-3.1	-	1.5	ns
$t_{CSLWEL}$	$\overline{CS}$ LOW to $\overline{WE}$ LOW time	PB = 1	-1.5	-	0.2	ns
$t_{CSLBLSL}$	$\overline{CS}$ LOW to $\overline{BLS}$ LOW time	PB = 1	-0.7	-	1.8	ns
$t_{WELWEH}$	$\overline{WE}$ LOW to $\overline{WE}$ HIGH time	PB = 1	<sup>[2]</sup> $-0.6 + (\text{WAITWR} - \text{WAITWEN} + 1) \times T_{cy(clk)}$	-	$-0.4 + (\text{WAITWR} - \text{WAITWEN} + 1) \times T_{cy(clk)}$	ns
$t_{WEHDNV}$	$\overline{WE}$ HIGH to data invalid time	PB = 1	<sup>[2]</sup> $-0.9 + T_{cy(clk)}$	-	$2.3 + T_{cy(clk)}$	ns
$t_{WEHEOW}$	$\overline{WE}$ HIGH to end of write time	PB = 1	<sup>[2]</sup> $-0.4 + T_{cy(clk)}$ <sup>[5]</sup>	-	$-0.3 + T_{cy(clk)}$	ns
$t_{CSLBLSL}$	$\overline{CS}$ LOW to $\overline{BLS}$ LOW	PB = 0	-0.7	-	1.8	ns
$t_{BLSLBLSH}$	$\overline{BLS}$ LOW to $\overline{BLS}$ HIGH time	PB = 0	<sup>[2]</sup> $-0.9 + (\text{WAITWR} - \text{WAITWEN} + 1) \times T_{cy(clk)}$	-	$-0.1 + (\text{WAITWR} - \text{WAITWEN} + 1) \times T_{cy(clk)}$	ns





**Table 25. Dynamic characteristics: Dynamic external memory interface**

Simulated data over temperature and process range;  $C_L = 10\text{ pF}$  for  $\overline{EMC\_DYCSn}$ ,  $\overline{EMC\_RAS}$ ,  $\overline{EMC\_CAS}$ ,  $\overline{EMC\_WE}$ ,  $\overline{EMC\_An}$ ;  $C_L = 9\text{ pF}$  for  $\overline{EMC\_Dn}$ ;  $C_L = 5\text{ pF}$  for  $\overline{EMC\_DQMOUTn}$ ,  $\overline{EMC\_CLKn}$ ,  $\overline{EMC\_CKEOUTn}$ ;  $T_{amb} = -40\text{ }^\circ\text{C}$  to  $85\text{ }^\circ\text{C}$ ;  $2.2\text{ V} \leq V_{DD(REG)(3V3)} \leq 3.6\text{ V}$ ;  $V_{DD(IO)} = 3.3\text{ V} \pm 10\%$ ;  $RD = 1$  (see *LPC18xx User manual*);  $\overline{EMC\_CLKn}$  delays  $CLK0\_DELAY = CLK1\_DELAY = CLK2\_DELAY = CLK3\_DELAY = 0$ .

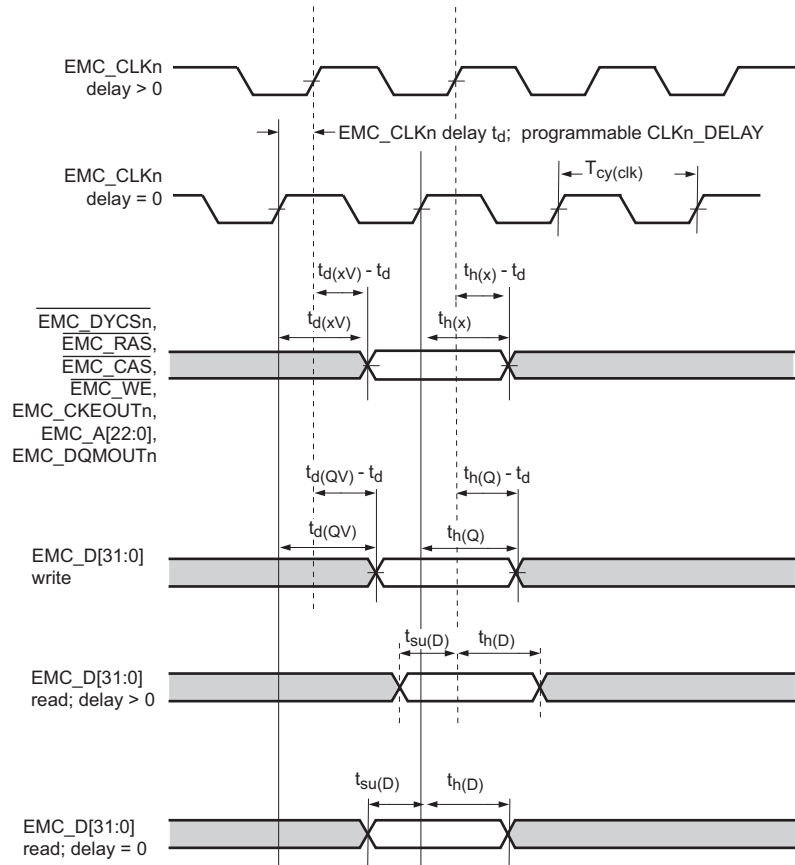
Symbol	Parameter	Min	Typ	Max	Unit
$T_{cy(clk)}$	clock cycle time	8.4	-	-	ns
<b>Common to read and write cycles</b>					
$t_{d(DYCSV)}$	DYCS delay time	-	$3.1 + 0.5 \times T_{cy(clk)}$	$5.1 + 0.5 \times T_{cy(clk)}$	ns
$t_{h(DYCS)}$	DYCS hold time	$0.3 + 0.5 \times T_{cy(clk)}$	$0.9 + 0.5 \times T_{cy(clk)}$	-	ns
$t_{d(RASV)}$	row address strobe valid delay time	-	$3.1 + 0.5 \times T_{cy(clk)}$	$4.9 + 0.5 \times T_{cy(clk)}$	ns
$t_{h(RAS)}$	row address strobe hold time	$0.5 + 0.5 \times T_{cy(clk)}$	$1.1 + 0.5 \times T_{cy(clk)}$	-	ns
$t_{d(CASV)}$	column address strobe valid delay time	-	$2.9 + 0.5 \times T_{cy(clk)}$	$4.6 + 0.5 \times T_{cy(clk)}$	ns
$t_{h(CAS)}$	column address strobe hold time	$0.3 + 0.5 \times T_{cy(clk)}$	$0.9 + 0.5 \times T_{cy(clk)}$	-	ns
$t_{d(WEV)}$	$\overline{WE}$ valid delay time	-	$3.2 + 0.5 \times T_{cy(clk)}$	$5.9 + 0.5 \times T_{cy(clk)}$	ns
$t_{h(WE)}$	$\overline{WE}$ hold time	$1.3 + 0.5 \times T_{cy(clk)}$	$1.4 + 0.5 \times T_{cy(clk)}$	-	ns
$t_{d(DQMOUTV)}$	DQMOUT valid delay time	-	$3.1 + 0.5 \times T_{cy(clk)}$	$5.0 + 0.5 \times T_{cy(clk)}$	ns
$t_{h(DQMOUT)}$	DQMOUT hold time	$0.2 + 0.5 \times T_{cy(clk)}$	$0.8 + 0.5 \times T_{cy(clk)}$	-	ns
$t_{d(AV)}$	address valid delay time	-	$3.8 + 0.5 \times T_{cy(clk)}$	$6.3 + 0.5 \times T_{cy(clk)}$	ns
$t_{h(A)}$	address hold time	$0.3 + 0.5 \times T_{cy(clk)}$	$0.9 + 0.5 \times T_{cy(clk)}$	-	ns
$t_{d(CKEOUTV)}$	CKEOUT valid delay time	-	$3.1 + 0.5 \times T_{cy(clk)}$	$5.1 + 0.5 \times T_{cy(clk)}$	ns
$t_{h(CKEOUT)}$	CKEOUT hold time	$0.5 \times T_{cy(clk)}$	$0.7 + 0.5 \times T_{cy(clk)}$	-	ns
<b>Read cycle parameters</b>					
$t_{su(D)}$	data input set-up time	-1.5	-0.5	-	ns
$t_{h(D)}$	data input hold time	2.2	0.8	-	ns
<b>Write cycle parameters</b>					
$t_{d(QV)}$	data output valid delay time	-	$3.8 + 0.5 \times T_{cy(clk)}$	$6.2 + 0.5 \times T_{cy(clk)}$	ns
$t_{h(Q)}$	data output hold time	$0.5 \times T_{cy(clk)}$	$0.7 + 0.5 \times T_{cy(clk)}$	-	ns

**Table 26. Dynamic characteristics: Dynamic external memory interface; EMC\_CLK[3:0] delay values**

$T_{amb} = -40\text{ }^\circ\text{C}$  to  $85\text{ }^\circ\text{C}$ ;  $V_{DD(IO)} = 3.3\text{ V} \pm 10\%$ ;  $2.2\text{ V} \leq V_{DD(REG)(3V3)} \leq 3.6\text{ V}$ .

Symbol	Parameter	Conditions	Min	Typ	Max	Unit
$t_d$	delay time	delay value [1]				
		$CLKn\_DELAY = 0$	0.0	0.0	0.0	ns
		$CLKn\_DELAY = 1$	0.4	0.5	0.8	ns
		$CLKn\_DELAY = 2$	0.7	1.0	1.7	ns
		$CLKn\_DELAY = 3$	1.1	1.6	2.5	ns
		$CLKn\_DELAY = 4$	1.4	2.0	3.3	ns
		$CLKn\_DELAY = 5$	1.7	2.6	4.1	ns
		$CLKn\_DELAY = 6$	2.1	3.1	4.9	ns
$CLKn\_DELAY = 7$	2.5	3.6	5.8	ns		

[1] Program the EMC\_CLKn delay values in the EMCDELAYCLK register (see the *LPC18xx User manual*). The delay values must be the same for all SDRAM clocks EMC\_CLKn:  $CLK0\_DELAY = CLK1\_DELAY = CLK2\_DELAY = CLK3\_DELAY$ .



002aag703

For the programmable EMC\_CLK[3:0] clock delays CLKn\_DELAY, see [Table 26](#).

**Remark:** For SDRAM operation, set CLK0\_DELAY = CLK1\_DELAY = CLK2\_DELAY = CLK3\_DELAY in the EMCDELAYCLK register.

Fig 34. SDRAM timing

11.13 USB interface

Table 27. Dynamic characteristics: USB0 and USB1 pins (full-speed)

$C_L = 50\text{ pF}$ ;  $R_{pu} = 1.5\text{ k}\Omega$  on D+ to  $V_{DD(I/O)}$ ;  $3.0\text{ V} \leq V_{DD(I/O)} \leq 3.6\text{ V}$ .

Symbol	Parameter	Conditions	Min	Typ	Max	Unit
$t_r$	rise time	10 % to 90 %	8.5	-	13.8	ns
$t_f$	fall time	10 % to 90 %	7.7	-	13.7	ns
$t_{FRFM}$	differential rise and fall time matching	$t_r / t_f$	-	-	109	%
$V_{CRS}$	output signal crossover voltage		1.3	-	2.0	V
$t_{FEOPT}$	source SE0 interval of EOP	see Figure 35	160	-	175	ns
$t_{FDEOP}$	source jitter for differential transition to SE0 transition	see Figure 35	-2	-	+5	ns
$t_{JR1}$	receiver jitter to next transition		-18.5	-	+18.5	ns
$t_{JR2}$	receiver jitter for paired transitions	10 % to 90 %	-9	-	+9	ns
$t_{EOPR1}$	EOP width at receiver	must reject as EOP; see Figure 35	[1] 40	-	-	ns
$t_{EOPR2}$	EOP width at receiver	must accept as EOP; see Figure 35	[1] 82	-	-	ns

[1] Characterized but not implemented as production test. Guaranteed by design.

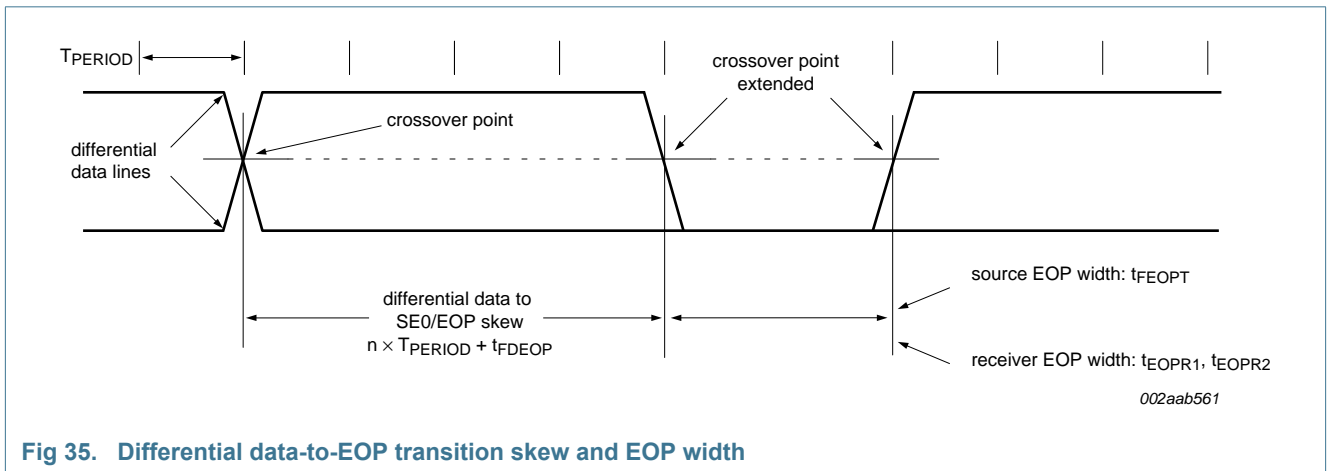


Fig 35. Differential data-to-EOP transition skew and EOP width

Table 28. Static characteristics: USB0 PHY pins<sup>[1]</sup>

Symbol	Parameter	Conditions	Min	Typ	Max	Unit
<b>High-speed mode</b>						
P <sub>cons</sub>	power consumption		[2]	-	68	- mW
I <sub>DDA(3V3)</sub>	analog supply current (3.3 V)	on pin USB0_VDDA3V3_DRIVER; total supply current	[3]	-	18	- mA
		during transmit		-	31	- mA
		during receive		-	14	- mA
		with driver tri-stated		-	14	- mA
I <sub>DDD</sub>	digital supply current		-	7	- mA	
<b>Full-speed/low-speed mode</b>						
P <sub>cons</sub>	power consumption		[2]	-	15	- mW
I <sub>DDA(3V3)</sub>	analog supply current (3.3 V)	on pin USB0_VDDA3V3_DRIVER; total supply current		-	3.5	- mA
		during transmit		-	5	- mA
		during receive		-	3	- mA
		with driver tri-stated		-	3	- mA
I <sub>DDD</sub>	digital supply current		-	3	- mA	
<b>Suspend mode</b>						
I <sub>DDA(3V3)</sub>	analog supply current (3.3 V)			-	24	- μA
		with driver tri-stated		-	24	- μA
		with OTG functionality enabled		-	3	- mA
I <sub>DDD</sub>	digital supply current		-	30	- μA	
<b>VBUS detector outputs</b>						
V <sub>th</sub>	threshold voltage	for VBUS valid		4.4	-	- V
		for session end		0.2	-	0.8 V
		for A valid		0.8	-	2 V
		for B valid		2	-	4 V
V <sub>hys</sub>	hysteresis voltage	for session end		-	150	10 mV
		A valid		-	200	10 mV
		B valid		-	200	10 mV

[1] Characterized but not implemented as production test.

[2] Total average power consumption.

[3] The driver is active only 20 % of the time.

### 11.14 Ethernet

**Remark:** The timing characteristics of the ENET\_MDC and ENET\_MDIO signals comply with the *IEEE standard 802.3*.

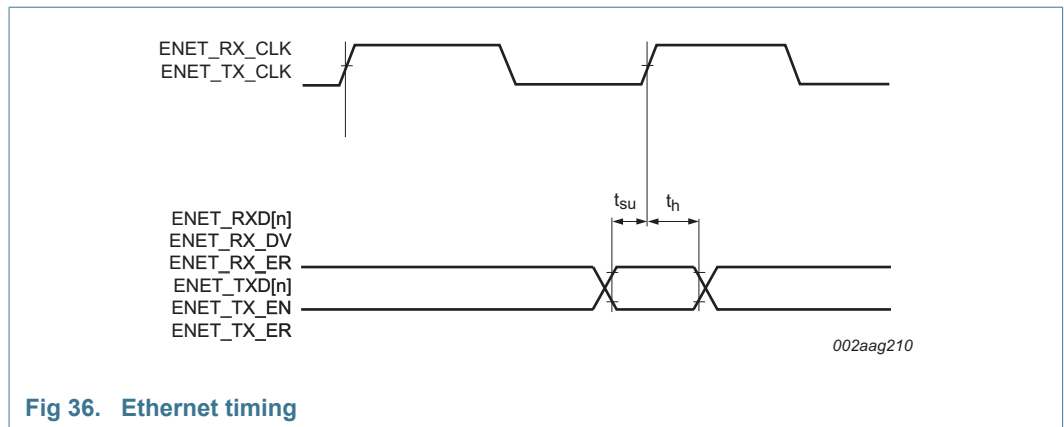
**Table 29. Dynamic characteristics: Ethernet**

$T_{amb} = -40\text{ }^{\circ}\text{C}$  to  $85\text{ }^{\circ}\text{C}$ ;  $2.2\text{ V} \leq V_{DD(REG)(3V3)} \leq 3.6\text{ V}$ ;  $2.7\text{ V} \leq V_{DD(I/O)} \leq 3.6\text{ V}$ . Values guaranteed by design.

Symbol	Parameter	Conditions		Min	Max	Unit
<b>RMII mode</b>						
$f_{clk}$	clock frequency	for ENET_RX_CLK	[1]	-	50	MHz
$\delta_{clk}$	clock duty cycle		[1]	50	50	%
$t_{su}$	set-up time	for ENET_TXDn, ENET_TX_EN, ENET_RXDn, ENET_RX_ER, ENET_RX_DV	[1][2]	4	-	ns
$t_h$	hold time	for ENET_TXDn, ENET_TX_EN, ENET_RXDn, ENET_RX_ER, ENET_RX_DV	[1][2]	2	-	ns
<b>MII mode</b>						
$f_{clk}$	clock frequency	for ENET_TX_CLK	[1]	-	25	MHz
$\delta_{clk}$	clock duty cycle		[1]	50	50	%
$t_{su}$	set-up time	for ENET_TXDn, ENET_TX_EN, ENET_TX_ER	[1][2]	4	-	ns
$t_h$	hold time	for ENET_TXDn, ENET_TX_EN, ENET_TX_ER	[1][2]	2	-	ns
$f_{clk}$	clock frequency	for ENET_RX_CLK	[1]	-	25	MHz
$\delta_{clk}$	clock duty cycle		[1]	50	50	%
$t_{su}$	set-up time	for ENET_RXDn, ENET_RX_ER, ENET_RX_DV	[1][2]	4	-	ns
$t_h$	hold time	for ENET_RXDn, ENET_RX_ER, ENET_RX_DV	[1][2]	2	-	ns

[1] Output drivers can drive a load  $\geq 25\text{ pF}$  accommodating over 12 inch of PCB trace and the input capacitance of the receiving device.

[2] Timing values are given from the point at which the clock signal waveform crosses 1.4 V to the valid input or output level.



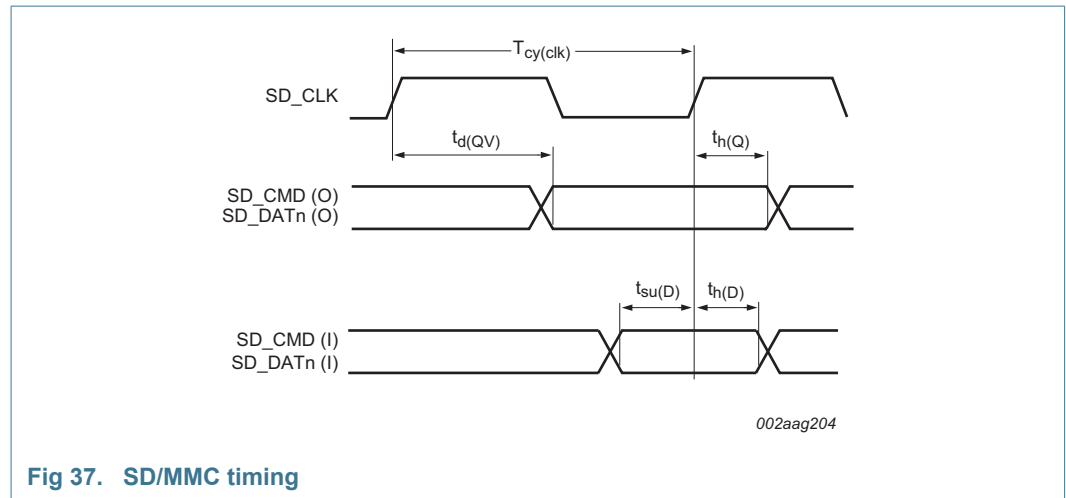
**Fig 36. Ethernet timing**

11.15 SD/MMC

**Table 30. Dynamic characteristics: SD/MMC**

$T_{amb} = -40\text{ }^{\circ}\text{C}$  to  $85\text{ }^{\circ}\text{C}$ ;  $2.2\text{ V} \leq V_{DD(REG)(3V3)} \leq 3.6\text{ V}$ ;  $2.7\text{ V} \leq V_{DD(IO)} \leq 3.6\text{ V}$ ;  $C_L = 20\text{ pF}$ .  
*SAMPLE\_DELAY = 0x9, DRV\_DELAY = 0xD in the SDDELAY register sampled at 90 % and 10 % of the signal level, EHS = 1 for SD\_CLK pin, EHS = 1 for SD\_DATn and SD\_CMD pins. Simulated values.*

Symbol	Parameter	Conditions	Min	Max	Unit
$f_{clk}$	clock frequency	on pin SD_CLK; data transfer mode		52	MHz
$t_{su(D)}$	data input set-up time	on pins SD_DATn as inputs	3.9	-	ns
		on pins SD_CMD as inputs	5.2	-	ns
$t_{h(D)}$	data input hold time	on pins SD_DATn as inputs	0.4	-	ns
		on pins SD_CMD as inputs	0		ns
$t_{d(QV)}$	data output valid delay time	on pins SD_DATn as outputs	-	15.3	ns
		on pins SD_CMD as outputs	-	16	ns
$t_{h(Q)}$	data output hold time	on pins SD_DATn as outputs	4	-	ns
		on pins SD_CMD as outputs	4	-	ns



**Fig 37. SD/MMC timing**

11.16 LCD

**Table 31. Dynamic characteristics: LCD**

$T_{amb} = -40\text{ }^{\circ}\text{C}$  to  $85\text{ }^{\circ}\text{C}$ ;  $2.2\text{ V} \leq V_{DD(REG)(3V3)} \leq 3.6\text{ V}$ ;  $2.7\text{ V} \leq V_{DD(IO)} \leq 3.6\text{ V}$ ;  $C_L = 20\text{ pF}$ . *Simulated values.*

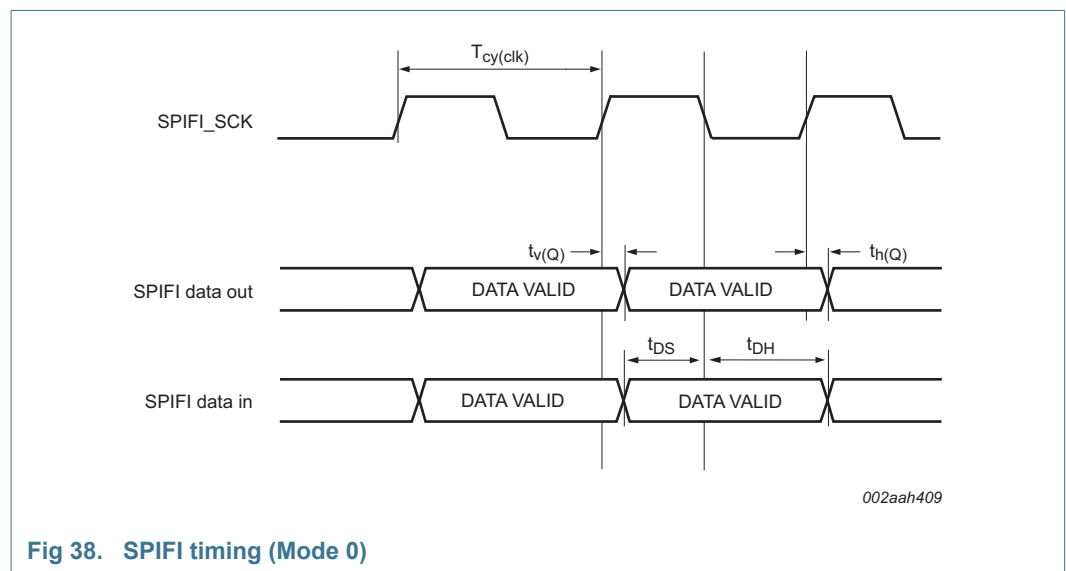
Symbol	Parameter	Conditions	Min	Typ	Max	Unit
$f_{clk}$	clock frequency	on pin LCD_DCLK	-	50	-	MHz
$t_{d(QV)}$	data output valid delay time			-	17	ns
$t_{h(Q)}$	data output hold time		8.5	-		ns

11.17 SPIFI

**Table 32. Dynamic characteristics: SPIFI**

$T_{amb} = -40\text{ }^{\circ}\text{C}$  to  $85\text{ }^{\circ}\text{C}$ ;  $2.2\text{ V} \leq V_{DD(REG)(3V3)} \leq 3.6\text{ V}$ ;  $2.7\text{ V} \leq V_{DD(I/O)} \leq 3.6\text{ V}$ .  $C_L = 20\text{ pF}$ . Sampled at 90 % and 10 % of the signal level.  $EHS = 1$  for all pins. Simulated values.

Symbol	Parameter	Min	Max	Unit
$T_{cy(clk)}$	clock cycle time	9.6	-	ns
$t_{DS}$	data set-up time	2.8	-	ns
$t_{DH}$	data hold time	0	-	ns
$t_{v(Q)}$	data output valid time	-	2.6	ns
$t_{h(Q)}$	data output hold time	0.8	-	ns



**Fig 38. SPIFI timing (Mode 0)**

## 12. ADC/DAC electrical characteristics

**Table 33. ADC characteristics**

$V_{DDA(3V3)}$  over specified ranges;  $T_{amb} = -40\text{ °C to }+85\text{ °C}$ ; unless otherwise specified.

Symbol	Parameter	Conditions	Min	Typ	Max	Unit	
$V_{IA}$	analog input voltage		0	-	$V_{DDA(3V3)}$	V	
$C_{ia}$	analog input capacitance		-	-	2	pF	
$E_D$	differential linearity error	$2.7\text{ V} \leq V_{DDA(3V3)} \leq 3.6\text{ V}$	[1][2]	-	$\pm 0.8$	-	LSB
		$2.2\text{ V} \leq V_{DDA(3V3)} < 2.7\text{ V}$		-	$\pm 1.0$	-	LSB
$E_{L(adj)}$	integral non-linearity	$2.7\text{ V} \leq V_{DDA(3V3)} \leq 3.6\text{ V}$	[3]	-	$\pm 0.8$	-	LSB
		$2.2\text{ V} \leq V_{DDA(3V3)} < 2.7\text{ V}$		-	$\pm 1.5$	-	LSB
$E_O$	offset error	$2.7\text{ V} \leq V_{DDA(3V3)} \leq 3.6\text{ V}$	[4]	-	$\pm 0.15$	-	LSB
		$2.2\text{ V} \leq V_{DDA(3V3)} < 2.7\text{ V}$		-	$\pm 0.15$	-	LSB
$E_G$	gain error	$2.7\text{ V} \leq V_{DDA(3V3)} \leq 3.6\text{ V}$	[5]	-	$\pm 0.3$	-	%
		$2.2\text{ V} \leq V_{DDA(3V3)} < 2.7\text{ V}$		-	$\pm 0.35$	-	%
$E_T$	absolute error	$2.7\text{ V} \leq V_{DDA(3V3)} \leq 3.6\text{ V}$	[6]	-	$\pm 3$	-	LSB
		$2.2\text{ V} \leq V_{DDA(3V3)} < 2.7\text{ V}$		-	$\pm 4$	-	LSB
$R_{vsi}$	voltage source interface resistance	see <a href="#">Figure 40</a>	-	-	$1/(7 \times f_{clk(ADC)} \times C_{ia})$	$k\Omega$	
$R_i$	input resistance		[7][8]	-	1.2	$M\Omega$	
$f_{clk(ADC)}$	ADC clock frequency		-	-	4.5	MHz	
$f_s$	sampling frequency	10-bit resolution; 11 clock cycles		-	-	400	kSamples/s
		2-bit resolution; 3 clock cycles				1.5	MSamples/s

[1] The ADC is monotonic, there are no missing codes.

[2] The differential linearity error ( $E_D$ ) is the difference between the actual step width and the ideal step width. See [Figure 39](#).

[3] The integral non-linearity ( $E_{L(adj)}$ ) is the peak difference between the center of the steps of the actual and the ideal transfer curve after appropriate adjustment of gain and offset errors. See [Figure 39](#).

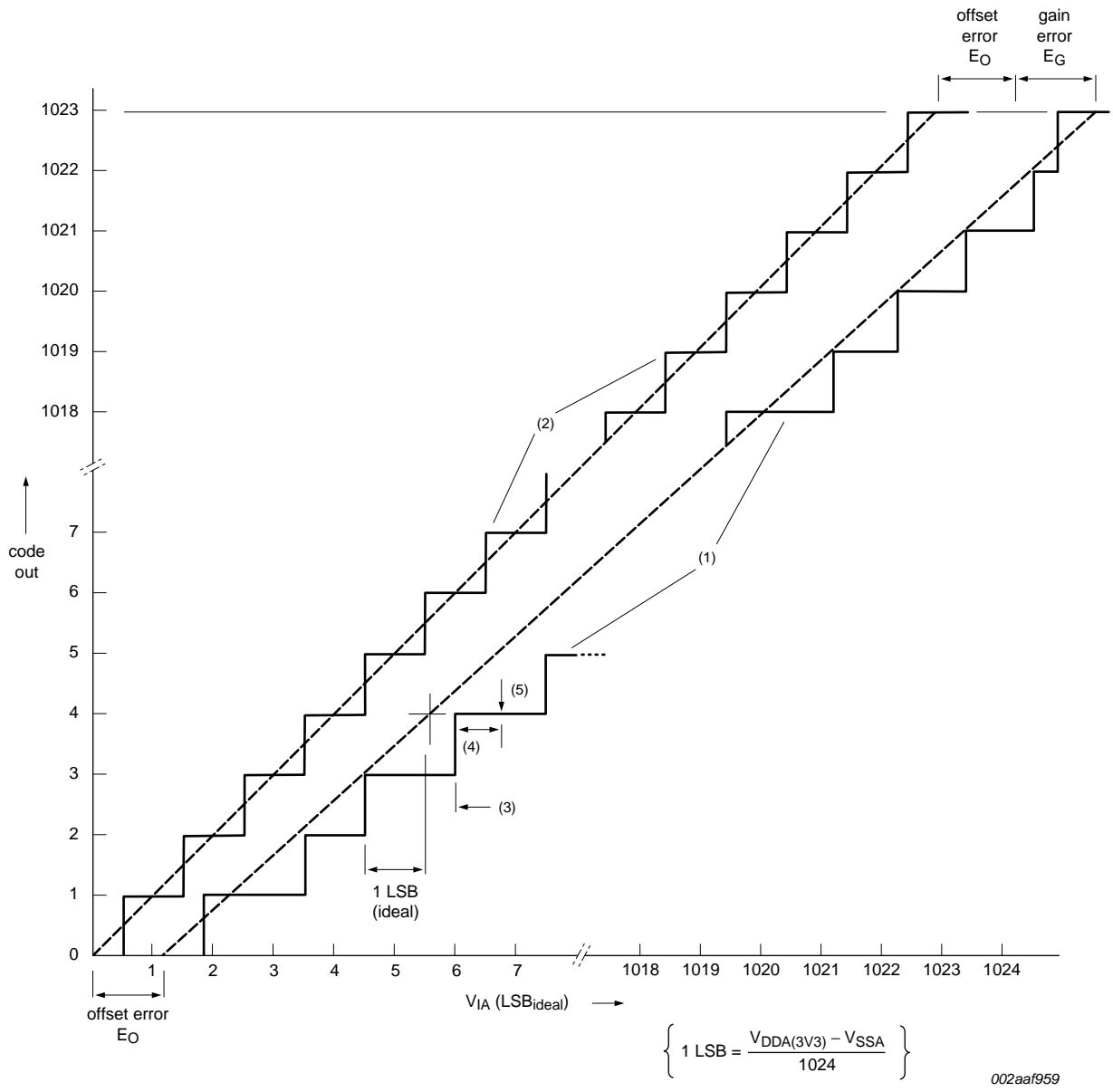
[4] The offset error ( $E_O$ ) is the absolute difference between the straight line which fits the actual curve and the straight line which fits the ideal curve. See [Figure 39](#).

[5] The gain error ( $E_G$ ) is the relative difference in percent between the straight line fitting the actual transfer curve after removing offset error, and the straight line which fits the ideal transfer curve. See [Figure 39](#).

[6] The absolute error ( $E_T$ ) is the maximum difference between the center of the steps of the actual transfer curve of the non-calibrated ADC and the ideal transfer curve. See [Figure 39](#).

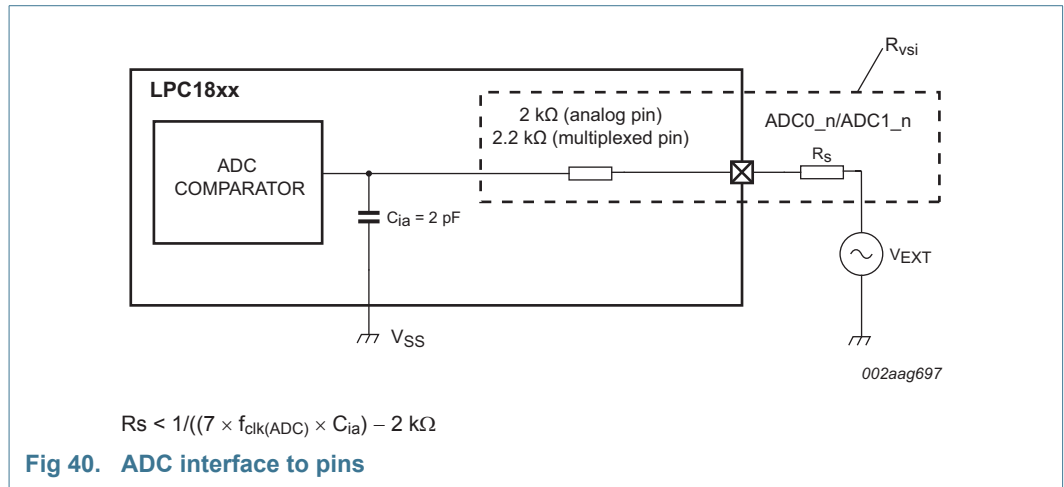
[7]  $T_{amb} = 25\text{ °C}$ .

[8] Input resistance  $R_i$  depends on the sampling frequency  $f_s$ :  $R_i = 2\text{ k}\Omega + 1 / (f_s \times C_{ia})$ .



- (1) Example of an actual transfer curve.
- (2) The ideal transfer curve.
- (3) Differential linearity error ( $E_D$ ).
- (4) Integral non-linearity ( $E_{L(adj)}$ ).
- (5) Center of a step of the actual transfer curve.

**Fig 39. 10-bit ADC characteristics**



**Table 34. DAC characteristics**

$V_{DDA(3V3)}$  over specified ranges;  $T_{amb} = -40\text{ }^\circ\text{C}$  to  $+85\text{ }^\circ\text{C}$ ; unless otherwise specified

Symbol	Parameter	Conditions		Min	Typ	Max	Unit
$E_D$	differential linearity error	$2.7 \text{ V} \leq V_{DDA(3V3)} \leq 3.6 \text{ V}$	[1]	-	$\pm 0.8$	-	LSB
		$2.2 \text{ V} \leq V_{DDA(3V3)} < 2.7 \text{ V}$		-	$\pm 1.0$	-	LSB
$E_{L(adj)}$	integral non-linearity	code = 0 to 975	[1]	-	$\pm 1.0$	-	LSB
		$2.7 \text{ V} \leq V_{DDA(3V3)} \leq 3.6 \text{ V}$		-	$\pm 1.5$	-	LSB
$E_O$	offset error	$2.7 \text{ V} \leq V_{DDA(3V3)} \leq 3.6 \text{ V}$	[1]	-	$\pm 0.8$	-	LSB
		$2.2 \text{ V} \leq V_{DDA(3V3)} < 2.7 \text{ V}$		-	$\pm 1.0$	-	LSB
$E_G$	gain error	$2.7 \text{ V} \leq V_{DDA(3V3)} \leq 3.6 \text{ V}$	[1]	-	$\pm 0.3$	-	%
		$2.2 \text{ V} \leq V_{DDA(3V3)} < 2.7 \text{ V}$		-	$\pm 1.0$	-	%
$C_L$	load capacitance			-	-	200	pF
$R_L$	load resistance			1	-	-	k $\Omega$
$t_s$	settling time		[1]		0.4		$\mu\sigma$

[1] In the DAC CR register, bit BIAS = 0 (see the *LPC18xx user manual*).

[2] Settling time is calculated within 1/2 LSB of the final value.

## 13. Application information

### 13.1 LCD panel signal usage

Table 35. LCD panel connections for STN single panel mode

External pin	4-bit mono STN single panel		8-bit mono STN single panel		Color STN single panel	
	LPC18xx pin used	LCD function	LPC18xx pin used	LCD function	LPC18xx pin used	LCD function
LCD_VD[23:8]	-	-	-	-	-	-
LCD_VD7	-	-	P8_4	UD[7]	P8_4	UD[7]
LCD_VD6	-	-	P8_5	UD[6]	P8_5	UD[6]
LCD_VD5	-	-	P8_6	UD[5]	P8_6	UD[5]
LCD_VD4	-	-	P8_7	UD[4]	P8_7	UD[4]
LCD_VD3	P4_2	UD[3]	P4_2	UD[3]	P4_2	UD[3]
LCD_VD2	P4_3	UD[2]	P4_3	UD[2]	P4_3	UD[2]
LCD_VD1	P4_4	UD[1]	P4_4	UD[1]	P4_4	UD[1]
LCD_VD0	P4_1	UD[0]	P4_1	UD[0]	P4_1	UD[0]
LCD_LP	P7_6	LCDLP	P7_6	LCDLP	P7_6	LCDLP
LCD_ENAB/ LCDM	P4_6	LCDENAB/ LCDM	P4_6	LCDENAB/ LCDM	P4_6	LCDENAB/ LCDM
LCD_FP	P4_5	LCDFP	P4_5	LCDFP	P4_5	LCDFP
LCD_DCLK	P4_7	LCDDCLK	P4_7	LCDDCLK	P4_7	LCDDCLK
LCD_LE	P7_0	LCDLE	P7_0	LCDLE	P7_0	LCDLE
LCD_PWR	P7_7	CDPWR	P7_7	CDPWR	P7_7	CDPWR
GP_CLKIN	PF_4	LCDCLKIN	PF_4	LCDCLKIN	PF_4	LCDCLKIN

Table 36. LCD panel connections for STN dual panel mode

External pin	4-bit mono STN dual panel		8-bit mono STN dual panel		Color STN dual panel	
	LPC18xx pin used	LCD function	LPC18xx pin used	LCD function	LPC18xx pin used	LCD function
LCD_VD[23:16]	-	-	-	-	-	-
LCD_VD15	-	-	PB_4	LD[7]	PB_4	LD[7]
LCD_VD14	-	-	PB_5	LD[6]	PB_5	LD[6]
LCD_VD13	-	-	PB_6	LD[5]	PB_6	LD[5]
LCD_VD12	-	-	P8_3	LD[4]	P8_3	LD[4]
LCD_VD11	P4_9	LD[3]	P4_9	LD[3]	P4_9	LD[3]
LCD_VD10	P4_10	LD[2]	P4_10	LD[2]	P4_10	LD[2]
LCD_VD9	P4_8	LD[1]	P4_8	LD[1]	P4_8	LD[1]
LCD_VD8	P7_5	LD[0]	P7_5	LD[0]	P7_5	LD[0]
LCD_VD7	-	-	-	UD[7]	P8_4	UD[7]
LCD_VD6	-	-	P8_5	UD[6]	P8_5	UD[6]
LCD_VD5	-	-	P8_6	UD[5]	P8_6	UD[5]
LCD_VD4	-	-	P8_7	UD[4]	P8_7	UD[4]
LCD_VD3	P4_2	UD[3]	P4_2	UD[3]	P4_2	UD[3]

**Table 36. LCD panel connections for STN dual panel mode**

External pin	4-bit mono STN dual panel		8-bit mono STN dual panel		Color STN dual panel	
	LPC18xx pin used	LCD function	LPC18xx pin used	LCD function	LPC18xx pin used	LCD function
LCD_VD2	P4_3	UD[2]	P4_3	UD[2]	P4_3	UD[2]
LCD_VD1	P4_4	UD[1]	P4_4	UD[1]	P4_4	UD[1]
LCD_VD0	P4_1	UD[0]	P4_1	UD[0]	P4_1	UD[0]
LCD_LP	P7_6	LCDLP	P7_6	LCDLP	P7_6	LCDLP
LCD_ENAB/ LCDM	P4_6	LCDENAB/ LCDM	P4_6	LCDENAB/ LCDM	P4_6	LCDENAB/ LCDM
LCD_FP	P4_5	LCDFP	P4_5	LCDFP	P4_5	LCDFP
LCD_DCLK	P4_7	LCDDCLK	P4_7	LCDDCLK	P4_7	LCDDCLK
LCD_LE	P7_0	LCDLE	P7_0	LCDLE	P7_0	LCDLE
LCD_PWR	P7_7	LCDPWR	P7_7	LCDPWR	P7_7	LCDPWR
GP_CLKIN	PF_4	LCDCLKIN	PF_4	LCDCLKIN	PF_4	LCDCLKIN

**Table 37. LCD panel connections for TFT panels**

External pin	TFT 12 bit (4:4:4 mode)		TFT 16 bit (5:6:5 mode)		TFT 16 bit (1:5:5:5 mode)		TFT 24 bit	
	LPC18xx pin used	LCD function	LPC18xx pin used	LCD function	LPC18xx pin used	LCD function	LPC18xx pin used	LCD function
LCD_VD23	PB_0	BLUE3	PB_0	BLUE4	PB_0	BLUE4	PB_0	BLUE7
LCD_VD22	PB_1	BLUE2	PB_1	BLUE3	PB_1	BLUE3	PB_1	BLUE6
LCD_VD21	PB_2	BLUE1	PB_2	BLUE2	PB_2	BLUE2	PB_2	BLUE5
LCD_VD20	PB_3	BLUE0	PB_3	BLUE1	PB_3	BLUE1	PB_3	BLUE4
LCD_VD19	-	-	P7_1	BLUE0	P7_1	BLUE0	P7_1	BLUE3
LCD_VD18	-	-	-	-	P7_2	intensity	P7_2	BLUE2
LCD_VD17	-	-	-	-	-	-	P7_3	BLUE1
LCD_VD16	-	-	-	-	-	-	P7_4	BLUE0
LCD_VD15	PB_4	GREEN3	PB_4	GREEN5	PB_4	GREEN4	PB_4	GREEN7
LCD_VD14	PB_5	GREEN2	PB_5	GREEN4	PB_5	GREEN3	PB_5	GREEN6
LCD_VD13	PB_6	GREEN1	PB_6	GREEN3	PB_6	GREEN2	PB_6	GREEN5
LCD_VD12	P8_3	GREEN0	P8_3	GREEN2	P8_3	GREEN1	P8_3	GREEN4
LCD_VD11	-	-	P4_9	GREEN1	P4_9	GREEN0	P4_9	GREEN3
LCD_VD10	-	-	P4_10	GREEN0	P4_10	intensity	P4_10	GREEN2
LCD_VD9	-	-	-	-	-	-	P4_8	GREEN1
LCD_VD8	-	-	-	-	-	-	P7_5	GREEN0
LCD_VD7	P8_4	RED3	P8_4	RED4	P8_4	RED4	P8_4	RED7
LCD_VD6	P8_5	RED2	P8_5	RED3	P8_5	RED3	P8_5	RED6
LCD_VD5	P8_6	RED1	P8_6	RED2	P8_6	RED2	P8_6	RED5
LCD_VD4	P8_7	RED0	P8_7	RED1	P8_7	RED1	P8_7	RED4
LCD_VD3	-	-	P4_2	RED0	P4_2	RED0	P4_2	RED3
LCD_VD2	-	-	-	-	P4_3	intensity	P4_3	RED2
LCD_VD1	-	-	-	-	-	-	P4_4	RED1

Table 37. LCD panel connections for TFT panels

External pin	TFT 12 bit (4:4:4 mode)		TFT 16 bit (5:6:5 mode)		TFT 16 bit (1:5:5:5 mode)		TFT 24 bit	
	LPC18xx pin used	LCD function	LPC18xx pin used	LCD function	LPC18xx pin used	LCD function	LPC18xx pin used	LCD function
LCD_VD0	-	-	-	-	-	-	P4_1	RED0
LCD_LP	P7_6	LCDLP	P7_6	LCDLP	P7_6	LCDLP	P7_6	LCDLP
LCD_ENAB /LCDM	P4_6	LCDENAB/ LCDM	P4_6	LCDENAB/ LCDM	P4_6	LCDENAB/ LCDM	P4_6	LCDENAB/ LCDM
LCD_FP	P4_5	LCDFP	P4_5	LCDFP	P4_5	LCDFP	P4_5	LCDFP
LCD_DCLK	P4_7	LCDDCLK	P4_7	LCDDCLK	P4_7	LCDDCLK	P4_7	LCDDCLK
LCD_LE	P7_0	LCDLE	P7_0	LCDLE	P7_0	LCDLE	P7_0	LCDLE
LCD_PWR	P7_7	LCDPWR	P7_7	LCDPWR	P7_7	LCDPWR	P7_7	LCDPWR
GP_CLKIN	PF_4	LCDCLKIN	PF_4	LCDCLKIN	PF_4	LCDCLKIN	PF_4	LCDCLKIN

### 13.2 Crystal oscillator

The crystal oscillator is controlled by the XTAL\_OSC\_CTRL register in the CGU (see *LPC18xx user manual*).

The crystal oscillator operates at frequencies of 1 MHz to 25 MHz. This frequency can be boosted to a higher frequency, up to the maximum CPU operating frequency, by the PLL.

The oscillator can operate in one of two modes: slave mode and oscillation mode.

- In slave mode, couple the input clock signal with a capacitor of 100 pF ( $C_C$  in [Figure 41](#)), with an amplitude of at least 200 mV (RMS). The XTAL2 pin in this configuration can be left unconnected.
- External components and models used in oscillation mode are shown in [Figure 42](#), and in [Table 38](#) and [Table 39](#). Since the feedback resistance is integrated on chip, only a crystal and the capacitances  $C_{X1}$  and  $C_{X2}$  need to be connected externally in case of fundamental mode oscillation (L, CL and RS represent the fundamental frequency). Capacitance  $C_P$  in [Figure 42](#) represents the parallel package capacitance and must not be larger than 7 pF. Parameters FC, CL, RS and CP are supplied by the crystal manufacturer.

Table 38. Recommended values for  $C_{X1/X2}$  in oscillation mode (crystal and external components parameters) low frequency mode

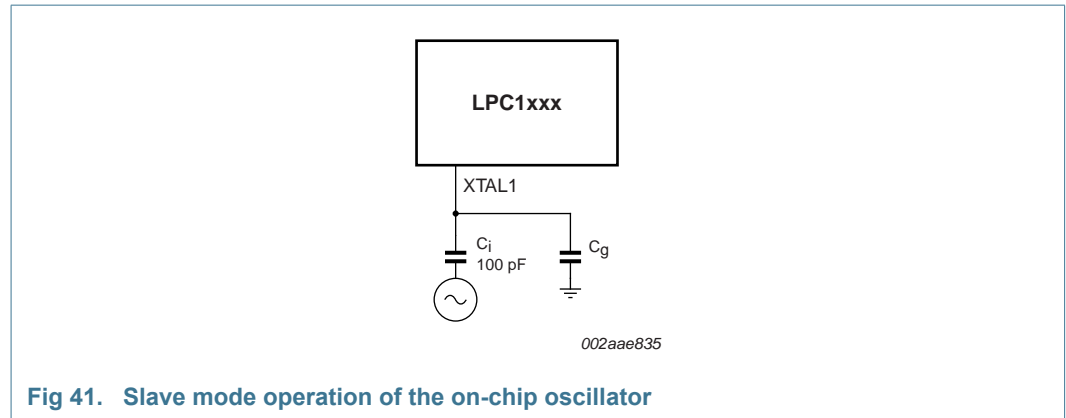
Fundamental oscillation frequency	Maximum crystal series resistance $R_S$	External load capacitors $C_{X1}, C_{X2}$
2 MHz	< 200 $\Omega$	33 pF, 33 pF
	< 200 $\Omega$	39 pF, 39 pF
	< 200 $\Omega$	56 pF, 56 pF
4 MHz	< 200 $\Omega$	18 pF, 18 pF
	< 200 $\Omega$	39 pF, 39 pF
	< 200 $\Omega$	56 pF, 56 pF
8 MHz	< 200 $\Omega$	18 pF, 18 pF
	< 200 $\Omega$	39 pF, 39 pF

**Table 38. Recommended values for  $C_{X1/X2}$  in oscillation mode (crystal and external components parameters) low frequency mode**

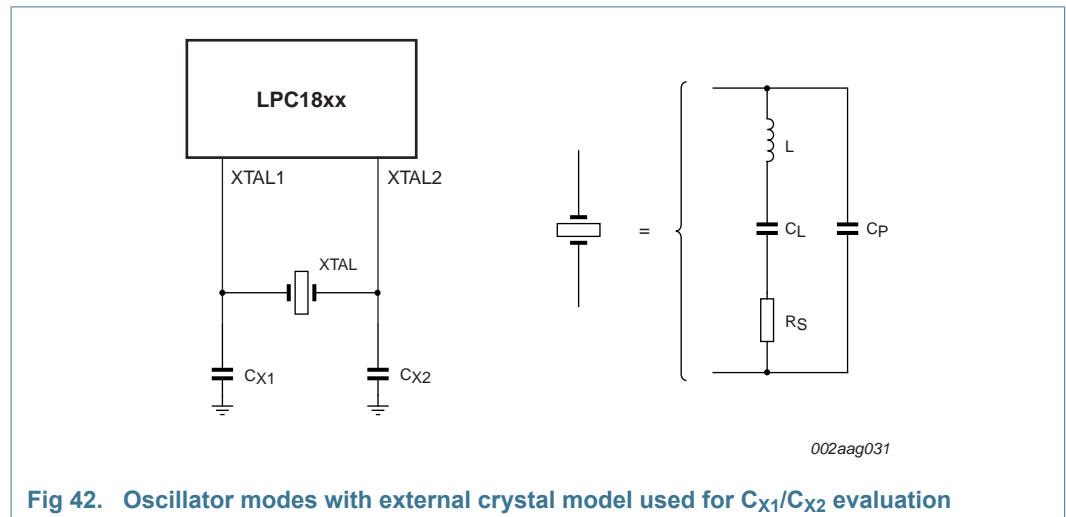
Fundamental oscillation frequency	Maximum crystal series resistance $R_S$	External load capacitors $C_{X1}, C_{X2}$
12 MHz	< 160 $\Omega$	18 pF, 18 pF
	< 160 $\Omega$	39 pF, 39 pF
16 MHz	< 120 $\Omega$	18 pF, 18 pF
	< 80 $\Omega$	33 pF, 33 pF
20 MHz	< 100 $\Omega$	18 pF, 18 pF
	< 80 $\Omega$	33 pF, 33 pF

**Table 39. Recommended values for  $C_{X1/X2}$  in oscillation mode (crystal and external components parameters) high frequency mode**

Fundamental oscillation frequency	Maximum crystal series resistance $R_S$	External load capacitors $C_{X1}, C_{X2}$
15 MHz	< 80 $\Omega$	18 pF, 18 pF
20 MHz	< 80 $\Omega$	39 pF, 39 pF
	< 100 $\Omega$	47 pF, 47 pF



**Fig 41. Slave mode operation of the on-chip oscillator**



**Fig 42. Oscillator modes with external crystal model used for  $C_{X1}/C_{X2}$  evaluation**

### 13.3 RTC oscillator

In the RTC oscillator circuit, only the crystal (XTAL) and the capacitances  $C_{RTCX1}$  and  $C_{RTCX2}$  need to be connected externally. Typical capacitance values for  $C_{RTCX1}$  and  $C_{RTCX2}$  are  $C_{RTCX1/2} = 20$  (typical)  $\pm 4$  pF.

An external clock can be connected to RTCX1 if RTCX2 is left open. The recommended amplitude of the clock signal is  $V_{i(RMS)} = 100$  mV to 200 mV with a coupling capacitance of 5 pF to 10 pF.  $V_{i(RMS)}$  must be lower than 450 mV. See [Figure 41](#) for a similar slave-mode set-up that uses the crystal oscillator.

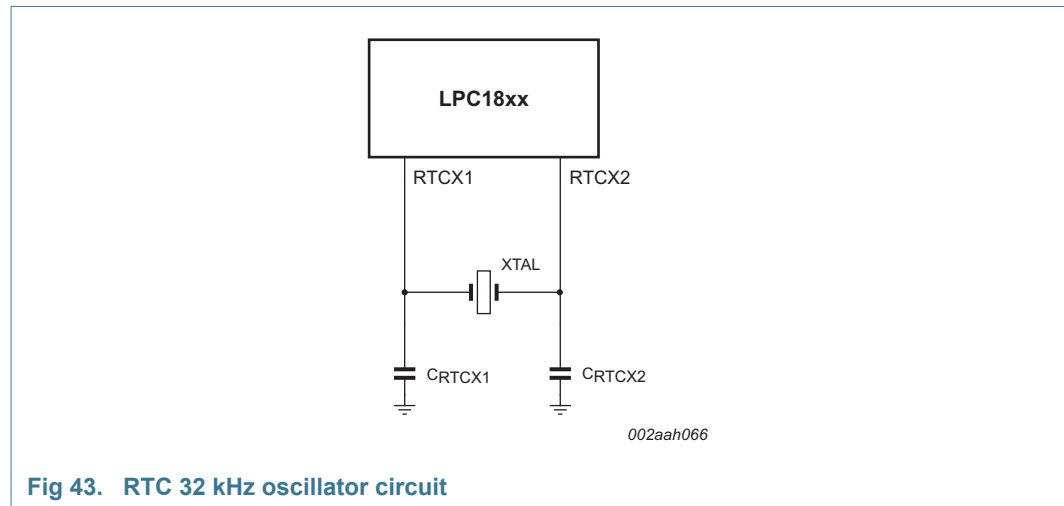


Fig 43. RTC 32 kHz oscillator circuit

### 13.4 XTAL and RTCX Printed Circuit Board (PCB) layout guidelines

Connect the crystal on the PCB as close as possible to the oscillator input and output pins of the chip. Take care that the load capacitors  $C_{X1}$ ,  $C_{X2}$ , and  $C_{X3}$  in case of third overtone crystal usage have a common ground plane. Also connect the external components to the ground plain. To keep the noise coupled in via the PCB as small as possible, make loops and parasitics as small as possible. Choose smaller values of  $C_{X1}$  and  $C_{X2}$  if parasitics increase in the PCB layout.

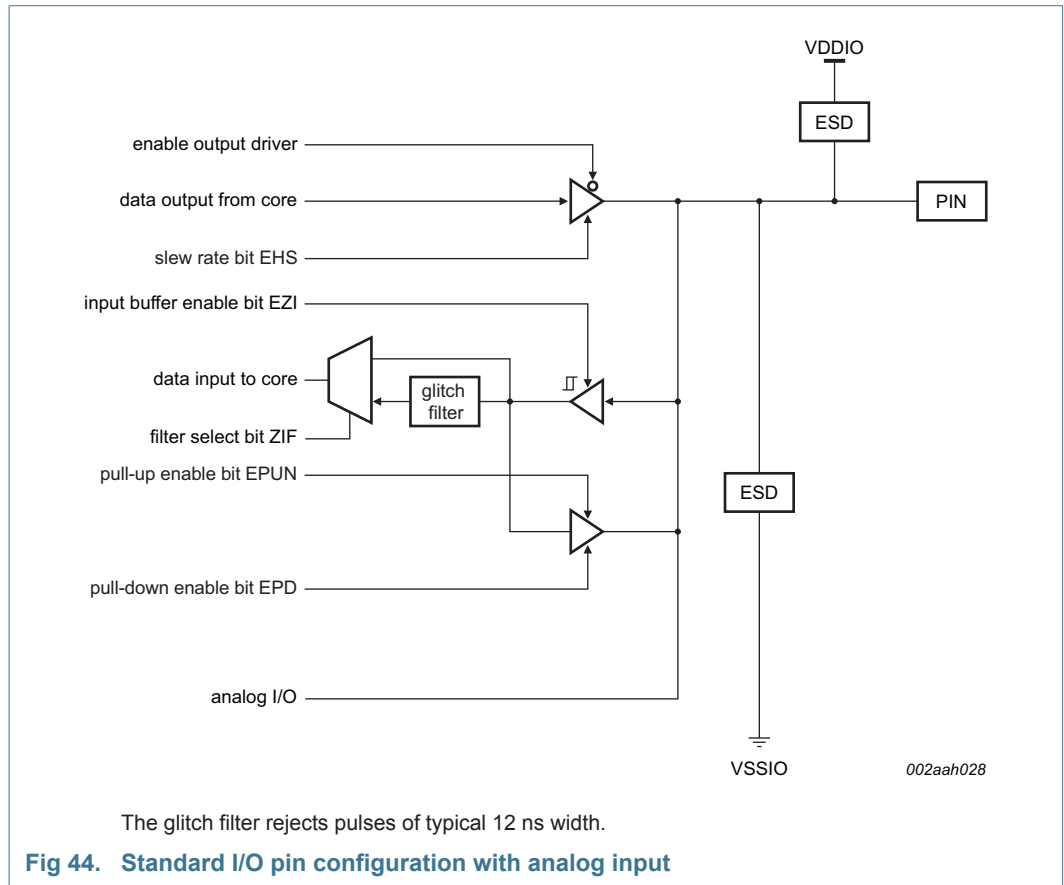
Ensure that no high-speed or high-drive signals are near the RTCX1/2 signals.

### 13.5 Standard I/O pin configuration

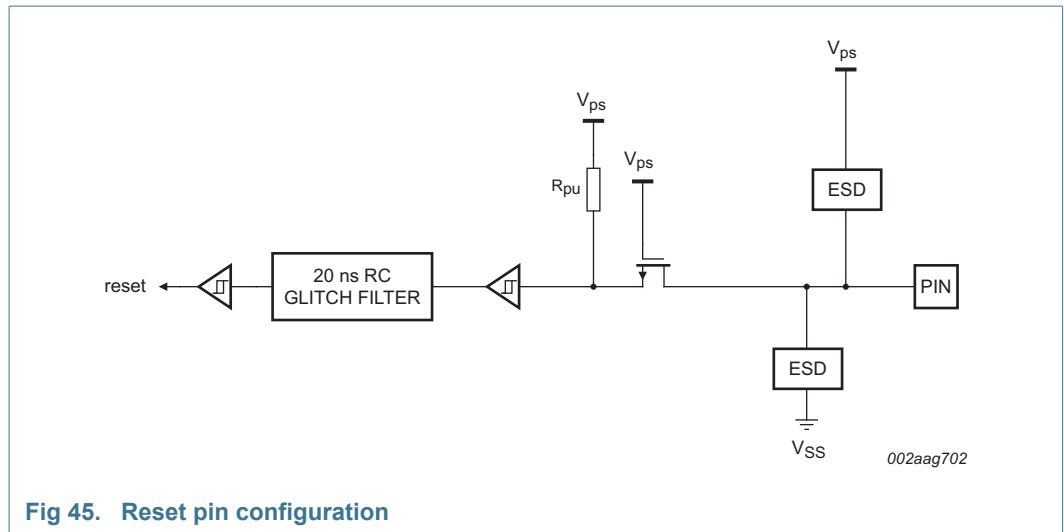
[Figure 44](#) shows the possible pin modes for standard I/O pins with analog input function:

- Digital output driver enabled/disabled
- Digital input: Pull-up enabled/disabled
- Digital input: Pull-down enabled/disabled
- Digital input: Repeater mode enabled/disabled
- Digital input: Input buffer enabled/disabled
- Analog input

The default configuration for standard I/O pins is input buffer disabled and pull-up enabled. The weak MOS devices provide a drive capability equivalent to pull-up and pull-down resistors.



### 13.6 Reset pin configuration



### 13.7 Suggested USB interface solutions

The USB device can be connected to the USB as self-powered device (see [Figure 46](#)) or bus-powered device (see [Figure 47](#)).

On the LPC18S50/S30/S10, USBn\_VBUS pins are 5 V tolerant only when VDDIO is applied and at operating voltage level. Therefore, if the USBn\_VBUS function is connected to the USB connector and the device is self-powered, the USBn\_VBUS pins must be protected for situations when VDDIO = 0 V.

If VDDIO is always at operating level while VBUS = 5 V, the USBn\_VBUS pin can be connected directly to the VBUS pin on the USB connector.

For systems where VDDIO can be 0 V and VBUS is directly applied to the USBn\_VBUS pins, precautions must be taken to reduce the voltage to below 3.6 V, which is the maximum allowable voltage on the USBn\_VBUS pins in this case.

One method is to use a voltage divider to connect the USBn\_VBUS pins to VBUS on the USB connector. The voltage divider ratio should be such that the USB\_VBUS pin will be greater than 0.7VDDIO to indicate a logic HIGH while below the 3.6 V allowable maximum voltage.

For the following operating conditions

$$VBUS_{max} = 5.25 \text{ V}$$

$$VDDIO = 3.6 \text{ V,}$$

the voltage divider should provide a reduction of 3.6 V/5.25 V or ~0.686 V.

For bus-powered devices, a regulator powered by USB can provide 3.3 V to VDDIO whenever bus power is present and ensure that power to the USBn\_VBUS pins is always present when the 5 V VBUS signal is applied. See [Figure 47](#).

**Remark:** Applying 5 V to the USBn\_VBUS pins for a short time while the regulator ramps up might compromise the long-term reliability of the part but does not affect its function.

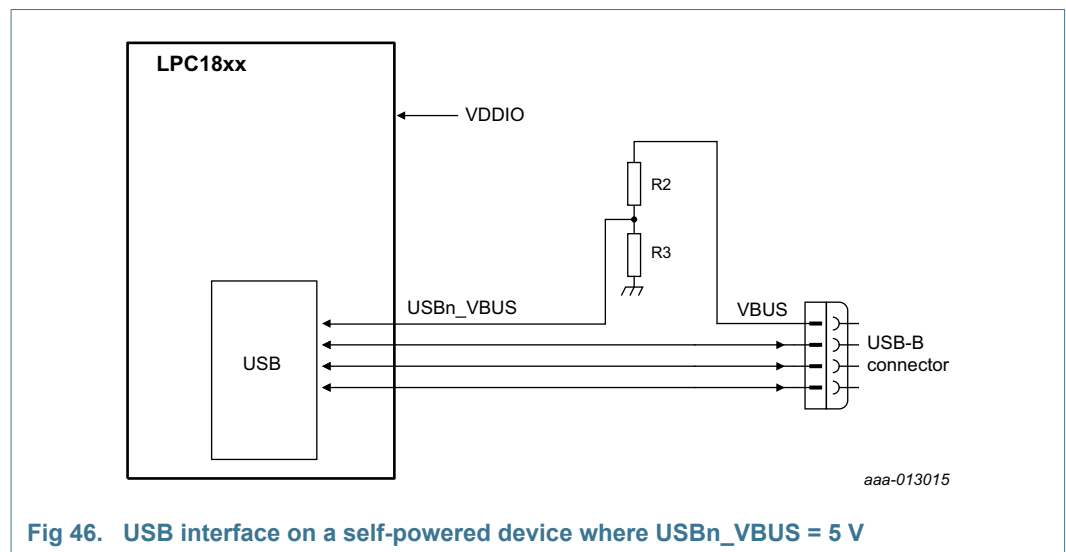


Fig 46. USB interface on a self-powered device where USBn\_VBUS = 5 V

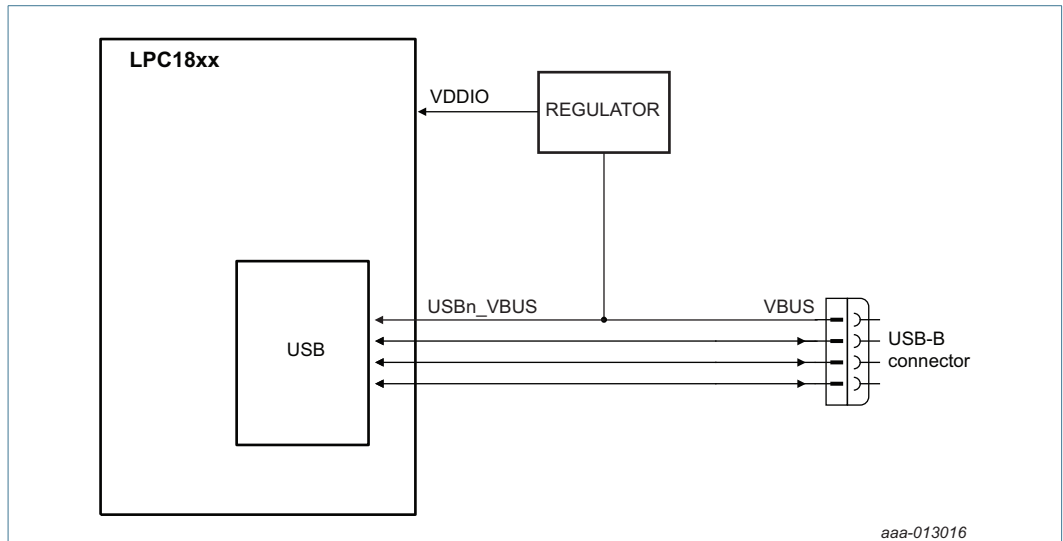


Fig 47. USB interface on a bus-powered device

**Remark:** If the VBUS function of the USB1 interface is not connected, configure the pin function for GPIO using the function control bits in the SYSCON block.

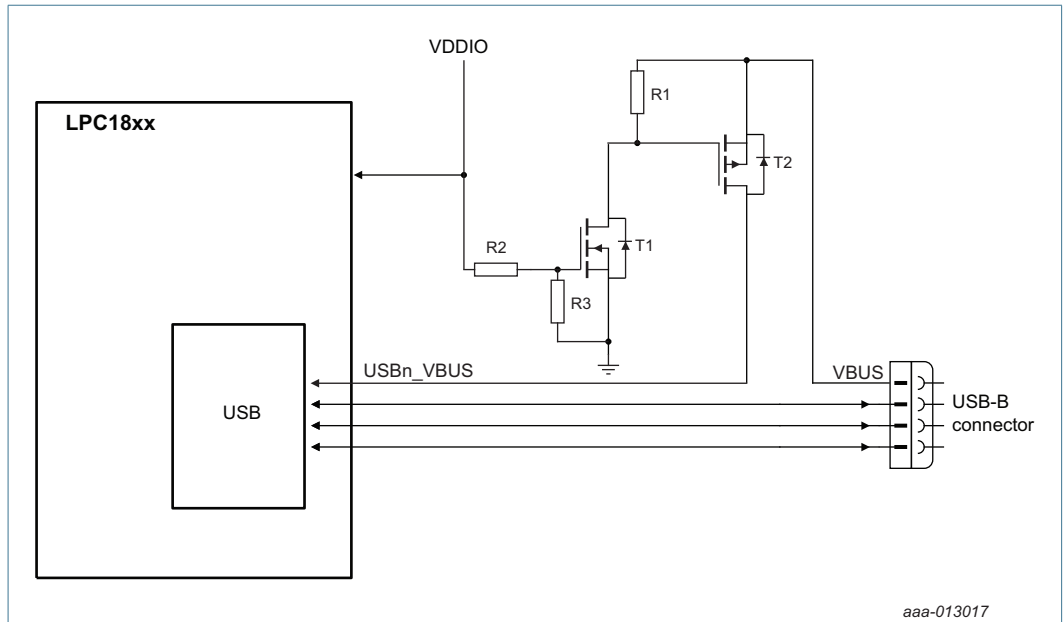


Fig 48. USB interface if the USB operates in OTG mode

**Remark:** In OTG mode, it is important to be able to detect the VBUS level and to charge and discharge VBUS. This requires adding active devices that disconnect the link when VDDIO is not present.

14. Package outline

LPGA256: plastic low profile ball grid array package; 256 balls; body 17 x 17 x 1 mm

SOT740-2

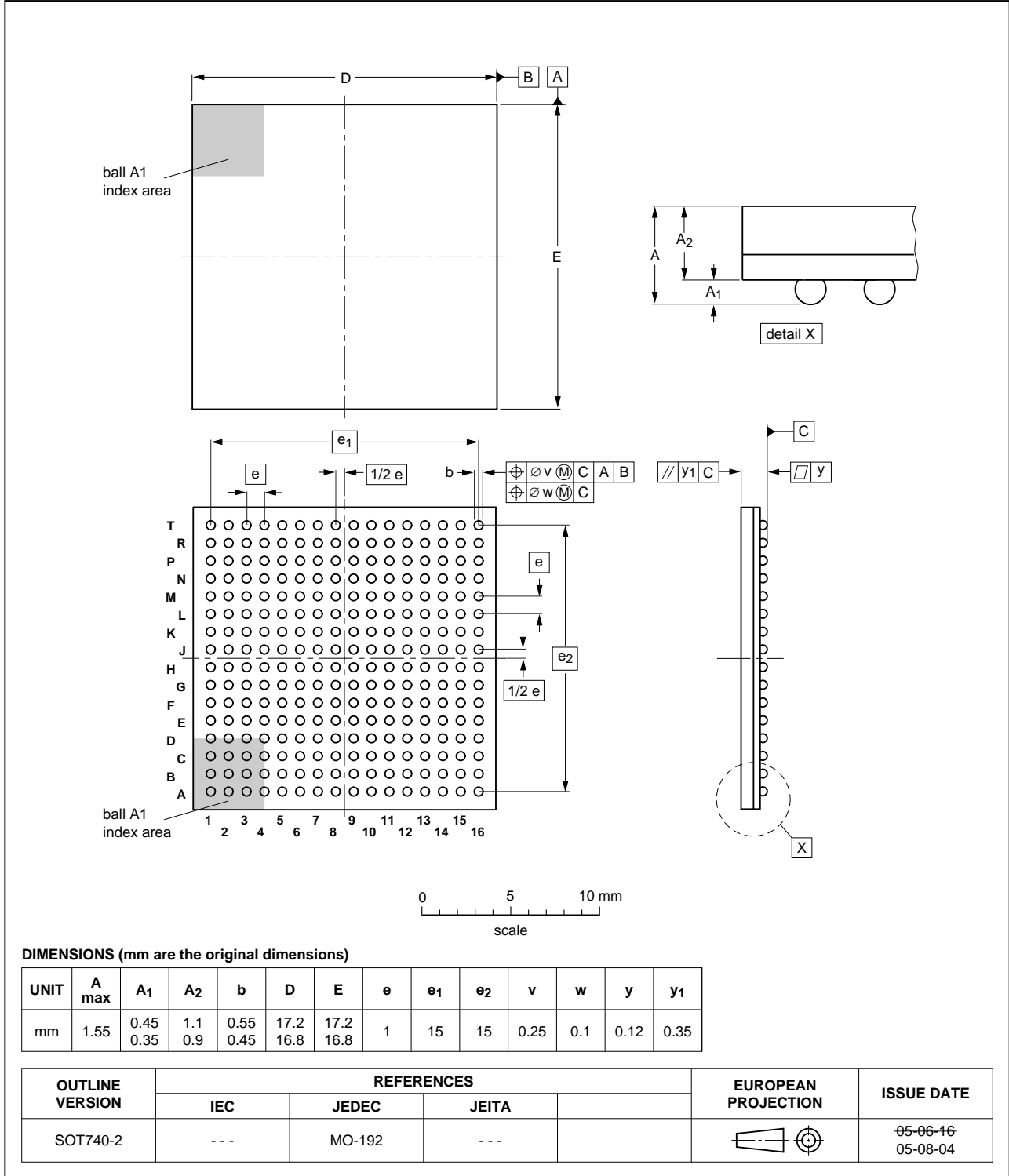


Fig 49. Package outline of the LPGA256 package

TFBGA180: thin fine-pitch ball grid array package; 180 balls

SOT570-3

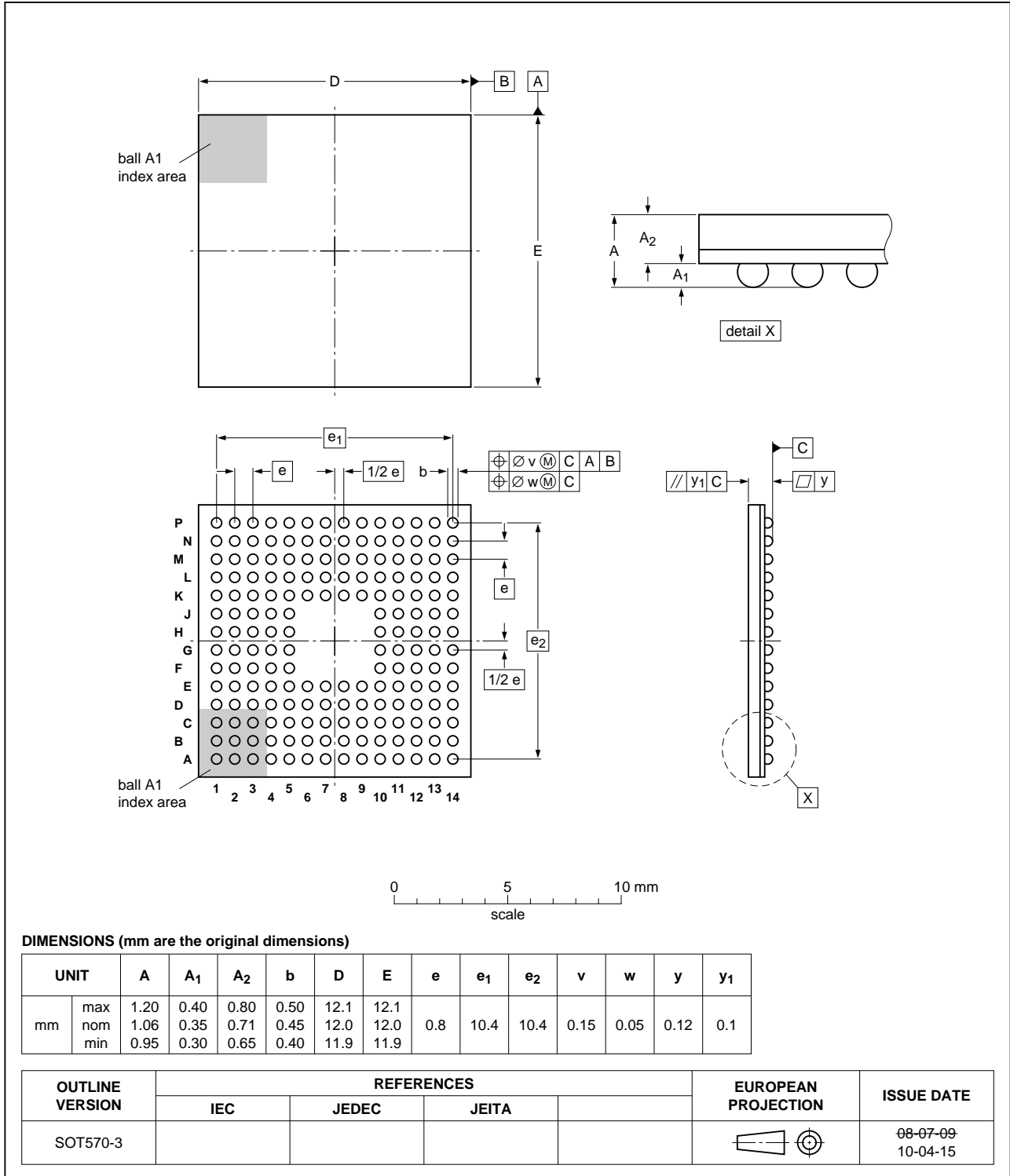


Fig 50. Package outline of the TFBGA180 package

TFBGA100: plastic thin fine-pitch ball grid array package; 100 balls; body 9 x 9 x 0.7 mm

SOT926-1

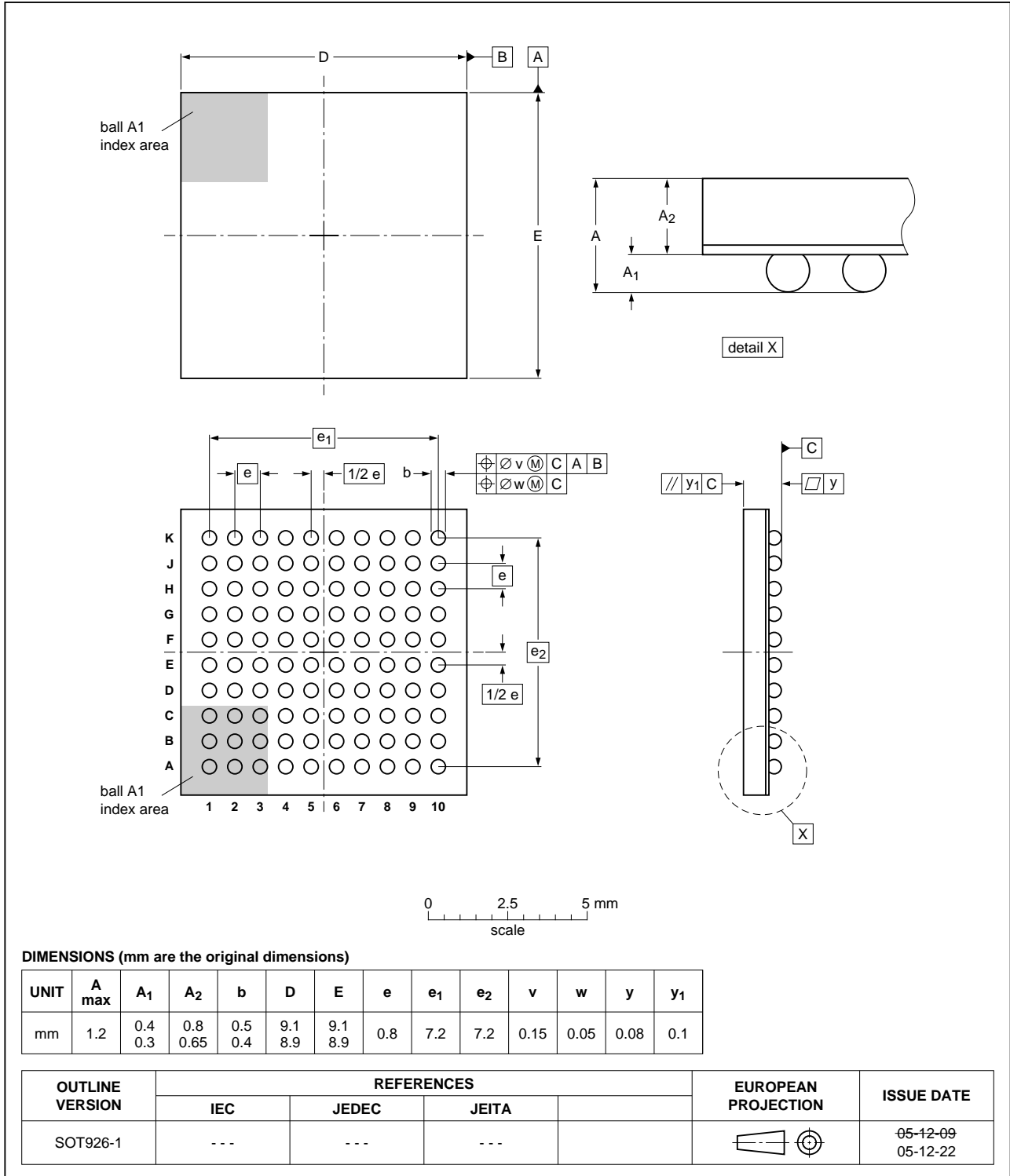


Fig 51. Package outline of the TFBGA100 package

LQFP144: plastic low profile quad flat package; 144 leads; body 20 x 20 x 1.4 mm

SOT486-1

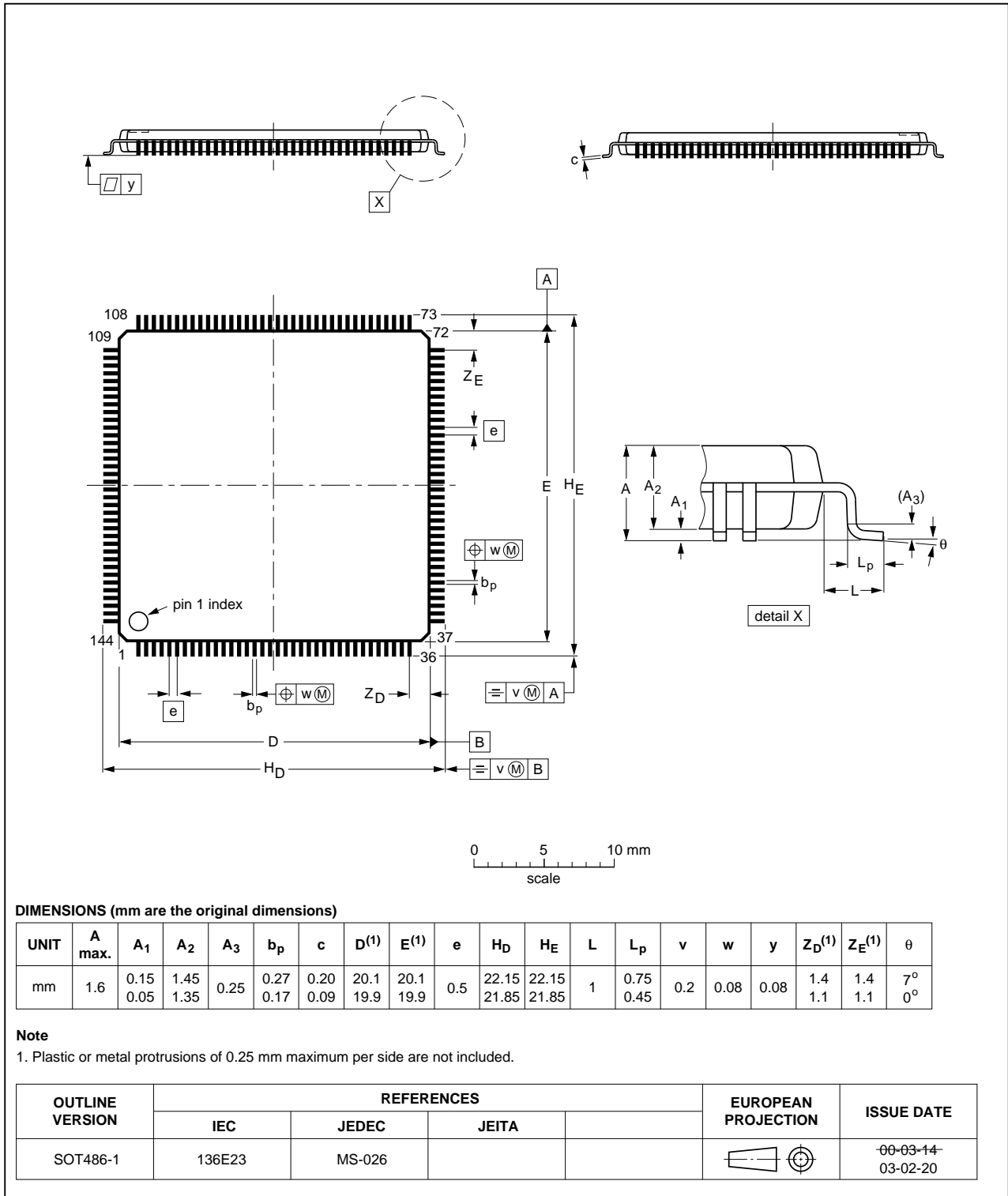
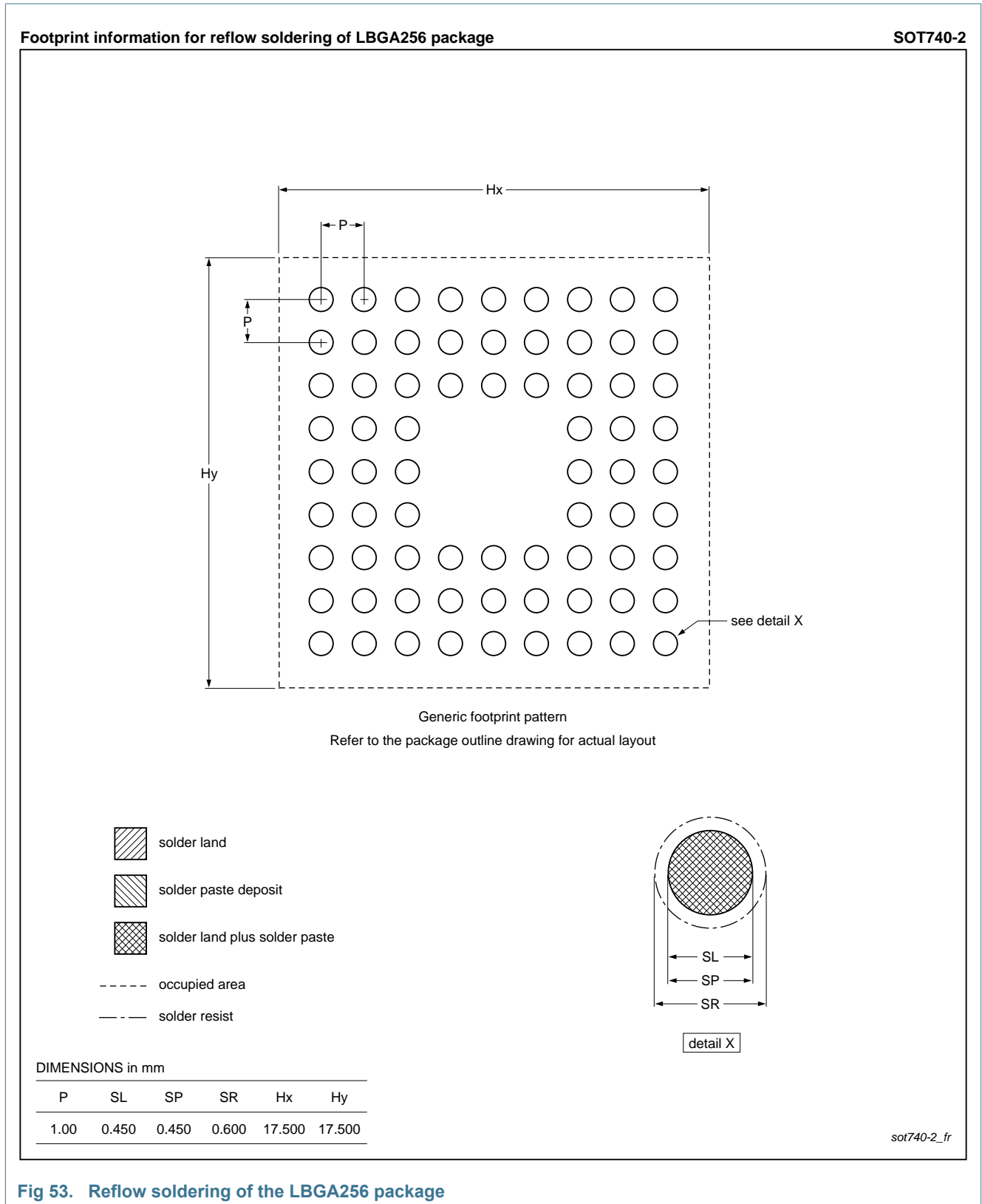
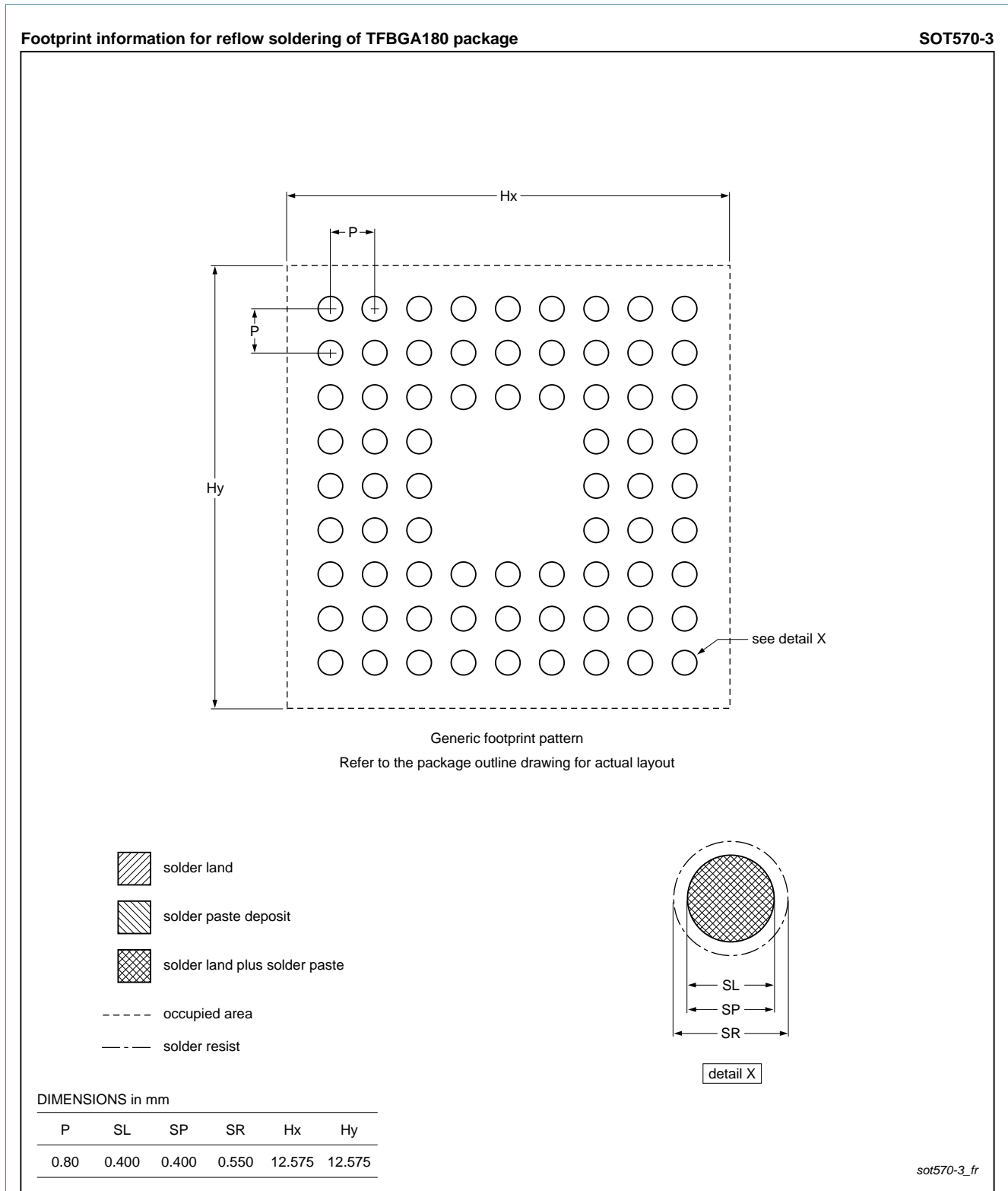


Fig 52. Package outline for the LQFP144 package

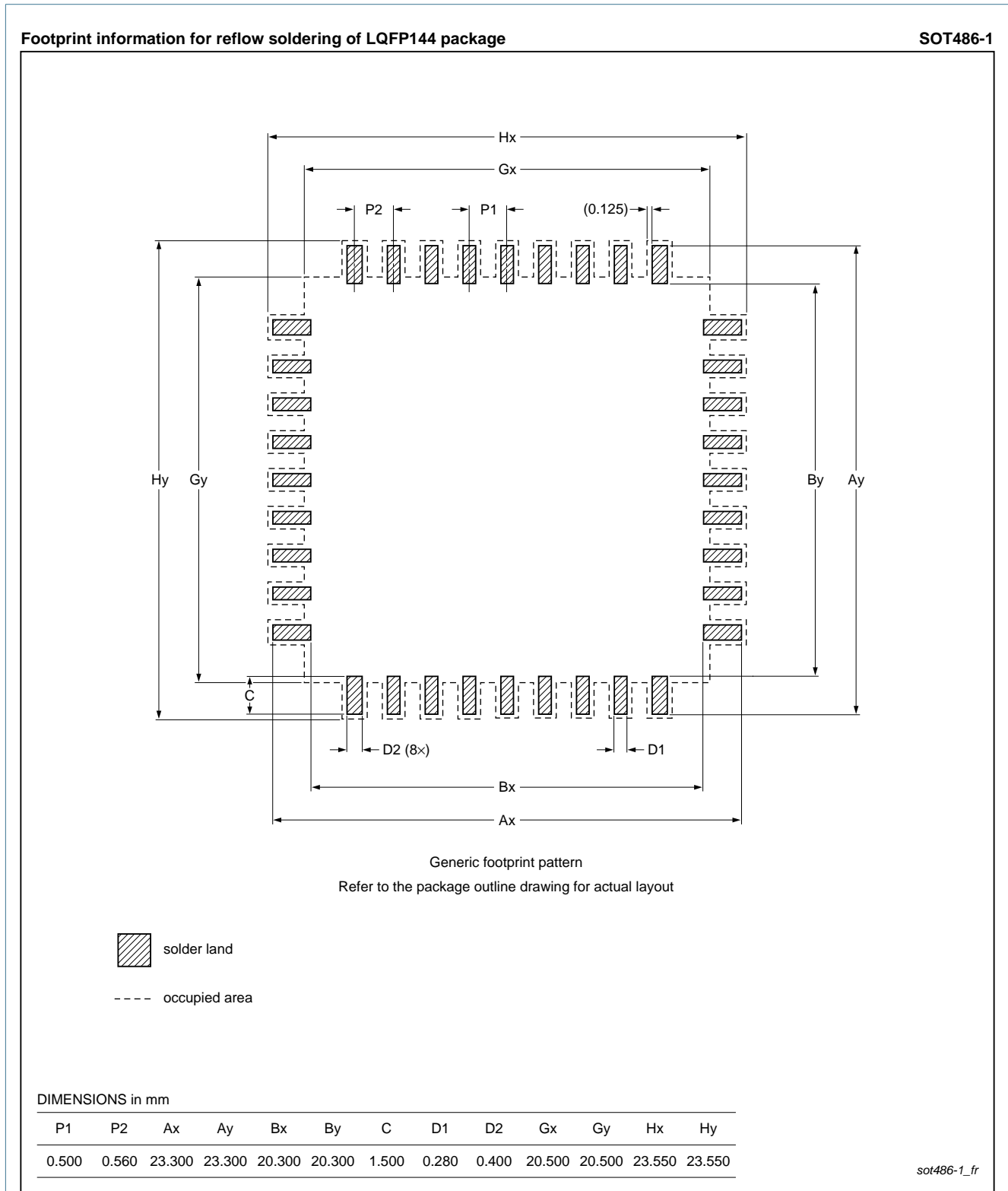
### 15. Soldering



**Fig 53. Reflow soldering of the LPGA256 package**



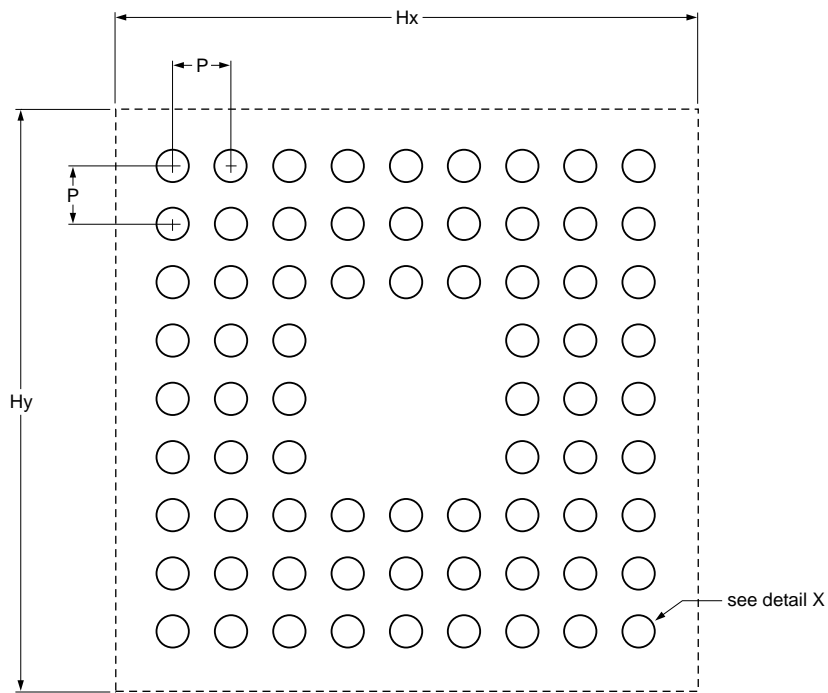
**Fig 54. Reflow soldering of the TFBGA180 package**






**Fig 55. Reflow soldering of the LQFP144 package**

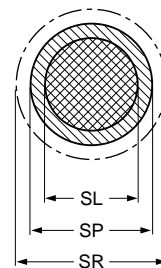
Footprint information for reflow soldering of TFBGA100 package

SOT926-1



Generic footprint pattern  
Refer to the package outline drawing for actual layout

-  solder land
-  solder paste deposit
-  solder land plus solder paste
- occupied area
- solder resist



detail X

DIMENSIONS in mm

P	SL	SP	SR	Hx	Hy
0.80	0.330	0.400	0.480	9.400	9.400

sot926-1\_fr

Fig 56. Reflow soldering of the TFBGA100 package

## 16. Abbreviations

Table 40. Abbreviations

Acronym	Description
ADC	Analog-to-Digital Converter
AHB	Advanced High-performance Bus
APB	Advanced Peripheral Bus
API	Application Programming Interface
BOD	BrownOut Detection
BGA	Ball Grid Array
CAN	Controller Area Network
CMAC	Cipher-based Message Authentication Code
CSMA/CD	Carrier Sense Multiple Access with Collision Detection
DAC	Digital-to-Analog Converter
DMA	Direct Memory Access
EOP	End Of Packet
ETB	Embedded Trace Buffer
ETM	Embedded Trace Macrocell
GPIO	General-Purpose Input/Output
IRC	Internal RC
IrDA	Infrared Data Association
JTAG	Joint Test Action Group
LCD	Liquid Crystal Display
LSB	Least Significant Bit
LQFP	Low Quad Flat Package
MAC	Media Access Control
MCU	MicroController Unit
MIIM	Media Independent Interface Management
n.c.	not connected
OTG	On-The-Go
PHY	PHYsical layer
PLL	Phase-Locked Loop
PWM	Pulse Width Modulator
RMII	Reduced Media Independent Interface
SDRAM	Synchronous Dynamic Random Access Memory
SPI	Serial Peripheral Interface
SSI	Serial Synchronous Interface
SSP	Synchronous Serial Port
TCP/IP	Transmission Control Protocol/Internet Protocol
TTL	Transistor-Transistor Logic
UART	Universal Asynchronous Receiver/Transmitter
ULPI	UTMI+ Low Pin Interface

Table 40. Abbreviations ...continued

Acronym	Description
USART	Universal Synchronous Asynchronous Receiver/Transmitter
USB	Universal Serial Bus
UTMI	USB 2.0 Transceiver Macrocell Interface

## 17. References

- [1] LPC18xx User manual UM10430:  
[http://www.nxp.com/documents/user\\_manual/UM10430.pdf](http://www.nxp.com/documents/user_manual/UM10430.pdf)
- [2] LPC18SX0 Errata sheet

## 18. Revision history

Table 41. Revision history

Document ID	Release date	Data sheet status	Change notice	Supersedes
LPC18S50_S30_S10 v.1.3	20200109	Product data sheet	-	LPC18S50_S30_S10 v.1.2
				<ul style="list-style-type: none"> <li>Updated for rise and fall times for I/O pins configured as input only.</li> </ul>
LPC18S50_S30_S10 v.1.2	20160303	Product data sheet	-	LPC18S50_S30_S10 v.1.1
				<ul style="list-style-type: none"> <li>Updated <a href="#">Table 25 “Dynamic characteristics: Dynamic external memory interface”</a>: Read cycle parameters <math>t_{h(D)}</math> min value is 2.2 ns and max value is “-”.</li> </ul>
LPC18S50_S30_S10 v.1.1	<td>	Product data sheet	2015110031	LPC18S50_S30_S10 v.1.0
Modifications:				<ul style="list-style-type: none"> <li>Updated SSP slave and SSP master values in <a href="#">Table 23 “Dynamic characteristics: SSP pins in SPI mode”</a>. Updated footnote 2 to: <math>T_{cy(clk)} \geq 12 \times T_{cy(PCLK)}</math>. <ul style="list-style-type: none"> <li>removed <math>t_{v(Q)}</math>, data output valid time in SPI mode, minimum value of <math>3 \cdot (1/PCLK)</math> from SSP slave mode.</li> <li>added units to <math>t_d</math>, delay time, for SSP slave and master mode.</li> </ul> </li> <li>Added GPCLKIN section and table. See <a href="#">Section 11.6 “GPCLKIN”</a> and <a href="#">Table 18 “Dynamic characteristic: GPCLKIN”</a>.</li> </ul>
LPC18S50_S30_S10 v.1.0	20150210	Product data sheet	-	-

## 19. Legal information

### 19.1 Data sheet status

Document status <sup>[1][2]</sup>	Product status <sup>[3]</sup>	Definition
Objective [short] data sheet	Development	This document contains data from the objective specification for product development.
Preliminary [short] data sheet	Qualification	This document contains data from the preliminary specification.
Product [short] data sheet	Production	This document contains the product specification.

[1] Please consult the most recently issued document before initiating or completing a design.

[2] The term 'short data sheet' is explained in section "Definitions".

[3] The product status of device(s) described in this document may have changed since this document was published and may differ in case of multiple devices. The latest product status information is available on the Internet at URL <http://www.nxp.com>.

### 19.2 Definitions

**Draft** — The document is a draft version only. The content is still under internal review and subject to formal approval, which may result in modifications or additions. NXP Semiconductors does not give any representations or warranties as to the accuracy or completeness of information included herein and shall have no liability for the consequences of use of such information.

**Short data sheet** — A short data sheet is an extract from a full data sheet with the same product type number(s) and title. A short data sheet is intended for quick reference only and should not be relied upon to contain detailed and full information. For detailed and full information see the relevant full data sheet, which is available on request via the local NXP Semiconductors sales office. In case of any inconsistency or conflict with the short data sheet, the full data sheet shall prevail.

**Product specification** — The information and data provided in a Product data sheet shall define the specification of the product as agreed between NXP Semiconductors and its customer, unless NXP Semiconductors and customer have explicitly agreed otherwise in writing. In no event however, shall an agreement be valid in which the NXP Semiconductors product is deemed to offer functions and qualities beyond those described in the Product data sheet.

### 19.3 Disclaimers

**Limited warranty and liability** — Information in this document is believed to be accurate and reliable. However, NXP Semiconductors does not give any representations or warranties, expressed or implied, as to the accuracy or completeness of such information and shall have no liability for the consequences of use of such information. NXP Semiconductors takes no responsibility for the content in this document if provided by an information source outside of NXP Semiconductors.

In no event shall NXP Semiconductors be liable for any indirect, incidental, punitive, special or consequential damages (including - without limitation - lost profits, lost savings, business interruption, costs related to the removal or replacement of any products or rework charges) whether or not such damages are based on tort (including negligence), warranty, breach of contract or any other legal theory.

Notwithstanding any damages that customer might incur for any reason whatsoever, NXP Semiconductors' aggregate and cumulative liability towards customer for the products described herein shall be limited in accordance with the *Terms and conditions of commercial sale* of NXP Semiconductors.

**Right to make changes** — NXP Semiconductors reserves the right to make changes to information published in this document, including without limitation specifications and product descriptions, at any time and without notice. This document supersedes and replaces all information supplied prior to the publication hereof.

**Suitability for use** — NXP Semiconductors products are not designed, authorized or warranted to be suitable for use in life support, life-critical or safety-critical systems or equipment, nor in applications where failure or malfunction of an NXP Semiconductors product can reasonably be expected to result in personal injury, death or severe property or environmental damage. NXP Semiconductors and its suppliers accept no liability for inclusion and/or use of NXP Semiconductors products in such equipment or applications and therefore such inclusion and/or use is at the customer's own risk.

**Applications** — Applications that are described herein for any of these products are for illustrative purposes only. NXP Semiconductors makes no representation or warranty that such applications will be suitable for the specified use without further testing or modification.

Customers are responsible for the design and operation of their applications and products using NXP Semiconductors products, and NXP Semiconductors accepts no liability for any assistance with applications or customer product design. It is customer's sole responsibility to determine whether the NXP Semiconductors product is suitable and fit for the customer's applications and products planned, as well as for the planned application and use of customer's third party customer(s). Customers should provide appropriate design and operating safeguards to minimize the risks associated with their applications and products.

NXP Semiconductors does not accept any liability related to any default, damage, costs or problem which is based on any weakness or default in the customer's applications or products, or the application or use by customer's third party customer(s). Customer is responsible for doing all necessary testing for the customer's applications and products using NXP Semiconductors

products in order to avoid a default of the applications and the products or of the application or use by customer's third party customer(s). NXP does not accept any liability in this respect.

**Limiting values** — Stress above one or more limiting values (as defined in the Absolute Maximum Ratings System of IEC 60134) will cause permanent damage to the device. Limiting values are stress ratings only and (proper) operation of the device at these or any other conditions above those given in the Recommended operating conditions section (if present) or the Characteristics sections of this document is not warranted. Constant or repeated exposure to limiting values will permanently and irreversibly affect the quality and reliability of the device.

**Terms and conditions of commercial sale** — NXP Semiconductors products are sold subject to the general terms and conditions of commercial sale, as published at <http://www.nxp.com/profile/terms>, unless otherwise agreed in a valid written individual agreement. In case an individual agreement is concluded only the terms and conditions of the respective agreement shall apply. NXP Semiconductors hereby expressly objects to applying the customer's general terms and conditions with regard to the purchase of NXP Semiconductors products by customer.

**No offer to sell or license** — Nothing in this document may be interpreted or construed as an offer to sell products that is open for acceptance or the grant, conveyance or implication of any license under any copyrights, patents or other industrial or intellectual property rights.

**Export control** — This document as well as the item(s) described herein may be subject to export control regulations. Export might require a prior authorization from competent authorities.

**Non-automotive qualified products** — Unless this data sheet expressly states that this specific NXP Semiconductors product is automotive qualified, the product is not suitable for automotive use. It is neither qualified nor tested in accordance with automotive testing or application requirements. NXP Semiconductors accepts no liability for inclusion and/or use of non-automotive qualified products in automotive equipment or applications.

In the event that customer uses the product for design-in and use in automotive applications to automotive specifications and standards, customer (a) shall use the product without NXP Semiconductors' warranty of the product for such automotive applications, use and specifications, and (b) whenever customer uses the product for automotive applications beyond NXP Semiconductors' specifications such use shall be solely at customer's own risk, and (c) customer fully indemnifies NXP Semiconductors for any liability, damages or failed product claims resulting from customer design and use of the product for automotive applications beyond NXP Semiconductors' standard warranty and NXP Semiconductors' product specifications.

## 19.4 Trademarks

Notice: All referenced brands, product names, service names and trademarks are the property of their respective owners.

**I<sup>2</sup>C-bus** — logo is a trademark of NXP B.V.

## 20. Contact information

For more information, please visit: <http://www.nxp.com>

For sales office addresses, please send an email to: [salesaddresses@nxp.com](mailto:salesaddresses@nxp.com)

## 21. Contents

<b>1</b>	<b>General description</b> . . . . .	<b>1</b>	7.14.2.1	Features	74
<b>2</b>	<b>Features and benefits</b> . . . . .	<b>1</b>	7.14.3	SSP serial I/O controller	74
<b>3</b>	<b>Applications</b> . . . . .	<b>3</b>	7.14.3.1	Features	75
<b>4</b>	<b>Ordering information</b> . . . . .	<b>4</b>	7.14.4	I <sup>2</sup> C-bus interface	75
4.1	Ordering options	4	7.14.4.1	Features	75
<b>5</b>	<b>Block diagram</b> . . . . .	<b>5</b>	7.14.5	I <sup>2</sup> S interface	75
<b>6</b>	<b>Pinning information</b> . . . . .	<b>6</b>	7.14.5.1	Features	76
6.1	Pinning	6	7.14.6	C_CAN	76
6.2	Pin description	7	7.14.6.1	Features	76
<b>7</b>	<b>Functional description</b> . . . . .	<b>60</b>	7.15	Counter/timers and motor control	77
7.1	Architectural overview	60	7.15.1	General purpose 32-bit timers/external event counter	77
7.2	ARM Cortex-M3 processor	60	7.15.1.1	Features	77
7.3	System Tick timer (SysTick)	60	7.15.2	Motor control PWM	77
7.4	AHB multilayer matrix	61	7.15.3	Quadrature Encoder Interface (QEI)	77
7.5	Nested Vectored Interrupt Controller (NVIC)	61	7.15.3.1	Features	77
7.5.1	Features	61	7.15.4	Repetitive Interrupt (RI) timer	78
7.5.2	Interrupt sources	62	7.15.4.1	Features	78
7.6	Event router	62	7.15.5	Windowed WatchDog Timer (WWDT)	78
7.7	Global Input Multiplexer Array (GIMA)	62	7.15.5.1	Features	78
7.7.1	Features	62	7.16	Analog peripherals	79
7.8	On-chip static RAM	62	7.16.1	Analog-to-Digital Converter	79
7.8.1	ISP (In-System Programming) mode	63	7.16.1.1	Features	79
7.9	Boot ROM	63	7.16.2	Digital-to-Analog Converter (DAC)	79
7.10	Memory mapping	65	7.16.2.1	Features	79
7.11	One-Time Programmable (OTP) memory	67	7.17	Peripherals in the RTC power domain	79
7.12	General-Purpose I/O (GPIO)	67	7.17.1	RTC	79
7.12.1	Features	67	7.17.1.1	Features	79
7.13	AHB peripherals	67	7.17.2	Alarm timer	80
7.13.1	AES decryption/encryption	67	7.18	System control	80
7.13.1.1	Features	67	7.18.1	Configuration registers (CREG)	80
7.13.2	State Configurable Timer (SCTimer/PWM) subsystem	68	7.18.2	System Control Unit (SCU)	80
7.13.2.1	Features	68	7.18.3	Clock Generation Unit (CGU)	80
7.13.3	General-purpose DMA	69	7.18.4	Internal RC oscillator (IRC)	81
7.13.3.1	Features	69	7.18.5	PLL0USB (for USB0)	81
7.13.4	SPI Flash Interface (SPIFI)	70	7.18.6	PLL0AUDIO (for audio)	81
7.13.4.1	Features	70	7.18.7	System PLL1	81
7.13.5	SD/MMC card interface	70	7.18.8	Reset Generation Unit (RGU)	81
7.13.6	External Memory Controller (EMC)	70	7.18.9	Power control	82
7.13.6.1	Features	71	7.19	Emulation and debugging	83
7.13.7	High-speed USB Host/Device/OTG interface (USB0)	71	<b>8</b>	<b>Limiting values</b>	<b>84</b>
7.13.7.1	Features	71	<b>9</b>	<b>Thermal characteristics</b>	<b>85</b>
7.13.8	High-speed USB Host/Device interface with ULPI (USB1)	72	<b>10</b>	<b>Static characteristics</b>	<b>86</b>
7.13.8.1	Features	72	10.1	Power consumption	93
7.13.9	LCD controller	72	10.2	Peripheral power consumption	97
7.13.9.1	Features	72	10.3	BOD characteristics	99
7.13.10	Ethernet	73	10.4	Electrical pin characteristics	100
7.13.10.1	Features	73	<b>11</b>	<b>Dynamic characteristics</b>	<b>104</b>
7.14	Digital serial peripherals	73	11.1	Wake-up times	104
7.14.1	UART	73	11.2	External clock for oscillator in slave mode	104
7.14.1.1	Features	74	11.3	Crystal oscillator	105
7.14.2	USART	74	11.4	IRC oscillator	105
			11.5	RTC oscillator	105
			11.6	GPCLKIN	106
			11.7	I/O pins	106

11.8	I <sup>2</sup> C-bus . . . . .	107
11.9	I <sup>2</sup> S-bus interface . . . . .	108
11.10	USART interface . . . . .	110
11.11	SSP interface . . . . .	111
11.12	External memory interface . . . . .	116
11.13	USB interface . . . . .	121
11.14	Ethernet . . . . .	122
11.15	SD/MMC . . . . .	124
11.16	LCD . . . . .	124
11.17	SPIFI . . . . .	125
<b>12</b>	<b>ADC/DAC electrical characteristics . . . . .</b>	<b>126</b>
<b>13</b>	<b>Application information . . . . .</b>	<b>129</b>
13.1	LCD panel signal usage . . . . .	129
13.2	Crystal oscillator . . . . .	131
13.3	RTC oscillator . . . . .	133
13.4	XTAL and RTCX Printed Circuit Board (PCB) layout guidelines . . . . .	133
13.5	Standard I/O pin configuration . . . . .	133
13.6	Reset pin configuration . . . . .	134
13.7	Suggested USB interface solutions . . . . .	134
<b>14</b>	<b>Package outline . . . . .</b>	<b>137</b>
<b>15</b>	<b>Soldering . . . . .</b>	<b>141</b>
<b>16</b>	<b>Abbreviations . . . . .</b>	<b>145</b>
<b>17</b>	<b>References . . . . .</b>	<b>146</b>
<b>18</b>	<b>Revision history . . . . .</b>	<b>147</b>
<b>19</b>	<b>Legal information . . . . .</b>	<b>148</b>
19.1	Data sheet status . . . . .	148
19.2	Definitions . . . . .	148
19.3	Disclaimers . . . . .	148
19.4	Trademarks . . . . .	149
<b>20</b>	<b>Contact information . . . . .</b>	<b>149</b>
<b>21</b>	<b>Contents . . . . .</b>	<b>150</b>

continued >>

---

Please be aware that important notices concerning this document and the product(s) described herein, have been included in section 'Legal information'.

---

© NXP Semiconductors B.V. 2020.

All rights reserved.

For more information, please visit: <http://www.nxp.com>



For sales office addresses, please send an email to: [salesaddresses@nxp.com](mailto:salesaddresses@nxp.com)

Date of release: 10 January 2020




Document identifier: LPC18S50\_S30\_S10

## Looking for pricing, stock, or lifecycle information?

Click below to explore more details on WIN SOURCE:

-  [View LPC18S50FET180E on WIN SOURCE](#)
-  [NXP / Nexperia Information](#)

## Optimize Your Supply Chain with WIN SOURCE Solutions

-  Global Sourcing Solution
-  Obsolete Management
-  Cost Control Management
-  Shortage Management
-  Alternative Solution
-  Excess Inventory Management