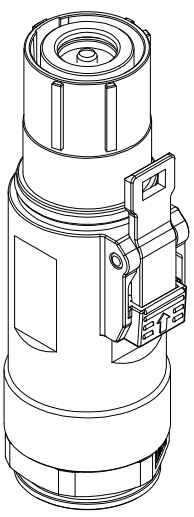




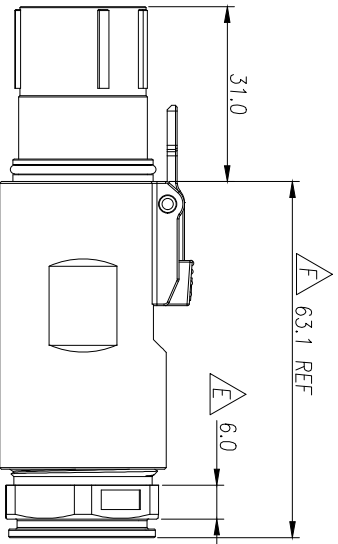
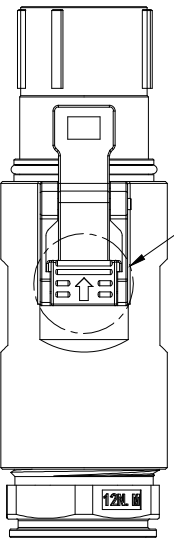
**THE DATASHEET OF  
PL18V-301-50**



REVISIONS						
REV	ZONE	ECO	DESCRIPTION	DATE	BY	APPR
A	---	---	Add P/N List	06/20/14	RW	EC
E	---	---	Rear nut increase 1mm;reduced inner diameter	09/08/15	RW	GX
F	---	---	Change back shell	09/29/16	RW	TS
G	---	---	Add rating current	08/23/18	Fred	JL



按键颜色见“订购信息”  
The color of press key see “Ordering Information”



P/N	Model NO.	Accepted Wire OD
AC-HA000815	PL18X-301-35	14.5±0.5
AC-HA000816	PL18Y-301-35	
AC-HA000817	PL18U-301-35	
AC-HA000818	PL18V-301-35	
AC-HA000819	PL18W-301-35	
AC-HA001283	PL18T-301-35	17.0±0.5
AC-HA000820	PL18W-301-50	
AC-HA000821	PL18Y-301-50	
AC-HA000822	PL18U-301-50	
AC-HA000823	PL18V-301-50	
AC-HA000824	PL18W-301-50	19.5±0.5
AC-HA001284	PL18T-301-50	
AC-HA000825	PL18X-301-70	
AC-HA000826	PL18Y-301-70	
AC-HA000827	PL18U-301-70	
AC-HA000828	PL18V-301-70	19.5±0.5
AC-HA000829	PL18W-301-70	
AC-HA001285	PL18T-301-70	

P/N	Model NO.	Accepted Wire OD
AC-HA000830	PL18X-300-35	14.5±0.5
AC-HA000831	PL18Y-300-35	
AC-HA000832	PL18U-300-35	
AC-HA000833	PL18V-300-35	
AC-HA000834	PL18W-300-35	
AC-HA000835	PL18T-300-35	17.0±0.5
AC-HA000836	PL18X-300-50	
AC-HA000837	PL18Y-300-50	
AC-HA000838	PL18U-300-50	
AC-HA000839	PL18V-300-50	
AC-HA001287	PL18T-300-50	19.5±0.5
AC-HA000840	PL18X-300-70	
AC-HA000841	PL18Y-300-70	
AC-HA000842	PL18U-300-70	
AC-HA000843	PL18V-300-70	
AC-HA000844	PL18W-300-70	19.5±0.5
AC-HA001288	PL18T-300-70	

防触摸塑料盖  
Touch Proof Pin

Cable Size

mm<sup>2</sup>  
mm<sup>2</sup>  
mm<sup>2</sup>

**AMPHENOL**  
**Amphenol Technical Products International GZ**

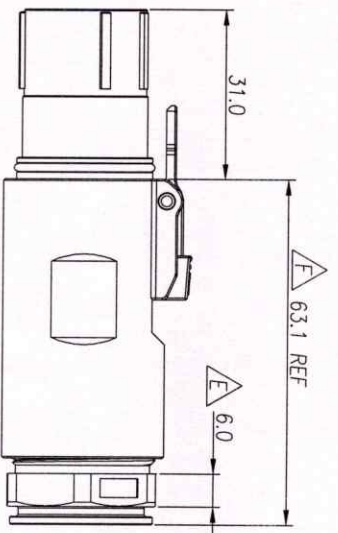
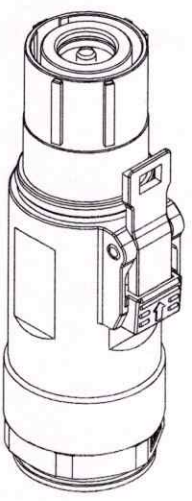
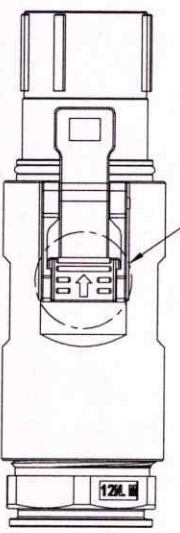
签名 SIGNATURE	日期 DATE	第三角投影 THIRD ANGLE PROJECTION	页面 SHEET	幅面 SIZE	版次 REV.	比例 SCALE	PART NAME
Fred	08/23/18	1 of 1	A3	G			PowerLok 10mm IPDS Plug Assy

制图 DRAWN	审核 CHECKED	批准 APPROVAL	UNLESS OTHERWISE SPECIFIED 1) All dimensions are in metric(mm). 2) Tolerances are as follows: 0 PL DEC ±1.00 1 PL DEC ±0.50 2 PL DEC ±0.20	DWG NOS	CUST PART #:	CUST REV.
			Angles ±1°	PL18-300	N/A	-

3 4 5 6 7 8

REV ZONE	ECO	DESCRIPTION	DATE	BY	APPR
A	--	ECO			
E	--	Add P/N List	06/20/14	RW	EC
F	--	Rear nut increase 1mm, reduced inner diameter	09/08/15	RW	GX
G	--	Change back shell	09/29/16	RW	TS
		Add rating current	08/23/18	Fred	JL

按键颜色见“订购信息”  
The color of press key see “Ordering Information”



P/N	Model NO.	Accepted Wire OD
AC-HA000815	PL18X-301-35	
AC-HA000816	PL18Y-301-35	
AC-HA000817	PL18U-301-35	
AC-HA000818	PL18V-301-35	14.5±0.5
AC-HA000819	PL18W-301-35	
AC-HA001283	PL18T-301-35	
AC-HA000820	PL18X-301-50	
AC-HA000821	PL18Y-301-50	
AC-HA000822	PL18U-301-50	
AC-HA000823	PL18V-301-50	17.0±0.5
AC-HA000824	PL18W-301-50	
AC-HA001284	PL18T-301-50	
AC-HA000825	PL18X-301-70	
AC-HA000826	PL18Y-301-70	
AC-HA000827	PL18U-301-70	
AC-HA000828	PL18V-301-70	19.5±0.5
AC-HA000829	PL18W-301-70	
AC-HA001285	PL18T-301-70	

P/N	Model NO.	Accepted Wire OD
AC-HA000830	PL18X-300-35	
AC-HA000831	PL18Y-300-35	
AC-HA000832	PL18U-300-35	
AC-HA000833	PL18V-300-35	14.5±0.5
AC-HA000834	PL18W-300-35	
AC-HA001286	PL18T-300-35	
AC-HA000835	PL18X-300-50	
AC-HA000836	PL18Y-300-50	
AC-HA000837	PL18U-300-50	
AC-HA000838	PL18V-300-50	17.0±0.5
AC-HA000839	PL18W-300-50	
AC-HA001287	PL18T-300-50	
AC-HA000840	PL18X-300-70	
AC-HA000841	PL18Y-300-70	
AC-HA000842	PL18U-300-70	
AC-HA000843	PL18V-300-70	19.5±0.5
AC-HA000844	PL18W-300-70	
AC-HA001288	PL18T-300-70	

防触摸塑料盖  
Touch Proof Pin

70mm<sup>2</sup>  
50mm<sup>2</sup>  
35mm<sup>2</sup>  
小 Cable Size

REGISTERED COPY  
42-80-8102  
Amphenol IDL

**AMPHENOL**  
**Amphenol Technical Products International GZ**

第三角投影  
THIRD ANGLE  
PROJECTION

日期 DATE: 08/23/18  
审核 CHECKED: *Stephen*  
批准 APPROVED: *Stephen*

签名 SIGNATURE: Fred

图 DRAWN: Fred

页次 REV: 1 or 1  
幅面 SIZE: A3  
比例 SCALE: G

零件名称: PowerLok 10mm IPDS Plug Assy  
零件号: PL18-300

公差: DIMS NO. 1) All dimensions are in metric (mm). 2) Tolerances are as follows: 0 PL DEC ±1.00 1 PL DEC ±0.50 2 PL DEC ±0.20



角度: Angles ±1°

零件号: PART # N/A

零件号: PART #

## Looking for pricing, stock, or lifecycle information?

Click below to explore more details on WIN SOURCE:

-  [View PL18V-301-50 on WIN SOURCE](#)
-  [Amphenol Information](#)

## Optimize Your Supply Chain with WIN SOURCE Solutions

-  Global Sourcing Solution
-  Obsolete Management
-  Cost Control Management
-  Shortage Management
-  Alternative Solution
-  Excess Inventory Management