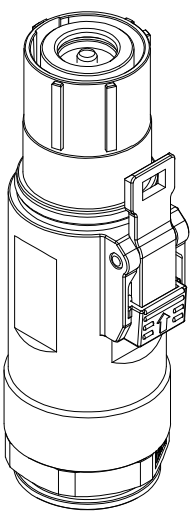




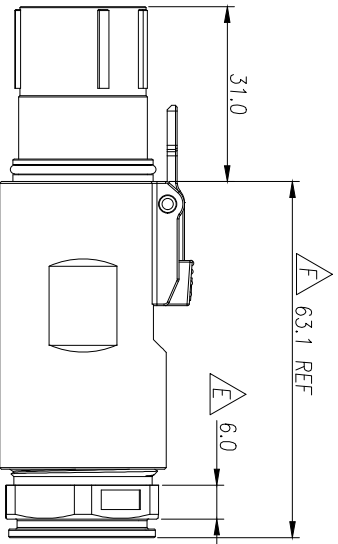
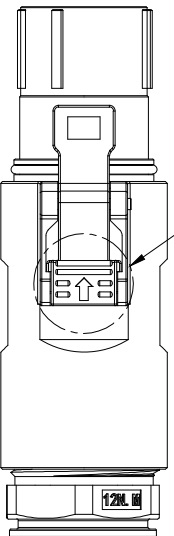
**THE DATASHEET OF  
PL18U-301-50**



REVISIONS						
REV	ZONE	ECO	DESCRIPTION	DATE	BY	APPR
A	---	---	Add P/N List	06/20/14	RW	EC
E	---	---	Rear nut increase 1mm;reduced inner diameter	09/08/15	RW	GX
F	---	---	Change back shell	09/29/16	RW	TS
G	---	---	Add rating current	08/23/18	Fred	JL



按键颜色见“订购信息”  
The color of press key see “Ordering Information”



P/N	Model NO.	Accepted Wire OD
AC-HA000815	PL18X-301-35	14.5±0.5
AC-HA000816	PL18Y-301-35	
AC-HA000817	PL18U-301-35	
AC-HA000818	PL18V-301-35	
AC-HA000819	PL18W-301-35	
AC-HA001283	PL18T-301-35	17.0±0.5
AC-HA000820	PL18W-301-50	
AC-HA000821	PL18Y-301-50	
AC-HA000822	PL18U-301-50	
AC-HA000823	PL18V-301-50	
AC-HA000824	PL18W-301-50	19.5±0.5
AC-HA001284	PL18T-301-50	
AC-HA000825	PL18X-301-70	
AC-HA000826	PL18Y-301-70	
AC-HA000827	PL18U-301-70	
AC-HA000828	PL18V-301-70	19.5±0.5
AC-HA000829	PL18W-301-70	
AC-HA001285	PL18T-301-70	

P/N	Model NO.	Accepted Wire OD
AC-HA000830	PL18X-300-35	14.5±0.5
AC-HA000831	PL18Y-300-35	
AC-HA000832	PL18U-300-35	
AC-HA000833	PL18V-300-35	
AC-HA000834	PL18W-300-35	
AC-HA001286	PL18T-300-35	17.0±0.5
AC-HA000835	PL18X-300-50	
AC-HA000836	PL18Y-300-50	
AC-HA000837	PL18U-300-50	
AC-HA000838	PL18V-300-50	
AC-HA000839	PL18W-300-50	19.5±0.5
AC-HA001287	PL18T-300-50	
AC-HA000840	PL18X-300-70	
AC-HA000841	PL18Y-300-70	
AC-HA000842	PL18U-300-70	
AC-HA000843	PL18V-300-70	19.5±0.5
AC-HA000844	PL18W-300-70	
AC-HA001288	PL18T-300-70	

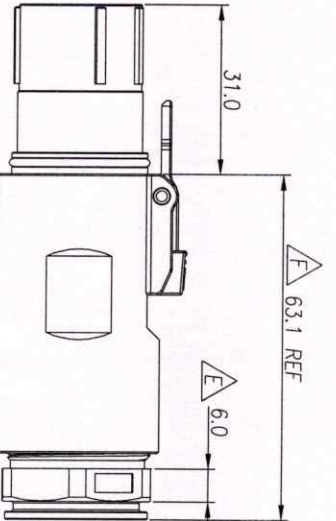
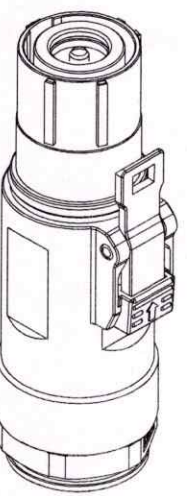
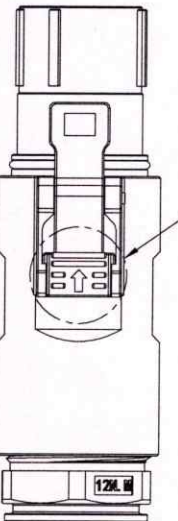
防触摸塑料盖  
Touch Proof Pin

		<b>Amphenol Technical Products International GZ</b>		第三角投影 THIRD ANGLE PROJECTION		页面 SHEET		幅面 SIZE		版次 REV.		比例 SCALE		PART NAME PowerLok 10mm IPQS Plug Assy	
				日期 DATE 08/23/18		1 or 1		A3		G		DWG NOS PL18-300		CUST PART #: N/A	
签名 SIGNATURE Fred		审核 CHECKED 批 准 APPROVAL		1) All dimensions are in metric(mm). 2) Tolerances are as follows: 0 PL DEC ±1.00 1 PL DEC ±0.50 2 PL DEC ±0.20		UNLESS OTHERWISE SPECIFIED		Angles ±1°		CUST PART #: N/A		CUST REV. -			

3 4 5 6 7 8

REV ZONE	ECO	DESCRIPTION	DATE	BY	APPR
A	--	Add P/N List	06/20/14	RW	EC
E	--	Rear nut increase 1mm, reduced inner diameter	09/08/15	RW	GX
F	--	Change back shell	09/29/16	RW	TS
G	--	Add rating current	08/23/18	Fred	JL

按键颜色见“订购信息”  
The color of press key see “Ordering Information”



P/N	Model NO.	Accepted Wire OD
AC-HA000815	PL18X-301-35	
AC-HA000816	PL18Y-301-35	
AC-HA000817	PL18U-301-35	
AC-HA000818	PL18V-301-35	14.5±0.5
AC-HA000819	PL18W-301-35	
AC-HA001283	PL18T-301-35	
AC-HA000820	PL18X-301-50	
AC-HA000821	PL18Y-301-50	
AC-HA000822	PL18U-301-50	17.0±0.5
AC-HA000823	PL18V-301-50	
AC-HA000824	PL18W-301-50	
AC-HA001284	PL18T-301-50	
AC-HA000825	PL18X-301-70	
AC-HA000826	PL18Y-301-70	
AC-HA000827	PL18U-301-70	19.5±0.5
AC-HA000828	PL18V-301-70	
AC-HA000829	PL18W-301-70	
AC-HA001285	PL18T-301-70	

P/N	Model NO.	Accepted Wire OD
AC-HA000830	PL18X-300-35	
AC-HA000831	PL18Y-300-35	
AC-HA000832	PL18U-300-35	
AC-HA000833	PL18V-300-35	14.5±0.5
AC-HA000834	PL18W-300-35	
AC-HA001286	PL18T-300-35	
AC-HA000835	PL18X-300-50	
AC-HA000836	PL18Y-300-50	
AC-HA000837	PL18U-300-50	17.0±0.5
AC-HA000838	PL18V-300-50	
AC-HA000839	PL18W-300-50	
AC-HA001287	PL18T-300-50	
AC-HA000840	PL18X-300-70	
AC-HA000841	PL18Y-300-70	
AC-HA000842	PL18U-300-70	19.5±0.5
AC-HA000843	PL18V-300-70	
AC-HA000844	PL18W-300-70	
AC-HA001288	PL18T-300-70	

**REGISTERED COPY**  
**42-80-8102**  
**Amphenol IDL**





**Amphenol Technical Products International GZ**

签名 SIGNATURE	日期 DATE	第三角投影 THIRD ANGLE PROJECTION	页眉 SHEET	幅面 SIZE	版次 REV.	比例 SCALE	零件名称 PART NAME
Fred	08/23/18	1 or 1	A3	G			PowerLok 10mm IPDS Plug Assy
制图 DRAWN	日期 DATE	第三角投影 THIRD ANGLE PROJECTION	页眉 SHEET	幅面 SIZE	版次 REV.	比例 SCALE	零件名称 PART NAME
Steph	8-23	1 or 1	A3	G			PowerLok 10mm IPDS Plug Assy
审核 CHECKED	日期 DATE	第三角投影 THIRD ANGLE PROJECTION	页眉 SHEET	幅面 SIZE	版次 REV.	比例 SCALE	零件名称 PART NAME
Steph	8-23	1 or 1	A3	G			PowerLok 10mm IPDS Plug Assy
批准 APPROVED	日期 DATE	第三角投影 THIRD ANGLE PROJECTION	页眉 SHEET	幅面 SIZE	版次 REV.	比例 SCALE	零件名称 PART NAME
Steph	8-23	1 or 1	A3	G			PowerLok 10mm IPDS Plug Assy

UNLESS OTHERWISE SPECIFIED  
 1) All dimensions are in metric(mm).  
 2) Tolerances are as follows:  
 0 Pl. DEC ±1.00  
 1 Pl. DEC ±0.50  
 2 Pl. DEC ±0.20  
 Angles ±1°

## Looking for pricing, stock, or lifecycle information?

Click below to explore more details on WIN SOURCE:

-  [View PL18U-301-50 on WIN SOURCE](#)
-  [Amphenol Information](#)

## Optimize Your Supply Chain with WIN SOURCE Solutions

-  Global Sourcing Solution
-  Obsolete Management
-  Cost Control Management
-  Shortage Management
-  Alternative Solution
-  Excess Inventory Management