



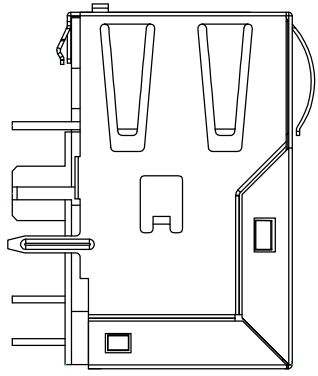
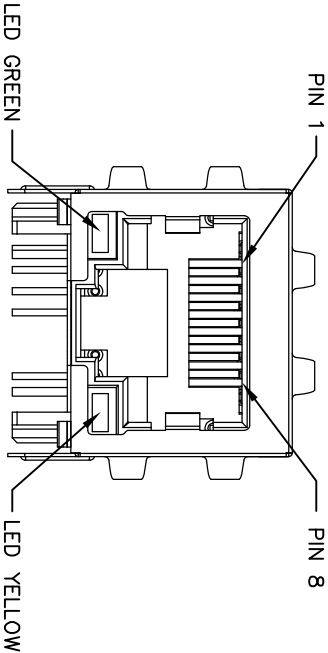
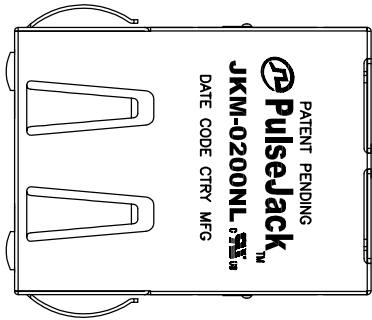
**THE DATASHEET OF
JKM-0200NL**



TIC MATERIAL WITH FLAMMABILITY
 ICHES GOLD PLATING.
 SPHOR BRONZE
 MICROINCHES DUCTILE NICKEL.
 00 MICROINCHES 100% TIN, MATTE FINISH.
 ON COPPER ALLOY.
 C RULES AND REGULATIONS

TO +125°C

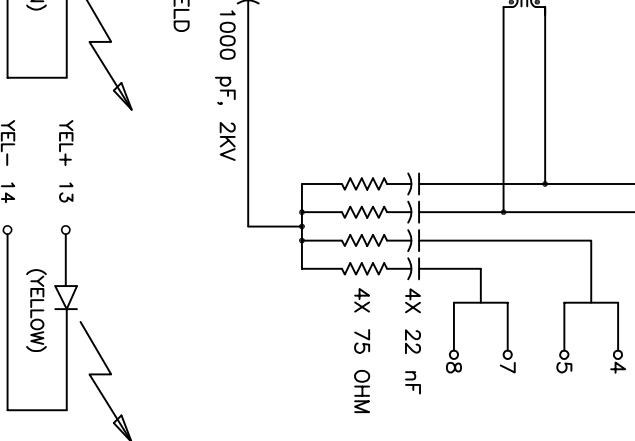
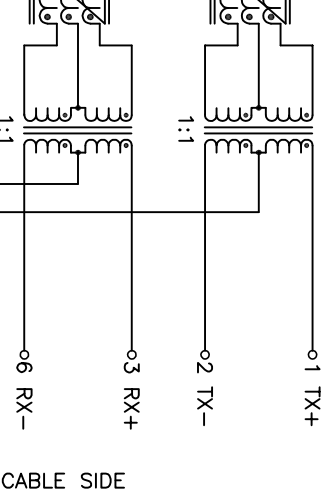
ITY AT 245°C DIP AND LOOK TEST
 O MOISTURE SENSITIVE
 MAXIMUM THROUGH WAVE SOLDER



FINAL OUTLINE

electronics Corp. All rights reserved. Pulse confidential & proprietary. (12/11/15)

TLA DRAWING	PS DRAWING	SHEET	PART NO.	DATASHEET REV.
JKM-0200NL-10	PS-2582.008-A	1 OF 5	JKM-0200NL	A



SCHEMATIC

ELECTRICAL CHARACTERISTICS AT +25°C UNLESS OTHERWISE SPECIFIED
(FOR REFERENCE ONLY. USED FOR CUSTOMER INFORMATION.)

PARAMETER	SPECIFICATIONS		
	OPERATING TEMP	0°C TO +70°C	
TURNS RATIO	1.00 ± 2%		
POLARITY	PER SCHEMATIC		
INSERTION LOSS	100 KHz	1-125 MHz	
	-1.2 DB MAX	-0.2-0.002*f ^{1.4} DB MAX	
RETURN LOSS (Z OUT = 100 OHM±15%)	.1-30 MHz	30-60 MHz	60-80 MHz
	-16 DB MIN	-10+20*LOG ₁₀ (f/60 MHz) DB MIN	-10 DB MIN
INDUCTANCE (OCL) (MEDIA SIDE, 0°C TO +70°C)	350 uH MIN	(MEASURED AT 100 KHz, 100 mV _{RMS}) (AND WITH 24 mA DC BIAS)	
	1 MHz	10-100 MHz	
CROSSTALK, ADJACENT CHANNELS	-50 DB MIN	-55+22*LOG ₁₀ (f/10) DB MIN	
	2 MHz	30-200 MHz	
COMMON MODE REJECTION RATIO	-50 DB MIN	-15+20*LOG ₁₀ (f/200) DB MIN	
DC RESISTANCE 1/2 WINDING	.65 OHMS MAX		
DC RESISTANCE IMBALANCE	±.065 OHMS MAX (CENTER TAP SYMMETRY)		
DC CURRENT/VOLTAGE RATING - PSE PINS	750 mA @ 57V (CONTINUOUS)		
INPUT - OUTPUT ISOLATION	2250 VDC MIN @ 60 SECONDS		

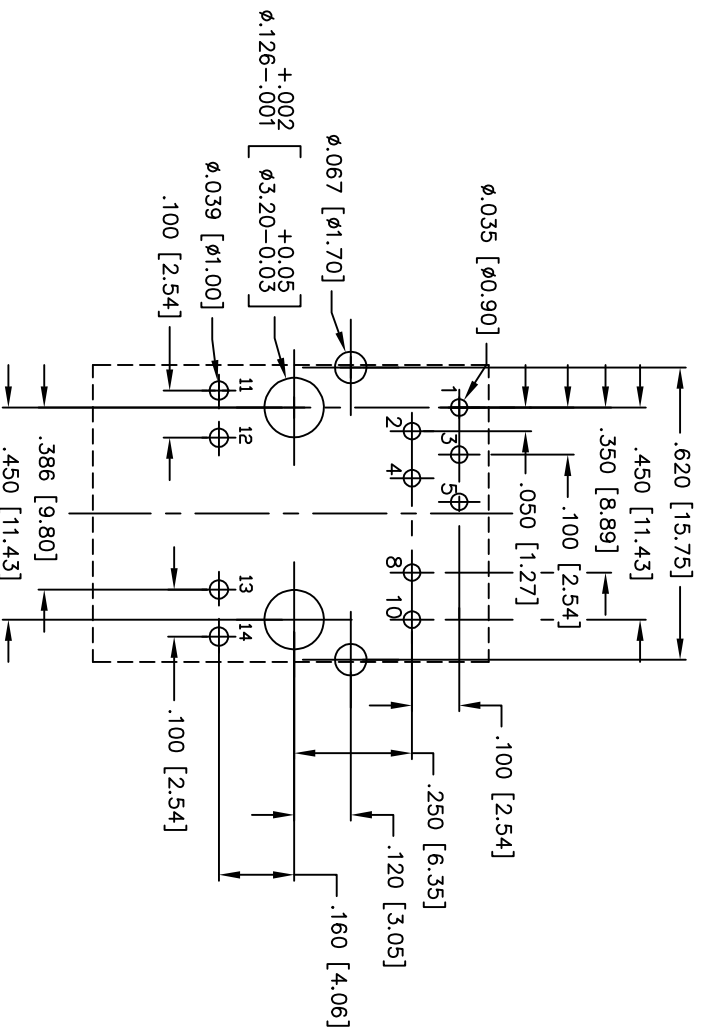
NOTE: f IS FREQUENCY IN MHZ.

EMITTED COLOR	GREEN	YELLOW
WAVELENGTH (nm)	570 nm	586 nm
BRIGHTNESS (mcd)	6 TYP. @ 20mA	8 TO 12 TYP. @ 20mA
VIEWING ANGLE	120°	120°
POWER DISSIPATION (Pd)	85 mW MAX	85 mW MAX
DC FORWARD CURRENT	120 mA MAX	80 mA MAX
REVERSE VOLTAGE (V _r)	5.0 V MAX	5.0 V MAX
FORWARD VOLTAGE (V _f)	2.8 V MAX	2.8 V MAX

NOTE: PER VENDOR'S SPECIFICATIONS

electronics Corp. All rights reserved. Pulse confidential & proprietary. (12/11/15)

TLA DRAWING	PS DRAWING	SHEET	PART NO.	DATASHEET REV.
JKM-0200NL-10	PS-2582.008-A	2 OF 5	JKM-0200NL	A

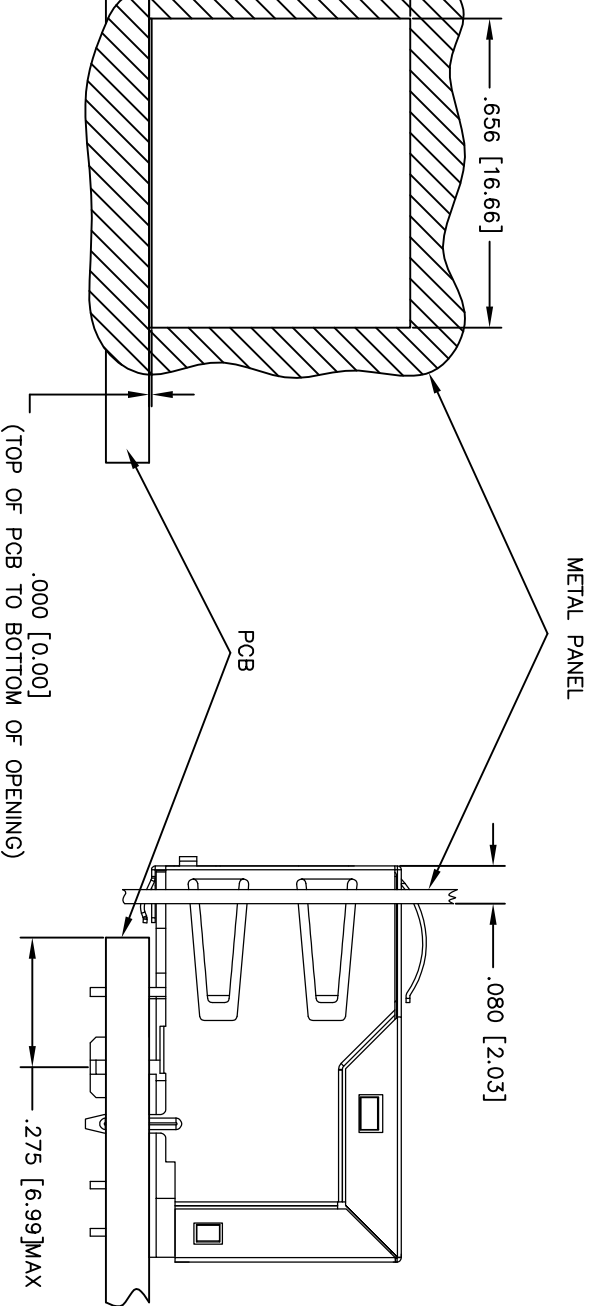


SUGGESTED FOOTPRINT (COMPONENT SIDE SHOWN)
DIMENSIONAL TOLERANCE: (UNLESS OTHERWISE SPECIFIED)

ALL DIMENSIONS IN MILLIMETERS] WITH THE FOLLOWING
DIMENSIONS ARE FOR REFERENCE ONLY.

Pulse Electronics Corp. All rights reserved. Pulse confidential & proprietary. (12/11/15)

TLA DRAWING	PS DRAWING	SHEET	PART NO.	DATASHEET REV.
JKM-0200NL-10	PS-2582.008-A	4 OF 5	JKM-0200NL	A



SUGGESTED PANEL CUTOUT

[DIMENSIONS] WITH THE FOLLOWING
TOLERANCES ARE FOR REFERENCE ONLY.

Pulse Electronics Corp. All rights reserved. Pulse confidential & proprietary. (12/11/15)

TLA DRAWING	PS DRAWING	SHEET	PART NO.	DATASHEET REV.
JKM-0200NL-10	PS-2582.008-A	5 OF 5	JKM-0200NL	A

Looking for pricing, stock, or lifecycle information?

Click below to explore more details on WIN SOURCE:

 [View JKM-0200NL on WIN SOURCE](#)

 [Pulse Information](#)

Optimize Your Supply Chain with WIN SOURCE Solutions

-  Global Sourcing Solution
-  Obsolete Management
-  Cost Control Management
-  Shortage Management
-  Alternative Solution
-  Excess Inventory Management