



**THE DATASHEET OF
CS223-2M TR**



NOT RECOMMENDED
FOR NEW DESIGN

CS223-2M
SURFACE MOUNT
SILICON CONTROLLED RECTIFIER
2.0 AMP, 600 VOLT

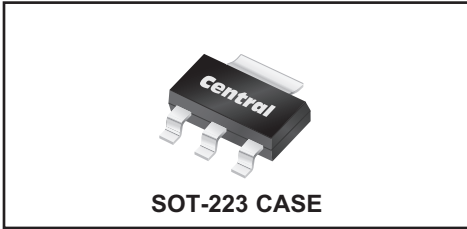


www.centralemi.com

DESCRIPTION:

The CENTRAL SEMICONDUCTOR CS223-2M is an epoxy molded SCR designed for sensing circuit applications and control systems.

**NOT RECOMMENDED FOR NEW DESIGN-
USE CS223-4M**



SOT-223 CASE

MARKING: FULL PART NUMBER

MAXIMUM RATINGS: ($T_C=25^\circ\text{C}$ unless otherwise noted)

	SYMBOL		UNITS
Peak Repetitive Off-State Voltage	V_{DRM}, V_{RRM}	600	V
RMS On-State Current ($T_C=60^\circ\text{C}$)	$I_T(\text{RMS})$	2.0	A
Peak One Cycle Surge, $t=10\text{ms}$	I_{TSM}	10	A
I^2t Value for Fusing, $t=10\text{ms}$	I^2t	0.5	A^2s
Peak Gate Power, $t_p=10\mu\text{s}$	P_{GM}	2.0	W
Average Gate Power Dissipation	$P_{G(AV)}$	0.1	W
Peak Gate Current, $t_p=10\mu\text{s}$	I_{GM}	1.0	A
Peak Gate Voltage, $t_p=10\mu\text{s}$	V_{GM}	8.0	V
Operating Junction Temperature	T_J	-50 to +125	$^\circ\text{C}$
Storage Temperature	T_{stg}	-50 to +150	$^\circ\text{C}$
Thermal Resistance	θ_{JA}	62.5	$^\circ\text{C/W}$

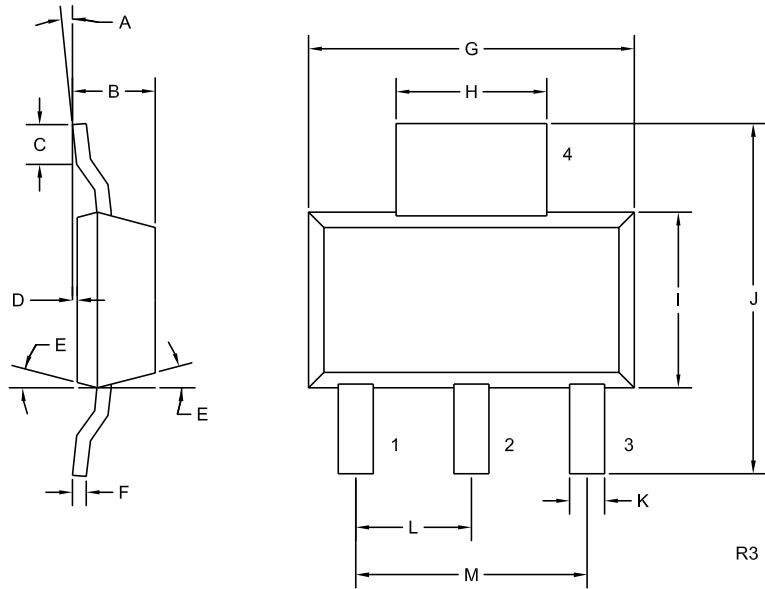
ELECTRICAL CHARACTERISTICS: ($T_C=25^\circ\text{C}$ unless otherwise noted)

SYMBOL	TEST CONDITIONS	MIN	TYP	MAX	UNITS
I_{DRM}, I_{RRM}	$V_{DRM}, V_{RRM}=600\text{V}, R_{GK}=1.0\text{K}\Omega$			10	μA
I_{DRM}, I_{RRM}	$V_{DRM}, V_{RRM}=600\text{V}, R_{GK}=1.0\text{K}\Omega, T_C=125^\circ\text{C}$			100	μA
I_{GT}	$V_D=12\text{V}, R_L=10\Omega$		38	200	μA
I_H	$I_T=50\text{mA}, R_{GK}=1.0\text{K}\Omega$		1.0	2.0	mA
V_{GT}	$V_D=12\text{V}, R_L=10\Omega$		0.55	0.8	V
V_{TM}	$I_{TM}=4.0\text{A}, t_p=380\mu\text{s}$		1.4	1.7	V
dv/dt	$V_D=400\text{V}, R_{GK}=1.0\text{K}\Omega, T_C=125^\circ\text{C}$	10			$\text{V}/\mu\text{s}$

CS223-2M
SURFACE MOUNT
SILICON CONTROLLED RECTIFIER
2.0 AMP, 600 VOLT



SOT-223 CASE - MECHANICAL OUTLINE



LEAD CODE:

- 1) Cathode
- 2) Anode
- 3) Gate
- 4) Anode

MARKING:
FULL PART NUMBER

DIMENSIONS				
SYMBOL	INCHES		MILLIMETERS	
	MIN	MAX	MIN	MAX
A	0°	10°	0°	10°
B	0.059	0.071	1.50	1.80
C	0.018	—	0.45	—
D	0.000	0.004	0.00	0.10
E	15°		15°	
F	0.009	0.014	0.23	0.35
G	0.248	0.264	6.30	6.70
H	0.114	0.122	2.90	3.10
I	0.130	0.146	3.30	3.70
J	0.264	0.287	6.70	7.30
K	0.024	0.033	0.60	0.85
L	0.091		2.30	
M	0.181		4.60	

SOT-223 (REV: R3)

R4 (6-January 2016)

OUTSTANDING SUPPORT AND SUPERIOR SERVICES



PRODUCT SUPPORT

Central's operations team provides the highest level of support to insure product is delivered on-time.

- Supply management (Customer portals)
- Inventory bonding
- Consolidated shipping options
- Custom bar coding for shipments
- Custom product packing

DESIGNER SUPPORT/SERVICES

Central's applications engineering team is ready to discuss your design challenges. Just ask.

- Free quick ship samples (2nd day air)
- Online technical data and parametric search
- SPICE models
- Custom electrical curves
- Environmental regulation compliance
- Customer specific screening
- Up-screening capabilities
- Special wafer diffusions
- PbSn plating options
- Package details
- Application notes
- Application and design sample kits
- Custom product and package development

CONTACT US

Corporate Headquarters & Customer Support Team

Central Semiconductor Corp.
145 Adams Avenue
Hauppauge, NY 11788 USA
Main Tel: (631) 435-1110
Main Fax: (631) 435-1824
Support Team Fax: (631) 435-3388
www.centalsemi.com

Worldwide Field Representatives:
www.centalsemi.com/wwreps

Worldwide Distributors:
www.centalsemi.com/wwdistributors

For the latest version of Central Semiconductor's **LIMITATIONS AND DAMAGES DISCLAIMER**, which is part of Central's Standard Terms and Conditions of sale, visit: www.centalsemi.com/terms



<http://www.centrasemi.com>

Product End of Life Notification

PDN ID:	PDN01068
Notification Date:	10/23/17
Last Buy Date:	4/23/18
Last Shipment Date	10/23/18

Summary: The CS223-2M silicon controlled rectifier is discontinued and is now classified as End of Life (EOL).

Although Central Semiconductor Corp. makes every effort to continue to produce devices that have been proclaimed EOL (End of Life) by various manufacturers, it is an accepted industry practice to discontinue certain devices when customer demand falls below a minimum level of sustainability. Accordingly, the following product(s) have been transitioned to End of Life status as part of Central's Product Management Process. Any replacement product will be noted below. The effective date for placing the last purchase order will be six(6) months from the date of this notice and twelve(12) months from the notice date for final shipments; this may be extended if inventory is available.

<u>Central Part Number</u>	<u>Replacement</u>
CS223-2M TR	CS223-4M TR H

Central would be happy to assist you by providing additional information or technical data to help locate an alternate source if we have no replacement available. Please email your requests to engineering@centrasemi.com.

DISCLAIMER: This End of Life (EOL) notification is in accordance with JEDEC standard JESD48 - Product Discontinuance. Central Semiconductor Corp. will make every effort to offer life-time buy (LTB) opportunities and/or offer replacement devices to existing customers for discontinued devices, however, one or both may not be possible for all devices. Please contact your local Central Semiconductor sales representative for LTB opportunities/additional information.

Looking for pricing, stock, or lifecycle information?

Click below to explore more details on WIN SOURCE:

- [⊖ View CS223-2M TR on WIN SOURCE](#)
- [⊖ Central Semiconductor Corp Information](#)

Optimize Your Supply Chain with WIN SOURCE Solutions

- ✓ Global Sourcing Solution
- ✓ Obsolete Management
- ✓ Cost Control Management
- ✓ Shortage Management
- ✓ Alternative Solution
- ✓ Excess Inventory Management