



**THE DATASHEET OF
R1RW0416DSB-2PR#D1**



R1RW0416D Series

R10DS0282EJ0100

Rev.1.00

Nov.18.19

4M High Speed SRAM (256-kword × 16-bit)

Description

The R1RW0416D is a 4-Mbit high speed static RAM organized 256-kword × 16-bit. It has realized high speed access time by employing CMOS process (6-transistor memory cell) and high speed circuit designing technology. It is most appropriate for the application which requires high speed, high density memory and wide bit width configuration, such as cache and buffer memory in system. Especially, L-Version and S-Version are low power consumption and it is the best for the battery backup system. The package prepares 400-mil 44-pin SOJ and 400-mil 44-pin plastic TSOPII for high density surface mounting.

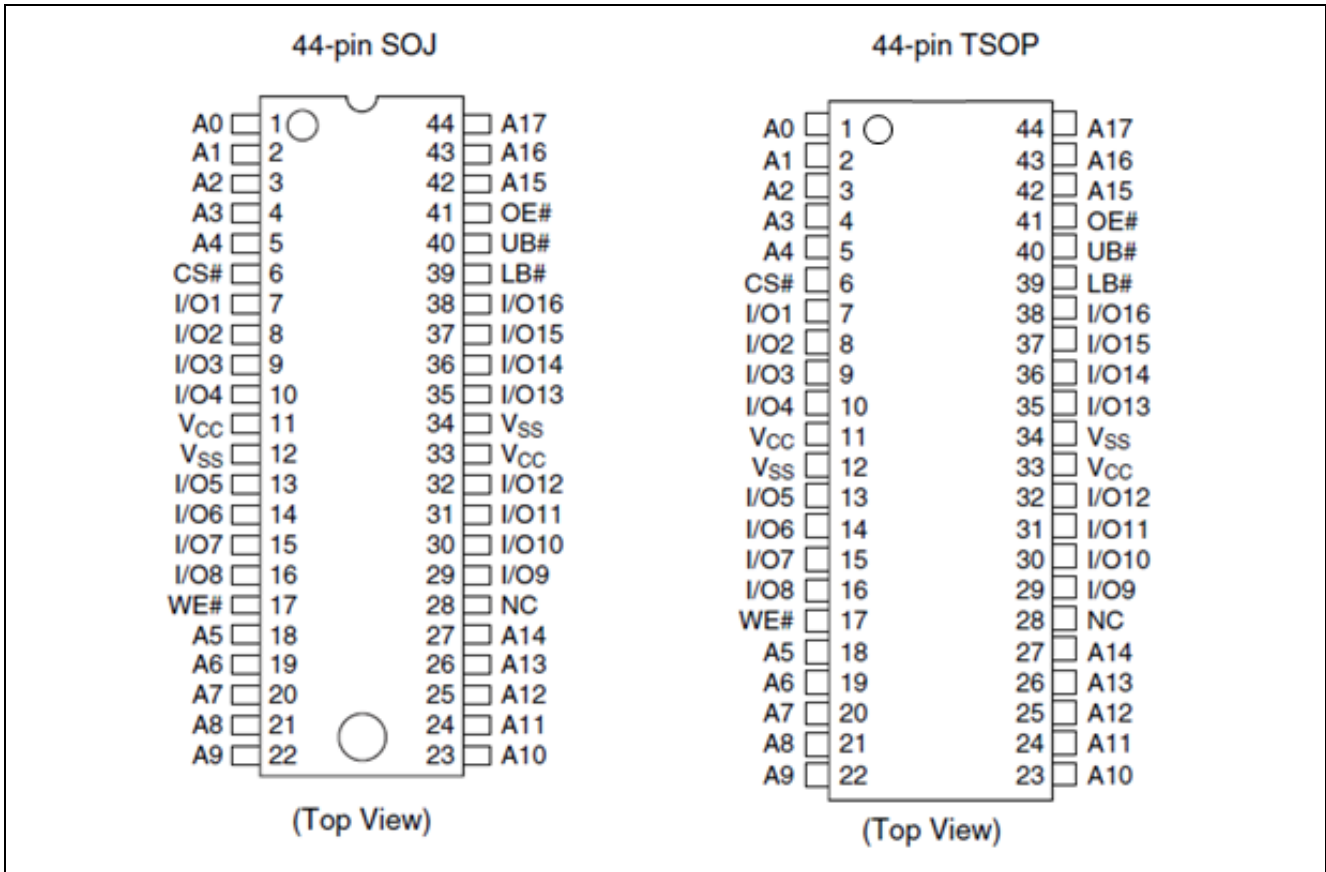
Features

- Single 3.3V supply: 3.3V ± 0.3V
- Access time: 10ns / 12ns (max)
- Completely static memory
 - No clock or timing strobe required
- Equal access and cycle times
- Directly TTL compatible
 - All inputs and outputs
- Operating current: 145mA / 130mA (max)
- TTL standby current: 40mA (max)
- CMOS standby current : 5mA (max)
 - : 0.8mA (max) (L-version)
 - : 0.5mA (max) (S-version)
- Data retention current : 0.4mA (max) (L-version)
 - : 0.2mA (max) (S-version)
- Data retention voltage: 2.0V (min) (L-version , S-version)
- Center V_{CC} and V_{SS} type pin out

Ordering Information

Type No.	Access time	Version	Package
R1RW0416DGE-2PR	12ns	Normal	400-mil 44-pin plastic SOJ
R1RW0416DGE-2LR	12ns	L-Version	
R1RW0416DSB-0PR	10ns	Normal	400-mil 44-pin plastic TSOPII
R1RW0416DSB-2PR	12ns	Normal	
R1RW0416DSB-2LR	12ns	L-Version	
R1RW0416DSB-2SR	12ns	S-Version	

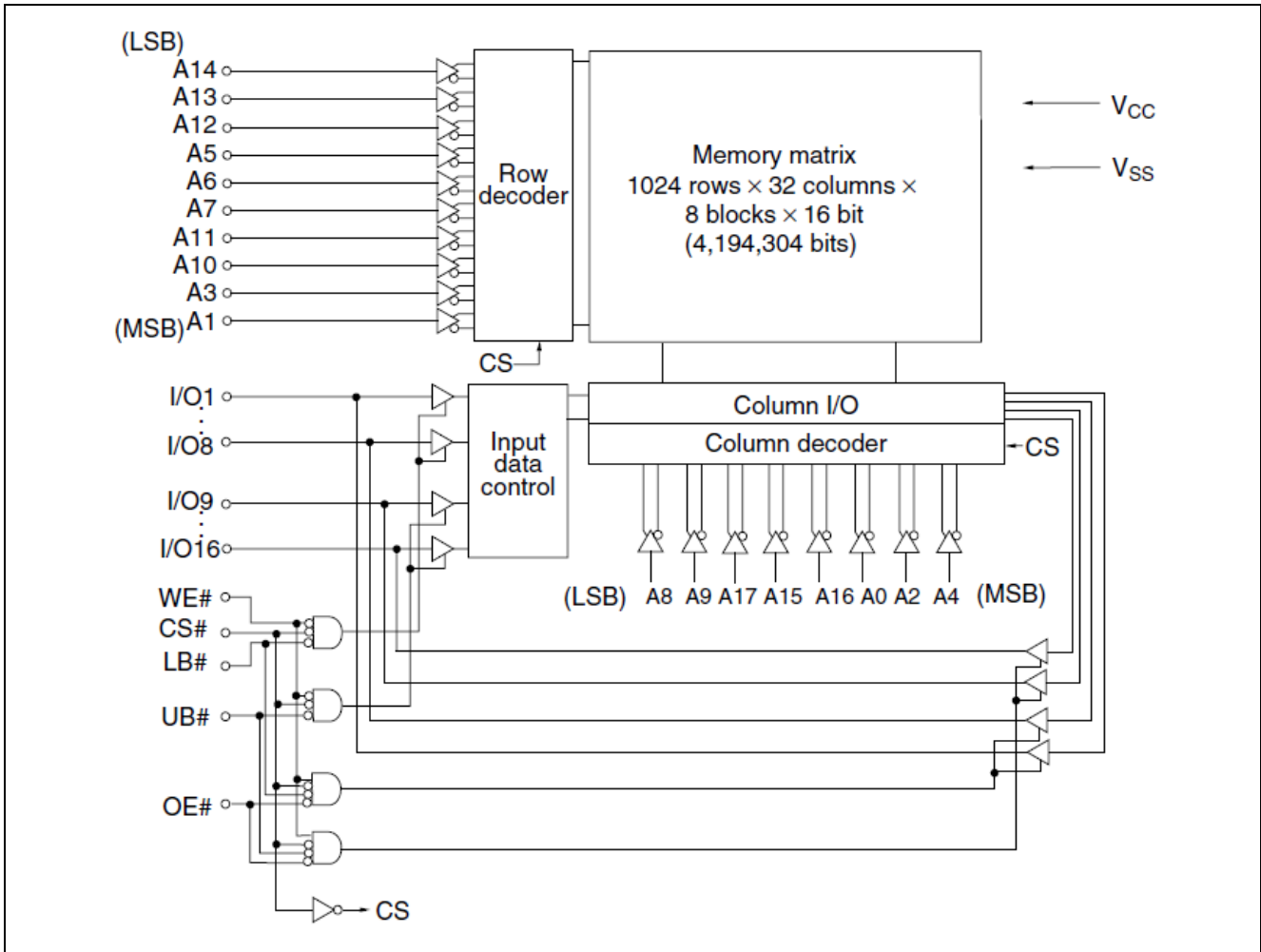
Pin Arrangement



Pin Description

Pin name	Function
A0 to A17	Address input
I/O1 to I/O16	Data input/output
CS#	Chip select
OE#	Output enable
WE#	Write enable
UB#	Upper byte select
LB#	Lower byte select
V _{CC}	Power supply
V _{SS}	Ground
NC	No connection

Block Diagram



Operation Table

CS#	OE#	WE#	LB#	UB#	Mode	V _{CC} current	I/O1–I/O8	I/O9–I/O16	Ref. cycle
H	×	×	×	×	Standby	I _{SB} , I _{SB1}	High-Z	High-Z	—
L	H	H	×	×	Output disable	I _{CC}	High-Z	High-Z	—
L	L	H	L	L	Read	I _{CC}	Output	Output	Read cycle
L	L	H	L	H	Lower byte read	I _{CC}	Output	High-Z	Read cycle
L	L	H	H	L	Upper byte read	I _{CC}	High-Z	Output	Read cycle
L	L	H	H	H	—	I _{CC}	High-Z	High-Z	—
L	×	L	L	L	Write	I _{CC}	Input	Input	Write cycle
L	×	L	L	H	Lower byte write	I _{CC}	Input	High-Z	Write cycle
L	×	L	H	L	Upper byte write	I _{CC}	High-Z	Input	Write cycle
L	×	L	H	H	—	I _{CC}	High-Z	High-Z	—

Note: H: V_{IH}, L: V_{IL}, ×: V_{IH} or V_{IL}

Absolute Maximum Ratings

Parameter	Symbol	Value	Unit
Supply voltage relative to V _{SS}	V _{CC}	−0.5 to +4.6	V
Voltage on any pin relative to V _{SS}	V _T	−0.5* ¹ to V _{CC} + 0.5* ²	V
Power dissipation	P _T	1.0	W
Operating temperature	T _{opr}	0 to +70	°C
Storage temperature	T _{stg}	−55 to +125	°C
Storage temperature under bias	T _{bias}	−10 to +85	°C

Notes: 1. V_T (min) = −2.0V for pulse width (under shoot) ≤ 6ns.

2. V_T (max) = V_{CC} + 2.0V for pulse width (over shoot) ≤ 6ns.

Recommended DC Operating Conditions

(T_a = 0 to +70°C)

Parameter	Symbol	Min	Typ	Max	Unit
Supply voltage	V _{CC} * ³	3.0	3.3	3.6	V
	V _{SS} * ⁴	0	0	0	V
Input voltage	V _{IH}	2.0	—	V _{CC} + 0.5* ²	V
	V _{IL}	−0.5* ¹	—	0.8	V

Notes: 1. V_{IL} (min) = −2.0V for pulse width (under shoot) ≤ 6ns.

2. V_{IH} (max) = V_{CC} + 2.0V for pulse width (over shoot) ≤ 6ns.

3. The supply voltage with all V_{CC} pins must be on the same level.

4. The supply voltage with all V_{SS} pins must be on the same level.

DC Characteristics(Ta = 0 to +70°C, V_{CC} = 3.3V ± 0.3V, V_{SS} = 0V)

Parameter	Symbol	Min	Max	Unit	Test conditions	
Input leakage current	I _{LI}	—	2	μA	V _{IN} = V _{SS} to V _{CC}	
Output leakage current	I _{LO}	—	2	μA	V _{IN} = V _{SS} to V _{CC}	
Operating power supply current	10ns cycle	I _{CC}	—	145	mA	Min cycle CS# = V _{IL} , I _{OUT} = 0mA Other inputs = V _{IH} /V _{IL}
	12ns cycle	I _{CC}	—	130	mA	
Standby power supply current	I _{SB}	—	40	mA	Min cycle, CS# = V _{IH} , Other inputs = V _{IH} /V _{IL}	
	I _{SB1}	—	5	mA	f = 0MHz V _{CC} ≥ CS# ≥ V _{CC} - 0.2V, (1) 0V ≤ V _{IN} ≤ 0.2V or (2) V _{CC} ≥ V _{IN} ≥ V _{CC} - 0.2V	
		—*1	0.8*1	mA		
		—*2	0.5*2	mA		
Output voltage	V _{OL}	—	0.4	V	I _{OL} = 8mA	
	V _{OH}	2.4	—	V	I _{OH} = -4mA	

Notes: 1. This characteristics is guaranteed only for L-version.
2. This characteristics is guaranteed only for S-version.

Capacitance

(Ta = +25°C, f = 1.0MHz)

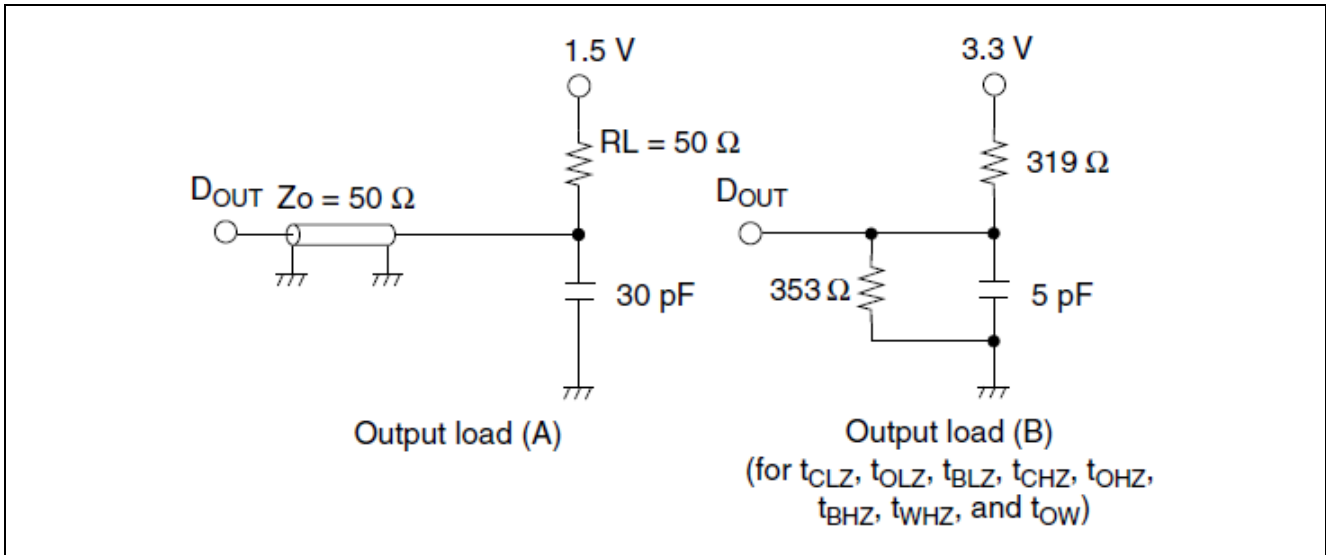
Parameter	Symbol	Min	Max	Unit	Test conditions
Input capacitance*1	C _{IN}	—	6	pF	V _{IN} = 0V
Input/output capacitance*1	C _{I/O}	—	8	pF	V _{I/O} = 0V

Note: 1. This parameter is sampled and not 100% tested.

AC Characteristics

Test Conditions ($T_a = 0$ to $+70^\circ\text{C}$, $V_{CC} = 3.3\text{V} \pm 0.3\text{V}$, unless otherwise noted.)

- Input pulse levels: 3.0V/0.0V
- Input rise and fall time: 3ns
- Input and output timing reference levels: 1.5V
- Output load: See figures (Including scope and jig)



Read Cycle

Parameter	Symbol	R1RW0416D				Unit	Notes
		10ns Version		12ns Version			
		Min	Max	Min	Max		
Read cycle time	t_{RC}	10	—	12	—	ns	
Address access time	t_{AA}	—	10	—	12	ns	
Chip select access time	t_{ACS}	—	10	—	12	ns	
Output enable to output valid	t_{OE}	—	5	—	6	ns	
Byte select to output valid	t_{BA}	—	5	—	6	ns	
Output hold from address change	t_{OH}	3	—	3	—	ns	
Chip select to output in low-Z	t_{CLZ}	3	—	3	—	ns	1
Output enable to output in low-Z	t_{OLZ}	0	—	0	—	ns	1
Byte select to output in low-Z	t_{BLZ}	0	—	0	—	ns	1
Chip deselect to output in high-Z	t_{CHZ}	—	5	—	6	ns	1
Output disable to output in high-Z	t_{OHZ}	—	5	—	6	ns	1
Byte deselect to output in high-Z	t_{BHZ}	—	5	—	6	ns	1

Write Cycle

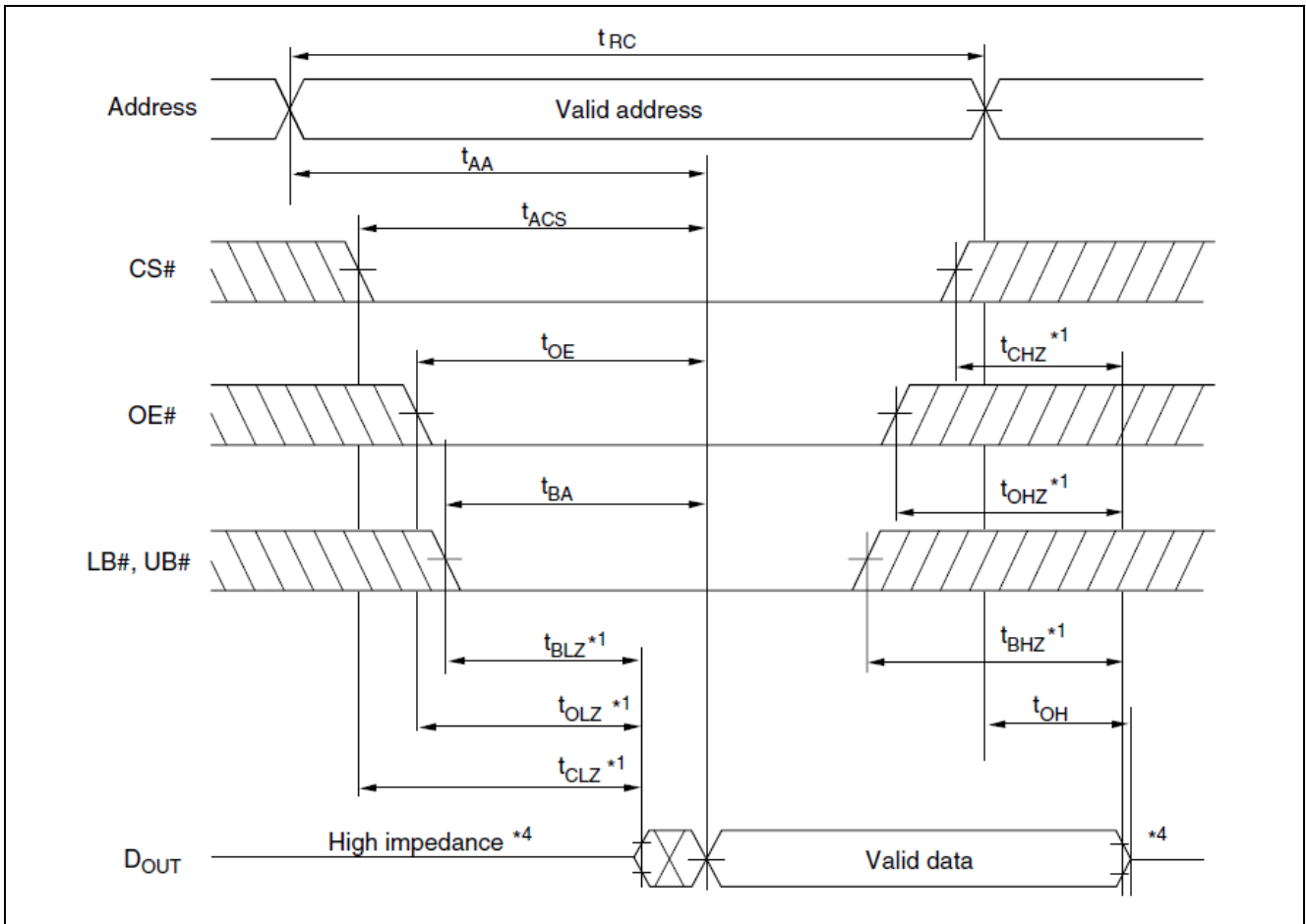
Parameter	Symbol	R1RW0416D				Unit	Notes
		10ns Version		12ns Version			
		Min	Max	Min	Max		
Write cycle time	t_{WC}	10	—	12	—	ns	
Address valid to end of write	t_{AW}	7	—	8	—	ns	
Chip select to end of write	t_{CW}	7	—	8	—	ns	8
Write pulse width	t_{WP}	7	—	8	—	ns	7
Byte select to end of write	t_{BW}	7	—	8	—	ns	
Address setup time	t_{AS}	0	—	0	—	ns	5
Write recovery time	t_{WR}	0	—	0	—	ns	6
Data to write time overlap	t_{DW}	5	—	6	—	ns	
Data hold from write time	t_{DH}	0	—	0	—	ns	
Write disable to output in low-Z	t_{OW}	3	—	3	—	ns	1
Output disable to output in high-Z	t_{OHZ}	—	5	—	6	ns	1
Write enable to output in high-Z	t_{WHZ}	—	5	—	6	ns	1

Notes: 1. Transition is measured $\pm 200\text{mV}$ from steady voltage with output load (B). This parameter is sampled and not 100% tested.

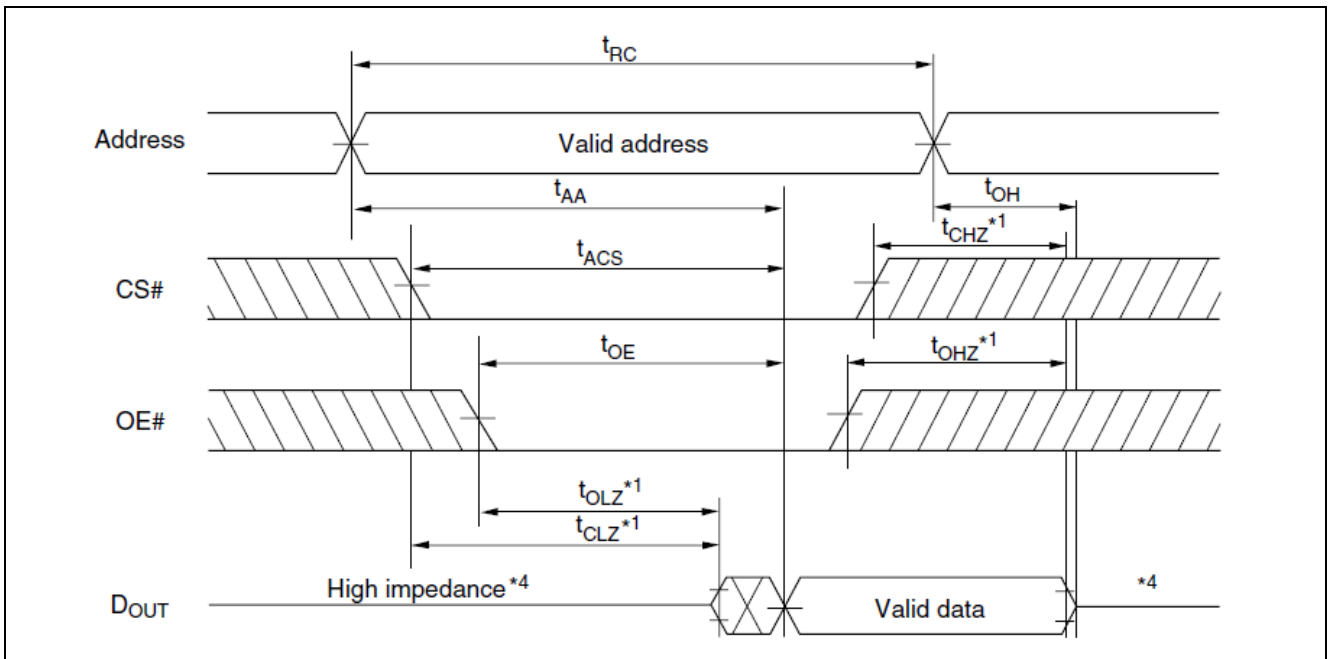
2. If the CS# or LB# or UB# low transition occurs simultaneously with the WE# low transition or after the WE# transition, output remains a high impedance state.
3. WE# and/or CS# must be high during address transition time.
4. If CS#, OE#, LB# and UB# are low during this period, I/O pins are in the output state. Then the data input signals of opposite phase to the outputs must not be applied to them.
5. t_{AS} is measured from the latest address transition to the latest of CS#, WE#, LB# or UB# going low.
6. t_{WR} is measured from the earliest of CS#, WE#, LB# or UB# going high to the first address transition.
7. A write occurs during the overlap of a low CS#, a low WE# and a low LB# or a low UB# (t_{WP}). A write begins at the latest transition among CS# going low, WE# going low and LB# going low or UB# going low. A write ends at the earliest transition among CS# going high, WE# going high and LB# going high or UB# going high.
8. t_{CW} is measured from the later of CS# going low to the end of write.

Timing Waveforms

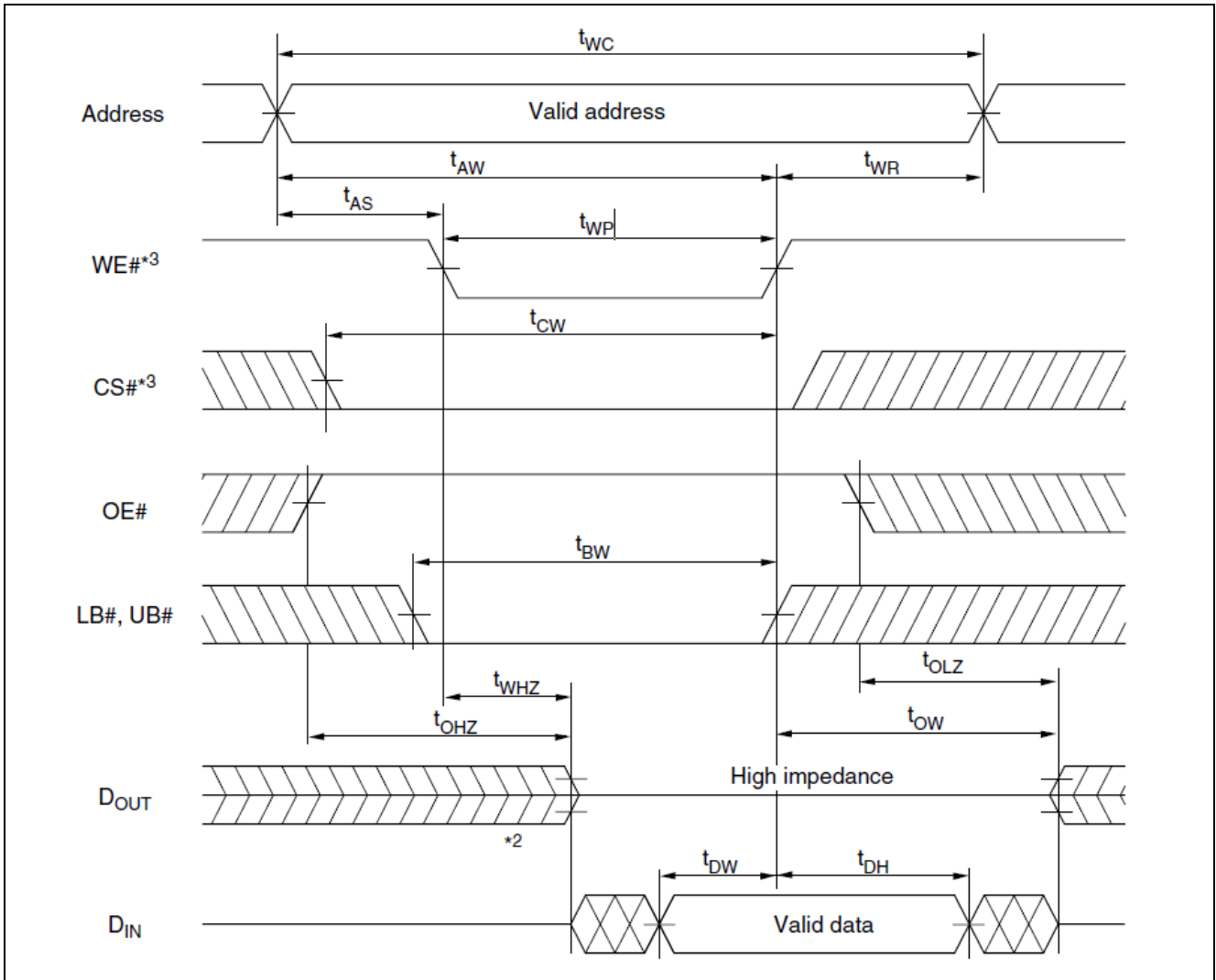
Read Timing Waveform (1) (WE# = V_{IH})



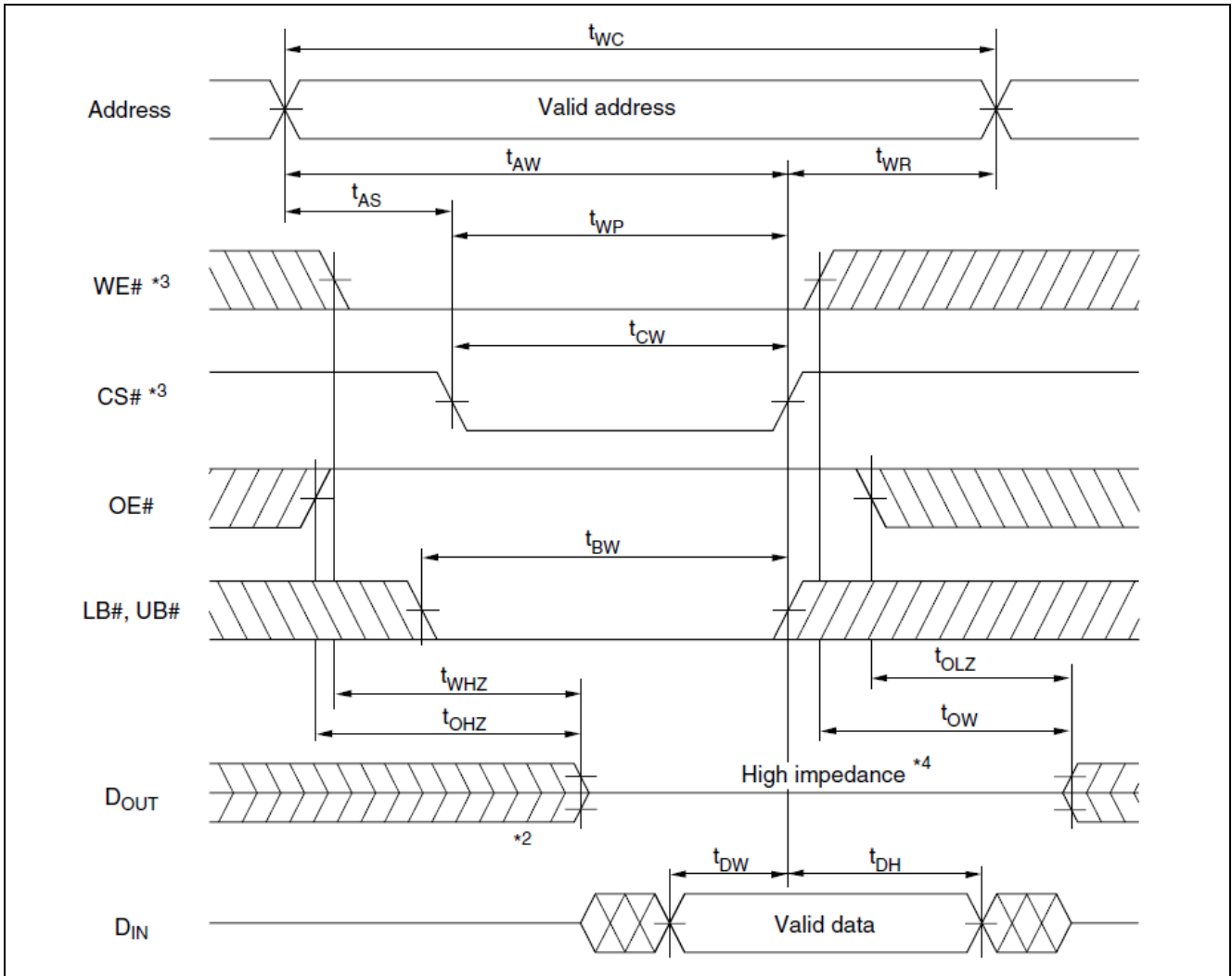
Read Timing Waveform (2) (WE# = V_{IH}, LB# = V_{IL}, UB# = V_{IL})



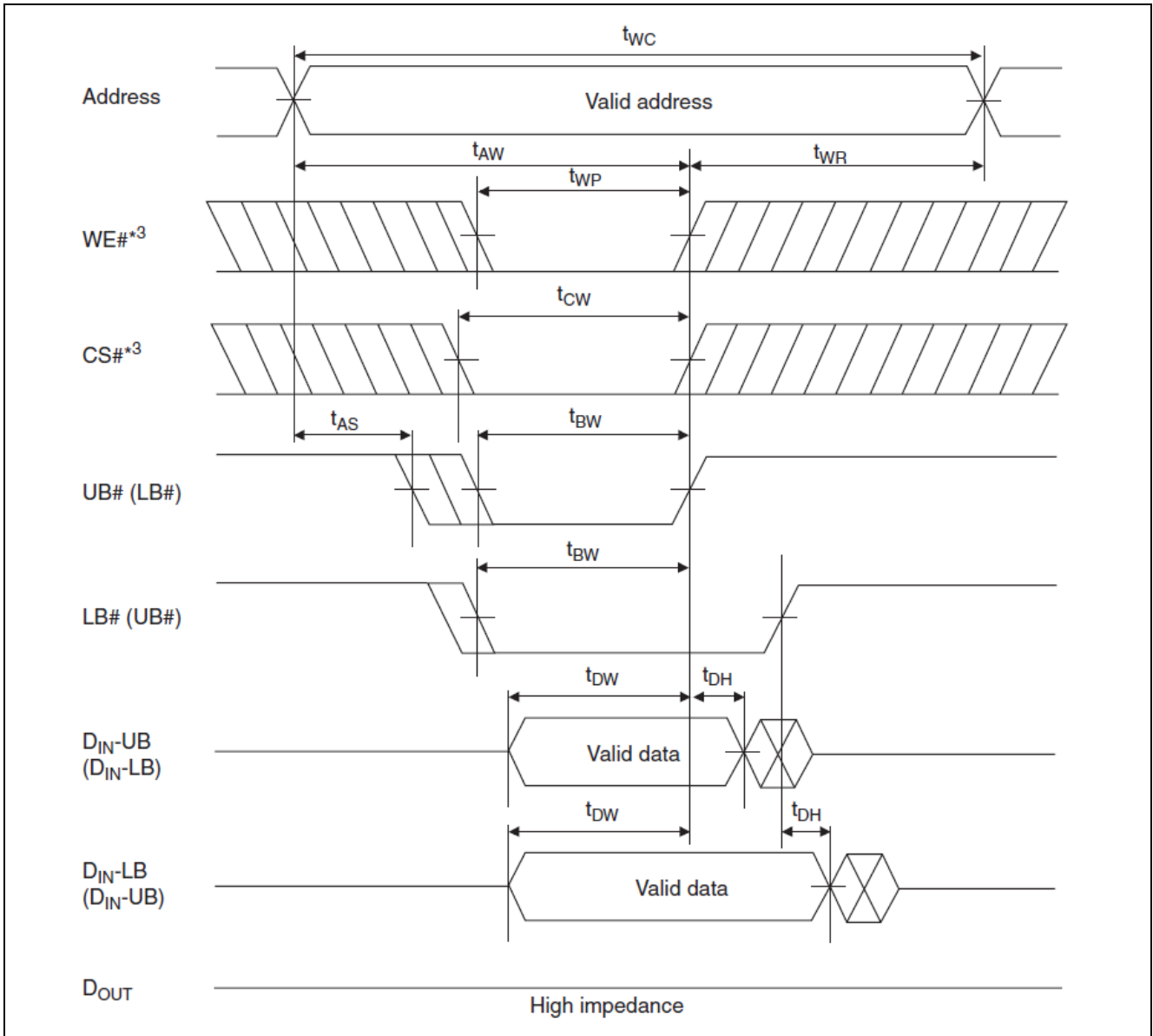
Write Timing Waveform (1) (WE# Controlled)



Write Timing Waveform (2) (CS# Controlled)



Write Timing Waveform (3) (LB#, UB# Controlled, OE# = V_{IH})



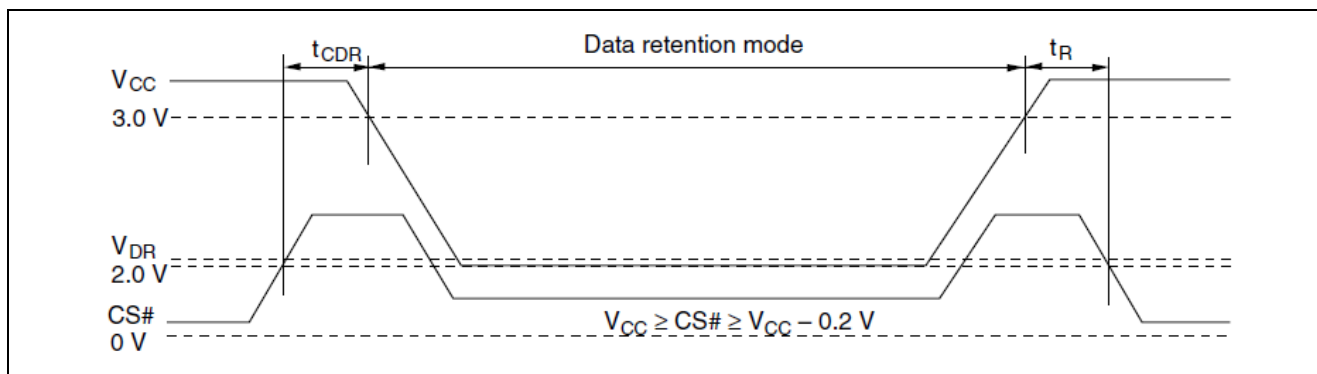
Low V_{CC} Data Retention Characteristics

(T_a = 0 to +70°C)

This characteristics is guaranteed only for L-version and S-version.

Parameter	Symbol	Min	Max	Unit	Test conditions
V _{CC} for data retention	V _{DR}	2.0	—	V	V _{CC} ≥ CS# ≥ V _{CC} - 0.2V, (1) 0V ≤ V _{IN} ≤ 0.2V or (2) V _{CC} ≥ V _{IN} ≥ V _{CC} - 0.2V
Data retention current	L-version	I _{CCDR}	—	400	μA V _{CC} = 3V V _{CC} ≥ CS# ≥ V _{CC} - 0.2V, (1) 0V ≤ V _{IN} ≤ 0.2V or (2) V _{CC} ≥ V _{IN} ≥ V _{CC} - 0.2V
	S-Version	I _{CCDR}	—	200	
Chip deselect to data retention time	t _{CDR}	0	—	ns	See retention waveform
Operation recovery time	t _R	5	—	ms	

Low V_{CC} Data Retention Timing Waveform



Revision History

Rev.	Date	Description	
		Page	Summary
1.00	Nov.18.19	-	First Edition issued

All documents should contain the following section break and paragraph as the last item. The footers of this document refer to the paragraph in order to reference the last page of the document.

IMPORTANT NOTICE AND DISCLAIMER

RENESAS ELECTRONICS CORPORATION AND ITS SUBSIDIARIES (“RENESAS”) PROVIDES TECHNICAL SPECIFICATIONS AND RELIABILITY DATA (INCLUDING DATASHEETS), DESIGN RESOURCES (INCLUDING REFERENCE DESIGNS), APPLICATION OR OTHER DESIGN ADVICE, WEB TOOLS, SAFETY INFORMATION, AND OTHER RESOURCES “AS IS” AND WITH ALL FAULTS, AND DISCLAIMS ALL WARRANTIES, EXPRESS OR IMPLIED, INCLUDING, WITHOUT LIMITATION, ANY IMPLIED WARRANTIES OF MERCHANTABILITY, FITNESS FOR A PARTICULAR PURPOSE, OR NON-INFRINGEMENT OF THIRD PARTY INTELLECTUAL PROPERTY RIGHTS.

These resources are intended for developers skilled in the art designing with Renesas products. You are solely responsible for (1) selecting the appropriate products for your application, (2) designing, validating, and testing your application, and (3) ensuring your application meets applicable standards, and any other safety, security, or other requirements. These resources are subject to change without notice. Renesas grants you permission to use these resources only for development of an application that uses Renesas products. Other reproduction or use of these resources is strictly prohibited. No license is granted to any other Renesas intellectual property or to any third party intellectual property. Renesas disclaims responsibility for, and you will fully indemnify Renesas and its representatives against, any claims, damages, costs, losses, or liabilities arising out of your use of these resources. Renesas' products are provided only subject to Renesas' Terms and Conditions of Sale or other applicable terms agreed to in writing. No use of any Renesas resources expands or otherwise alters any applicable warranties or warranty disclaimers for these products.

(Rev.1.0 Mar 2020)

Corporate Headquarters

TOYOSU FORESIA, 3-2-24 Toyosu,
Koto-ku, Tokyo 135-0061, Japan
www.renesas.com

Contact Information

For further information on a product, technology, the most up-to-date version of a document, or your nearest sales office, please visit:
www.renesas.com/contact/

Trademarks

Renesas and the Renesas logo are trademarks of Renesas Electronics Corporation. All trademarks and registered trademarks are the property of their respective owners.

Looking for pricing, stock, or lifecycle information?

Click below to explore more details on WIN SOURCE:

- [View R1RW0416DSB-2PR#D1 on WIN SOURCE](#)
- [Renesas Electronics America Information](#)

Optimize Your Supply Chain with WIN SOURCE Solutions

- ✓ Global Sourcing Solution
- ✓ Obsolete Management
- ✓ Cost Control Management
- ✓ Shortage Management
- ✓ Alternative Solution
- ✓ Excess Inventory Management