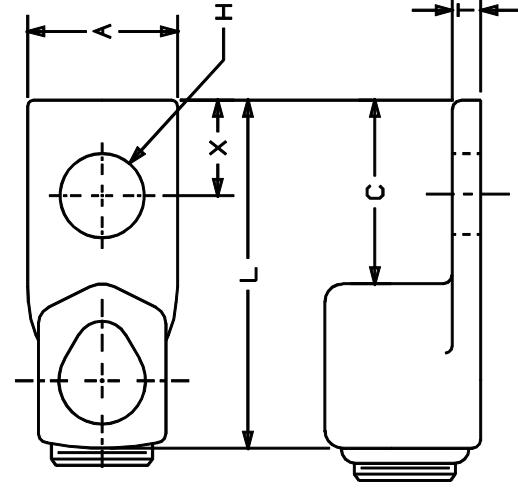




**THE DATASHEET OF
HLA21-1-90-5**



THIS COPY IS PROVIDED ON A RESTRICTED BASIS AND IS NOT TO BE USED IN ANY WAY DETRIMENTAL TO THE INTERESTS OF PANDUIT CORPORATION.



NOTES:

1. UL LISTED.
2. FOR COPPER WIRE ONLY.
3. IF HEX KEY IS NOT GIVEN, FLAT HEAD SCREW IS USED.
4. MADE IN THE USA.
5. SADDLE/PLATE PROVIDES UNIFORM CLAMPING WITHOUT DISTORTING CABLE SHAPE.



LISTED
508D

CATALOG NUMBER	CONDUCTOR RANGE	APPROXIMATE DIMENSIONS					
		A	C	H	L	X	T
HLA4-1-90-X	8 SOLID-4 STR.	.56	.63	.28	1.63	.31	.19
HLA8-1-90-X	4 SOLID-1 STR.	.75	.69	.28	1.50	.34	.22
HLA13-1-90-5	1 STR.-2/0 STR.	.81	.88	.44	2.38	.44	.22
HLA21-1-90-5	2/0 STR.-4/0 STR.	1.00	1.00	.44	2.69	.50	.25

01	10/98	WB		ADDED	NOTE 5						
00	10/96	TM	WB	RELEASED		05216	LA	RM			
REV	DATE	BY	CHK	DESCRIPTION	ECN #	APP	PM	DRAWN BY	EJD	CHK'D	WJB
											SCALE
											NO
PANDUIT CORP.										ONE BOLT HOLE 90° U TYPE HLA CU	

Looking for pricing, stock, or lifecycle information?

Click below to explore more details on WIN SOURCE:

 [View HLA21-1-90-5 on WIN SOURCE](#)

 [Panduit Corp](#) Information

Optimize Your Supply Chain with WIN SOURCE Solutions

-  Global Sourcing Solution
-  Obsolete Management
-  Cost Control Management
-  Shortage Management
-  Alternative Solution
-  Excess Inventory Management