



**THE DATASHEET OF
KT3225R26000ZAW28TMA**



Specification

Date : Jul. 19, 07

TO : e-Ride

Approved by

Selling agency
KYOCERA Corporation
(Electronic Components Sales Division)
〒612-8501 6 Takeda Tobadono-cho, Fushimi-ku
Kyoto 612-8501
TEL 075-604-3500, FAX 075-604-3501

Manufacturer
KYOCERA KINSEKI Corporation
〒201-8648 1-8-1 Izumi -Honcho Komae-shi,
Tokyo 201-8648
TEL 03-5497-3111, FAX 03-5497-3209

Let us Submit 1Copy of the approved Specification on the below items.

Product	Crystal Oscillator
Model	KT3225R26000ZAW28TMA (Pb-Free / RoHS Compliant)
Frequency	26.0MHz
Specification No.	_____
Customer Parts No.	_____

Engineering KYOCERA KINSEKI Yamagata Corporation Crystal Oscillator Manufacturing Department Crystal Oscillator Engineering section	Issued by N. Nakano <i>N. Nakano</i>	Approved by Y. Tachiiri <i>Y. Tachiiri</i>	Drawing No. K1101-06389-562
--	--	--	--------------------------------

※Recycled paper is being used for the conservation of nature.

KYOCERA KINSEKI Corporation

KBSK-5110C

Revision History

Revision No.	Revision Date	Customer Receipt Date	Supplier Receipt Date	Revision Content and reason	Notes	Approved by	Checked by	Prepared by
1	Dec 25, 06			<input checked="" type="radio"/> Document not based on e-Ride Specification. <input type="radio"/> The first edition.		Y.Tachiri	-----	N.Nakano
2	Jul. 19, 07			<input type="radio"/> Change Model name <input type="radio"/> Change Temp characteristics <input type="radio"/> Change Parts Numbering Guide		<i>Y.Tachiri</i>	-----	<i>N.Nakano</i>
KYOCERA KINSEKI Corporation				Dwg. Date	2007/7/19	Dwg. No.	K1101-06389-562-1/9	

1. Purpose and scope

This document contains specification related to CRYSTAL OSCILLATOR model KT3225R26000ZAW28TMA for e-Ride.

2. Nominal condition

	Item	Rating
1	Operating temperature range	-40°C to +85°C
2	Storage temperature range	-40°C to +85°C
3	Nominal frequency	26.0 MHz
4	Supply voltage	2.8V±5%
5	Load impedance	10kΩ//10pF±10%
6	Output signal condition	Clipped sine wave (Without DC-cut)

3. Electrical characteristics

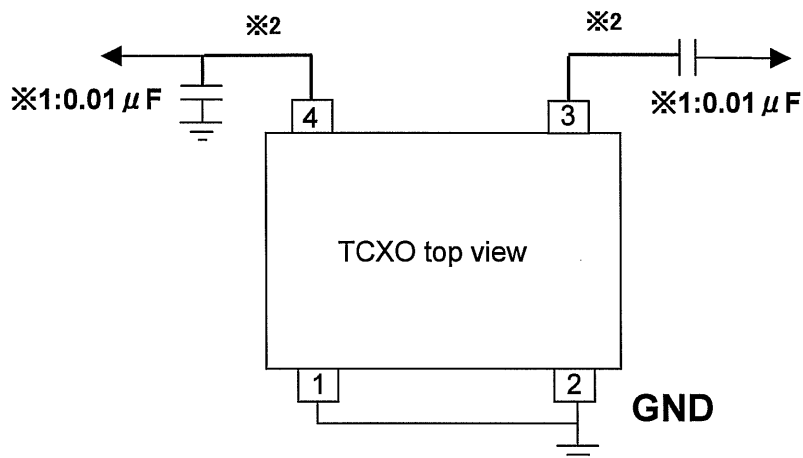
Ta= -40°C to +85°C, Vcc=2.8V, Vc=GND, Load 10kΩ//10pF

	Item	Specification
1	Frequency stability	
△	1	Temp characteristics $\pm 2.5 \times 10^{-6}$ max. / -30°C to +85°C $\pm 5.0 \times 10^{-6}$ max. / -40°C to -30°C (On the basis of 25°C frequency)
	2	Voltage characteristics $\pm 0.2 \times 10^{-6}$ max. / 2.8V±5%
	3	Load characteristics $\pm 0.2 \times 10^{-6}$ max. / 10kΩ//10pF±10%
	4	Aging characteristics $\pm 1.0 \times 10^{-6}$ max. / year (at 25°C±2°C)
	5	Frequency Tolerance $\pm 2.0 \times 10^{-6}$ max. (After 2 times reflow soldering) (at 25°C±2°C)
2	Current	1.5 mA max.
3	Output voltage	0.8 Vp-p min.
4	Harmonics	-8dBc max.

4. TYPICAL EXTERNAL COMPONENT CONNECTION

※1 Bypass Capacitor and DC-Blocking Capacitor do not build in this TCXO. So, Bypass Capacitor and DC-Blocking Capacitor are attached outside and please use it. And these Capacitor should be placed as close as possible to the pin(No.3 and No.4).

※2



5. Environment

After the following test, shall meet electrical specification and there shall be no change of appearance.

	Item	Specification
1	Thermal shock test	Test to consist of exposing unit to -40°C for 30 minutes then to $+85^{\circ}\text{C}$ for 30 minutes hundred cycles shall complete the test. After reaching the normal condition in 24 hours.
2	Fall down test	Drop 3 times to hard wooden board Height is 75 cm.
3	Vibration	Gave 5 to 36Hz 1.5mm amplitude(5 to 500Hz)or 5G Acceleration (55 to 500Hz) every 20 minutes or sweep time. Should be applied for 2 hours for 3 cycles in each of the X,Y and Z operation.
4	Humidity storage	Stored in chamber keeping $+65^{\circ}\text{C} \pm 2^{\circ}\text{C}$ / 95% for 500 hours. After close, leaving the normal condition for 24 hours.
5	High temperature Storage	Stored in chamber keeping $+85^{\circ}\text{C}$ for 500 hours. After close, leaving the normal condition for 24 hours.

Normal Condition : Temperature $25^{\circ}\text{C} \pm 2^{\circ}\text{C}$
Humidity 30 % ~ 70 %

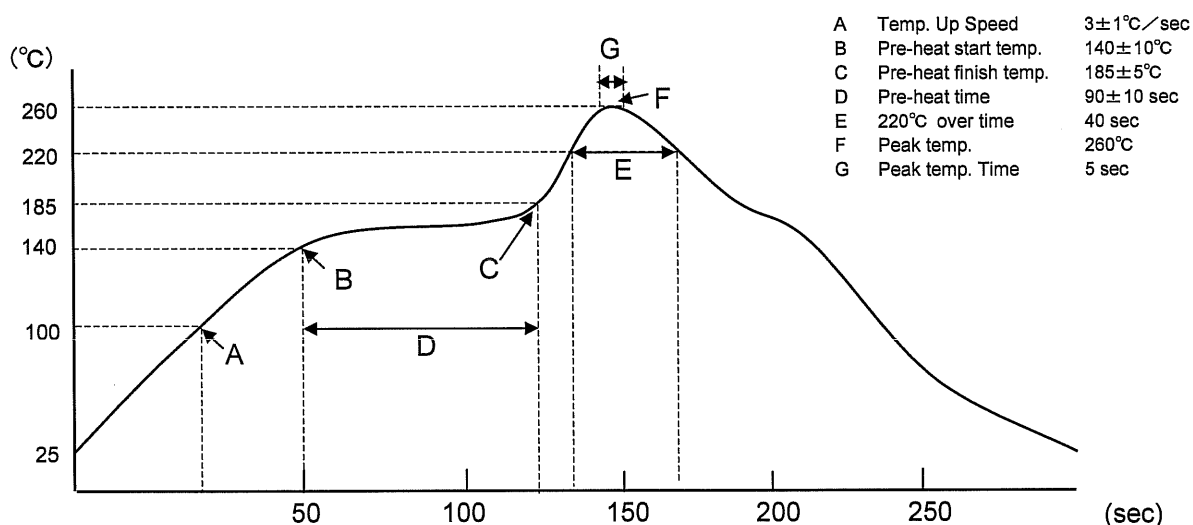
6. Mountability

After the following test, shall meet electrical specification and there shall be no change of appearance.

	Item	Specification
1	Solder heat shock Stability	All leads shall be soldered at temperature of $340^{\circ}\text{C} \pm 5^{\circ}\text{C}$ for 3 sec min. using a soldering iron.
2	Lead soldering stability	Dip each of lead into $230^{\circ}\text{C} \pm 5^{\circ}\text{C}$ solder pod for 5 ± 0.5 sec. After close, the test area of loads surfaces must be covered loads three quarters by solder. Measure frequency at room temperature. (On the basis of before reflow frequency.)
	Heart stress Emission	Early reflow heart stress emission should be complete after 2 hours 25°C leaving .
3	Reflow soldering	Temperature of 260°C max for 5 second. After close leaving the normal condition for 24 hours.
4	Washing	Disapprove of washing .

Reflow profile

Surface of mother board



7. Marking contents

	Contents	Example
1	Control Code I	MK (KYOCERA KINSEKI Yamagata Corporation) MT (KYOCERA KINSEKI (Thailand) Co., Ltd)
2	Frequency+ Control Code II	26.0□
3	Lot No.	601
4	Pin-1 identifier	■

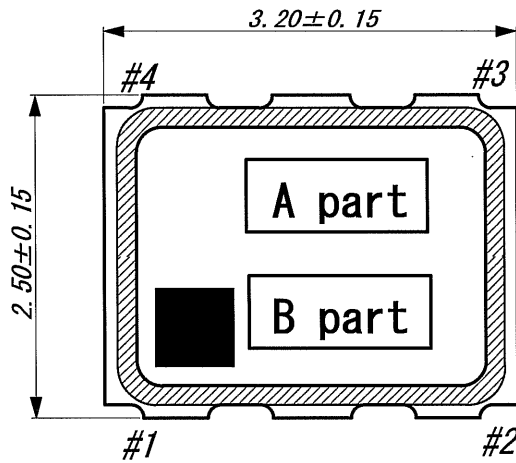
※ Laser Marking

8. Check item

	Item	All check	Sampling check	Guarantee of design
1	Frequency stability			
	1 Temp characteristics	◎	—	—
	2 Voltage characteristics	◎	—	—
	3 Load characteristics	—	—	◎
	4 Aging characteristics	—	—	◎
	5 Frequency tolerance	◎	—	—
2	Current	◎	—	—
3	Output voltage	◎	—	—
4	Harmonics	—	—	◎
5	Environment	—	—	◎
6	Mountability	—	—	◎
7	Final check of Frequency tolerance (QC)	—	◎	—

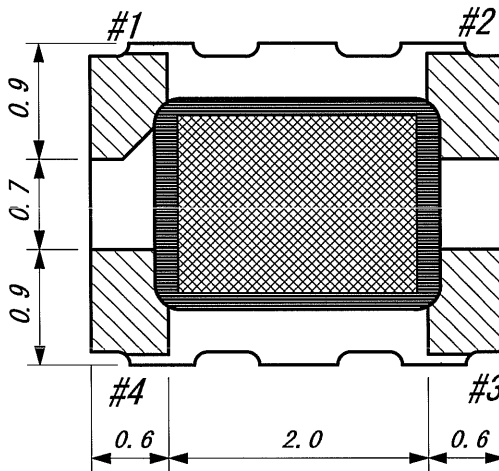
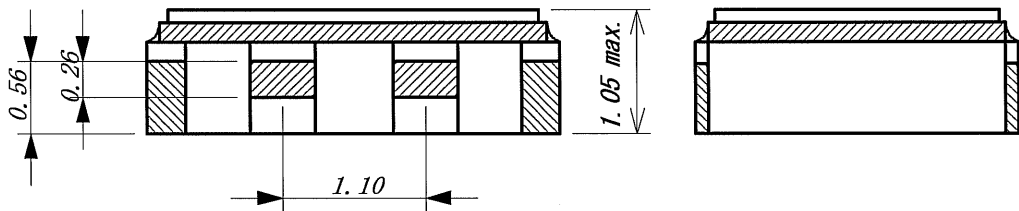
* Product test data is not normally attached to mass production orders. If data should be necessary, this must be separately ordered at time of order placement.

9. Dimensions



* Refer to Marking contents

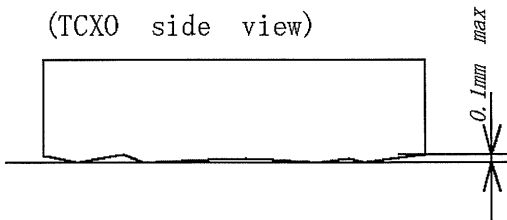
A part : Frequency+ Control Code II
 B part : Control Code I + Lot Number



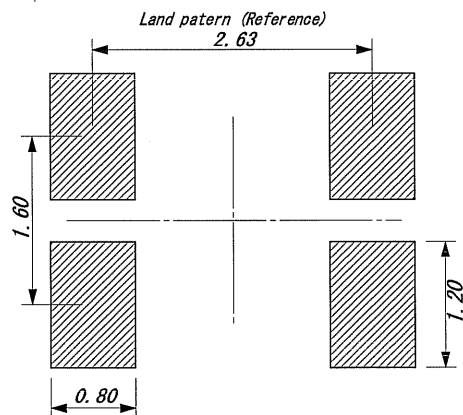
#1 GND
 #2 GND
 #3 OUT
 #4 Vcc

Unit:mm

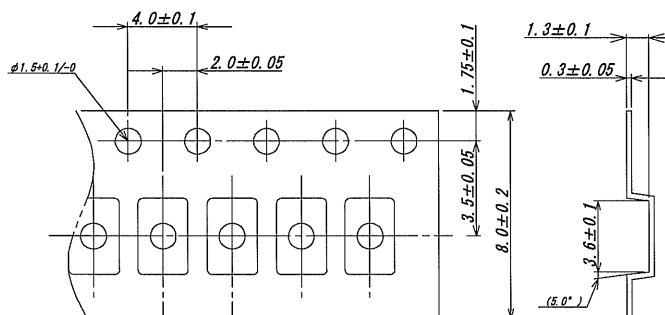
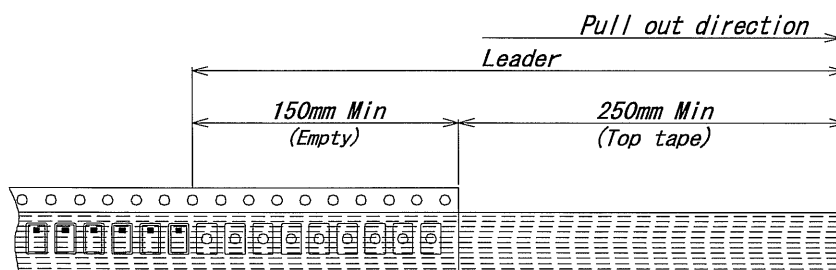
* Coplanarity



* Land pattern (Reference)



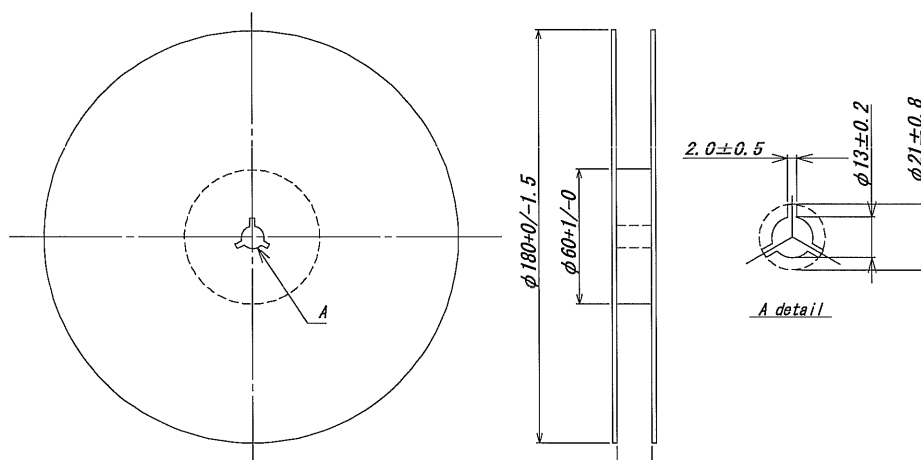
10.Packing and shipping



(Materials : PS or A-Pet included Carbon.)

Rolling direction	Clockwise
Tail tape direction	35 pockets Min
Tape ending management	Adhesive tape fixed on reel
Pull out strength	10N Min
Tear off strength	0.1N~0.7N (Speed 300km/min)

Reel Dimensions



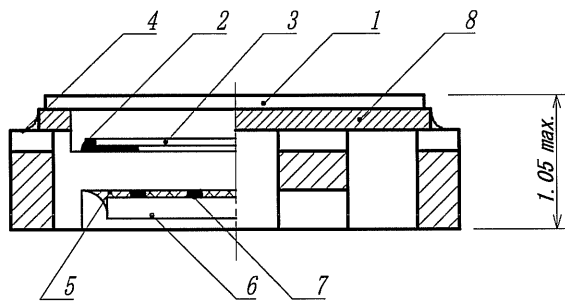
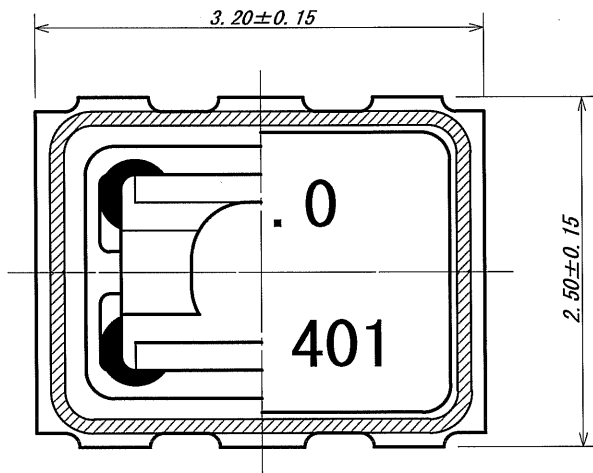
(Materials : PS included Carbon.)
 $\phi 180$ 2000pcs max.

- ① Reel diameter $\phi 180$
- ② Quantity 2000pcs
- ③ Tape width 8mm
- ④ Tape pitch 4mm
- ⑤ Set direction Guide side , Fiducial marking
- ⑥ For exclusive label No.

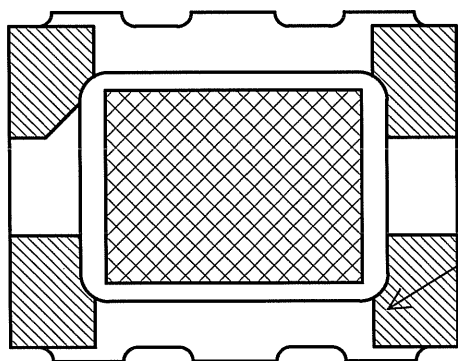
Packing material

Item	Item standard	Material	Antistatic
Reel	EIAJ-RRM08BC	PS Included Carbon	○
Carrier Tape	TCXO-214C-44000P	PS Included Carbon	○
Cover Film	SP-TZ (5.5×200M)	PET film	○

11. Structure of the TCXO



NO.	NAME
1	Metal Lid
2	Conductive Paste
3	X'tal
4	Alumina Ceramic Package
5	Epoxy resin
6	IC Chip
7	Au Bump
8	Seal ring (KV)



W+Ni(2~6 μm)+Au(0.5 μm)

※Flip chip bonding process is the gold gold interconnection.

12. Require careful handling

1. A thing is kept in the place which avoids direct rays and dew condensation does not produce.
2. Since there are high temperature and a possibility which comes out humidly of degrading the soldering nature of a product terminal part, about a thing if it is kept please avoid.(0~40°C, 30~70%RH)
3. Please use a thing within 168 hours after aluminum pack opening.
(A thing is kept by desiccator etc., when 168 hours after opening are exceeded. It is used after checking the product soldering nature of a thing.)

13. ESD

1. Human model 1.5KΩ 100pF: ±1000V
2. Machine model 0Ω 200pF: ±200V

14. Production place

This product is produced in KYOCERA KINSEKI Yamagata Corporation and the KYOCERA KINSEKI (Thailand) Co., Ltd.

15. Others

If you find further points in this specifications, contact us within 45 days after the date of issue.

16. Parts Numbering Guide

KT3225R 26000 Z A W 28 T MA
A B C D E F G H

- A. Series (3.2×2.5 SMD KT3225R)
- B. Frequency (26.0MHz)
- C. Frequency temperature accuracy (Z : Special specification)
- D. Minimum temperature range (A :-40°C)
- E. Maximum temperature range (W :+85°C)
- F. Supply voltage (28 : 2.8V)
- G. Control voltage stability (T : TCXO)
- H. Customer special model Suffix

Looking for pricing, stock, or lifecycle information?

Click below to explore more details on WIN SOURCE:

⊖ [View KT3225R26000ZAW28TMA on WIN SOURCE](#)

⊖ [AVX Corp/Kyocera Corp Information](#)

Optimize Your Supply Chain with WIN SOURCE Solutions

- ✓ Global Sourcing Solution
- ✓ Obsolete Management
- ✓ Cost Control Management
- ✓ Shortage Management
- ✓ Alternative Solution
- ✓ Excess Inventory Management