



**THE DATASHEET OF  
UP2C-101-R**



# UP2C

## UNI-PAC™ drum core power inductors



### Product features

- Miniature surface mount design with rugged case to eliminate core breakage
- Inductance range from 0.470  $\mu$ H to 1000  $\mu$ H
- Current range up to 18.6 A peak
- Meets UL94V-0 flammability standard
- Ferrite core material

### Applications

- Desktop computer
- Workstations/servers
- DVD Players
- Portable power devices
- Base stations
- Industrial power supplies
- Output filter chokes
- Test equipment instrumentation

### Environmental data

- Storage temperature range (component): -40 °C to +125 °C
- Operating temperature range: -40 °C to +125 °C (ambient plus self-temperature rise)
- Solder reflow temperature: J-STD-020 (latest revision) compliant



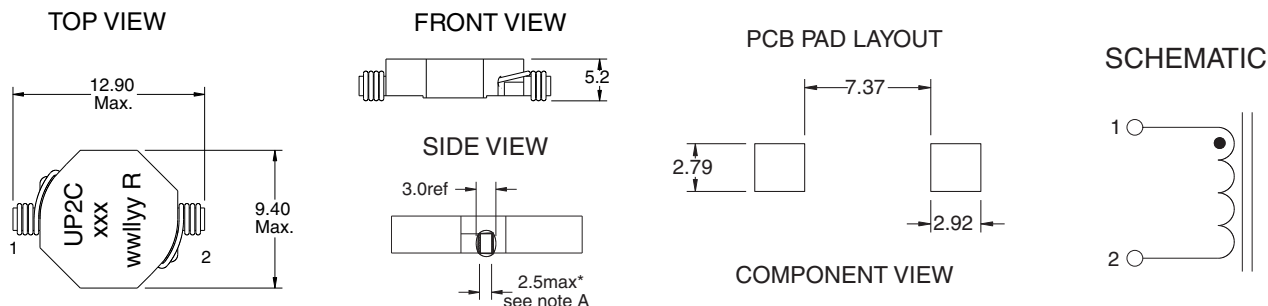
Product specifications

Part Number	Inductance $\mu\text{H}$ (rated)	OCL <sup>(1)</sup> $\mu\text{H}\pm 20\%$	I <sub>RMS</sub> <sup>(2)</sup> (A)	I <sub>SAT</sub> <sup>(3)</sup> (A)	DCR <sup>(4)</sup> m $\Omega$ typ.	Volts <sup>(5)</sup> $\mu\text{s}$ (typ)
UP2C-R47-R	0.470	0.48	12.2	18.6	2.5	4.15
UP2C-1R0-R	1.0	1.03	9.80	11.8	3.9	7.0
UP2C-1R5-R	1.5	1.45	8.10	10.0	5.6	8.3
UP2C-2R2-R	2.2	2.00	7.50	8.67	6.6	9.6
UP2C-3R3-R	3.3	3.30	5.90	6.84	10.5	12.1
UP2C-4R7-R	4.7	4.41	5.62	6.20	11.7	13.4
UP2C-6R8-R	6.8	7.16	4.42	4.82	18.0	17.3
UP2C-100-R	10.0	10.56	3.61	3.94	28.3	21.1
UP2C-150-R	15.0	15.97	3.17	3.17	36.9	26.2
UP2C-220-R	22.0	22.33	2.61	2.65	54.0	31.3
UP2C-330-R	33.0	32.11	2.16	2.20	79.7	37.7
UP2C-470-R	47.0	47.90	1.77	1.83	118.5	45.4
UP2C-680-R	68.0	65.03	1.57	1.53	151.7	54.3
UP2C-101-R	100.0	97.85	1.26	1.24	233.1	67.1
UP2C-151-R	150.0	141.9	1.04	1.02	351.4	81.2
UP2C-221-R	220.0	207.8	0.82	0.85	545.0	97.8
UP2C-331-R	330.0	318.2	0.67	0.70	824.3	120
UP2C-471-R	470.0	470.8	0.56	0.58	1191.4	144
UP2C-681-R	680.0	689.7	0.46	0.48	1774.2	173
UP2C-102-R	1000.0	1080.0	0.38	0.40	2657.1	209

Notes: (1) Open Circuit Inductance Test Parameters: 100 kHz, .250 Vrms, 0.0 Adc.  
 (2) RMS current for an approximate  $\Delta T$  of 40 °C without core loss, at an ambient temperature of +85 °C.  
 (3) Peak current for approximately 30% rolloff @ +20 °C.

(4) DCR limits +20 °C.  
 (5) Applied volt-time product (V-us) across the inductor. This value represents the applied v-us at 300 kHz necessary to generate a core loss equal to 10% of the total losses for a 40 °C temperature rise.

Dimensions-mm

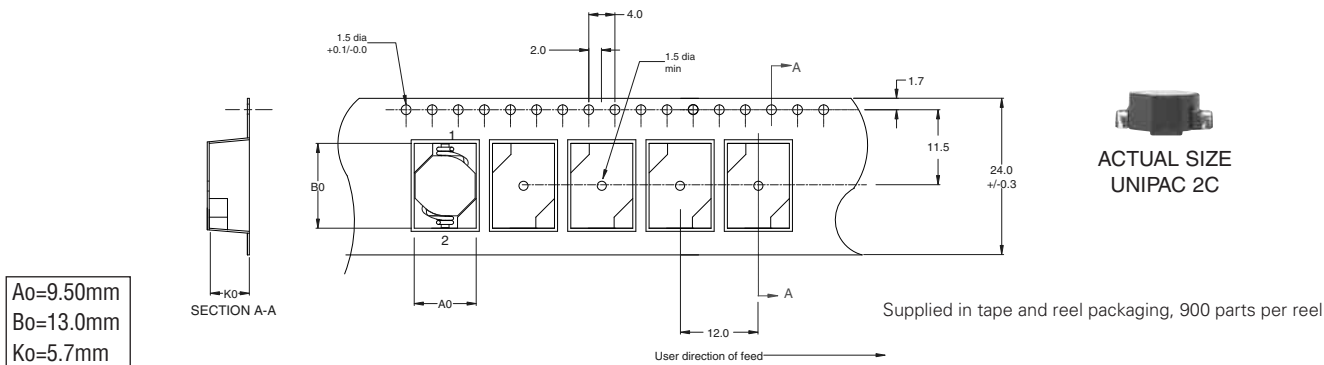


Dimensions in Millimeters.  
 wwilly = (date code) R = revision level  
 xxx = Inductance value per family chart

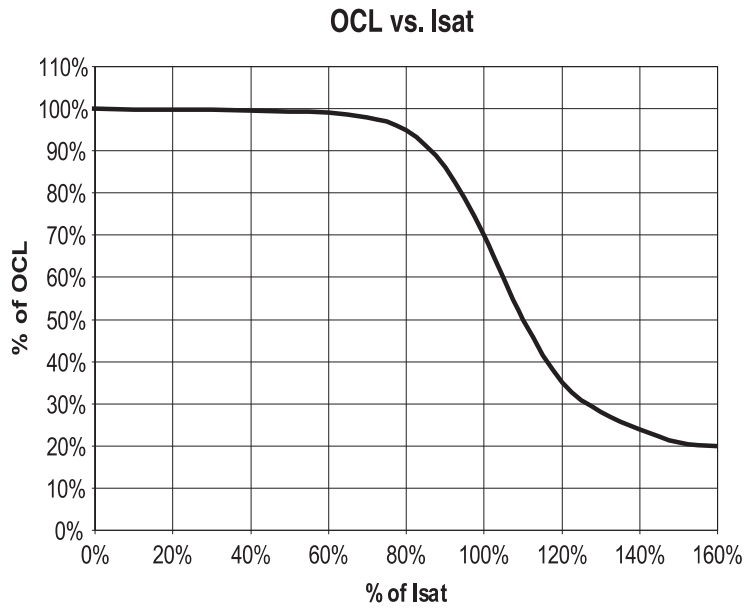
(A) 2.5mm max is width of copper at seating plane. The width above the seating plane may exceed 2.5mm.

Do not route traces or vias underneath the inductor

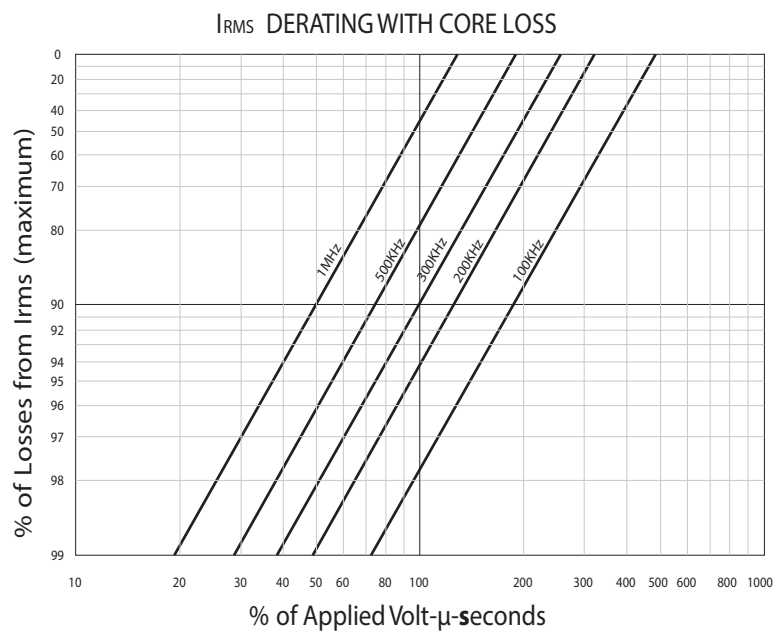
Packaging information-mm



**Inductance characteristics**



**Core loss**



### Solder Reflow Profile

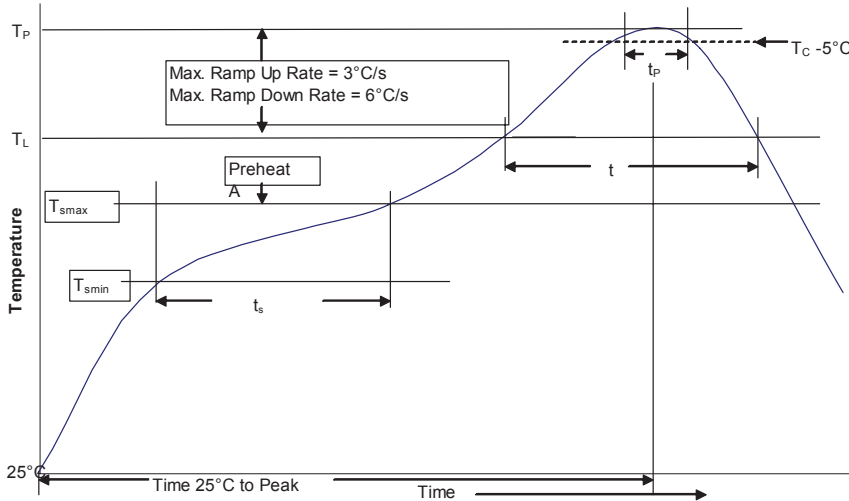


Table 1 - Standard SnPb Solder ( $T_p$ )

Package Thickness	Volume $\leq 350$ mm <sup>3</sup>	Volume $\geq 350$ mm <sup>3</sup>
<2.5mm	235°C	220°C
$\geq 2.5$ mm	220°C	220°C

Table 2 - Lead (Pb) Free Solder ( $T_p$ )

Package Thickness	Volume $\leq 350$ mm <sup>3</sup>	Volume 350 - 2000 mm <sup>3</sup>	Volume $> 2000$ mm <sup>3</sup>
<1.6mm	260°C	260°C	260°C
1.6 – 2.5mm	260°C	250°C	245°C
>2.5mm	250°C	245°C	245°C

### Reference JDEC J-STD-020

Profile Feature	Standard SnPb Solder	Lead (Pb) Free Solder
Preheat and Soak	• Temperature min. ( $T_{smin}$ )	100°C
	• Temperature max. ( $T_{smax}$ )	150°C
	• Time ( $T_{smin}$ to $T_{smax}$ ) ( $t_s$ )	60-120 Seconds
Average ramp up rate $T_{smax}$ to $T_p$	3°C/ Second Max.	3°C/ Second Max.
Liquidous temperature ( $T_L$ )	183°C	217°C
Time at liquidous ( $t_L$ )	60-150 Seconds	60-150 Seconds
Peak package body temperature ( $T_p$ )*	Table 1	Table 2
Time ( $t_p$ )** within 5 °C of the specified classification temperature ( $T_C$ )	20 Seconds**	30 Seconds**
Average ramp-down rate ( $T_p$ to $T_{smax}$ )	6°C/ Second Max.	6°C/ Second Max.
Time 25°C to Peak Temperature	6 Minutes Max.	8 Minutes Max.

\* Tolerance for peak profile temperature ( $T_p$ ) is defined as a supplier minimum and a user maximum.

\*\* Tolerance for time at peak profile temperature ( $t_p$ ) is defined as a supplier minimum and a user maximum.

Life Support Policy: Eaton does not authorize the use of any of its products for use in life support devices or systems without the express written approval of an officer of the Company. Life support systems are devices which support or sustain life, and whose failure to perform, when properly used in accordance with instructions for use provided in the labeling, can be reasonably expected to result in significant injury to the user.

Eaton reserves the right, without notice, to change design or construction of any products and to discontinue or limit distribution of any products. Eaton also reserves the right to change or update, without notice, any technical information contained in this bulletin.

**Eaton**  
Electronics Division  
1000 Eaton Boulevard  
Cleveland, OH 44122  
United States  
www.eaton.com/electronics

© 2017 Eaton  
All Rights Reserved  
Printed in USA  
Publication No. 4111  
August 2017

## Looking for pricing, stock, or lifecycle information?

Click below to explore more details on WIN SOURCE:

 [View UP2C-101-R on WIN SOURCE](#)

 [Eaton Bussmann Information](#)

## Optimize Your Supply Chain with WIN SOURCE Solutions

-  Global Sourcing Solution
-  Obsolete Management
-  Cost Control Management
-  Shortage Management
-  Alternative Solution
-  Excess Inventory Management