



**THE DATASHEET OF
ESMIT-4180/C**



ESMIT-4180/C

CBM5D33



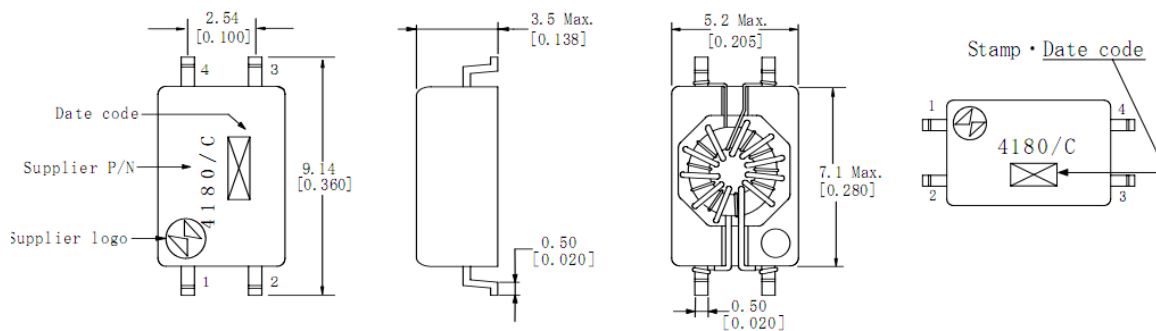
Description

- Reference Design in Freescale HV/EV Battery Management
- System MC33771 and MC33664
- Low Profile
- Qualified to AEC-Q200
- High Voltage Isolation 3750Vrms
- Operating Temperature: -40°C to +125°C
- Optimize Core Material for low temperature operation

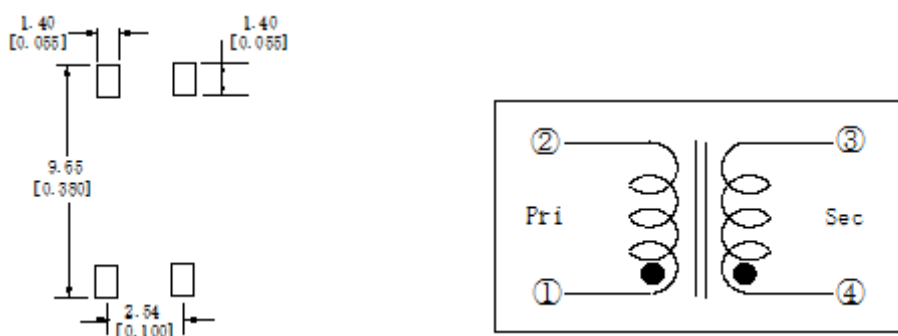
Applications

- Automotive and Industrial Applications

Dimension – mm [inch]



Recommended PCB Pad Layout - mm [inch]



Note: This specification is subject to change without notice. Please contact your nearest sales office for updated information when placing an order.

ESMIT-4180/C

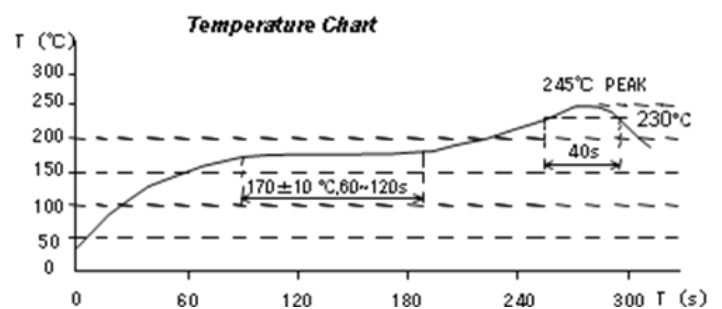
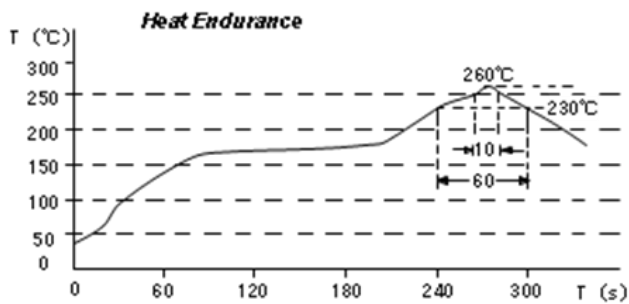
CBM5D33



Electrical Characteristics @ 25°C

PARAMETER	CONDITIONS	VALUE	UNITS	TOLERANCE
Inductance (OCL)	100 kHz, 0.01 V, (1-2)	125	μH	Min.
Inductance (OCL)	100 kHz, 0.01v , (1.2), -40°C	120	μH	Nom.
DC Resistance (DCR)	(1-2)	0.25	Ω	Max.
	(4-3)	0.25	Ω	Ma.
Dielectric Breakdown Isolation (equivalent to 1 min, 3000 Vrms)	1 sec, (1-4) Max Leakage current 0.5mA	3750	Vrms	Min.
Operating Temperature		-40 to +105	°C	Nom.

Soldering Reflow Profile





For sales office information, please [click here](#) to visit our website.

Note: This specification is subject to change without notice. Please contact your nearest sales office for updated information when placing an order.

Looking for pricing, stock, or lifecycle information?

Click below to explore more details on WIN SOURCE:

-  [View ESMIT-4180/C on WIN SOURCE](#)
-  [Sumida America Components Inc. Information](#)

Optimize Your Supply Chain with WIN SOURCE Solutions

-  Global Sourcing Solution
-  Obsolete Management
-  Cost Control Management
-  Shortage Management
-  Alternative Solution
-  Excess Inventory Management