

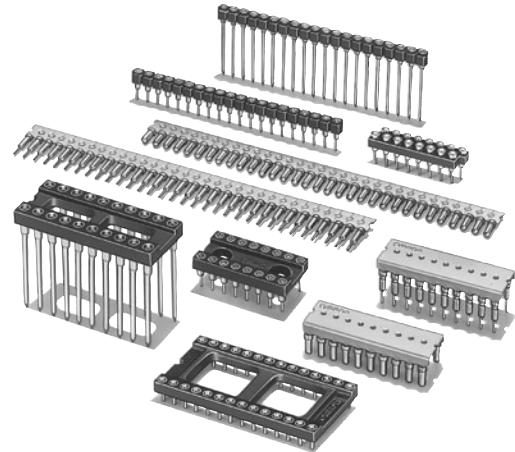


**THE DATASHEET OF  
XR2A-0815**



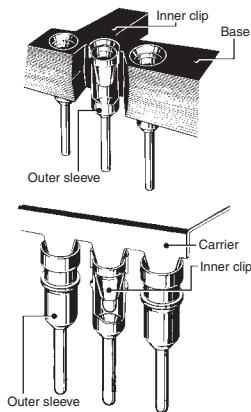
**OMRON's IC Connectors Have Excellent Reliability and Can Tolerate Momentary Interruptions in Power. Ideal for High-speed Data Processing.**

- Round pins and 4-point (4-finger) contact construction ensure long life and excellent shock and vibration durability.
- Contact entry holes are large for easy insertion.
- IC lead contacts placed high for solid connections.
- No flux rise.
- A wide product range: open-frame, closed-frame, single-row, carrier-type DIP terminals, wrap terminals, solder-sleeve terminals, and low-profile DIP terminals.
- A new tin-plated product series offers more choice when it comes to selecting the optimum IC Socket for an application.
- Conform to UL standards (file no. E 103202).

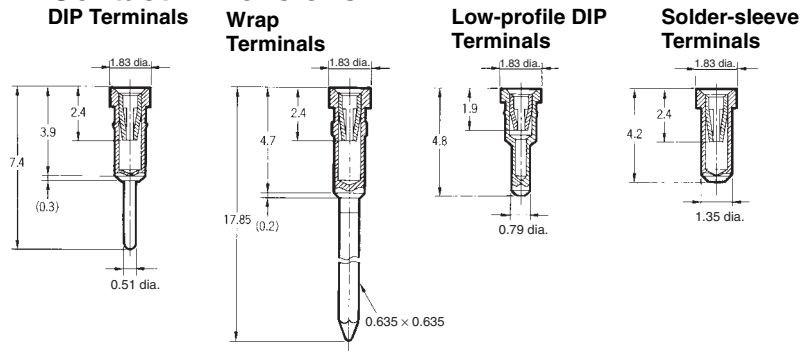


**RoHS Compliant**

### ■ Construction



### ■ Contact Dimensions



### ■ Terminology

#### ● Carrier type

Carrier type refers to products where only terminals are mounted by removing the carrier after mounting on the board.

#### ● Solder sleeve type

Solder sleeve type refers to products with a board mounting height of 0.8 mm that can be used in locations with height restrictions.

## ■ Ratings and Characteristics

| Item                          | Gold plated   | Gold flash plated             |
|-------------------------------|---|-------------------------------|
| Rated current                 | 1 A   |                               |
| Rated voltage                 | 300 VAC   |                               |
| Contact resistance            | 20 mΩ max. (at 20 mV, 100 mA max.)                                |                               |
| Insulation resistance         | 1,000 MΩ min. (at 500 VDC)  |                               |
| Dielectric strength           | 1,000 VAC for 1 min (leakage current: 1 mA max.)                  |                               |
| Insertion force (See note.)   | 3.92 N max.   |                               |
| Removal force (See note.)     | 0.64 N min.   |                               |
| Insertion durability          | 100 times (0.75-μm gold plating), 50 times (0.25-μm gold plating) | 20 times (gold flash plating) |
| Ambient operating temperature | Operating: - 55 to 125°C (with no icing)                          |                               |

**Note:** The contact insertion force and contact removal force are for a test gauge, t = 0.432 mm.

## ■ Materials and Finish

|              |   |
|--------------|---|
| Base         | Fiber-glass reinforced PBT resin (UL94V-0)/ black   |
| Carrier      | Aluminum  |
| Inner clip   | Beryllium copper/nickel base, gold plated<br>Beryllium copper/nickel base, gold flash plating |
| Outer sleeve | Brass/nickel base, gold flash plating   |

**Note:** For non-standard plating, contact your OMRON representative.

## ■ Applicable Wrap Post Wire Sizes

AWG30, AWG28, AWG26, AWG24  
(Solid wire: 0.25 to 0.51 mm dia.)

## ■ Wrap Post Length

3 wires

## ■ Applicable IC Lead Dimensions

### DIP, Wrap, and Solder-sleeve Terminals

|            | Depth × width (mm)                    |                |
|------------|---------------------------------------|----------------|
| Flat lead  | 0.29 ±0.09 × 0.46 ±0.08 (See note 1.) |                |
| Round lead | 0.53 dia. max.                        | 0.41 dia. min. |

### Low-profile DIP Terminals

|            | Depth × width (mm)                    |                |
|------------|---------------------------------------|----------------|
| Flat lead  | 0.29 ±0.09 × 0.46 ±0.08 (See note 2.) |                |
| Round lead | 0.50 dia. max.                        | 0.41 dia. min. |

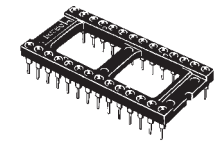
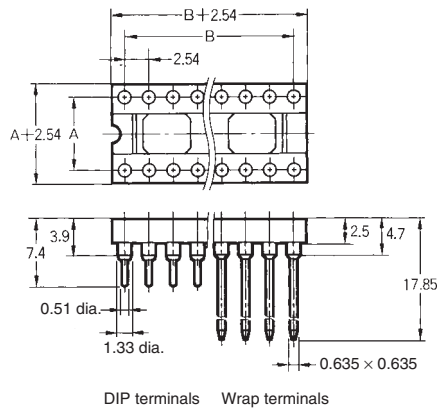
- Note:**
1. Do not use wire where the diagonal is more than 0.56 mm.
  2. Do not use wire where the diagonal is more than 0.52 mm.
  3. IC lead length of 3 mm or more (If the lead terminal is too long, the IC may rise up.)

# XR2A Open-frame Sockets

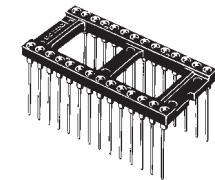
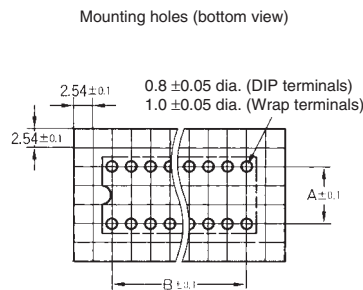
## ■ Dimensions

(unit: mm)

XR2A-□□11-N  
 XR2A-2463-N  
 XR2A-2473-N  
 XR2A-□□01-N  
 XR2A-2461-N  
 XR2A-2471-N  
 XR2A-□□21-N  
 XR2A-2467-N  
 XR2A-2477-N  
 (With DIP terminals)



XR2A-□□02  
 (With wrap terminals)



## Dimensions

| No. of contacts  | Dimensions (mm) |       |
|------------------|-----------------|-------|
|                  | A               | B     |
| 8                | 7.62            | 7.62  |
| 14               | 7.62            | 15.24 |
| 16               | 7.62            | 17.78 |
| 18               | 7.62            | 20.32 |
| 20               | 7.62            | 22.86 |
| 22               | 10.16           | 25.40 |
| 24 (See note 1.) | 15.24           | 27.94 |
| 24 (See note 2.) | 10.16           | 27.94 |
| 24 (See note 3.) | 7.62            | 27.94 |
| 28               | 15.24           | 33.02 |
| 32               | 15.24           | 38.10 |
| 40               | 15.24           | 48.26 |
| 42               | 15.24           | 50.80 |
| 48               | 15.24           | 58.42 |
| 50               | 22.86           | 60.96 |
| 64               | 22.86           | 78.74 |

- Note:**
1. XR2A-2401-N/XR2A-2402/  
XR2A-2411N/XR2A-2421-N
  2. XR2A-2461-N/XR2A-2463-N/  
XR2A-2467-N
  3. XR2A-2471-N/XR2A-2473-N/  
XR2A-2477-N

## ■ Ordering Information

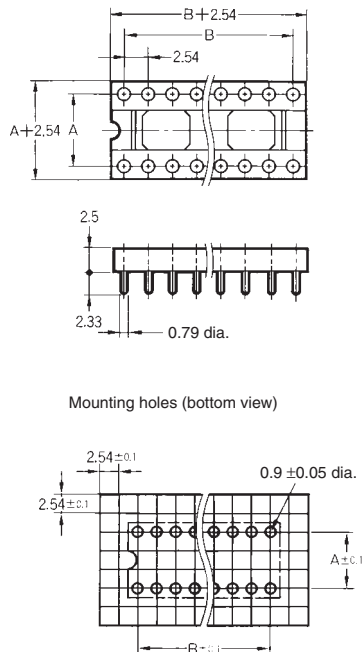
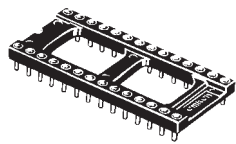
| Appearance     |                    | Sockets with DIP terminals      |                                 |                         | Sockets with wrap terminals     |
|----------------|--------------------|---------------------------------|---------------------------------|-------------------------|---------------------------------|
| No of contacts | Row pitch (A) (mm) | Sockets with DIP terminals      |                                 |                         | Sockets with wrap terminals     |
|                |                    | With 0.25- $\mu$ m gold plating | With 0.75- $\mu$ m gold plating | With gold flash plating | With 0.75- $\mu$ m gold plating |
| 8              | 7.62               | XR2A-0811-N                     | XR2A-0801-N                     | XR2A-0821-N             | XR2A-0802                       |
| 14             | 7.62               | XR2A-1411-N                     | XR2A-1401-N                     | XR2A-1421-N             | XR2A-1402                       |
| 16             | 7.62               | XR2A-1611-N                     | XR2A-1601-N                     | XR2A-1621-N             | XR2A-1602                       |
| 18             | 7.62               | XR2A-1811-N                     | XR2A-1801-N                     | XR2A-1821-N             | XR2A-1802                       |
| 20             | 7.62               | XR2A-2011-N                     | XR2A-2001-N                     | XR2A-2021-N             | XR2A-2002                       |
| 22             | 10.16              | XR2A-2211-N                     | XR2A-2201-N                     | XR2A-2221-N             | XR2A-2202                       |
| 24             | 15.24              | XR2A-2411-N                     | XR2A-2401-N                     | XR2A-2421-N             | XR2A-2402                       |
| 24             | 10.16              | XR2A-2463-N                     | XR2A-2461-N                     | XR2A-2467-N             | ---                             |
| 24             | 7.62               | XR2A-2473-N                     | XR2A-2471-N                     | XR2A-2477-N             | XR2A-2472                       |
| 28             | 15.24              | XR2A-2811-N                     | XR2A-2801-N                     | XR2A-2821-N             | XR2A-2802                       |
| 32             | 15.24              | XR2A-3211-N                     | XR2A-3201-N                     | XR2A-3221-N             | XR2A-3202                       |
| 40             | 15.24              | XR2A-4011-N                     | XR2A-4001-N                     | XR2A-4021-N             | XR2A-4002                       |
| 42             | 15.24              | XR2A-4211-N                     | XR2A-4201-N                     | XR2A-4221-N             | XR2A-4202                       |
| 48             | 15.24              | XR2A-4811-N                     | XR2A-4801-N                     | ---                     | XR2A-4802                       |
| 50             | 22.86              | XR2A-5011-N                     | XR2A-5001-N                     | ---                     | ---                             |
| 64             | 22.86              | XR2A-6411-N                     | XR2A-6401-N                     | ---                     | XR2A-6402                       |

# XR2A Open-frame Sockets (with Low-profile DIP Terminals)

## ■ Dimensions

(unit: mm)

XR2A-□□15  
 XR2A-2466  
 XR2A-2476  
 XR2A-□□05  
 XR2A-2465  
 XR2A-2475  
 XR2A-□□25  
 XR2A-2468  
 XR2A-2478  
 (With low-profile DIP terminals)



## Dimensions

| No. of contacts  | Dimensions (mm) |       |
|------------------|-----------------|-------|
|                  | A               | B     |
| 8                | 7.62            | 7.62  |
| 14               | 7.62            | 15.24 |
| 16               | 7.62            | 17.78 |
| 18               | 7.62            | 20.32 |
| 20               | 7.62            | 22.86 |
| 22               | 10.16           | 25.40 |
| 24 (See note 1.) | 15.24           | 27.94 |
| 24 (See note 2.) | 10.16           | 27.94 |
| 24 (See note 3.) | 7.62            | 27.94 |
| 28               | 15.24           | 33.02 |
| 32               | 15.24           | 38.10 |
| 40               | 15.24           | 48.26 |
| 42               | 15.24           | 50.80 |
| 48               | 15.24           | 58.42 |
| 64               | 22.86           | 78.74 |


- Note: 1.** XR2A-2415/XR2A-2405/XR2A-2425  
**2.** XR2A-2466/XR2A-2465/XR2A-2468  
**3.** XR2A-2476/XR2A-2475/XR2A-2478

## ■ Ordering Information

| Appearance      |                    | Sockets with DIP terminals      |                                 |                         |
|-----------------|--------------------|---------------------------------|---------------------------------|-------------------------|
| No. of contacts | Row pitch (A) (mm) |                                 |                                 |                         |
|                 |                    | With 0.25- $\mu$ m gold plating | With 0.75- $\mu$ m gold plating | With gold flash plating |
| 8               | 7.62               | XR2A-0815                       | XR2A-0805                       | XR2A-0825               |
| 14              | 7.62               | XR2A-1415                       | XR2A-1405                       | XR2A-1425               |
| 16              | 7.62               | XR2A-1615                       | XR2A-1605                       | XR2A-1625               |
| 18              | 7.62               | XR2A-1815                       | XR2A-1805                       | XR2A-1825               |
| 20              | 7.62               | XR2A-2015                       | XR2A-2005                       | XR2A-2025               |
| 22              | 10.16              | XR2A-2215                       | XR2A-2205                       | XR2A-2225               |
| 24              | 15.24              | XR2A-2415                       | XR2A-2405                       | XR2A-2425               |
| 24              | 10.16              | XR2A-2466                       | XR2A-2465                       | XR2A-2468               |
| 24              | 7.62               | XR2A-2476                       | XR2A-2475                       | XR2A-2478               |
| 28              | 15.24              | XR2A-2815                       | XR2A-2805                       | XR2A-2825               |
| 32              | 15.24              | XR2A-3215                       | XR2A-3205                       | XR2A-3225               |
| 40              | 15.24              | XR2A-4015                       | XR2A-4005                       | XR2A-4025               |
| 42              | 15.24              | XR2A-4215                       | XR2A-4205                       | ---                     |
| 48              | 15.24              | XR2A-4815                       | XR2A-4805                       | ---                     |
| 64              | 22.86              | XR2A-6415                       | XR2A-6405                       | ---                     |

## Looking for pricing, stock, or lifecycle information?

Click below to explore more details on WIN SOURCE:

 [View XR2A-0815 on WIN SOURCE](#)

 [Omron Information](#)

## Optimize Your Supply Chain with WIN SOURCE Solutions

-  Global Sourcing Solution
-  Obsolete Management
-  Cost Control Management
-  Shortage Management
-  Alternative Solution
-  Excess Inventory Management