

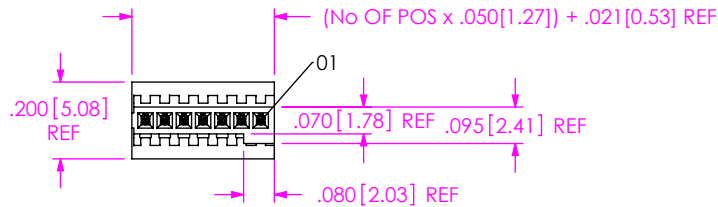


**THE DATASHEET OF
SFSST-25-28-G-60.00-D-NDS**



DO NOT SCALE FROM THIS PRINT

SFSSX-XX-XXX-XX-XX.XX-XX-XXX



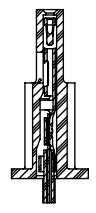
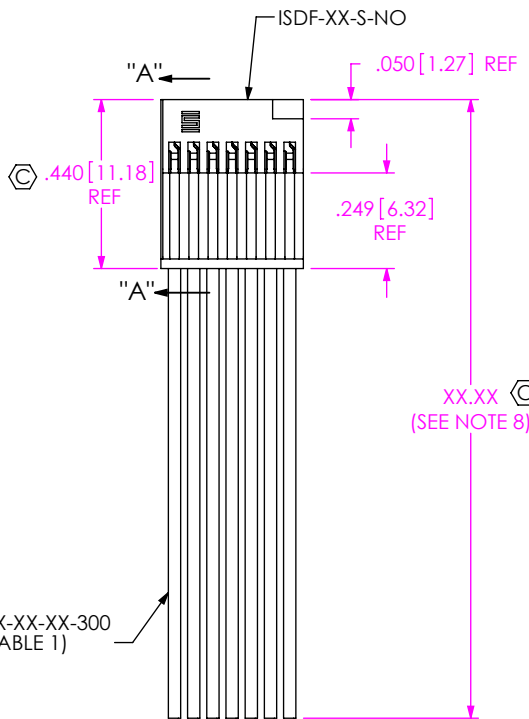
FEP CABLE OPTION
 -T: FEP INSULATION
 LEAVE BLANK FOR STANDARD
 PVC INSULATION
 (SEE NOTE 11)
 No. OF POSITIONS
 -02 THRU -50
 WIRE GAUGE (AWG)
 -28
 -30
 COLOR CODE:
 LEAVE BLANK FOR ALL BLACK WIRE
 C: COLOR CODED WIRE, SEE TABLE
 2, SHEET 4 (NOT AVAILABLE FOR TEFLON OPTION,
 TEFLON CABLE ONLY AVAILABLE IN BLUE)

-NXX OPTION (END 2)
 (ONLY AVAILABLE WITH -D, -DR)
 -NUS: NOTCH UP, STRAIGHT
 (PIN 1 TO PIN N)
 -NDS: NOTCH DOWN, STRAIGHT
 (PIN 1 TO PIN 1)
 -NUS: NOTCH UP
 (PIN 1 TO PIN 1)
 -NDX: NOTCH DOWN
 (PIN 1 TO PIN N)

END OPTION
 (END OPTION COMBINATIONS NOT AVAILABLE)
 -S: SINGLE END
 -D: DOUBLE END
 (MUST CHOOSE FROM -NXX OPTIONS)
 -SR: SINGLE ENDED WITH RETENTION LATCH
 (SEE SHEET 4, FIG 3)
 (ONLY AVAILABLE ON -02 THRU -50 POS)
 -DR: DOUBLE ENDED WITH RETENTION LATCH
 (SEE SHEET 4, FIG 4)
 (ONLY AVAILABLE ON -02 THRU -50 POS)
 (MUST CHOOSE FROM -NXX OPTIONS)

ASSEMBLED LENGTH
 SPECIFY IN INCHES
 (SINGLE END: 03.00 INCH [76.2mm]
 MINIMUM,
 DOUBLE END: 03.25 INCH [82.6mm]
 MINIMUM)

PLATING SPECIFICATION
 (VALUES GIVEN ARE IN MICRO INCHES)
 -H: HEAVY GOLD, 30 Au / 50 Ni MIN ON
 CONTACT, 3 Au / 50 Ni MIN ON TAIL
 -G: GOLD, 10 Au / 50 Ni MIN ON
 CONTACT, 3 Au / 50 Ni MIN ON TAIL
 -F: FLASH SELECTIVE, 3 Au / 50 Ni MIN ON
 CONTACT, 3 Au / 50 Ni MIN ON TAIL
 ** -GF: FLASH SELECTIVE, 3 Au / 50 Ni MIN ON
 CONTACT, 3 Au / 50 Ni MIN ON TAIL
 (SEE TABLE 2, SHEET 4)
 **: -GF ONLY AVAILABLE TO
 EXISTING CUSTOMERS
 SEE -F PLATING



SECTION "A"- "A"

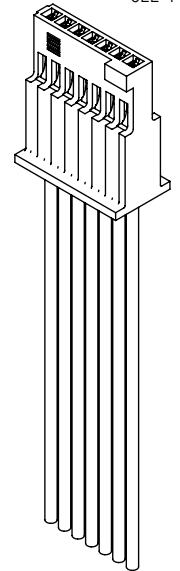


FIG 2
 -D: DOUBLE END
 (SFSSX-07-28-X-XX.XX-D-NUS SHOWN)
 (SAME AS FIG 1, UNLESS OTHERWISE STATED)

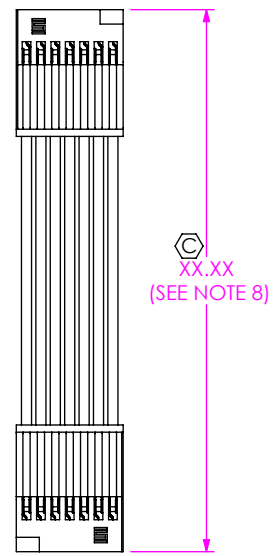


FIG 1
 -S: SINGLE END
 (SFSSX-07-28-X-XX.XX-S SHOWN)

TABLE 1		
SERIES	WIRE GAUGE	DWCX-XX-XX-300
SFSS-XX-XXX-XX-XX.XX-XX-XXX	28 AWG	DWC-28-XX-300
SFSS-XX-XXX-XX-XX.XX-XX-XXX	30 AWG	DWC-30-XX-300
SFSST-XX-XXX-XX-XX.XX-XX-XXX	28 AWG	DWCT-28-XX-TC
SFSST-XX-XXX-XX-XX.XX-XX-XXX	30 AWG	DWCT-30-XX-TC

- NOTES:
1. © REPRESENTS A CRITICAL DIMENSION.
 2. MINIMUM PULLOUT FORCE: 3.0 LBS [13.3 N].
 3. CONTACT MUST BE INSERTED UNTIL RETENTION FEATURE LOCKS INTO PLACE.
 4. ALL FINISHED GOODS ARE TO BE ELECTRICAL TESTED INCLUDING HI-POT TEST AT 1000 VOLTS DC. AFTER FINAL ELECTRICAL TEST, MARK EACH ASSEMBLY PER INSTRUCTIONS REFERENCED IN CO-{AD-ID}-WI-3092-M.
 5. TINNED COPPER WIRE IS RoHS COMPLIANT.
 6. NOTE DELETED.
 7. END OF DISCRETE WIRE MUST BE IN THE RANGE AFTER CRIMP.
 8. FOR LENGTHS LESS THAN 12 in, TOLERANCE SHALL BE +/- .125.
 9. FOR OTHER LENGTHS, TOLERANCE SHALL BE +/- 2%.
 10. REFER TO CRIMP SPECIFICATIONS PRINT FOR CRIMP AND STRIP DIMENSIONS, TOLERANCES, TOOLING, AND ITS REQUIREMENTS.
 11. NOTE DELETED.
 12. -TC TEFLON USE FOR DOUBLE ENDED ASSEMBLIES ONLY, ALL SINGLE ENDED ASSEMBLIES USE SILVER PLATED DWCT-XX-01.
 13. SEE PACKAGING MANUAL FOR PACKAGING DETAILS.

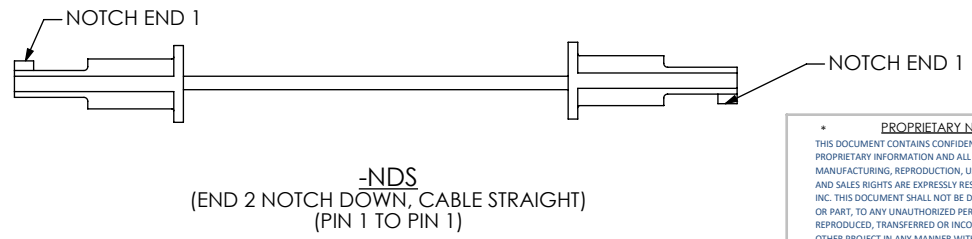
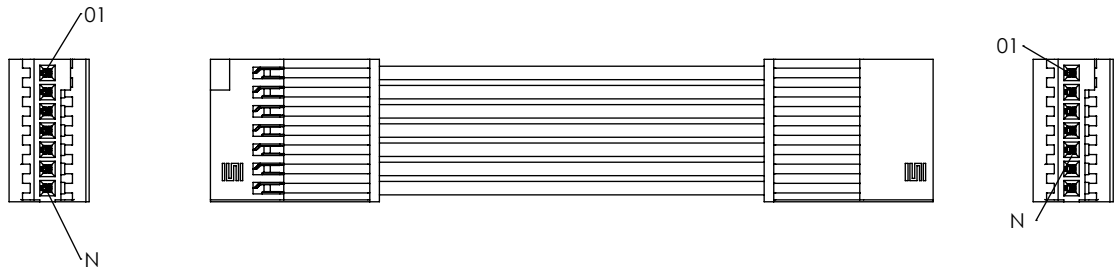
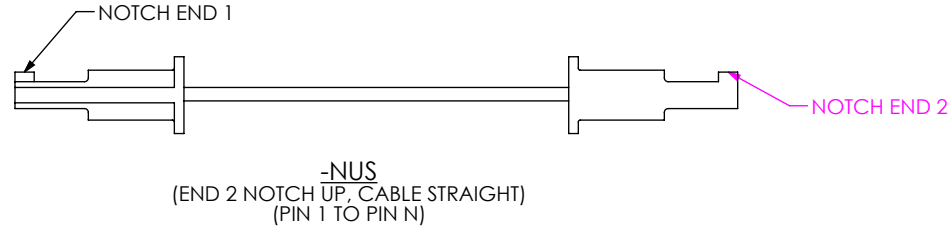
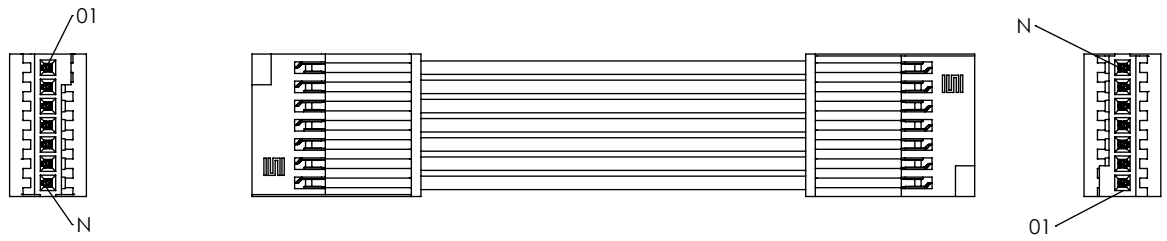
UNLESS OTHERWISE SPECIFIED, DIMENSIONS ARE IN INCHES.
 TOLERANCES ARE:
 DECIMALS ANGLES
 .XX: ±.01 [.3] 2°
 .XXX: ±.005 [.13]
 .XXXX: ±.0020 [.051]

PROPRIETARY NOTE
 THIS DOCUMENT CONTAINS CONFIDENTIAL AND PROPRIETARY INFORMATION AND ALL DESIGN, MANUFACTURING, REPRODUCTION, USE, PATENT RIGHTS AND SALES RIGHTS ARE EXPRESSLY RESERVED BY SAMTEC, INC. THIS DOCUMENT SHALL NOT BE DISCLOSED, IN WHOLE OR PART, TO ANY UNAUTHORIZED PERSON OR ENTITY NOR REPRODUCED, TRANSFERRED OR INCORPORATED IN ANY OTHER PROJECT IN ANY MANNER WITHOUT THE EXPRESS WRITTEN CONSENT OF SAMTEC, INC.

MATERIAL: DO NOT SCALE DRAWING SHEET SCALE: 2:1
 INSULATOR: LCP, COLOR: BLACK
 CONTACT: BeCu
 CABLE INSULATION: PVC OR FEP
 WIRE: DWC: TINNED COPPER, DWCT: TIN PLATED COPPER (SEE TABLE 1)
 F:\DWG\MISC\MKTG\SFSSX-XX-XXX-XX-XX.XX-XX-XXX-MKTSLDDRW

520 PARK EAST BLVD, NEW ALBANY, IN 47150
 PHONE: 812-944-6733 FAX: 812-948-5047
 e-Mail info@SAMTEC.com code 55322

DESCRIPTION:
 .050[1.27] SOCKET DISCRETE CABLE ASSEMBLY
 DWG. NO.
SFSSX-XX-XXX-XX-XX.XX-XX-XXX
 BY: GAYNOR 6/12/2008 SHEET 1 OF 4



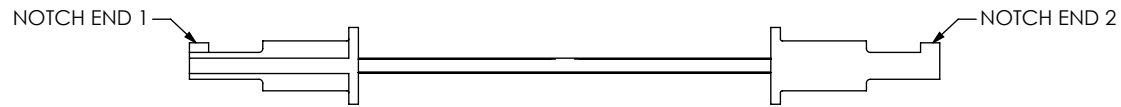
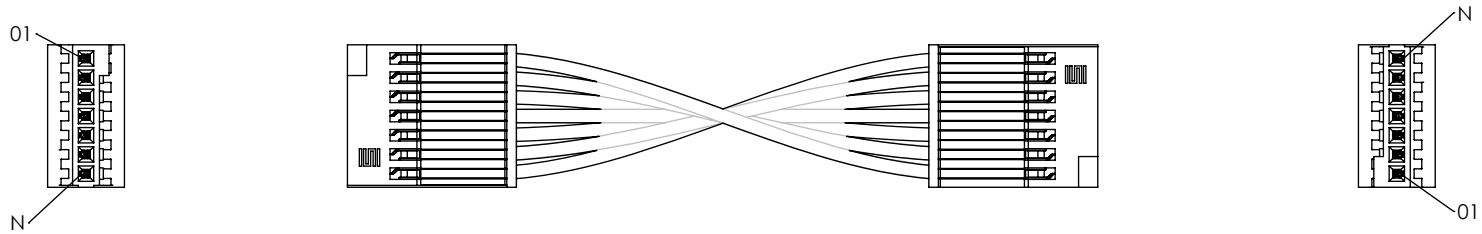
PROPRIETARY NOTE
 * THIS DOCUMENT CONTAINS CONFIDENTIAL AND PROPRIETARY INFORMATION AND ALL DESIGN, MANUFACTURING, REPRODUCTION, USE, PATENT RIGHTS AND SALES RIGHTS ARE EXPRESSLY RESERVED BY SAMTEC, INC. THIS DOCUMENT SHALL NOT BE DISCLOSED, IN WHOLE OR PART, TO ANY UNAUTHORIZED PERSON OR ENTITY NOR REPRODUCED, TRANSFERRED OR INCORPORATED IN ANY OTHER PROJECT IN ANY MANNER WITHOUT THE EXPRESS WRITTEN CONSENT OF SAMTEC, INC.

DO NOT SCALE DRAWING
 SHEET SCALE: 1:0.571429

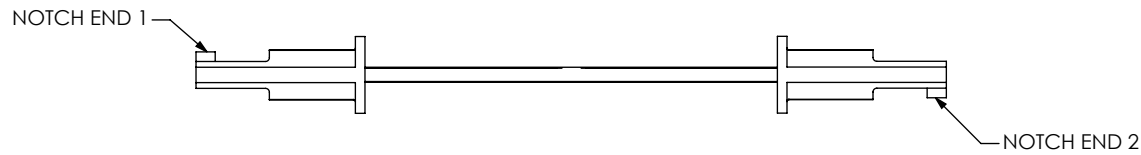
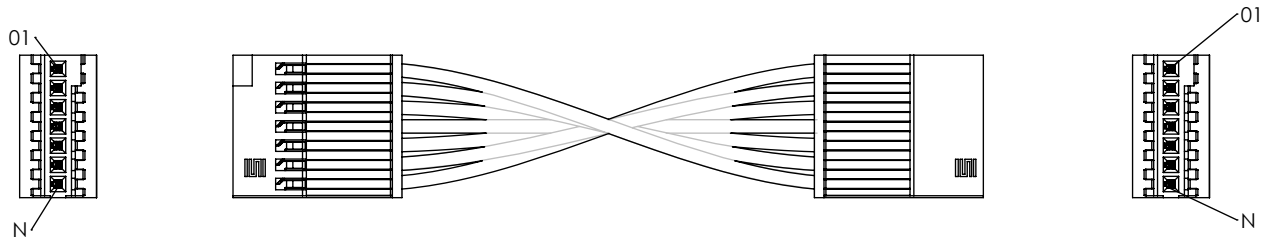


520 PARK EAST BLVD, NEW ALBANY, IN 47150
 PHONE: 812-944-6733 FAX: 812-948-5047
 e-Mail info@SAMTEC.com code 55322

DESCRIPTION:	.050[1.27] SOCKET DISCRETE CABLE ASSEMBLY
DWG. NO.	SFSSX-XX-XXX-XX-XX.XX-XX-XXX
BY:	GAYNOR 6/12/2008
	SHEET 2 OF 4



-NUX
(END 2 NOTCH UP)



-NDX
(END 2 NOTCH DOWN)

F:\DWG\MISC\MKTG\SFSSX-XX-XXX-XX-XX.XX-XXX-MKT.SLDDRW

PROPRIETARY NOTE
 * THIS DOCUMENT CONTAINS CONFIDENTIAL AND PROPRIETARY INFORMATION AND ALL DESIGN, MANUFACTURING, REPRODUCTION, USE, PATENT RIGHTS AND SALES RIGHTS ARE EXPRESSLY RESERVED BY SAMTEC, INC. THIS DOCUMENT SHALL NOT BE DISCLOSED, IN WHOLE OR PART, TO ANY UNAUTHORIZED PERSON OR ENTITY NOR REPRODUCED, TRANSFERRED OR INCORPORATED IN ANY OTHER PROJECT IN ANY MANNER WITHOUT THE EXPRESS WRITTEN CONSENT OF SAMTEC, INC. *

DO NOT SCALE DRAWING

SHEET SCALE: 2:1



520 PARK EAST BLVD, NEW ALBANY, IN 47150
 PHONE: 812-944-6733 FAX: 812-948-5047
 e-Mail info@SAMTEC.com code 55322

DESCRIPTION: .050[1.27] SOCKET DISCRETE CABLE ASSEMBLY	
DWG. NO. SFSSX-XX-XXX-XX-XX.XX-XX-XXX	
BY: GAYNOR 6/12/2008	SHEET 3 OF 4

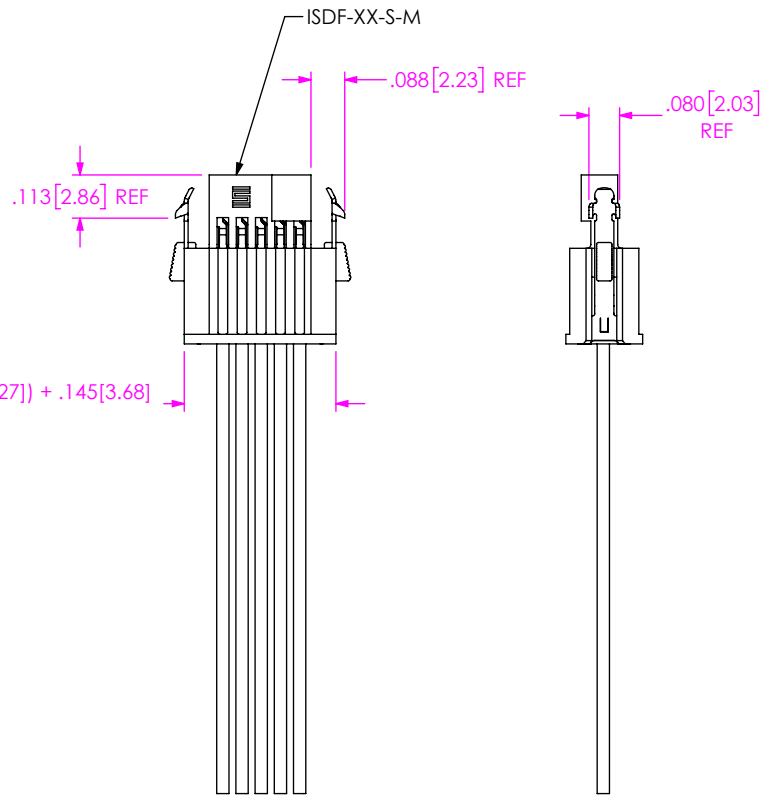


FIG 3
 -SR: SINGLE END WITH RETENTION LATCH
 (SFSSX-05-28-X-XX.XX-SR SHOWN)
 (ONLY AVAILABLE ON -02 THRU -50 POS)
 (SAME AS FIG 1, UNLESS OTHERWISE STATED)

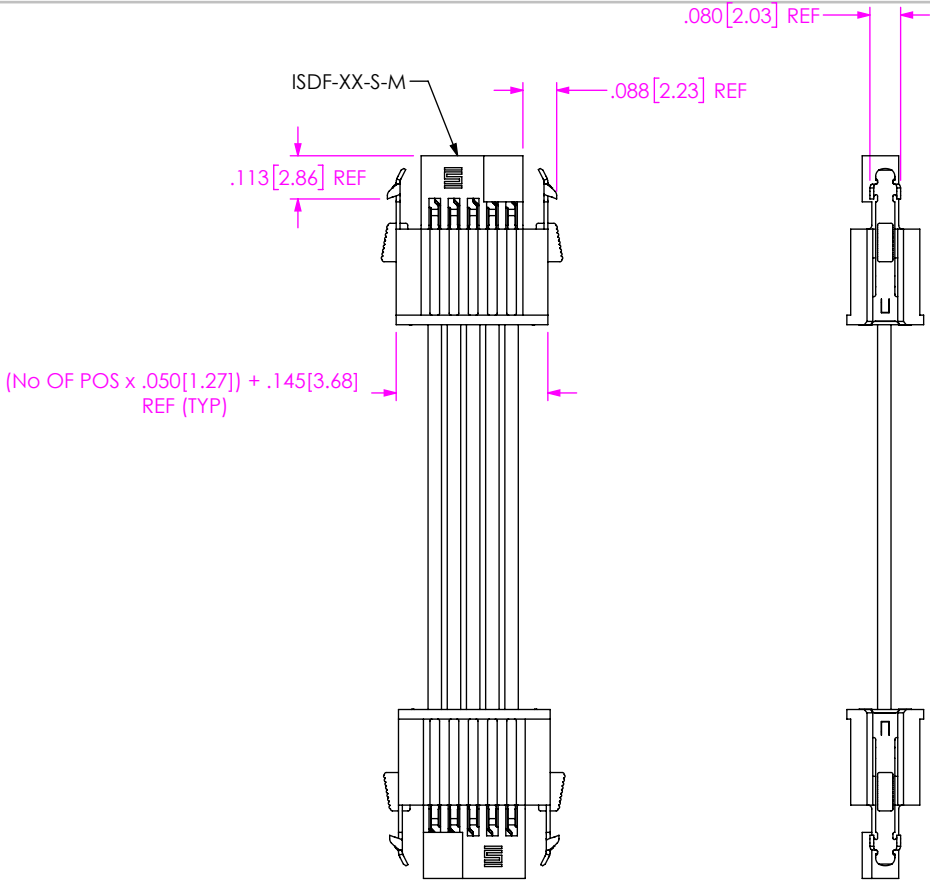


FIG 4
 -DR: DOUBLE END WITH RETENTION LATCH
 (SFSSX-05-28-X-XX.XX-DR SHOWN)
 (ONLY AVAILABLE ON -02 THRU -50 POS)
 (SAME AS FIG 1, UNLESS OTHERWISE STATED)

TABLE 2 SFSS COLOR CODED WIRE SEQUENCE										
COLOR										
	BROWN	RED	ORANGE	YELLOW	GREEN	VIOLET	GRAY	WHITE	BLACK	BLUE
	DWC-XX-01-300	DWC-XX-02-300	DWC-XX-03-300	DWC-XX-04-300	DWC-XX-05-300	DWC-XX-07-300	DWC-XX-08-300	DWC-XX-09-300	DWC-XX-10-300	DWC-XX-13-300
PIN #	1	2	3	4	5	6	7	8	9	10
	11	12	13	14	15	16	17	18	19	20
	21	22	23	24	25	26	27	28	29	30
	31	32	33	34	35	36	37	38	39	40
	41	42	43	44	45	46	47	48	49	50

TABLE 2: PLATING	
PLATING	CONTACT
-H	C-203-2830-H or CC03X-2830-01-H
-GF	C-203-2830-GF or CC03X-2830-01-GF
-G	C-203-2830-G or CC03X-2830-01-G
-F	C-203-2830-GF or CC03X-2830-01-GF

PROPRIETARY NOTE
 THIS DOCUMENT CONTAINS CONFIDENTIAL AND PROPRIETARY INFORMATION AND ALL DESIGN, MANUFACTURING, REPRODUCTION, USE, PATENT RIGHTS AND SALES RIGHTS ARE EXPRESSLY RESERVED BY SAMTEC, INC. THIS DOCUMENT SHALL NOT BE DISCLOSED, IN WHOLE OR PART, TO ANY UNAUTHORIZED PERSON OR ENTITY NOR REPRODUCED, TRANSFERRED OR INCORPORATED IN ANY OTHER PROJECT IN ANY MANNER WITHOUT THE EXPRESS WRITTEN CONSENT OF SAMTEC, INC.

DO NOT SCALE DRAWING

SHEET SCALE: 4:1



520 PARK EAST BLVD, NEW ALBANY, IN 47150
 PHONE: 812-944-6733 FAX: 812-948-5047
 e-Mail info@SAMTEC.com code 55322



DESCRIPTION:
 .050 [1.27] SOCKET DISCRETE CABLE ASSEMBLY

DWG. NO.
SFSSX-XX-XXX-XX-XX.XX-XX-XXX

BY: GAYNOR 6/12/2008 SHEET 4 OF 4

Looking for pricing, stock, or lifecycle information?

Click below to explore more details on WIN SOURCE:

-  [View SFSST-25-28-G-60.00-D-NDS on WIN SOURCE](#)
-  [Samtec Inc. Information](#)

Optimize Your Supply Chain with WIN SOURCE Solutions

-  Global Sourcing Solution
-  Obsolete Management
-  Cost Control Management
-  Shortage Management
-  Alternative Solution
-  Excess Inventory Management