



**THE DATASHEET OF  
HM2102NL**

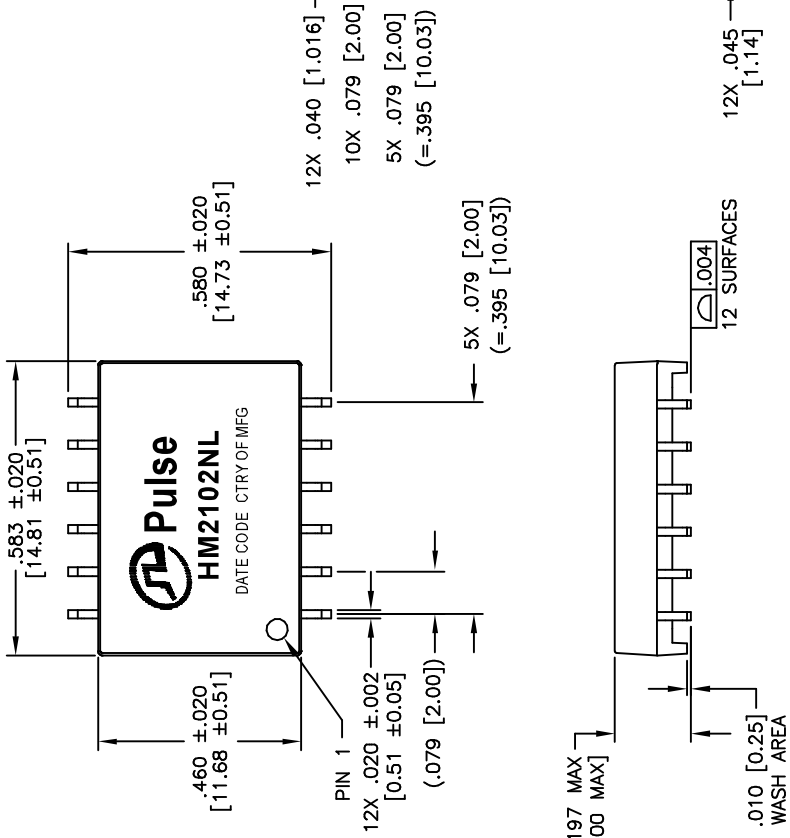




NOTES: UNLESS OTHERWISE SPECIFIED

1.	NOTICE:	THIS IS A RoHS COMPLIANT AND HALOGEN-FREE COMPONENT/PRODUCT.
	RoHS-6 HF	

- SOLDERABILITY: CONFORMS TO ANSI/J-STD-002, IPC/EIA J-STD-003A.
- OPERATING TEMPERATURE: -40°C TO +125°C
- STORAGE TEMPERATURE: -50°C TO +125°C
- JEDEC MOISTURE: LEVEL 1.
- AEC-Q200 QUALIFIED
- TO ORDER TAPE & REEL PACKAGING ADD A "T" SUFFIX TO THE PART NUMBER (ie. HM2102NL BECOMES HM2102NLT)
- UNLESS OTHERWISE SPECIFIED, ALL DIMENSIONS ARE IN INCHES. TOLERANCES ARE:  
DECIMALS  
.XX ±.01  
.XXX ±.005

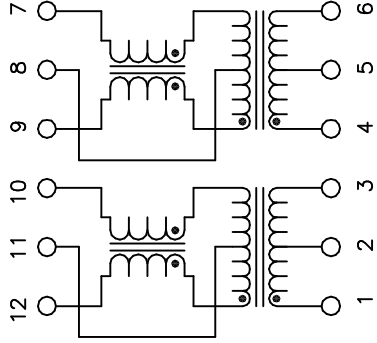
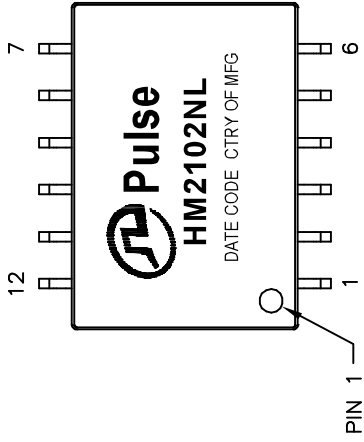


© Copyright, 2019, Pulse Electronics Corp. All rights reserved. Pulse confidential & proprietary. (11/11/19)

PRODUCT DESCRIPTION	TLA DRAWING	PS DRAWING	SHEET	PART
TRANSFORMER/CMC,DUAL,4.3kV,SMT	HM2102NL-12	PS-01527.001-A	1 OF 2	HM21

E-MAIL: PRODFINONETWORK@PULSEELECTRONICS.COM(US), ASIA@PULSEELECTRONICS.COM(Asia)

PHONE: USA: 858 674 8100, GERMANY: 49 7032 78060, SINGAPORE: 65 6287 8998, SI



SCHEMATIC

ELECTRICAL CHARACTERISTICS AT +25°C U

PARAMETER	SPI	PER
QUALIFICATION		
DESIGN CONSTRUCTION		FUNCTION
CREEPAGE DISTANCE		>
OPERATING TEMPERATURE		-40°C
TURNS RATIO	1	1
POLARITY		PEI
DC RESISTANCE	TRANSFORMER SIG	
	0.45 OHMS MAX	
INDUCTANCE (OCL) AT 100 kHz, 100 mV (-40°C TO +125°C)	150 uH M	
LEAKAGE INDUCTANCE	0.50 uH	
INSERTION LOSS	0.25 dB	
RETURN LOSS (Z OUT = 100 OHM ±1%)	20 dB	
CROSSTALK, ADJACENT CHANNELS	-50 dB	
COMMON MODE REJECTION RATIO	1-10 MHz	
	-35 dB MIN	
INPUT - OUTPUT ISOLATION	4300 VDC OR 31	
	WITH 1.0 mA M	
INSULATION RESISTANCE	400 ME	
WORKING VOLTAGE	1600 VDC	

© Copyright, 2019, Pulse Electronics Corp. All rights reserved. Pulse confidential & proprietary. (11/11/19)

PRODUCT DESCRIPTION	TLA DRAWING	PS DRAWING	SHEET	PART
TRANSFORMER/CMC,DUAL,4.3kV,SMT	HM2102NL-12	PS-01527.001-A	2 OF 2	HM21

E-MAIL: PRODINFONETWORK@PULSEELECTRONICS.COM(US), ASIA@PULSEELECTRONICS.COM(Asia)

PHONE: USA:858 674 8100, GERMANY:49 7032 78060, SINGAPORE:65 6287 8998, SI

## Looking for pricing, stock, or lifecycle information?

Click below to explore more details on WIN SOURCE:

 [View HM2102NL on WIN SOURCE](#)

 [Pulse Information](#)

## Optimize Your Supply Chain with WIN SOURCE Solutions

-  Global Sourcing Solution
-  Obsolete Management
-  Cost Control Management
-  Shortage Management
-  Alternative Solution
-  Excess Inventory Management