



**THE DATASHEET OF
PV14-14R-M**



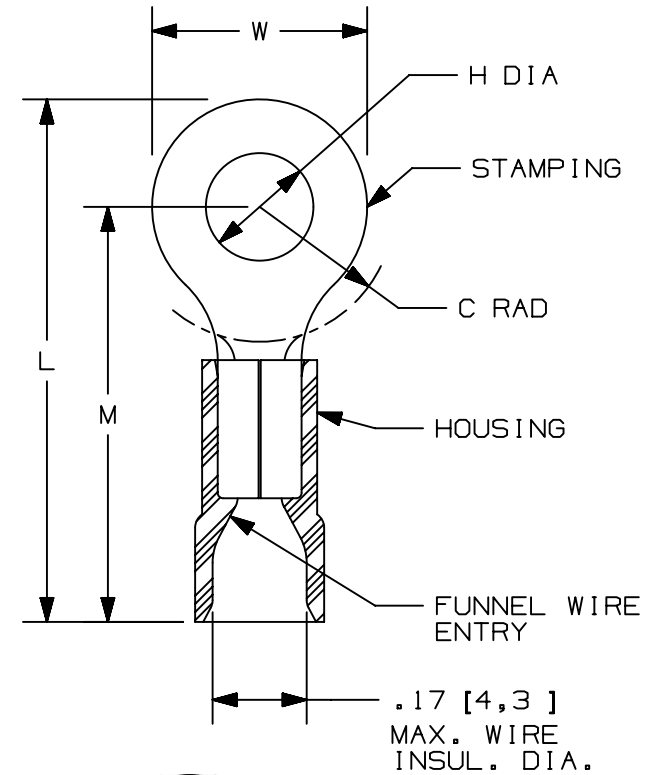
THIS COPY IS PROVIDED ON A RESTRICTED BASIS AND IS NOT TO BE USED IN ANY WAY DETRIMENTAL TO THE INTERESTS OF PANDUIT CORP.

| PANDUIT PART # | STUD SIZE | | DIMENSIONS in. [mm] | | | | |
|----------------|-----------|--------|---------------------|---------------|---------------|---------------|---------------|
| | ENGLISH | METRIC | L ± .03 [0,8] | W ± .01 [0,3] | C ± .02 [0,5] | M ± .03 [0,8] | H ± .01 [0,3] |
| PV14-4R | #4 | -- | .84 [21,3] | .25 [6,4] | .19 [4,8] | .71 [18,0] | .12 [3,1] |
| PMV2-3RB * | -- | M3 | .81 [20,5] | .23 [5,8] | .25 [6,4] | .71 [18,0] | .13 [3,3] |
| PV14-6RN | #6 | M3,5 | .84 [21,3] | .25 [6,4] | .19 [4,8] | .71 [18,0] | .15 [3,8] |
| PV14-6R | #6 | M3,5 | .92 [23,4] | .31 [7,9] | .25 [6,4] | .76 [19,3] | .15 [3,8] |
| PV14-8R | #8 | M4 | .92 [23,4] | .31 [7,9] | .25 [6,4] | .76 [19,3] | .17 [4,3] |
| PV14-10R | #10 | -- | .92 [23,4] | .31 [7,9] | .25 [6,4] | .76 [19,3] | .20 [5,1] |
| PMV2-5RB * | -- | M5 | .94 [23,9] | .35 [8,89] | .25 [6,4] | .76 [19,3] | .21 [5,3] |
| PV14-14R | 1/4" | M6 | 1.12 [28,5] | .46 [11,7] | .38 [9,7] | .89 [22,6] | .27 [6,9] |
| PV14-56R | 5/16" | M8 | 1.12 [28,5] | .46 [11,7] | .38 [9,7] | .89 [22,6] | .34 [8,6] |
| PV14-38R | 3/8" | -- | 1.21 [30,7] | .53 [13,5] | .43 [10,9] | .94 [23,9] | .40 [10,2] |
| PV14-12R | 1/2" | -- | 1.42 [36,1] | .72 [18,3] | .53 [13,5] | 1.06 [26,9] | .52 [13,2] |

* NOT UL LISTED

NOTES:

- USED FOR:
 - A. 16-14 AWG [1,5-2,5 mm²] STRANDED COPPER WIRE
 - B. 221°F [105°C] MAX. OPERATING TEMPERATURE
 - C. 600V. MAX. BLDG WIRE (1000 V. MAX. IN SIGNS, FIXTURES & LUMINAIRES)
- INSTALLATION TOOLS PANDUIT APPROVED:
 - A. UL APPROVED: CT-100A, CT-600-A (CT-550CH) CT-1550, CT-1551, CT-2500 (CT-2550CH)
 - B. PANDUIT APPROVED: CT-160, CT-260, CT-400
- WIRE STRIP LENGTH: 5/16 +1/32 [7,9 +0,8]
- MATERIAL:
 - A. STAMPING: .032" [0,8] THK COPPER, TIN PLATED
 - B. HOUSING: VINYL, BLUE
- SEE www.panduit.com FOR PACKAGE QUANTITIES INDICATED BY PART NUMBER SUFFIX
- DIMENSIONS IN BRACKETS ARE METRIC EQUIVALENT



LISTED
587H
E52164



CERTIFIED
LR31212

| | | | | |
|---|------|---|--------|--------|
| TITLE | | RING TERMINALS, 2 PC. VINYL INSULATED, #16-14 | | |
| ITEM REVISION NAME | | CUSTOMER DRAWING | | |
| DATASET FILE NAME | | N41184BA/08 | | |
| | | N41184BA_DC/08 | | |
| UNLESS OTHERWISE SPECIFIED, DIMENSIONAL TOLERANCES ARE: IN [mm] | | MATERIAL: | | |
| .x ± .1 [2,54] .xxx ± .005 [.13] | | SEE NOTES | | |
| .xx ± .01 [.25] ANGLES ± 5° | | DRAWING NUMBER: | | |
| THIRD ANGLE PROJECTION | | A41184 | | |
| DRAWN BY | DATE | CHK | SCALE | SHEET |
| FES | - | LCA | N.T.S. | 1 OF 1 |

| REV | DATE | BY | CHK | APR | DESCRIPTION | ECN |
|-----|----------|-----|-----|------|---|-----------|
| 08 | 12/13/17 | BWG | SKB | JADE | CORRECTED "M" DIMENSION FOR THE PMV2-3RB AND THE PMV2-5RB. | 019757/00 |
| 07 | 06.11.12 | BDK | LCA | VMB | ADDED PMV2-3RB & PMV2-5RB TO CHART. REVISED NOTES. UPDATED DRAWING TO CURRENT STANDARD. | A41184 |

D10100DA/12

Looking for pricing, stock, or lifecycle information?

Click below to explore more details on WIN SOURCE:

 [View PV14-14R-M on WIN SOURCE](#)

 [Panduit Corp Information](#)

Optimize Your Supply Chain with WIN SOURCE Solutions

-  Global Sourcing Solution
-  Obsolete Management
-  Cost Control Management
-  Shortage Management
-  Alternative Solution
-  Excess Inventory Management