

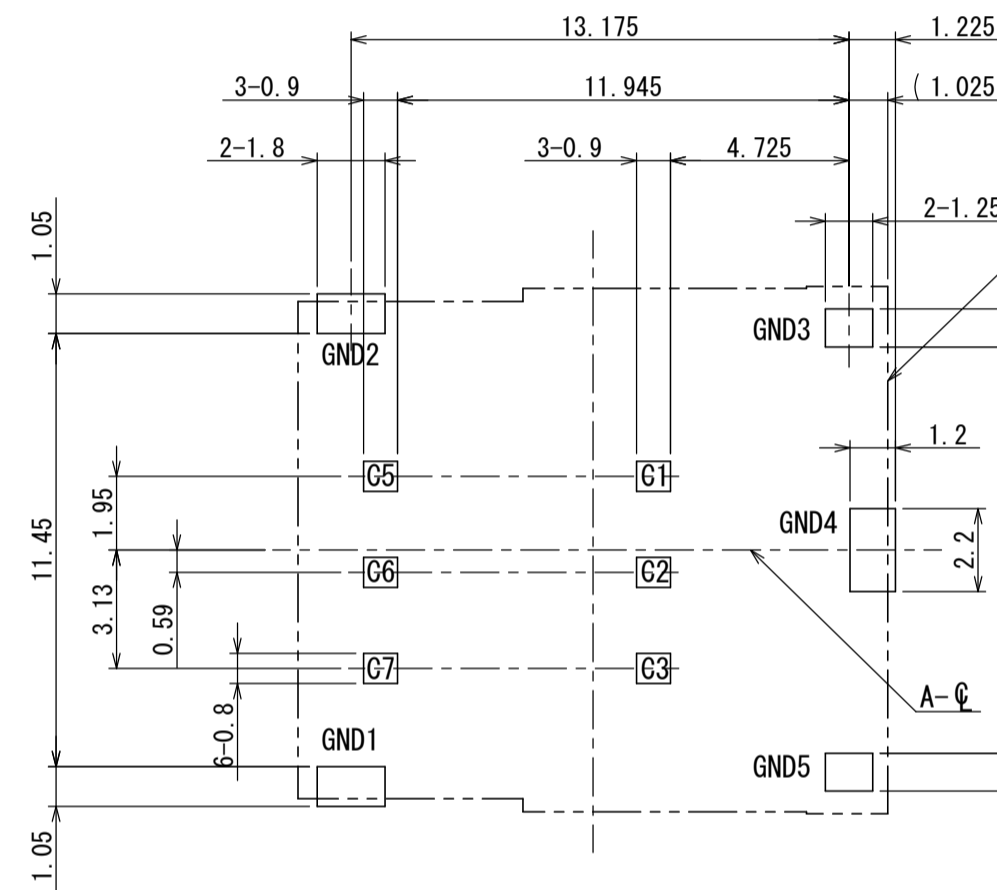
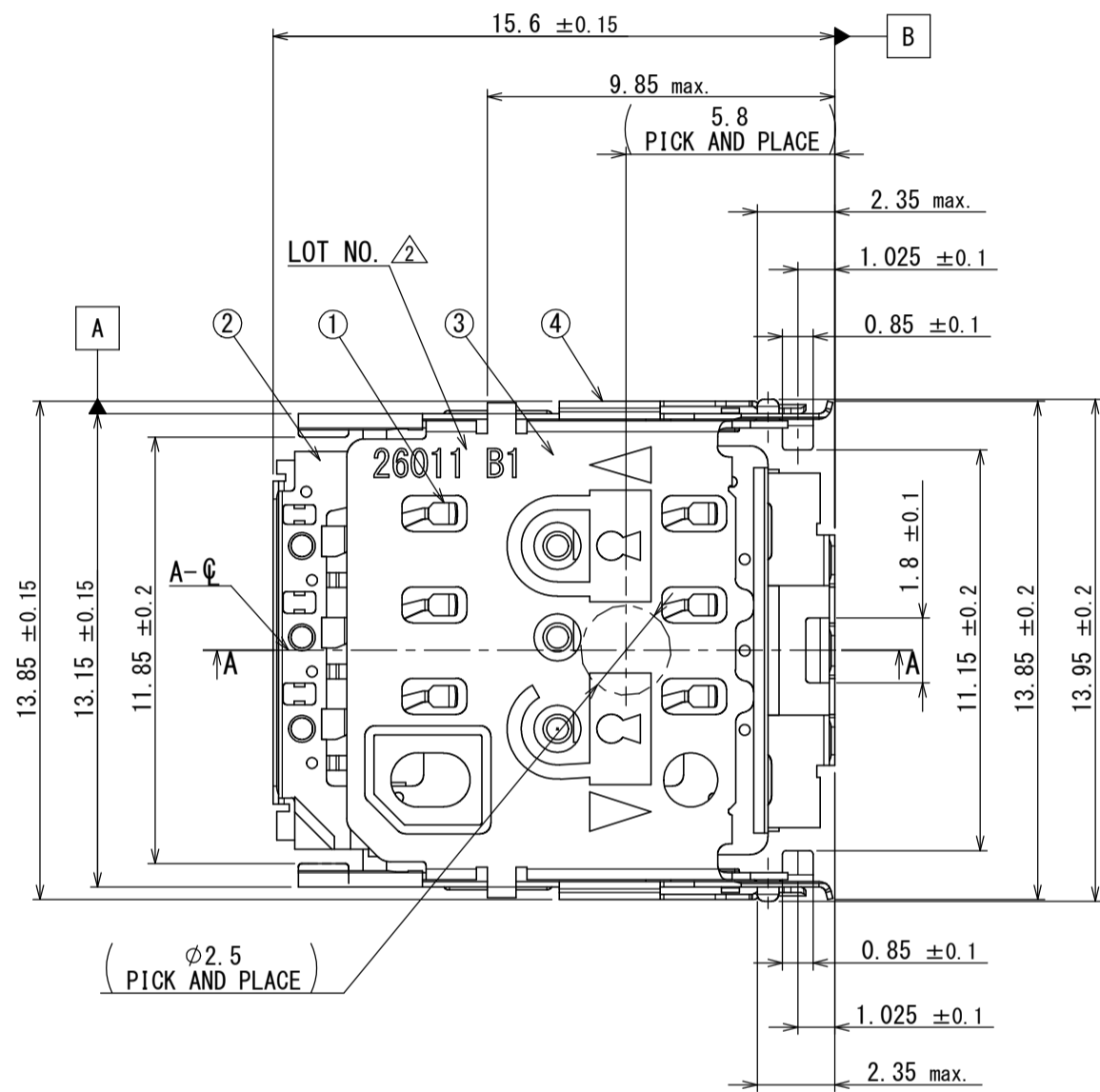
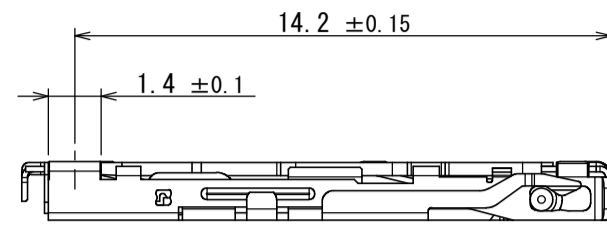
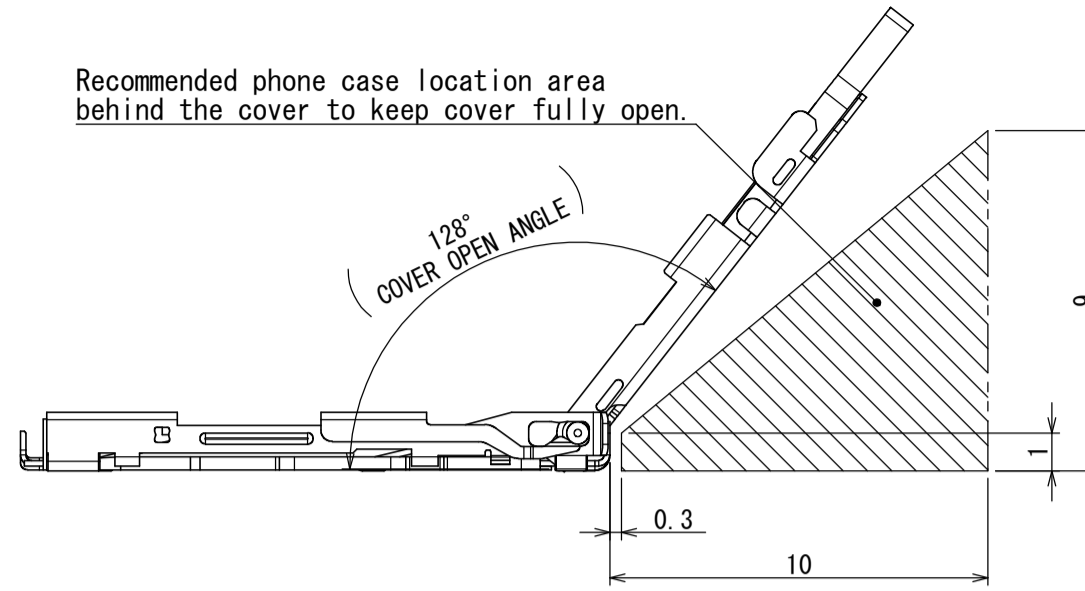


**THE DATASHEET OF  
SF15W006S4BR2000**

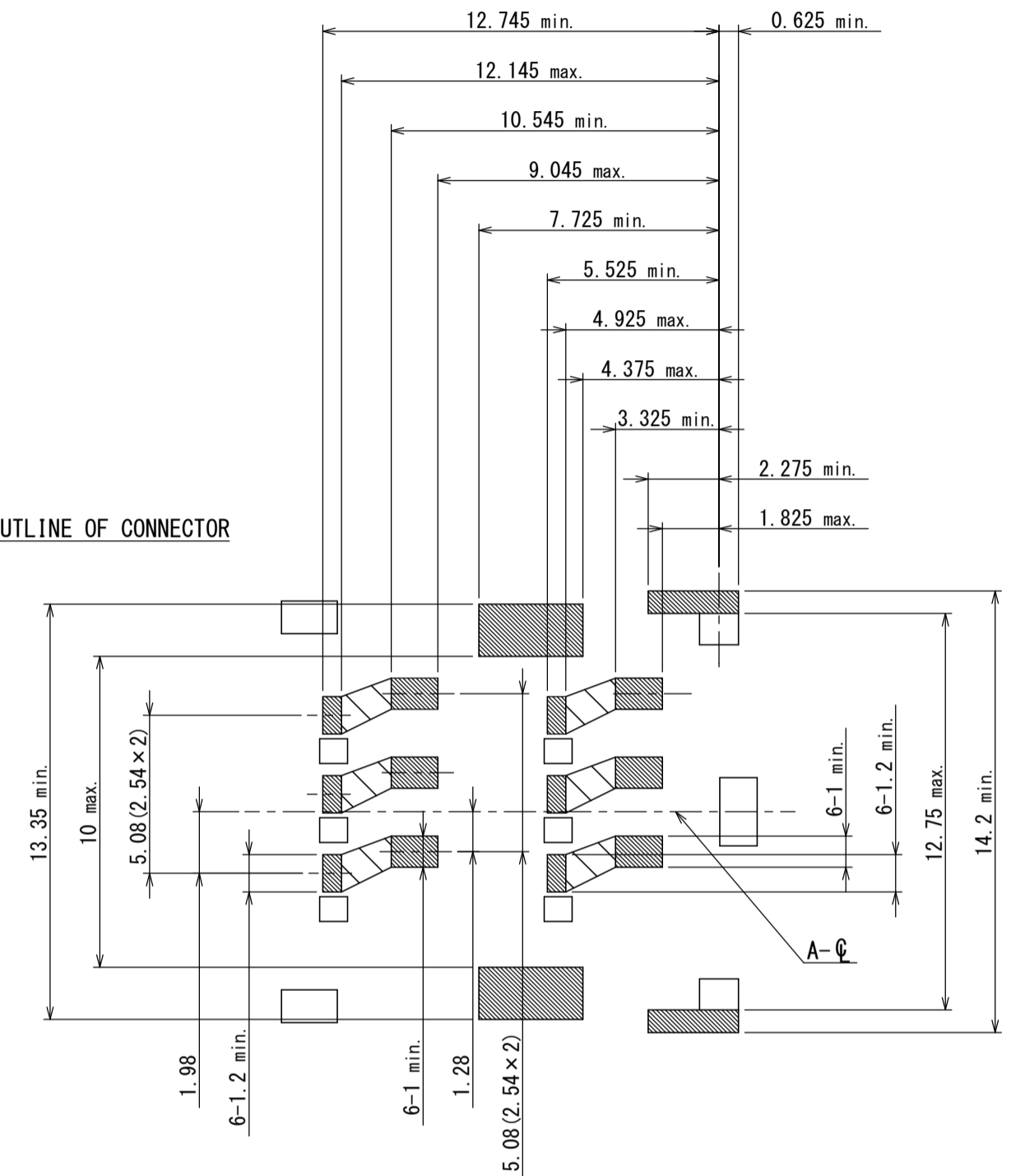


版数 VER.	年月日 DATE	図 NO.	変更内容 DESCRIPTION	製 DR.	担 CHK.	査 APPD.	承 APPD.
2	15/APR/2014	004608	ADDED DIMENSION		M. SHIMADA	-	A. NATORI

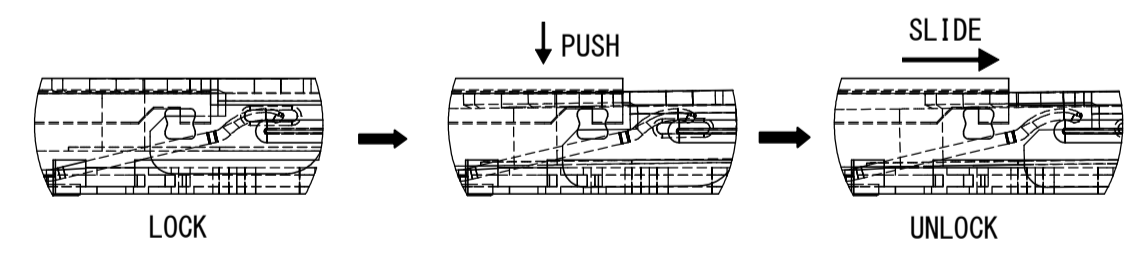
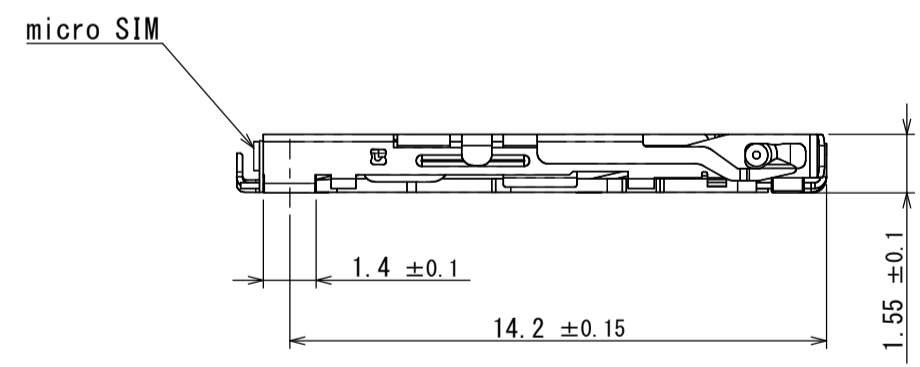
Recommended phone case location area behind the cover to keep cover fully open.



OUTLINE OF CONNECTOR



RESTRICTED AREA (No pattern and Via hole)  
All the pattern and Via holes under the connector should be coated by resist.  
APPLICABLE PWB. DIMENSION FOR RESTRICTED AND INSULATION AREA(REF.)



NOTE1. COPLANARITY 0.08mm max.  
NOTE2. LOT INFORMATION IS SHOWN AS BELOW.  
e.g. 26011

PRODUCTION LINE NO.  
PRODUCTION DATE (YMDD)

PART No.	PART NAME	TERMINAL AREA / LOCK HINGE AREA	CONTACT AREA
1	CONTACT	Au FLASH OVER Ni (1μm MIN.)	Au (0.5μm MIN.) OVER Ni (2~6μm)
4	GROUND-FRAME		-

符号 No.	名称 DESCRIPTION	個 QTY.	材 MATERIAL	仕 FINISH	備 REMARKS
4	GROUND-FRAME	1	COPPER ALLOY	TABLE 1	
3	COVER	1	STAINLESS	-	
2	HOUSING	1	GLASS FILLED LCP	-	
1	CONTACT	6	COPPER ALLOY	TABLE 1	

仕様書(SPECIFICATION) JACS-10936	第1版(ORIGINAL DATE) 01/JUN/2012	尺度(SCALE) 5:1	シリーズ(SERIES) SF15	日本航空電子工業株式会社
製 DR.	担 CHK.	名称(TITLE) SF15W006S4B		JAE JAPAN AVIATION ELECTRONICS INDUSTRY, LTD.
担 CHK.	M. SHIMADA			
査 APPD.	-			図面番号(DRAWING NO.) SJ113074
承 APPD.	A. NATORI			
質量(MASS)	単位(UNIT): mm		版数(VER.) 2	

## Looking for pricing, stock, or lifecycle information?

Click below to explore more details on WIN SOURCE:

 [View SF15W006S4BR2000](#) on WIN SOURCE

 [JAE Electronics](#) Information

## Optimize Your Supply Chain with WIN SOURCE Solutions

-  Global Sourcing Solution
-  Obsolete Management
-  Cost Control Management
-  Shortage Management
-  Alternative Solution
-  Excess Inventory Management