



**THE DATASHEET OF  
DMB-4762-TG**



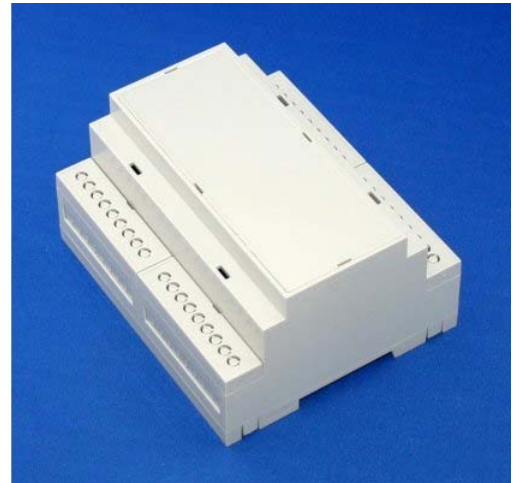
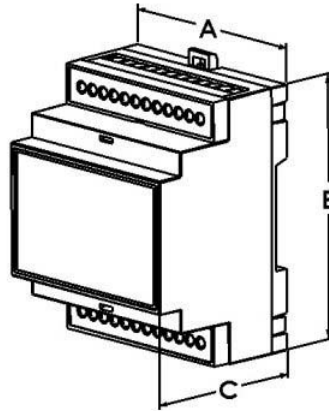


## PRODUCTS

Large Cabinet Racks  
Communications Cabinets/Racks

- ▶
- ▶
- ▶ Cabinets
- ▶ Open Racks
- ▶ Chassis
- ▶ Small Metal Enclosures
- ▶ Die Cast Boxes
- ▶ Plastic Boxes
- ▶ NEMA Boxes (Water-tight Plastic and Fiberglass)
- ▶ NEMA Boxes (Water-tight Sheet Metal)
- ▶ NEMA Boxes (Water-tight Aluminum)
- ▶ Accessories
- ▶ Brackets
- ▶ Custom Products

## DIN Rail Mount Multi-Board Box




Plastic PC mount terminal boxes with DIN rail mounting and snap-in multiple board capacity with easy access to board terminals.

### Design Features

- Durable UL94V-0 rated ABS/PC blend plastic housing
- Three levels of PC board mounting locations - PC boards not supplied
- Bottom level accepts PC board with modular type terminals on 0.2" centers
- Removable terminal guards have snap-off tabs to match number of terminals used
- Snap-fit design allows tool-less assembly of all parts including PC boards
- Snap-fit front cover is easily removable for machining or silk-screening
- Optional clear and infra red polycarbonate covers available
- Fits standard 35mm DIN rail
- Finish: Light Gray



DIN RAIL MOUNT MULTI-BOARD BOX									
Catalog Number	Drawings	Number of PCB Terminals*	External Dimensions (Inches)			Weight Ozs.	Optional Clear Front Cover	Optional Infra Red Front Cover	Replacement Terminal Guards (Pair)
			A	B	C				
DMB-4770	<a href="#">PDF</a> <a href="#">DXF</a>	12 (6/6)	1.43	3.55	2.25	1.5	DMB-4770-CC	DMB-4770-IRC	DMB-4760-TG
DMB-4771	<a href="#">PDF</a> <a href="#">DXF</a>	18 (9/9)	2.10	3.55	2.25	1.9	DMB-4771-CC	DMB-4771-IRC	DMB-4761-TG
DMB-4772	<a href="#">PDF</a> <a href="#">DXF</a>	24 (12/12)	2.80	3.55	2.26	2.3	DMB-4772-CC	DMB-4772-IRC	DMB-4762-TG
DMB-4773	<a href="#">PDF</a> <a href="#">DXF</a>	36 (9x2)/(9x2)	4.18	3.55	2.26	3.3	DMB-4773-CC	DMB-4773-IRC	DMB-4761-TG

DMB-4774		54 (9x3)/(9x3)	6.28	3.55	2.26	4.6	DMB-4774-CC	DMB-4774-IRC	DMB-4761-TG
Replacement Mounting Clip: DMB-4764-MC									
* PCB and PCB terminals not supplied.									

 Autocad DXF Specifications File  
(Requires CAD software such as AutoCAD)

 Adobe PDF Specifications File



[Download PDF Viewer](#)



4605 E. 355th Street • Willoughby, Ohio 44094  
Phone: 440.946.3200 • Fax: 440.951.4015  
email: [saleseast@budind.com](mailto:saleseast@budind.com)

[HOME](#) / [ABOUT US](#) / [PRODUCTS](#) / [DISTRIBUTORS](#) / [REPRESENTATIVES](#) / [WHAT'S NEW](#) / [CONTACT](#)  
[RoHS LIST](#) / [STANDARD COLORS](#) / [WARRANTY](#)

## Looking for pricing, stock, or lifecycle information?

Click below to explore more details on WIN SOURCE:

 [View DMB-4762-TG on WIN SOURCE](#)

 [Bud Industries](#) Information

## Optimize Your Supply Chain with WIN SOURCE Solutions

-  Global Sourcing Solution
-  Obsolete Management
-  Cost Control Management
-  Shortage Management
-  Alternative Solution
-  Excess Inventory Management