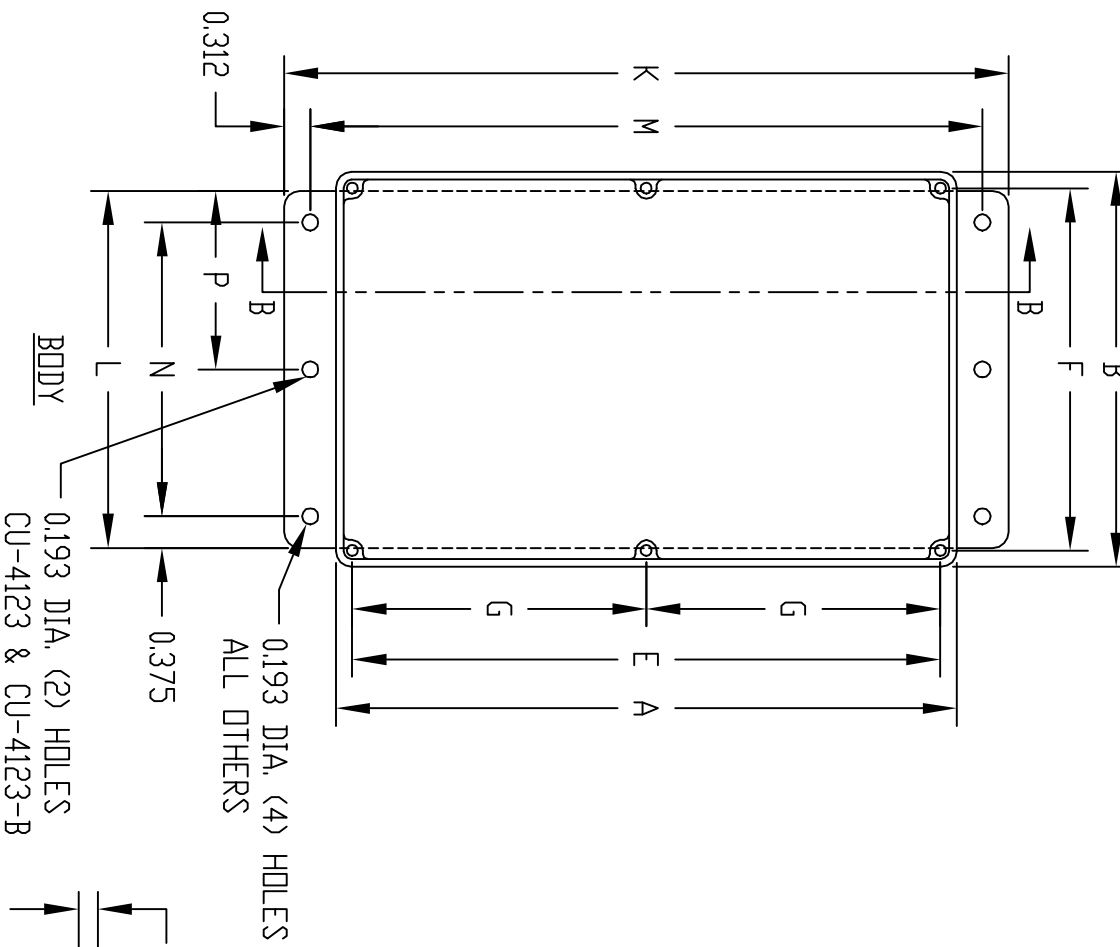
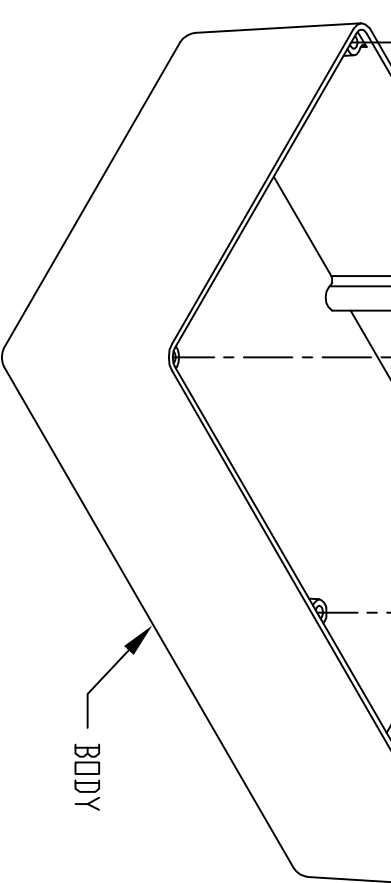


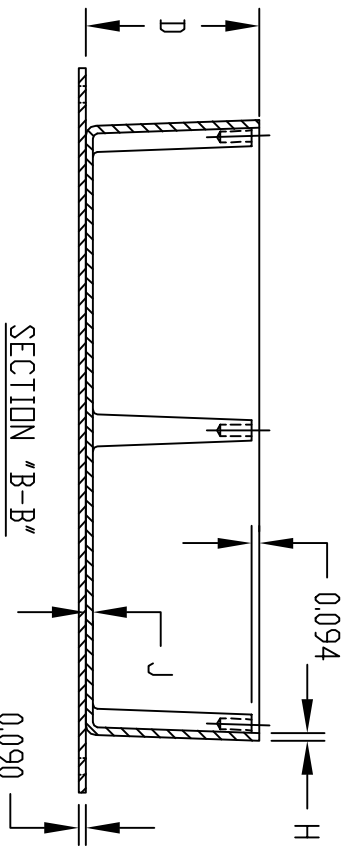
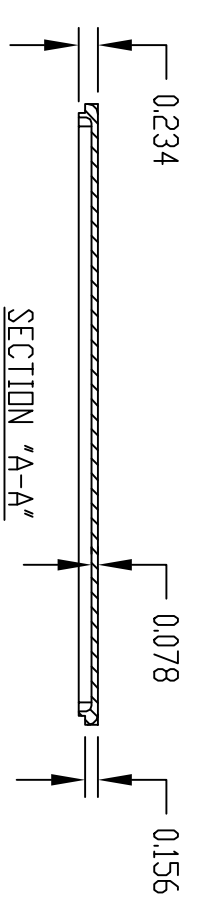
**WIN***SOURCE*  
ELECTRONICS  
**THE DATASHEET OF**  
**CU-234**





**MATERIAL:**  
ALUMINUM ALLOY #ADC-12  
**FINISH:**  
NATURAL (NO SUFFIX)  
GRAY (SUFFIX -G)  
SMOOTH BLACK (SUFFIX -B)

ALL INTERNAL FILLETS 0.062 RADIUS  
ALL INTERNAL ROUNDS 0.125 RADIUS  
ALL EXTERNAL ROUNDS 0.125 RADIUS  
ALL BOXES ASSEMBLED WITH #6-32 FLAT HD. SCREWS



PART NO. CU-4123 THRU CU-4347  
AND CU-4123-B THRU CU-4347-B  
ARE SUPPLIED WITH A WELDED ON  
MOUNTING BRACKET ONLY.

\* ASSEMBLED HEIGHT

PART NO.	PART NO.	A	B	* C	D	E	F	G	H	J	K	L	M	N	P
CU-123	CU-123-G	3.625	1.500	1.218	1.062	3.250	1.125	----	0.062	0.062	----	----	----	----	----
CU-124	CU-124-G	4.375	2.375	1.218	1.062	4.000	2.000	----	0.062	0.078	----	----	----	----	----
CU-234	CU-234-G	4.688	3.688	2.218	2.062	4.312	3.312	----	0.094	0.078	----	----	----	----	----
CU-247	CU-247-G	7.390	4.703	2.218	2.062	7.000	4.312	3.500	0.094	0.078	----	----	----	----	----
CU-347	CU-347-G	7.390	4.703	3.218	3.062	7.000	4.312	3.500	0.094	0.078	----	----	----	----	----
CU-4123	CU-4123-B	3.625	1.500	1.218	1.062	3.250	1.125	----	0.062	0.062	4.874	1.250	4.250	0.500	0.625
CU-4124	CU-4124-B	4.375	2.375	1.218	1.062	4.000	2.000	----	0.062	0.078	5.624	2.000	5.000	1.250	----
CU-4234	CU-4234-B	4.688	3.688	2.218	2.062	4.312	3.312	----	0.094	0.078	5.874	3.312	5.250	2.562	----
CU-4247	CU-4247-B	7.390	4.703	2.218	2.062	7.000	4.312	3.500	0.094	0.078	8.624	4.250	8.000	3.500	----
CU-4347	CU-4347-B	7.390	4.703	3.218	3.062	7.000	4.312	3.500	0.094	0.078	8.500	4.250	7.876	3.500	----

## Looking for pricing, stock, or lifecycle information?

Click below to explore more details on WIN SOURCE:

[View CU-234 on WIN SOURCE](#)

[Bud Industries Information](#)

## Optimize Your Supply Chain with WIN SOURCE Solutions

- ✓ Global Sourcing Solution
- ✓ Obsolete Management
- ✓ Cost Control Management
- ✓ Shortage Management
- ✓ Alternative Solution
- ✓ Excess Inventory Management