



**THE DATASHEET OF
PMSD-05-16-K-78.75-S-M**



DO NOT SCALE FROM THIS PRINT

- NOTES:
- ⊗ REPRESENTS A CRITICAL DIMENSION.
 - MAXIMUM BURR ALLOWANCE: .003[0.08]
 - PARTS TO BE MOLDED TO POSITION.
 - MINIMUM PIN PULLOUT FORCE: 5.000LB[22.24N].
 - CONTACT MUST BE INSERTED UNTIL RETENTION FEATURE LOCKS INTO PLACE.
 - FOLLOW PACKAGING MANUAL FOR PACKAGING INSTRUCTIONS.
 - AFTER THE AWG NUMBER IS THE CONTACT PLATING:
L = 10μ" GOLD PLATED, S = 30μ" GOLD PLATED, LEAVE BLANK FOR TIN PLATED.
 - ⊗ ALL PARTS TO PASS ELECTRICAL TEST UPON ASSEMBLY (INCLUDING HI-POT TEST AT 1000 VOLTS DC). AFTER FINAL ELECTRICAL TEST, MARK EACH ASSEMBLY PER INSTRUCTIONS REFERENCED IN CO-{AD-ID}-WI-3092-M.
 - APPLICATIONS INVOLVING SEVERE BENDING REQUIRE 6" MINIMUM CABLE LENGTH.
 - NOTE DELETED.
 - NOTE DELETED.
 - NOTE DELETED.
 - AVAILABLE ONLY AS AN ASO.
 - NOTE DELETED.
 - MINIMUM METAL LATCH RETENTION FORCE: 1.000LB[4.45N].
 - REFER TO CRIMP SPECIFICATIONS PRINT FOR CRIMP AND STRIP DIMENSIONS, TOLERANCES, TOOLING AND ITS REQUIREMENTS
 - FOR LENGTHS LESS THAN 12 IN, TOLERANCE SHALL BE ±.125[3.18]. FOR OTHER LENGTHS, TOLERANCES SHALL BE ±2%.
 - AVAILABLE TO EXISTING CUSTOMERS ONLY, DO NOT DESIGN AS OF REVISION P.
 - AVAILABLE TO EXISTING CUSTOMERS ONLY, DO NOT DESIGN AS OF REVISION Z.
 - ASSEMBLIES USING THE FEP OPTION ARE FOR CRIMP APPLICATIONS ONLY.
 - CUT LENGTH IS ASSEMBLY LENGTH MINUS OVERALL LENGTH SUBTRACTOR.
 - NYLON MATERIALS ARE HYGROSCOPIC. PRODUCT MAY EXPAND UP TO 0.5% DEPENDING ON CONDITIONS OF THE SURROUNDING ENVIRONMENT. ALL PRINT DIMENSIONS REPRESENT "DRY AS MOLDED" STATE.

PMSDX-XX-XXXX-X-XX.XX-X-XXX

FEP CABLE OPTION
-T: FEP
(LEAVE BLANK FOR STANDARD PVC INSULATION)
(SEE NOTE 20)

No OF POSITIONS
-02 THRU -15
(PER ROW)

WIRE GAUGE (AWG) (SEE TABLE 1)
(SEE NOTE 7)
PVC: -16, -18, -206, -203, -22, -24
FEP: -16, -16L, -16S, -18, -18L, -18S, -24

COLOR CODE
LEAVE BLANK FOR ALL BLACK WIRE
C: COLOR CODED WIRE, SEE COLOR SEQUENCE TABLE, SHEET 3
(NOT AVAILABLE FOR TEFLON OPTION, TEFLON CABLE ONLY AVAILABLE IN BLUE)

LEAD STYLE
-SP: STANDARD POWER (C-169-XX-SP-T)
*(SEE NOTE 19)
-HP: HIGH POWER (C-169-XX-HP-T)
*(SEE NOTE 18)
-K: KEYED POLARIZATION (C-169-XX-SP-T)
(USE IPBD-XX-D-K) (SEE FIG 4, SHT 3)

ASSEMBLED LENGTH
SPECIFY IN INCHES
3.00 INCHES MINIMUM FOR SINGLE ENDED
3.50 INCHES MINIMUM FOR DOUBLE ENDED
[USE DWCX-XX-XX-XXX]

OPTION

SINGLE
-M: METAL LATCH (USE IPBD-XX-D-M)
(LEAVE BLANK FOR PLASTIC)

DOUBLE
-LUS: PLASTIC LATCH UP, STRAIGHT
-LDS: PLASTIC LATCH DOWN, STRAIGHT
-LUX: PLASTIC LATCH UP, CROSSED
-LDX: PLASTIC LATCH DOWN, CROSSED
-MUS: METAL LATCH UP, STRAIGHT
-MDS: METAL LATCH DOWN, STRAIGHT
-MUX: METAL LATCH UP, CROSSED
-MDX: METAL LATCH DOWN, CROSSED

END OPTION
-S: SINGLE END
-D: DOUBLE END
(MUST CHOOSE LUS, LDS, LUX, LDX, MUS, MDS, MUX, OR MDX)

(* = AVAILABLE TO EXISTING CUSTOMERS ONLY)

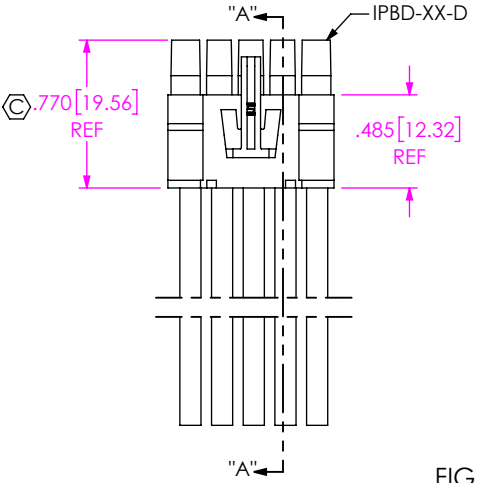
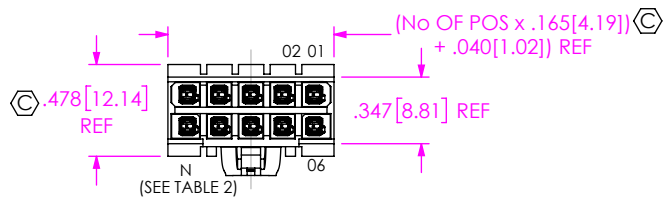
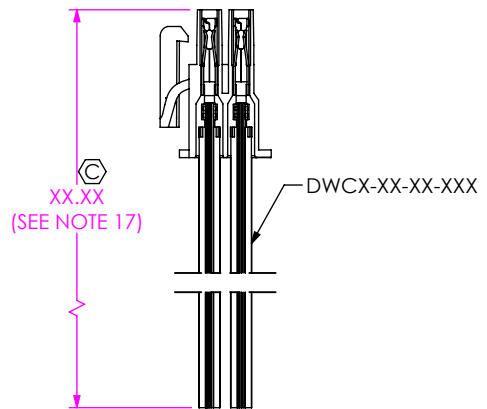


FIG 1
(PMSDX-05-XXXX-X-XX.XX-S SHOWN)



SECTION "A"-"A"

No. of Pos	N
-02	4
-03	6
-04	8
-05	10
-06	12
-07	14
-08	16
-09	18
-10	20
-11	22
-12	24
-13	26
-14	28
-15	30

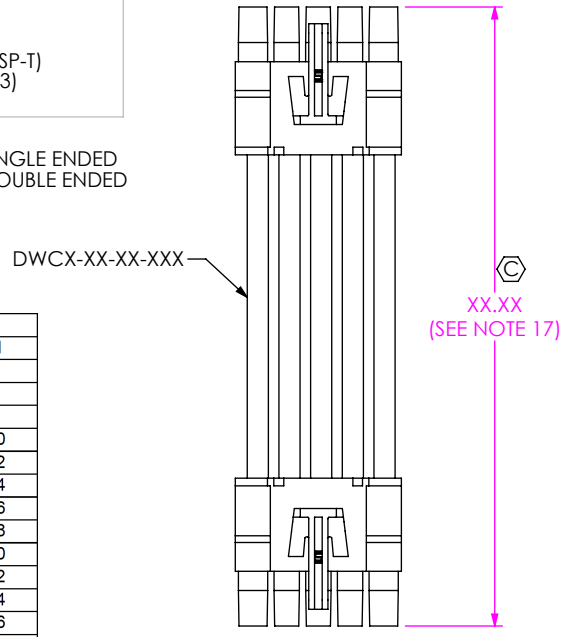
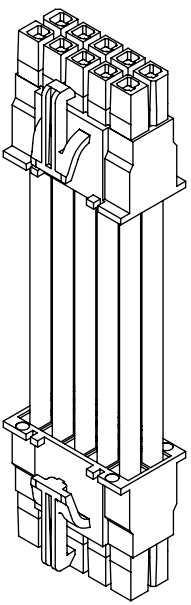


FIG 2
(PMSDX-05-XXXX-X-XX.XX-D-LUS SHOWN)
(SAME AS FIG 1, EXCEPT AS SHOWN)



** SEE NOTES 13

SERIES	CABLE AWG	CABLE	CONTACT	"P"
PMSD	16 AWG	DWC-16-10-600	C-169-03-XX-T	.128 [3.25]
PMSD	18 AWG	DWC-18-10-600	C-169-03-XX-T	.128 [3.25]
PMSD	206 AWG	DWC-20-10-600	C-169-03-XX-T	.128 [3.25]
PMSD	**203 AWG	DWC-20-10-300	C-169-02-XX-T	.128 [3.25]
PMSD	22 AWG	DWC-22-10-300	C-169-02-XX-T	.128 [3.25]
PMSD	24 AWG	DWC-24-10-300	C-169-02-XX-T	.128 [3.25]
PMSDT	16 AWG	DWCT-16-01	C-169-05-XX-X	.128 [3.25]
PMSDT	18 AWG	DWCT-18-01	C-169-05-XX-X	.128 [3.25]
PMSDT	24 AWG	DWCT-24-01-TC	C-169-04-XX-T	.128 [3.25]

UNLESS OTHERWISE SPECIFIED, DIMENSIONS ARE IN INCHES.

TOLERANCES ARE:
DECIMALS ANGLES
.XX: ±.01 [0.3] 2°
.XXX: ±.005 [0.13]
.XXXX: ±.0020 [0.051]

MATERIAL: DO NOT SCALE DRAWING SHEET SCALE: 1:1

HOUSING: NYLON, COLOR: NATURAL UL 94 V-0,
CONTACT: PHOS BRONZE
CABLE INSULATION: SEE CALLOUT
WIRE: SEE CABLE PRINT (NOT LEAD FREE)
METAL LATCH: NICKEL-PLATED BeCu

PROPRIETARY NOTE
THIS DOCUMENT CONTAINS CONFIDENTIAL AND PROPRIETARY INFORMATION AND ALL DESIGN, MANUFACTURING, REPRODUCTION, USE, PATENT RIGHTS AND SALES RIGHTS ARE EXPRESSLY RESERVED BY SAMTEC, INC. THIS DOCUMENT SHALL NOT BE DISCLOSED, IN WHOLE OR PART, TO ANY UNAUTHORIZED PERSON OR ENTITY NOR REPRODUCED, TRANSFERRED OR INCORPORATED IN ANY OTHER PRODUCT IN ANY MANNER WITHOUT THE EXPRESS WRITTEN CONSENT OF SAMTEC, INC.

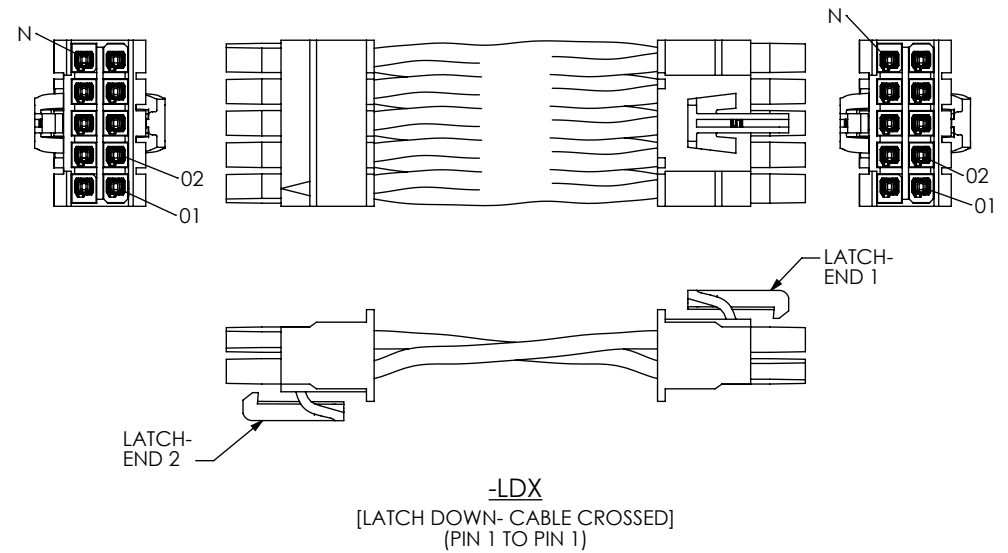
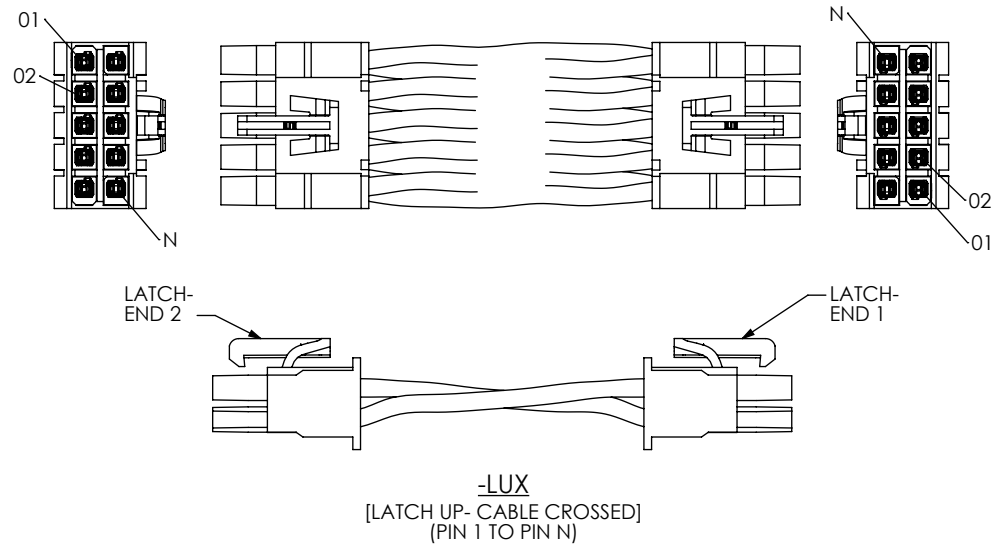
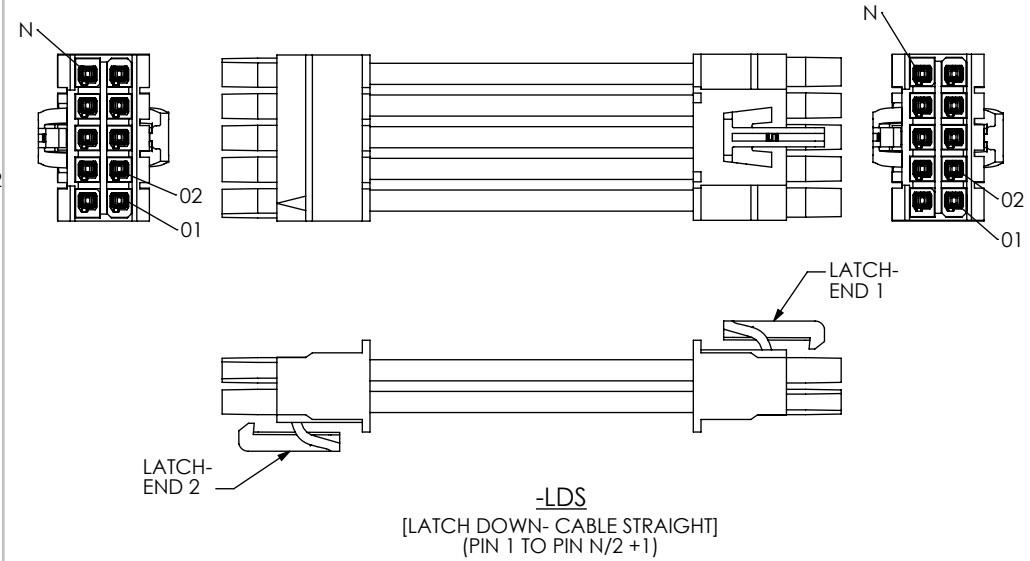
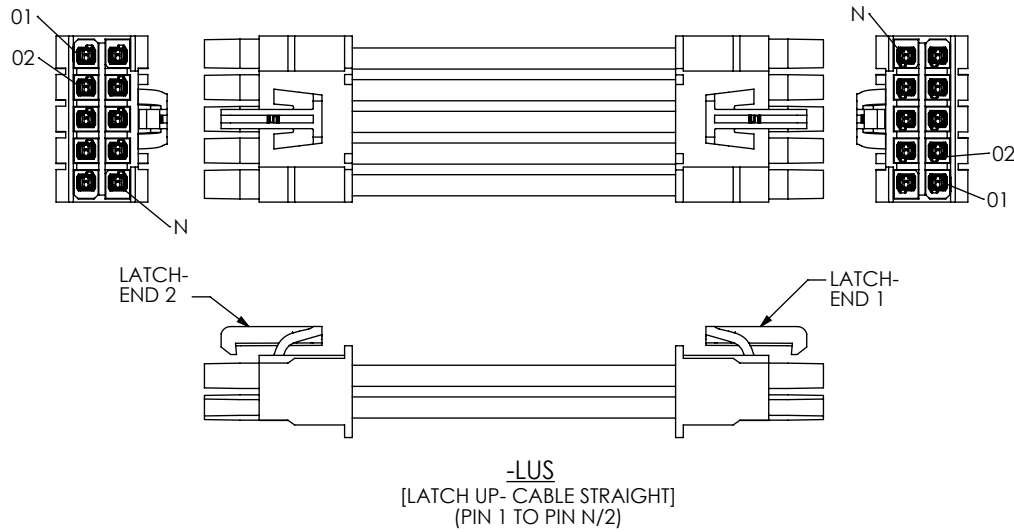
F:\DWG\MISC\MKTG\PMSDX-XX-XXXX-X-XX.XX-X-XXX-MKT.SLDDRW

520 PARK EAST BLVD. NEW ALBANY, IN 47150
PHONE: 812-944-6733 FAX: 812-948-5047
e-Mail info@SAMTEC.com code 55322

DESCRIPTION:
.165[4.19] SOCKET DISCREET CABLE ASSEMBLY

DWG. NO.
PMSDX-XX-XXXX-X-XX.XX-X-XXX

BY: DEAN P 07/28/2004 SHEET 1 OF 3



PROPRIETARY NOTE
 THIS DOCUMENT CONTAINS CONFIDENTIAL AND PROPRIETARY INFORMATION AND ALL DESIGN, MANUFACTURING, REPRODUCTION, USE, PATENT RIGHTS AND SALES RIGHTS ARE EXPRESSLY RESERVED BY SAMTEC, INC. THIS DOCUMENT SHALL NOT BE DISCLOSED, IN WHOLE OR PART, TO ANY UNAUTHORIZED PERSON OR ENTITY NOR REPRODUCED, TRANSFERRED OR INCORPORATED IN ANY OTHER PROJECT IN ANY MANNER WITHOUT THE EXPRESS WRITTEN CONSENT OF SAMTEC, INC.



520 PARK EAST BLVD, NEW ALBANY, IN 47150
 PHONE: 812-944-6733 FAX: 812-948-5047
 e-Mail info@SAMTEC.com code 55322

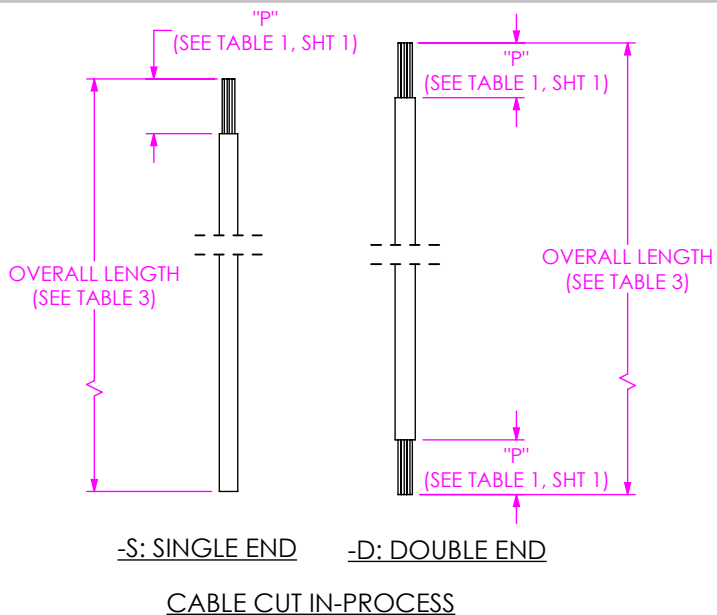
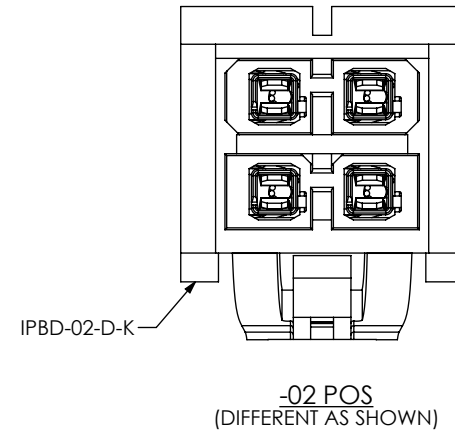
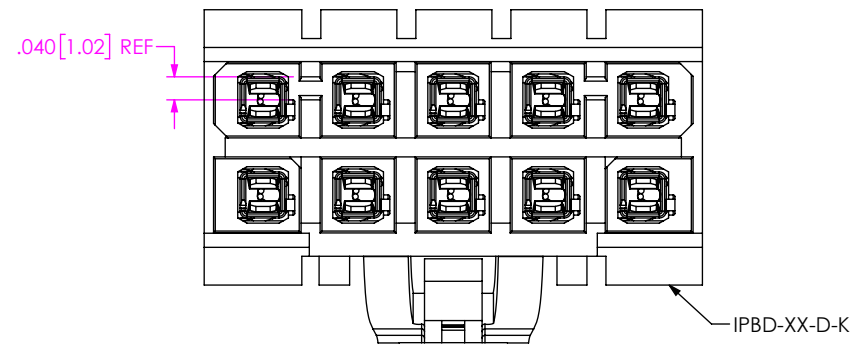
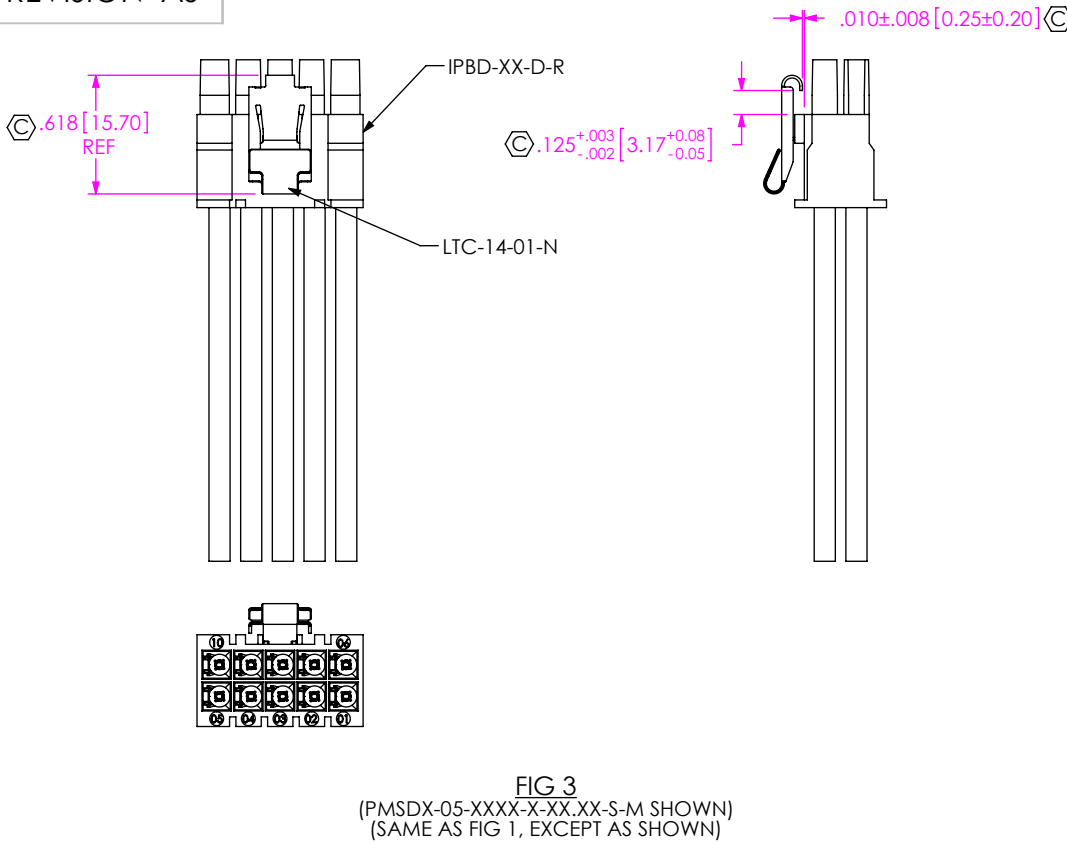
DO NOT SCALE DRAWING

SHEET SCALE: 1:1

DESCRIPTION:
 .165[4.19] SOCKET DISCREET CABLE ASSEMBLY

DWG. NO.
 PMSDX-XX-XXXX-X-XX.XX-X-XXX

BY: DEAN P 07/28/2004 SHEET 2 OF 3



PMSD COLOR CODED WIRE SEQUENCE										
PIN#	color									
	BROWN	RED	ORANGE	YELLOW	GREEN	BLUE	VIOLET	GRAY	WHITE	BLACK
	1	2	3	4	5	6	7	8	9	10
11	12	13	14	15	16	17	18	19	20	
21	22	23	24	25	26	27	28	29	30	

	LENGTH
-S: SINGLE END	.479 [12.17]
-D: DOUBLE END	.958 [24.33]

PROPRIETARY NOTE
THIS DOCUMENT CONTAINS CONFIDENTIAL AND PROPRIETARY INFORMATION AND ALL DESIGN, MANUFACTURING, REPRODUCTION, USE, PATENT RIGHTS AND SALES RIGHTS ARE EXPRESSLY RESERVED BY SAMTEC, INC. THIS DOCUMENT SHALL NOT BE DISCLOSED, IN WHOLE OR PART, TO ANY UNAUTHORIZED PERSON OR ENTITY NOR REPRODUCED, TRANSFERRED OR INCORPORATED IN ANY OTHER PROJECT IN ANY MANNER WITHOUT THE EXPRESS WRITTEN CONSENT OF SAMTEC, INC.

DO NOT SCALE DRAWING

SHEET SCALE: 1:1



520 PARK EAST BLVD, NEW ALBANY, IN 47150
PHONE: 812-944-6733 FAX: 812-948-5047
e-Mail info@SAMTEC.com code 55322



DESCRIPTION:
.165[4.19] SOCKET DISCREET CABLE ASSEMBLY

DWG. NO.
PMSDX-XX-XXXX-X-XX.XX-X-XXX

BY: DEAN P 07/28/2004 SHEET 3 OF 3

Looking for pricing, stock, or lifecycle information?

Click below to explore more details on WIN SOURCE:

-  [View PMSD-05-16-K-78.75-S-M on WIN SOURCE](#)
-  [Samtec Inc. Information](#)

Optimize Your Supply Chain with WIN SOURCE Solutions

-  Global Sourcing Solution
-  Obsolete Management
-  Cost Control Management
-  Shortage Management
-  Alternative Solution
-  Excess Inventory Management