

Fully Integrated Analog Front-End Dual Receiver Base Unit for 27-MHz Wireless Mouse and Keyboard Systems

FEATURES

- 23 Discrete Components Integrated into One Chip
 - Only External Components are Bypass and Filter Capacitors, and One Crystal
- RF Tuner, Mixer, Transistors, Passives, Coils, and Ceramic Filter Functionality All on One Chip
- Integrated Phase Locked Loop
- 8 User-Selectable Frequencies
 - Each Channel (Mouse and Keyboard) Can Independently Select Any of the Available Frequencies
- Internally Generated 6-MHz Clock to Drive USB Microcontroller

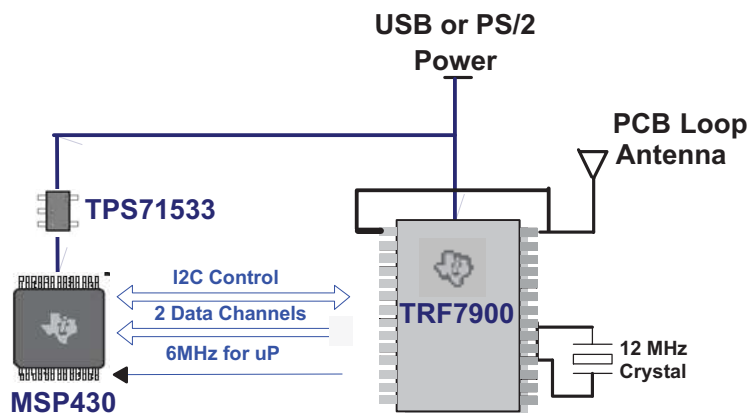
- High Data Throughput Rate
 - 5-kHz Square Wave Simultaneously per Channel
 - 10 kbps Miller Encoded Data
- I²C Control Interface
- Received Signal Strength Indicator
- 5-V Supply
- Available in 28-Pin TSSOP (PW) Package

APPLICATIONS

- 27-MHz Wireless Mouse and Keyboard Systems
- Human Interface Devices
- Wireless Control
- Remote Control Toys
- Wireless Headset
- Remote instrumentation

DESCRIPTION

The TRF7900 is a dual integrated RF transceiver designed for human-interface devices (HID). Operating at 27 MHz, it integrates multiple components (PLL, RF mixer, simulated SAW filter, tuning circuit, and miscellaneous passive components) to provide frequency selection from 8 discrete channels. This integration lowers component, manufacturing and system costs.



The TRF7900 simplifies system design by reducing system component count and manual circuit tuning. By integrating the PLL, SAW filter, and RF mixer, the TRF7900 eliminates the manual tuning of RLC circuits required in traditional implementations.



Please be aware that an important notice concerning availability, standard warranty, and use in critical applications of Texas Instruments semiconductor products and disclaimers thereto appears at the end of this data sheet.

The receiver also generates 8 frequencies that can be programmatically selected via the I²C interface bus for both the mouse channel and/or the keyboard channel. Another 6-MHz clock is internally generated to clock the USB microcontroller; this enables a single crystal to be used to supply the clock needs for the receiver channels and the microcontroller.

The optimized receiver design enables simultaneous reception on both parallel channels up to 5 kHz (10 kbps Miller encoding) per channel. A receive strength signal indicator register can be read via the I²C bus to determine the signal strength. Correlating the RSSI reading to the packet error rate enables the controller to diagnose the signal and understand the user condition.

ORDERING INFORMATION

PACKAGED DEVICES	PACKAGE TYPE	TRANSPORT MEDIA, QUANTITY
TRF7900PW	TSSOP - 28	Rails, 50
TRF7900PWR	TSSOP - 28	Tape and Reel, 2000

ABSOLUTE MAXIMUM RATINGS

over operating free-air temperature range (unless otherwise noted)

		VALUE	UNIT ⁽¹⁾
V _{S-} to V _{S+}	Supply voltage	5.5	V
V _I	Input voltage	±V _S ± 0.5	V
V _{ID}	Differential input voltage	±2	V
	Continuous power dissipation	See Dissipation Rating Table	
T _J	Maximum junction temperature, any condition ⁽²⁾	150	°C
T _J	Maximum junction temperature, continuous operation, long term reliability ⁽³⁾	125	°C
T _{stg}	Storage temperature range	-65 to 150	°C
	Lead temperature 1,6 mm (1/16 inch) from case for 10 seconds	300	°C
	ESD ratings: Human Body Model	4000	V
	ESD ratings: Charged Device Model	1500	V
	ESD ratings: Machine Model	200	V

- (1) The absolute maximum ratings under any condition is limited by the constraints of the silicon process. Stresses above these ratings may cause permanent damage. Exposure to absolute maximum conditions for extended periods may degrade device reliability. These are stress ratings only, and functional operation of the device at these or any other conditions beyond those specified is not implied.
- (2) The maximum junction temperature for continuous operation is limited by package constraints. Operation above this temperature may result in reduced reliability and/or lifetime of the device.

DISSIPATION RATINGS

PACKAGE	θ _{JC}	θ _{JA} ⁽¹⁾	POWER RATING ⁽²⁾	
			T _A ≤ 25°C	T _A = 85°C
PW (28)	13.7	56.5	1.77 W	708 mW

- (1) This data was taken using the JEDEC standard high-K test PCB.
- (2) Power rating is determined with a junction temperature of 125°C. This is the point where distortion starts to substantially increase. Thermal management of the final PCB should strive to keep the junction temperature at or below 125°C for best performance and long term reliability.

RECOMMENDED OPERATING CONDITIONS

over operating free-air temperature range (unless otherwise noted)

		MIN	NOM	MAX	UNIT
V_{S-} to V_{S+}	Supply voltage, analog	4.0		5.5	V

ELECTRICAL CHARACTERISTICS
 $V_S = 5\text{ V}$, $T_A = 25^\circ\text{C}$ (unless otherwise noted)

PARAMETER		TEST CONDITIONS	MIN	TYP	MAX	UNIT	
I_O	Output current		100		100	mA	
RF Specifications							
	Precision of required external 12-MHz crystal				50	ppm	
	Channel spacing			50		kHz	
	Communication spacing			26.995		MHz	
				27.045		MHz	
				27.095		MHz	
				27.145		MHz	
				27.195		MHz	
				27.295		MHz	
			Optional channel		27.245		MHz
			Optional channel		26.945		MHz
	Antenna Input Resistance	DC Differential		<100		k Ω	
		27 MHz		5		k Ω	
R_O	Output resistance, Out_1 and Out_2			1.2		k Ω	

Looking for pricing, stock, or lifecycle information?

Click below to explore more details on WIN SOURCE:

 [View TRF7900PW](#) on WIN SOURCE

 [Texas Instruments](#) Information

Optimize Your Supply Chain with WIN SOURCE Solutions

-  Global Sourcing Solution
-  Obsolete Management
-  Cost Control Management
-  Shortage Management
-  Alternative Solution
-  Excess Inventory Management