

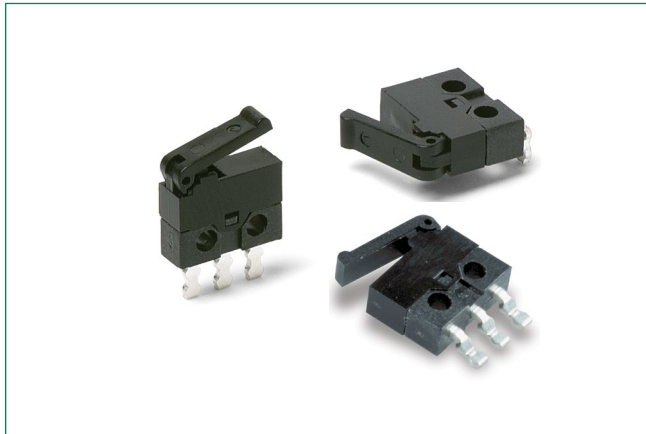


**THE DATASHEET OF
MDS6500AL02SR**



MDS Series

Mini Size Snap-acting Switches



Description

The MDS series mini size snap-acting switches are designed with a snap-acting tactile feel, feature a mini package size and come in either a vertical or right-angle PCB mount variety. MDS switches are perfect for medical devices, consumer electronic devices and other applications where you need to be able to detect the presence of a mechanical device.

Features & Benefits

- Snap-acting tactile feel
- Available in vertical or right angle PCB mount
- RoHS compliant and compatible
- Mini package size

Applications

- Detect the presence of a mechanical device
- Medical devices
- Consumer electronic devices
- ATCA applications

Specifications

Contact Rating	300mA @ 30 VDC
Mechanical & Electrical Life	30,000 operations
Contact Resistance	100 m Ω max. initial
Operating Temperature	-25°C to 70°C
Solderability	According to lead free solder profiles
Packaging	Available in bulk or tape and reel.
Operating Force	50g Max.
Release Force	3g Min.

Materials

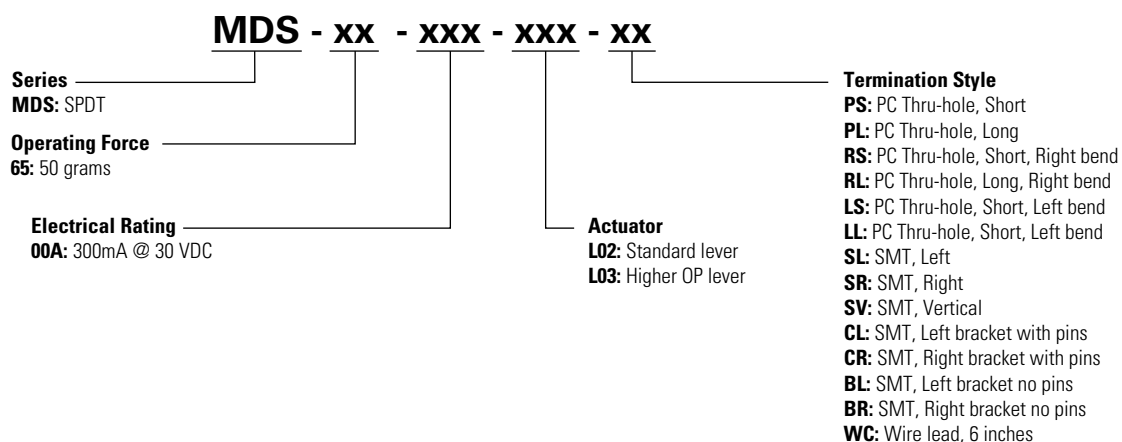
Base	PA9T
Cover	
Actuator	Copper alloy, Silver plated
Movable Contact	
Stationary Contacts	
Terminals	

Notes:

MDS series is RoHS compliant, and compatible. See technical data section of this catalog for RoHS compliant and compatible definitions and specifications. Specifications and materials listed above are for switches with standard options. For information on specific and custom switches, consult Customer Service Center.

Ordering Number

Our easy build-a-switch concept allows you to mix and match options to create the switch you need. To order, select desired option from each category and place it in the appropriate box.

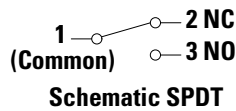
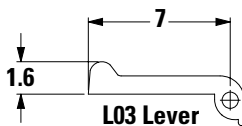
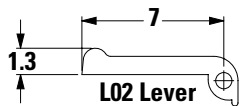
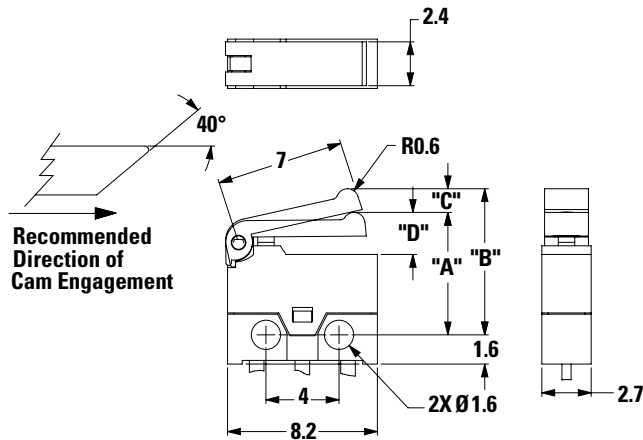


MDS Series

Mini Size Snap-acting Switches



Series Dimensions - inches (mm)



Operating Characteristics

		Lever L02	Lever L03
Operating Position	DIM 'A'	6.7±0.5	7.0+/-0.5
Free Position	DIM 'B'	8 max.	8.5 max.
Pre-Travel	DIM 'C'	1.8 max.	
Over Travel	DIM 'D'	0.3 min.	
Contact Rating		0.3A @ 30 VDC	
Operating Force		50 grams F. max.	

Electrical Rating

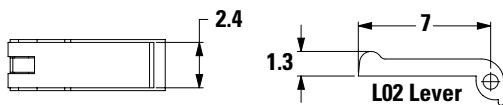
Option Code	Electrical Rating
00A	300mA @ 30 V DC

Operating Force

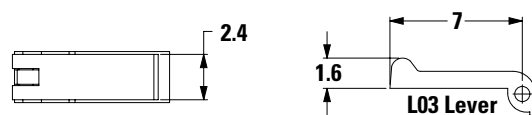
Option Code	Operating Force
65	50 grams max.

Actuator

L02 Standard Lever

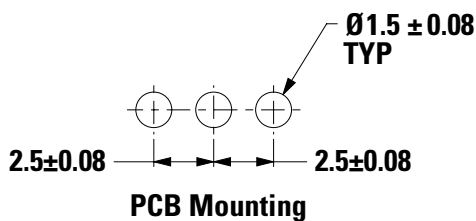


L03 Higher OP Lever

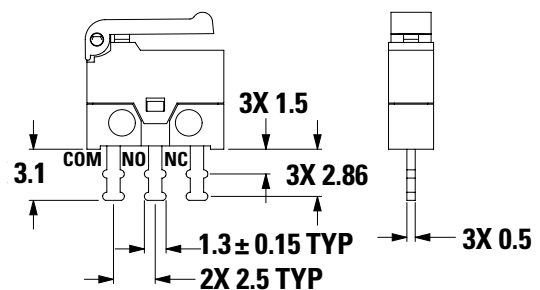


Terminations

PCB Mounting Pattern



PS PC Thru-hole, Short Straight

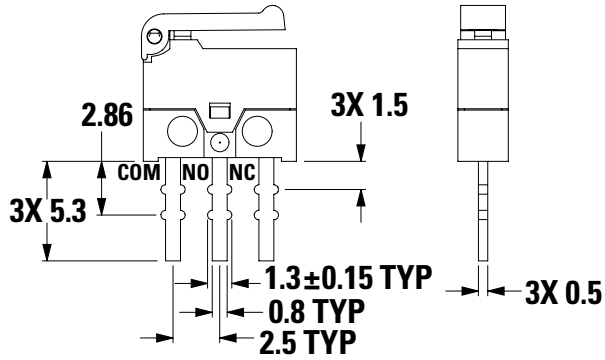


MDS Series

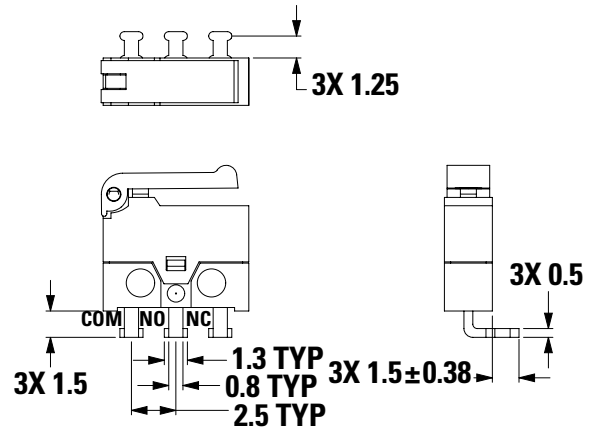
Mini Size Snap-acting Switches



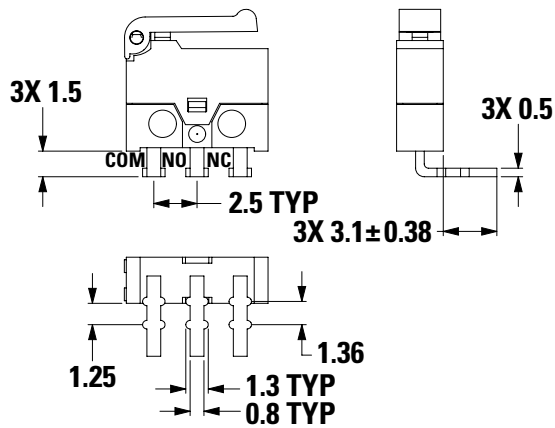
PL PC Thru-hole, Long Straight



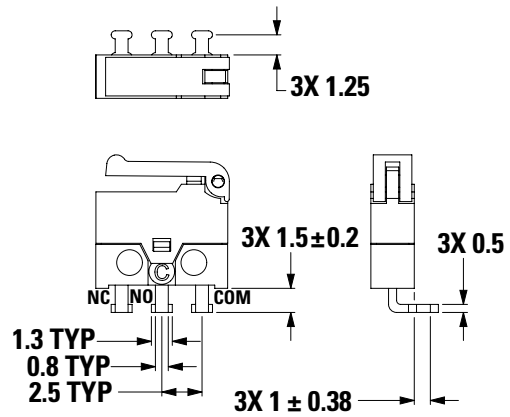
RS PC Thru-hole, Short Right Bend



RL PC Thru-hole, Long Right Bend



LS PC Thru-hole, Short Left Bend

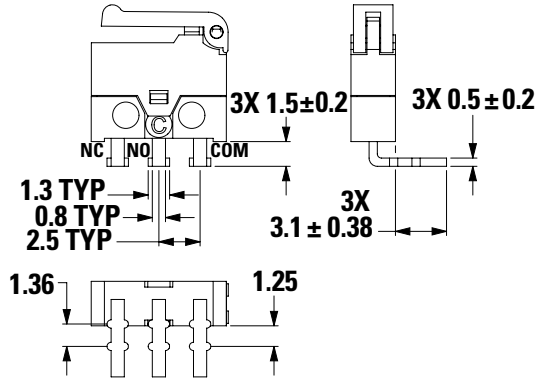


MDS Series

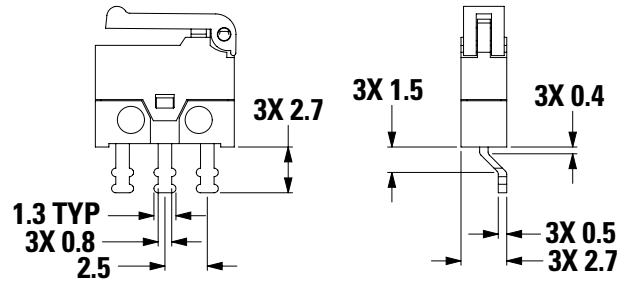
Mini Size Snap-acting Switches



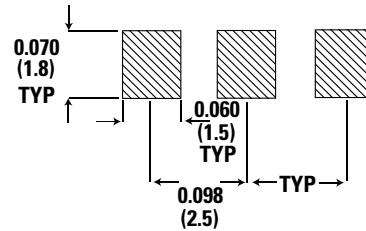
LL PC Thru-hole, Long Left Bend



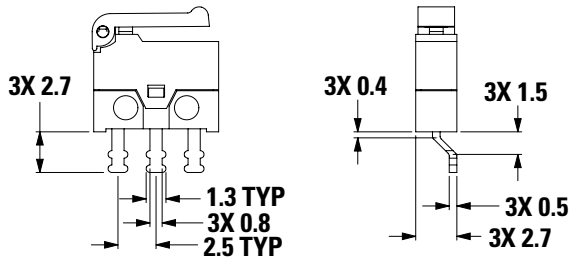
SL SMT, Left Mount



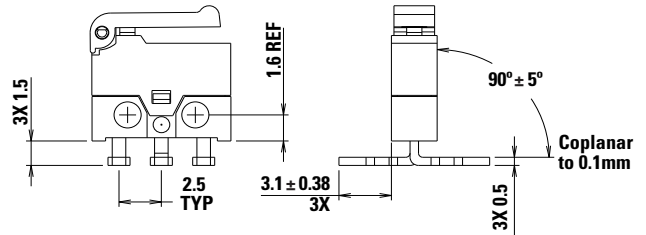
SMT Mounting Pattern



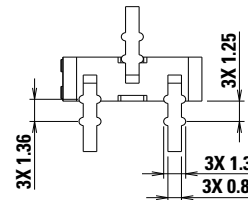
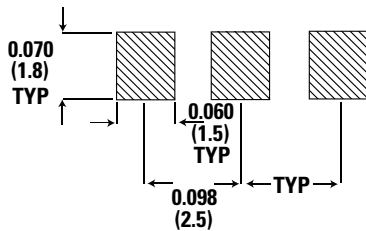
SR SMT, Right Mount



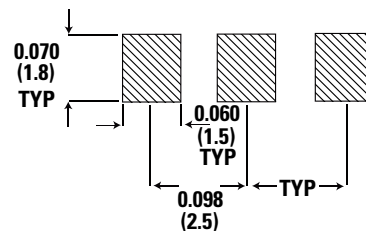
SV SMT, Vertical



SMT Mounting Pattern



SMT Mounting Pattern

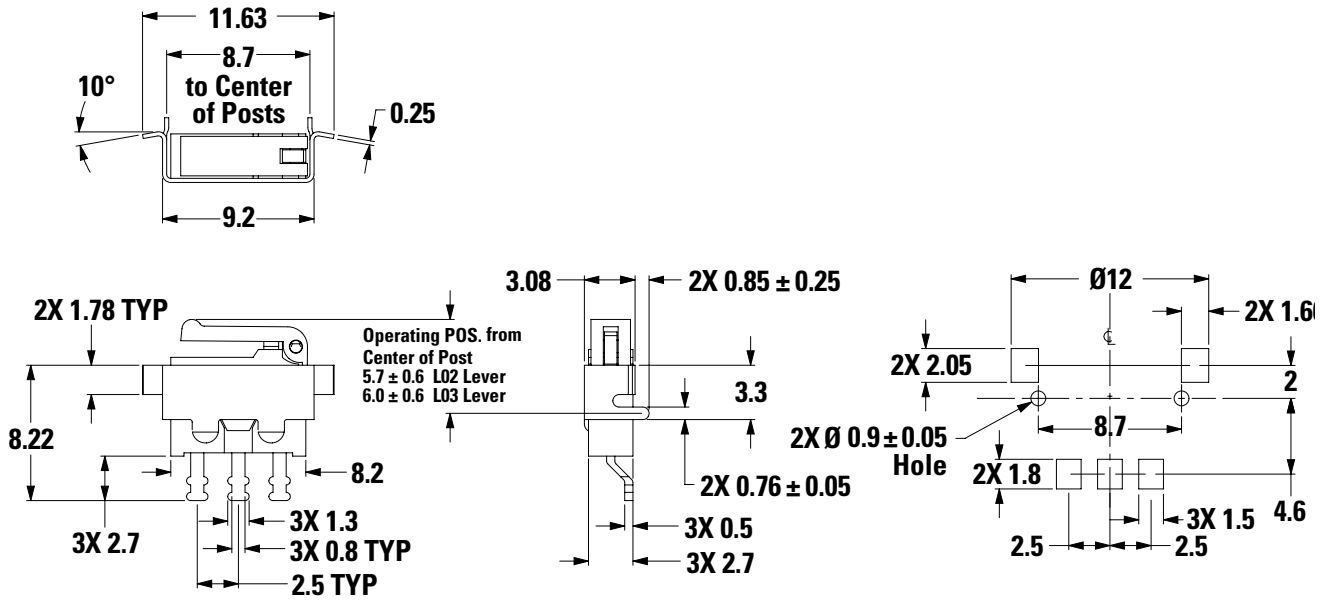


MDS Series

Mini Size Snap-acting Switches



CL SMT, Left Bracket With Pins

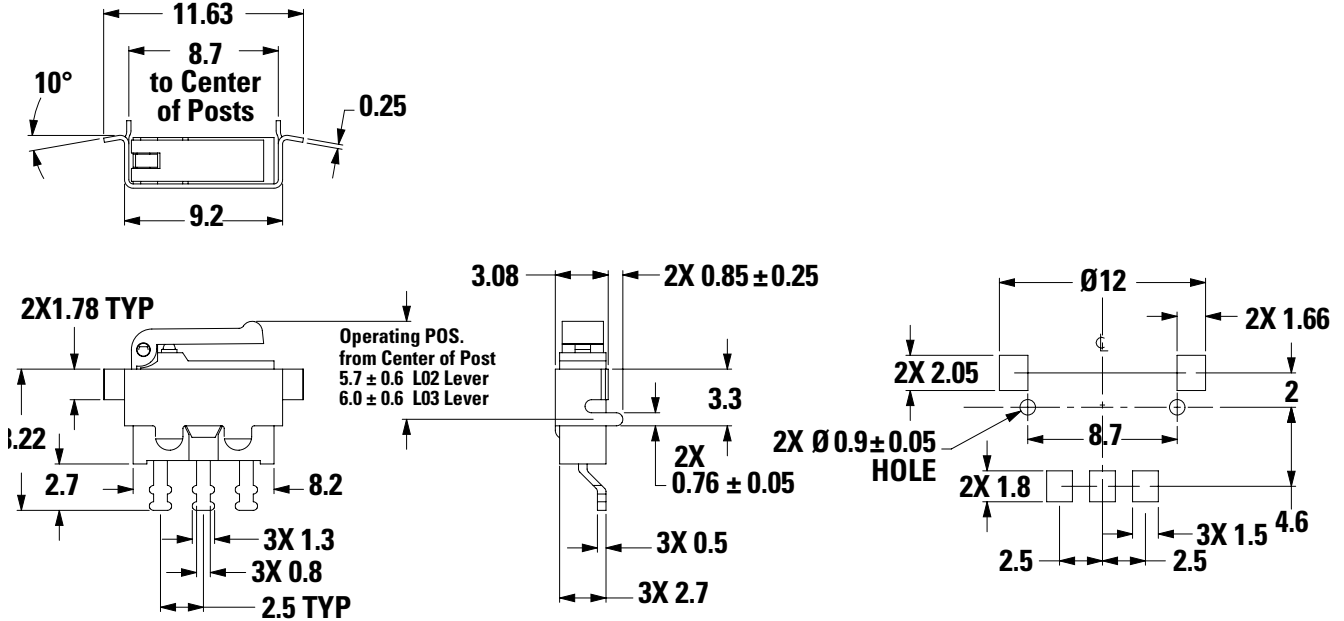


MDS Series

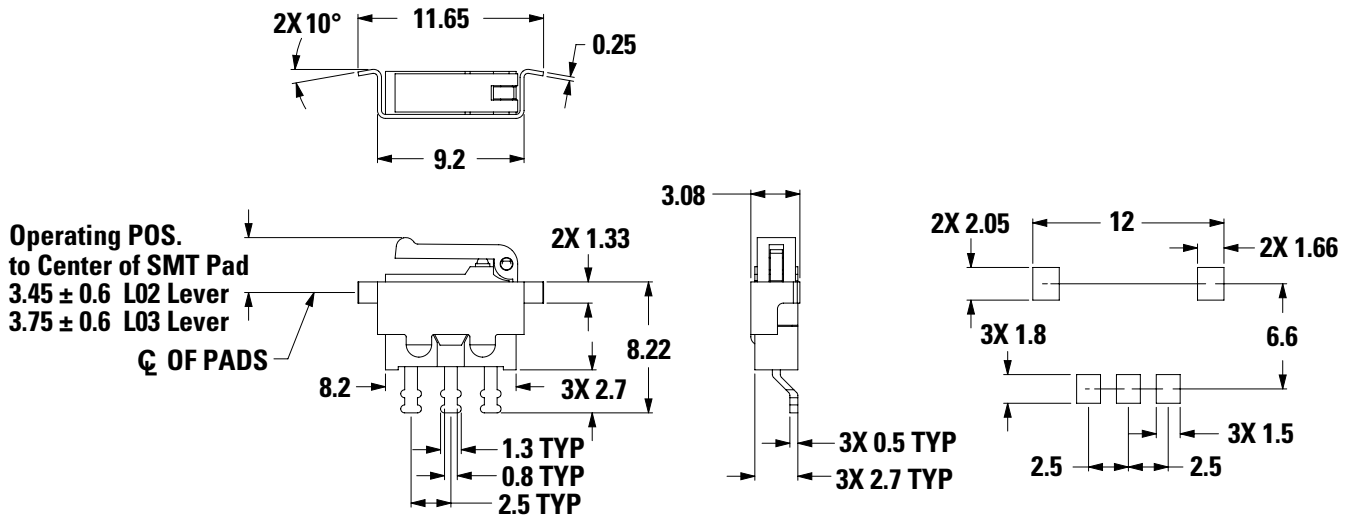
Mini Size Snap-acting Switches



CR SMT, Right Bracket With Pins



BL SMT, Left Bracket No Pins

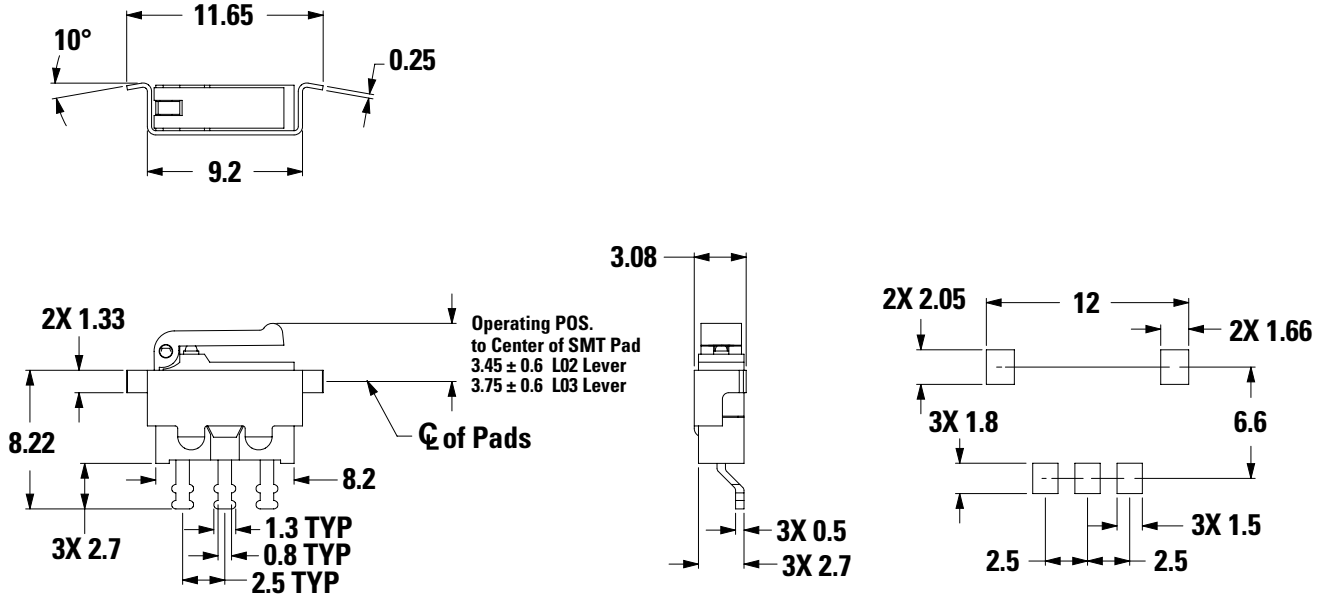


MDS Series

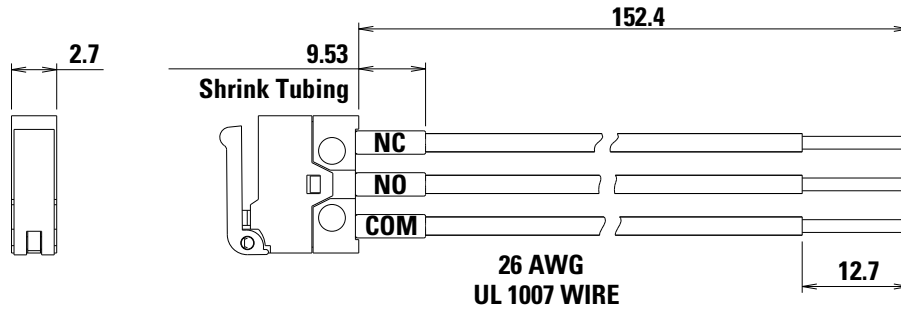
Mini Size Snap-acting Switches



BR SMT, Right Bracket No Pins

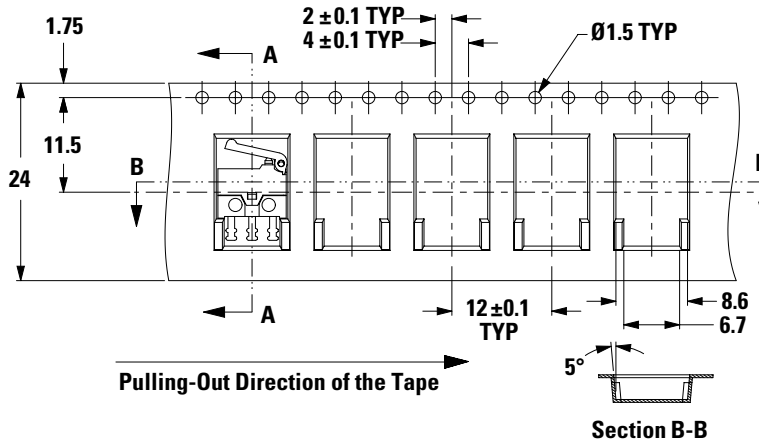


WC Wire Lead, 6 inches

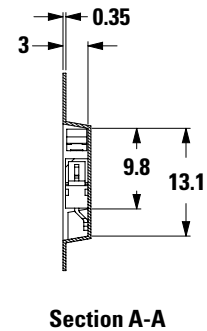


Tape and Reel

SL SMT, Left Mount



SR SMT, Right Mount



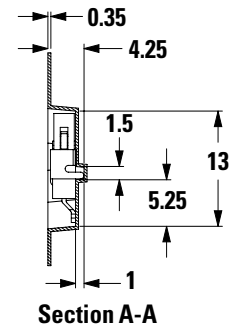
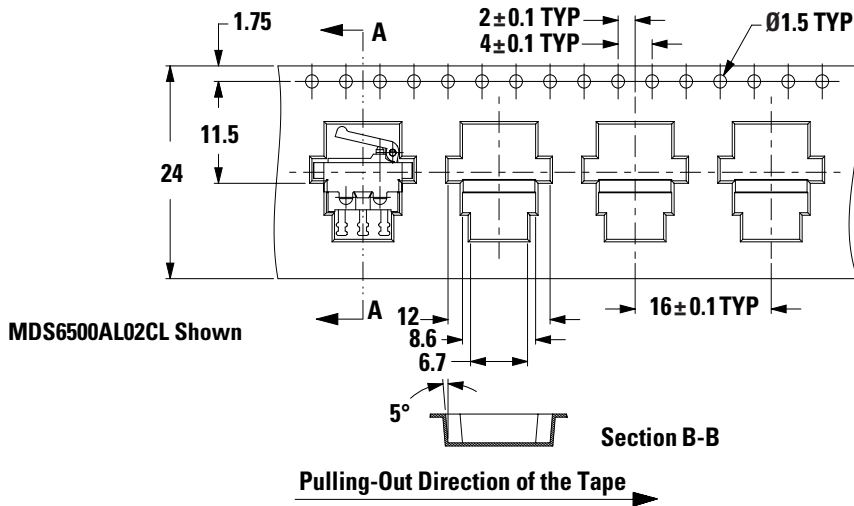
MDS Series

Mini Size Snap-acting Switches

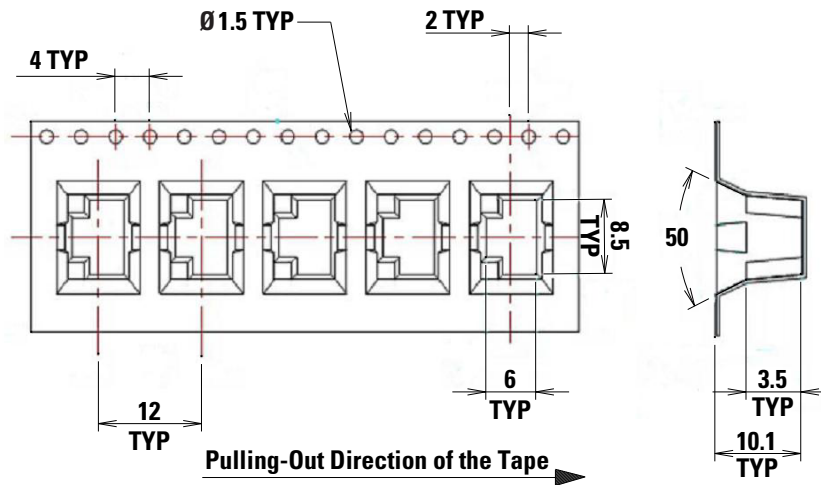


CL SMT, Left Mount
BL SMT, Left Mount

CR SMT, Right Mount
BR SMT, Right Mount



SV SMT, Vertical Mount





Notes: Supplied in carrier tape meeting the EIA-481-2 standard for 24mm tape. Packaging quantity: SL and SR: 1,600 pieces per reel. CL, CR, BL and BR: 1,000 pieces per reel. SV: 400 pieces per reel. WC: consult factory

Disclaimer Notice - Information furnished is believed to be accurate and reliable. However, users should independently evaluate the suitability of and test each product selected for their own applications. Littelfuse products are not designed for, and may not be used in, all applications. Read complete Disclaimer Notice at <http://www.littelfuse.com/disclaimer-electronics>.

Looking for pricing, stock, or lifecycle information?

Click below to explore more details on WIN SOURCE:

-  [View MDS6500AL02SR](#) on WIN SOURCE
-  [C&K Components](#) Information

Optimize Your Supply Chain with WIN SOURCE Solutions

-  Global Sourcing Solution
-  Obsolete Management
-  Cost Control Management
-  Shortage Management
-  Alternative Solution
-  Excess Inventory Management