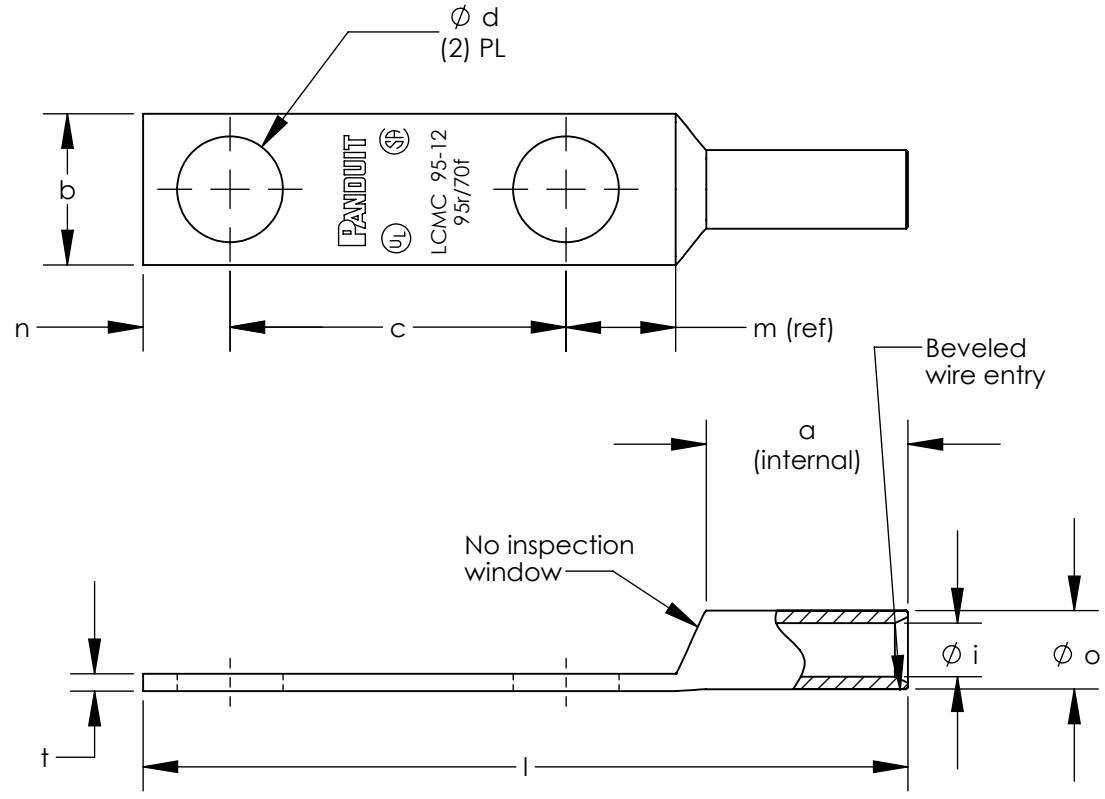




**THE DATASHEET OF
LCMC120-12-X**





ALL DIMENSIONS ARE mm

PART NUMBER	Class 2r Wire Size	Class 5f Wire Size	Stud Size	WIRE STRIP LENGTH	Panduit Die Index No. For Class 2r Wire Circumferential Dies	Panduit Die Index No. For Class 5f & 6f Wire Circumferential Dies	Panduit Die Index No. For Class 5f & 6f Wire Nest/Indentor Dies	i ± 2.76	o ± .50	i ± .50	a ± 2.25	m (ref)	c ± .50	n ± 2.25	d ± .50	b ± 2.25	t ± .70
LCMC10-8-L	10mm ²	---	M8	25.6	P21	---	---	87.8	6.80	4.50	24.0	8.5	44.50	8.0	9.00	13.5	1.50
LCMC16-8-L	16mm ²	10mm ²	M8	28.8	P21	P21	---	91.7	7.60	5.50	27.2	10.3	44.50	6.5	9.00	13.5	1.60
*LCMC25-5-L	25mm ²	16mm ²	M5	28.3	P29	P21	---	93.2	8.80	6.90	26.7	10.0	44.50	8.0	5.50	14.0	1.60
LCMC25-8-L			M8					93.2	8.80	6.90	26.7	10.0	44.50	8.0	5.50	14.0	1.50
LCMC25-10-L			M10					93.2	8.80	6.90	26.7	10.0	44.50	8.0	11.00	16.0	1.50
LCMC25-12-L			M12					101.2	10.40	7.14	26.7	14.5	44.50	11.5	14.00	20.5	2.20
*LCMC35-8-Q	35mm ²	25mm ²	M8	34.4	P29	P29	---	101.8	10.40	8.20	32.8	12.3	44.50	8.5	9.00	16.0	2.00
LCMC35-10-Q			M10					101.8	10.40	8.20	32.8	12.3	44.50	8.5	11.00	16.0	2.00
LCMC35-12-Q			M12					107.8	11.00	8.20	32.8	14.5	44.50	11.5	14.00	22.0	1.90
LCMC50-10-E			M10					107.3	12.30	9.80	36.6	11.5	44.50	10.0	11.00	18.5	2.30
LCMC50-12-E	50mm ²	35mm ²	M12	38.2	P37	P33	---	110.8	13.00	9.80	36.6	14.0	44.50	11.0	14.00	23.5	2.40
LCMC70-10-X			M10					112.7	14.20	11.50	38.0	14.5	44.50	11.5	11.00	21.3	2.60
LCMC70-12-X	70mm ²	50mm ²	M12	39.6	P45	P37	---	112.7	14.20	11.50	38.0	14.5	44.50	11.5	14.00	21.3	2.60
*LCMC95-6-X			M6					123.5	16.50	13.50	43.0	15.0	44.50	13.5	6.60	25.0	2.80
*LCMC95-10-X	95mm ²	70mm ²	M10	44.6	P54	P45	P62/4	123.5	16.50	13.50	43.0	15.0	44.50	13.5	11.00	25.0	2.80
LCMC95-12-X			M12					123.5	16.50	13.50	43.0	15.0	44.50	13.5	14.00	25.0	2.80
LCMC95-14-X			M14					123.5	16.50	13.50	43.0	15.0	44.50	13.5	16.00	25.0	2.80
LCMC120-12-X			M12					124.7	18.60	15.20	39.7	15.5	44.50	14.5	14.00	28.0	3.20
LCMC120-14-X	120mm ²	95mm ²	M14	41.3	P62	P50	P76/4	124.7	18.60	15.20	39.7	15.5	44.50	14.5	16.00	28.0	3.20
LCMC150-12-X			M12					144.5	21.00	16.50	57.0	18.0	44.50	16.5	14.00	31.0	4.30
LCMC150-14-X	150mm ²	120mm ²	M14	58.6	P66	---	P76/4	148.0	21.00	16.50	57.0	22.0	44.50	16.5	16.00	31.0	4.30
LCMC185-8-X			M8					145.1	23.00	18.60	56.3	16.5	44.50	17.5	9.00	34.0	4.20
LCMC185-12-X	185mm ²	150mm ²	M12	57.9	P76	---	P76/4	145.1	23.00	18.60	56.3	16.5	44.50	17.5	14.00	34.0	4.20
LCMC185-14-X			M14					149.6	23.00	18.60	56.3	21.0	44.50	17.5	16.00	34.0	4.20
LCMC240-12-6	240mm ²	185mm ²	M12	65.1	P87	---	P87/4	159.5	26.00	20.80	63.5	21.0	44.50	19.5	14.00	38.0	5.00
LCMC240-14-6			M14					159.5	26.00	20.80	63.5	21.0	44.50	19.5	16.00	38.0	5.00
LCMC300-12-6	300mm ²	240mm ²	M12	70.0	P94	---	P106/6	167.1	29.00	23.50	68.4	22.0	44.50	20.0	14.00	43.0	5.30
LCMC300-14-6			M14					167.1	29.00	23.50	68.4	22.0	44.50	20.0	16.00	43.0	5.30
LCMCX300-12-6	---	300mm ²	M12	74.6	---	---	P32/6	179.7	33.00	26.20	73.0	26.5	44.50	23.5	14.00	48.5	6.50
LCMCX300-14-6	---	5f ONLY	M14	---	---	---	---	179.7	33.00	26.20	73.0	26.5	44.50	23.5	16.00	48.5	6.50
LCMC400-12-6	400mm ²	---	M12	66.8	P106	---	---	171.9	34.50	27.00	65.2	26.5	44.50	23.5	14.00	50.0	7.20
LCMC400-14-6			M14					171.9	34.50	27.00	65.2	26.5	44.50	23.5	16.00	50.0	7.20
LCMC400-16-6			M16					171.9	34.50	27.00	65.2	26.5	44.50	23.5	18.00	50.0	7.20
LCMC500-12-3			M12					194.2	40.00	31.00	76.2	28.5	44.50	25.5	14.00	58.0	8.60
LCMC500-14-3	500mm ²	---	M14	77.8	P125	---	---	194.2	40.00	31.00	76.2	28.5	44.50	25.5	16.00	58.0	8.60
LCMC500-16-3			M16					194.2	40.00	31.00	76.2	28.5	44.50	25.5	18.00	58.0	8.60
LCMC630-12-3	630mm ²	---	M12	85.9	P125	---	---	203.6	44.00	34.50	84.3	28.5	44.50	27.5	14.00	63.5	9.20
LCMC630-14-3			M14					203.6	44.00	34.50	84.3	28.5	44.50	27.5	16.00	63.5	9.20
LCMC630-16-3			M16					203.6	44.00	34.50	84.3	28.5	44.50	27.5	18.00	63.5	9.20

Notes:

1. Material: High conductivity seamless copper tube.
2. Plating: Parts are annealed and tin plated.
3. Wire Type: Class 2r/5f & 6f Stranded Copper per DIN VDE 0295, IEC 60228 and HD 383.
4. UL Listed Wire Connector: Yes, for applications up to 35kv. Consult cable manufacturer for voltage stress relief instructions with applications greater than 2000 volts.
5. UL Temperature Rating: 90° C
6. C.S.A. Certified Wire Connector: Yes
7. Parts are CE and tested per EN 61238-1:2003/IEC 61238-1:2003 Class B, with Class 2r wire 10mm² - 630mm².


*cULus LISTED WIRE CONNECTOR



REV	DATE	BY	CHK	APR	DESCRIPTION	ECN	TITLE	ITEM REVISION NAME	DATASET FILE NAME	MATERIAL	DRAWING NUMBER	SHEET 1 OF 1	SIZE	
04	2/17	JHNU	JHNU	RGB	REVISED TONGUE WIDTH AND TONGUE THICKNESS DIMENSIONS	12J036BK-JC	METRIC LUGS - LCMC TWO HOLE SERIES 10-630mm LONG BARREL CUSTOMER DRAWING	12J036BK/04	12J036BK-JC/04.SLDDRW	SEE NOTES	12J036BK-JC		B	
03	7/15	JHNU	TLCO	RGB	ADDED LCMC25-5-L, LCMC35-8-Q, LCMC95-6-X, LCMC95-10-X, LCMC185-8-X	12J036BK-JC								
02	7/14	JHNU	TLCO	RGB	ADDED 5f ONLY TO WIRE SIZE FOR X300 PARTS	12J036BK-JC								
01	6/14	JHNU	TLCO	RGB	REVISED o DIM: LCMC50-12 WAS 12.30 REVISED † DIM: LCMC50-12 WAS 1.80 REVISED NOTE 7: 630 WAS 240	12J036BK-JC								
00	7/13	JHNU	TLCO	RGB	DRAWING RELEASED	12J036BK-JC								
REV	DATE	BY	CHK	APR	DESCRIPTION	ECN	UNLESS OTHERWISE SPECIFIED, DIMENSIONAL TOLERANCES ARE: IN [mm] .X ± .XXX ± .XX ± ANGLES ±	THIRD ANGLE PROJECTION	DRAWN BY JHNU	DATE 7/13	CHK TLCO	SCALE NONE	SHEET 1 OF 1	SIZE B

Looking for pricing, stock, or lifecycle information?

Click below to explore more details on WIN SOURCE:

 [View LCMC120-12-X on WIN SOURCE](#)

 [Panduit Corp](#) Information

Optimize Your Supply Chain with WIN SOURCE Solutions

-  Global Sourcing Solution
-  Obsolete Management
-  Cost Control Management
-  Shortage Management
-  Alternative Solution
-  Excess Inventory Management