



**THE DATASHEET OF  
NCP4306AAAZZZAMNTWG**



# Secondary Side Synchronous Rectification Driver for High Efficiency SMPS Topologies

## NCP4306

The NCP4306 is high performance driver tailored to control a synchronous rectification MOSFET in switch mode power supplies. Thanks to its high performance drivers and versatility, it can be used in various topologies such as DCM or CCM flyback, quasi resonant flyback, forward and half bridge resonant LLC.

The combination of externally or fixed adjustable minimum off-time and on-time blanking periods helps to fight the ringing induced by the PCB layout and other parasitic elements. A reliable and noise less operation of the SR system is insured due to the Self Synchronization feature. The NCP4306 also utilizes Kelvin connection of the driver to the MOSFET to achieve high efficiency operation at full load and utilizes a light load detection architecture to achieve high efficiency at light load.

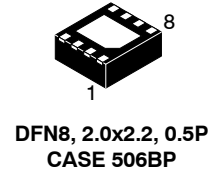
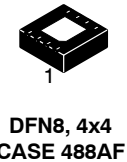
The precise turn-off threshold, extremely low turn-off delay time and high sink current capability of the driver allow the maximum synchronous rectification MOSFET conduction time and enables maximum SMPS efficiency. The high accuracy driver and 5 V gate clamp enables the use of GaN MOSFETs.

### Features

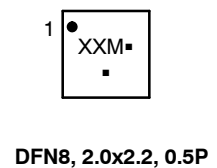
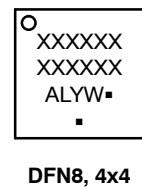
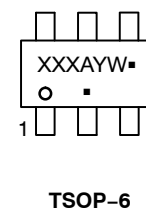
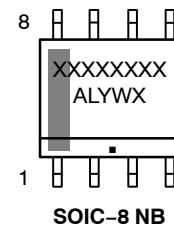
- Self-Contained Control of Synchronous Rectifier in CCM, DCM and QR for Flyback or LLC Applications
- Precise True Secondary Zero Current Detection
- Typically 15 ns Turn off Delay from Current Sense Input to Driver
- Rugged Current Sense Pin (up to 200 V)
- Ultrafast Turn-off Trigger Interface / Disable Input (10.5 ns)
- Adjustable or Fixed Minimum ON-Time
- Adjustable or Fixed Minimum OFF-Time with Ringing Detection
- Improved Robust Self Synchronization Capability
- 7 A / 2 A Peak Current Sink / Source Drive Capability
- Operating Voltage Range up to  $V_{CC} = 35\text{ V}$
- Automatic Light-load Disable Mode
- GaN Transistor Driving Capability
- Low Startup and Disable Current Consumption
- Maximum Operation Frequency up to 1 MHz
- TSOP6, SOIC8, DFN8 4x4 and DFN8 2x2.2 Packages
- This is a Pb-Free Device

### Typical Applications

- Notebook Adapters
- High Power Density AC / DC Power Supplies (Cell Phone Chargers)
- LCD TVs
- All SMPS with High Efficiency Requirements



### MARKING DIAGRAMS



See detailed marking information on page 2 of this data sheet.

XXXXXX = Specific Device Code  
A = Assembly Location  
L = Wafer Lot  
Y = Year  
W = Work Week  
M = Date Code  
▪ = Pb-Free Package

(Note: Microdot may be in either location)

### ORDERING INFORMATION

See detailed ordering and shipping information on page 2 of this data sheet.

ORDERING INFORMATION TABLE

Table 1. AVAILABLE DEVICES

Device	Package Marking	Package	Shipping †
NCP4306AAAZZZADR2G	6AAAZZZA	SOIC-8 (Pb-Free)	2500 / Tape and Reel
NCP4306AADZZADR2G	6AADZZZA		
NCP4306AAHZZADR2G	6AAHZZZA		
NCP4306DADZZDASNT1G	6AC	TSOP-6 (Pb-Free)	3000 / Tape and Reel
NCP4306DAHZZAASNT1G	6AD		
NCP4306DADZZBASNT1G	6AK		
NCP4306AAAZZZAMNTWG	4306AAAZZZA	DFN-8 4x4 (Pb-Free)	4000 / Tape and Reel
NCP4306AADZZAMNTWG	4306AADZZZA		
NCP4306AAAZZZAMN1TBG	6A	DFN-8 2x2.2 (Pb-Free)	3000 / Tape and Reel
NCP4306AADZZAMN1TBG	6D		

†For information on tape and reel specifications, including part orientation and tape sizes, please refer to our Tape and Reel Packaging Specification Brochure, BRD8011/D.

See the **onsemi** Device Nomenclature document ([TND310/D](#)) for a full description of the naming convention used for image sensors. For reference documentation, including information on evaluation kits, please visit our web site at [www.onsemi.com](http://www.onsemi.com).

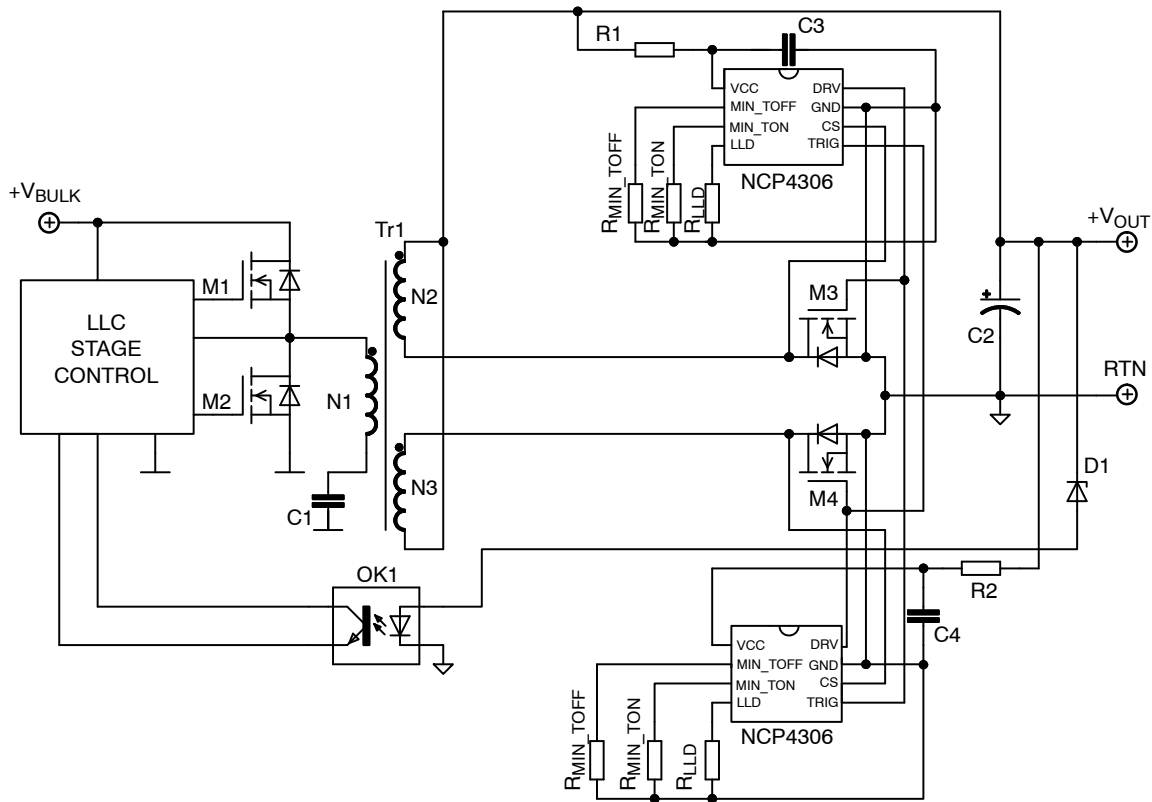


Figure 1. Typical Application Example – LLC Converter with optional LLD and Trigger Utilization

# NCP4306

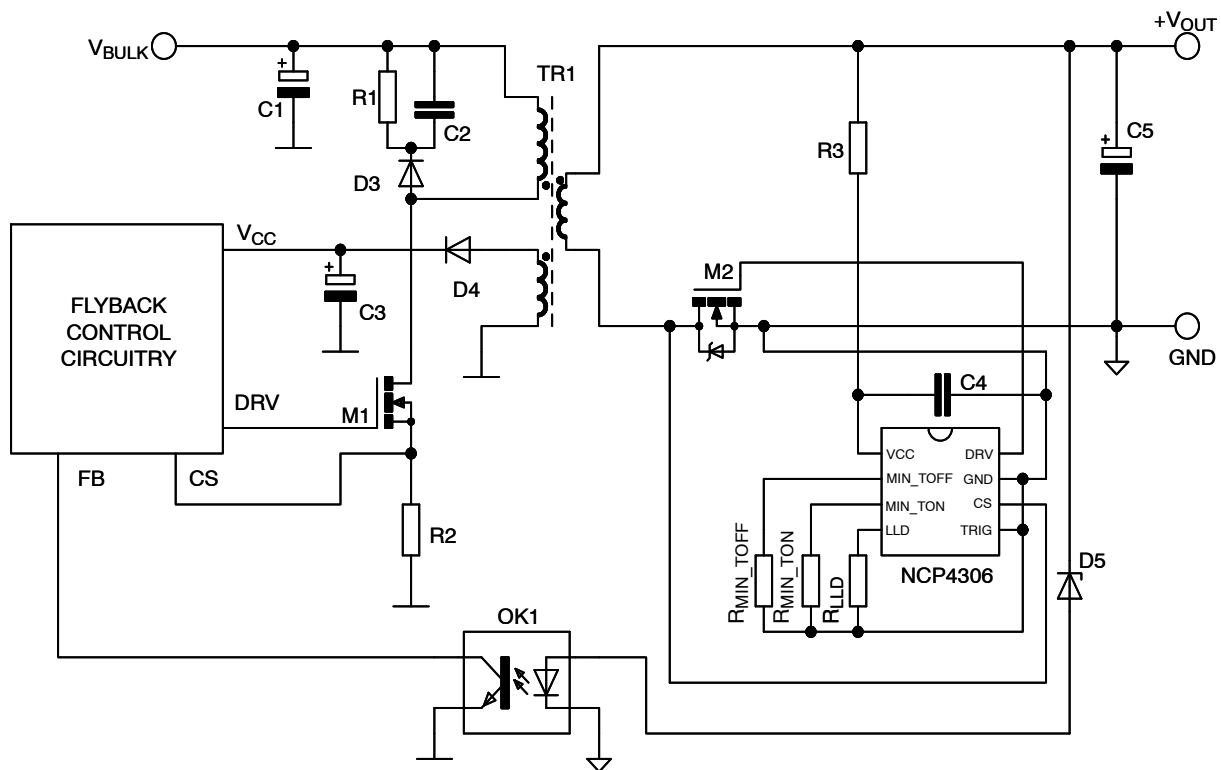


Figure 2. Typical Application Example – DCM, CCM or QR Flyback Converter with optional LLD and disabled TRIG

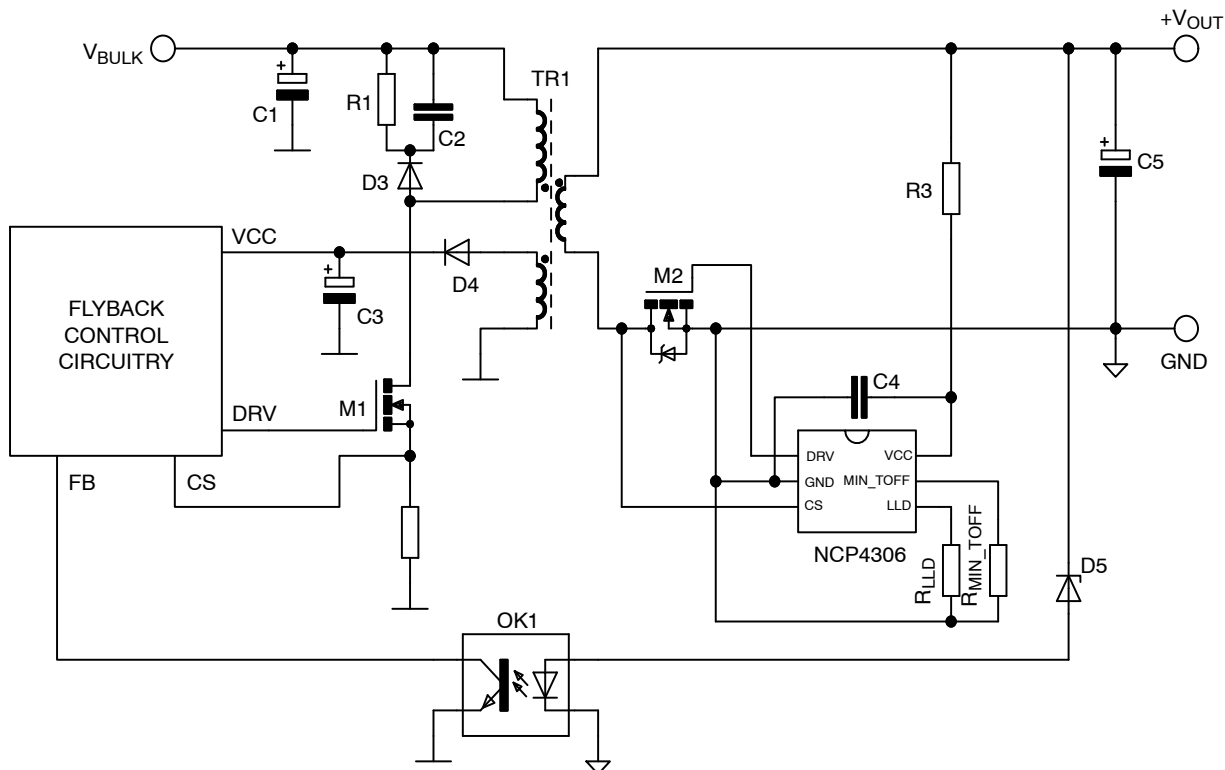
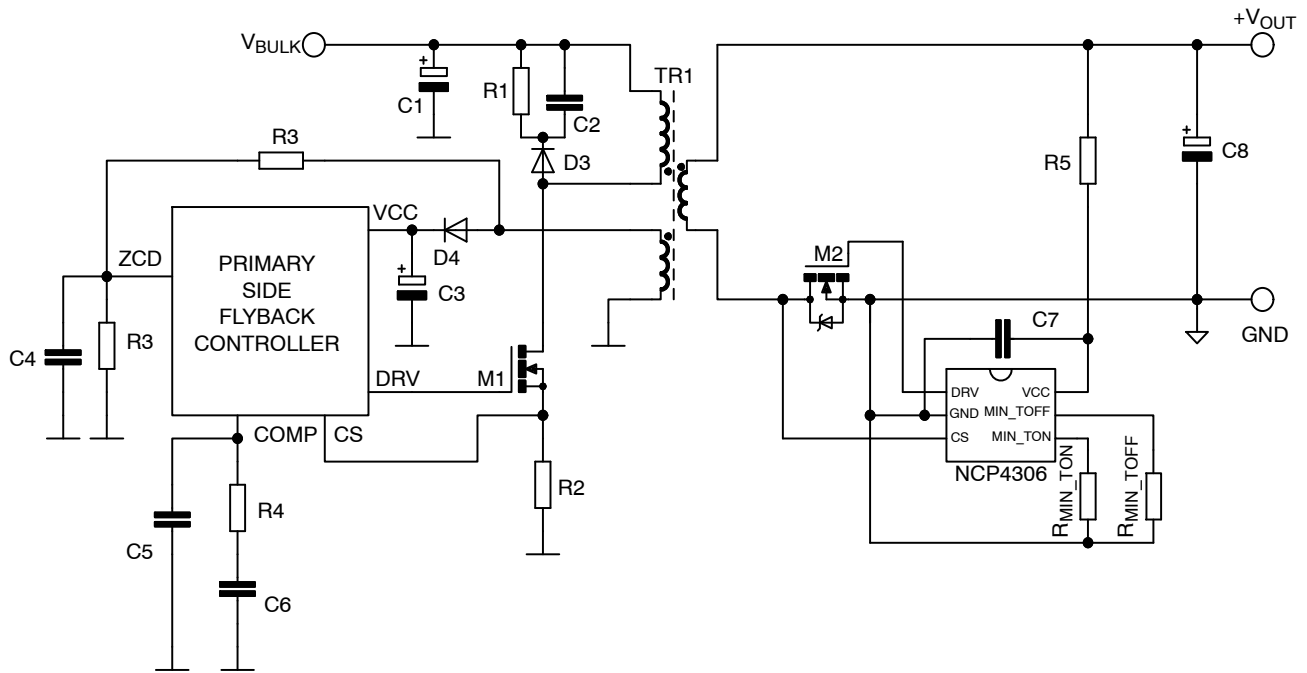


Figure 3. Typical Application Example – DCM, CCM or QR Flyback Converter with NCP4306 in TSOP6 (v Cxxxxxx)

# NCP4306



**Figure 4. Typical Application Example – Primary Side Flyback Converter and NCP4306 in TSOP6**

## PIN FUNCTION DESCRIPTION

**Table 2. PIN FUNCTION DESCRIPTION**

TSOP6 Bxxxxxx	TSOP6 Cxxxxxx	TSOP6 Dxxxxxx	TSOP6 Exxxxxx	TSOP6 Fxxxxxx	TSOP6 Gxxxxxx	SOIC8, DFN8 Axxxxxx	Pin Name	Description
6	6	6	6	6	6	1	VCC	Supply voltage pin
-	5	5	5	-	-	2	MIN_TOFF	Adjust the minimum off time period by connecting resistor to ground
5	-	4	-	5	-	3	MIN_TON	Adjust the minimum on time period by connecting resistor to ground
4	4	-	-	-	4	4	LLD	This input modulates the driver clamp level and / or turns the driver off during light load conditions
-	-	-	4	4	5	5	TRIG / DIS	Ultrafast turn-off input that can be used to turn off the SR MOSFET in CCM applications in order to improve efficiency. Activates disable mode if pulled-up for more than 100 $\mu$ s
3	3	3	3	3	3	6	CS	Current sense pin detects if the current flows through the SR MOSFET and / or its body diode
2	2	2	2	2	2	7	GND	Ground connection for the SR MOSFET driver and $V_{CC}$ decoupling capacitor. Ground connection for minimum $t_{ON}$ and $t_{OFF}$ adjust resistors, LLD and trigger inputs. GND pin should be wired directly to the SR MOSFET source terminal / soldering point using Kelvin connection. DFN8 exposed flag should be connected to GND.
1	1	1	1	1	1	8	DRV	Driver output for the SR MOSFET

# NCP4306

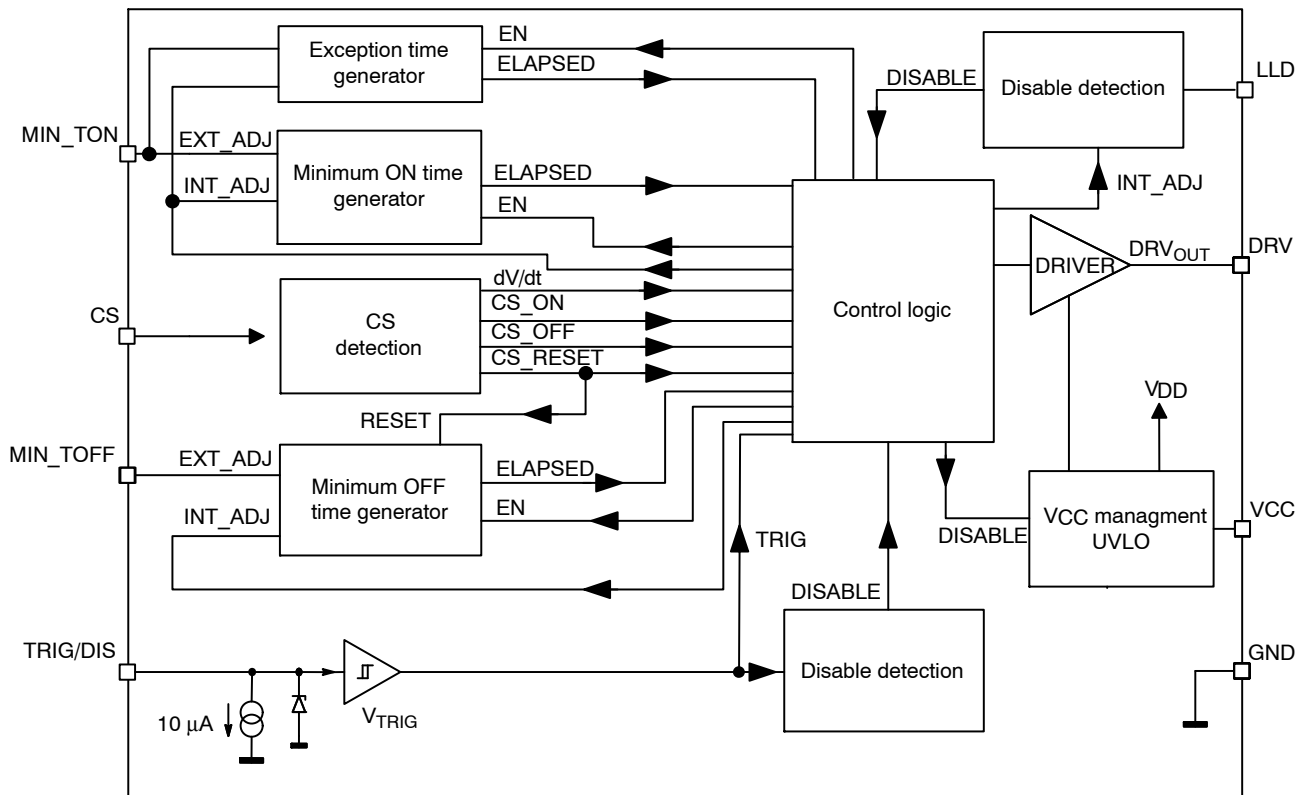


Figure 5. Internal Circuit Architecture – NCP4306

## ABSOLUTE MAXIMUM RATINGS

Table 3. ABSOLUTE MAXIMUM RATINGS

Rating	Symbol	Value	Unit
Supply Voltage	$V_{CC}$	-0.3 to 37.0	V
TRIG / DIS, MIN_TON, MIN_TOFF, LLD Input Voltage (Note 3)	$V_{TRIG / DIS}, V_{MIN\_TON}, V_{MIN\_TOFF}, V_{LLD}$	-0.3 to $V_{CC}$	V
Driver Output Voltage	$V_{DRV}$	-0.3 to 17.0	V
Current Sense Input Voltage	$V_{CS}$	-4 to 200	V
Current Sense Dynamic Input Voltage ( $t_{PW} = 200$ ns)	$V_{CS\_DYN}$	-10 to 200	V
MIN_TON, MIN_TOFF, LLD, TRIG Input Current	$I_{MIN\_TON}, I_{MIN\_TOFF}, I_{LLD}, I_{TRIG}$	-10 to 10	mA
DRV Pin Current ( $t_{PW} = 10$ $\mu$ s)	$I_{DRV\_DYN}$	-3 to 12	A
VCC Pin Current ( $t_{PW} = 10$ $\mu$ s)	$I_{VCC\_DYN}$	3	A
Junction to Air Thermal Resistance, 1 oz 1 in2 Copper Area, SOIC8	$R_{\theta J-A\_SOIC8}$	200	$^{\circ}C / W$
Junction to Air Thermal Resistance, 1 oz 1 in2 Copper Area TSOP6	$R_{\theta J-A\_TSOP6}$	250	$^{\circ}C / W$
Junction to Air Thermal Resistance, 1 oz 1 in2 Copper Area DFN8 4x4	$R_{\theta J-A\_DFN8\_4x4}$	80	$^{\circ}C / W$
Junction to Air Thermal Resistance, 1 oz 1 in2 Copper Area DFN8 2x2.2	$R_{\theta J-A\_DFN8\_2x2.2}$	85	$^{\circ}C / W$
Maximum Junction Temperature	$T_{JMAX}$	150	$^{\circ}C$
Storage Temperature	$T_{STG}$	-60 to 150	$^{\circ}C$
ESD Capability, Human Body Model (except pin CS) (Note 1)	$ESD_{HBM}$	2000	V
ESD Capability, Human Body Model Pin CS	$ESD_{HBM}$	600	V
ESD Capability, Machine Model (Note 1)	$ESD_{MM}$	200	V
ESD Capability, Charged Device Model (Note 1)	$ESD_{CDM}$	Class C3	-

Stresses exceeding those listed in the Maximum Ratings table may damage the device. If any of these limits are exceeded, device functionality should not be assumed, damage may occur and reliability may be affected.

- This device series contains ESD protection and exceeds the following tests:  
 Except pin CS: Human Body Model 2000 V per JEDEC Standard JESD22-A114E.  
 All pins: Machine Model Method 200 V per JEDEC Standard JESD22-A115-A  
 Charged Machine Model per JEDEC Standard JESD22-C101F
- This device meets latchup tests defined by JEDEC Standard JESD78D.
- If voltage higher than 22 V is connected to pin, pin input current increases. Internal ESD clamp contains 24 V Zener diode with 3 k $\Omega$  in series. It is recommended to add serial resistance in case of higher input voltage to limit input pin current.

Table 4. RECOMMENDED OPERATING CONDITION

Parameter	Symbol	Min	Max	Unit
Maximum Operating Voltage	$V_{CC}$		35	V
Operating Junction Temperature	$T_J$	-40	125	$^{\circ}C$

## ELECTRICAL CHARACTERISTICS

**Table 5. ELECTRICAL CHARACTERISTICS**

–40 °C ≤ T<sub>J</sub> ≤ 125 °C; V<sub>CC</sub> = 12 V; C<sub>DRV</sub> = 0 nF; R<sub>MIN\_TON</sub> = R<sub>MIN\_TOFF</sub> = 10 kΩ or internally set values; V<sub>LLD</sub> = 3.0 V or LLD internally disabled; V<sub>TRIG/DIS</sub> = 0 V; V<sub>CS</sub> = 4 V, unless otherwise noted. Typical values are at T<sub>J</sub> = +25 °C

Parameter	Test Conditions	Symbol	Min	Typ	Max	Unit	
<b>SUPPLY SECTION</b>							
V <sub>CC</sub> UVLO	V <sub>CC</sub> rising	V <sub>CCON</sub>	3.7	4.0	4.2	V	
	V <sub>CC</sub> falling	V <sub>CCOFF</sub>	3.2	3.5	3.7		
V <sub>CC</sub> UVLO Hysteresis		V <sub>CCHYS</sub>		0.5		V	
Start-up Delay	V <sub>CC</sub> rising from 0 to V <sub>CCON</sub> + 1 V @ tr = 10 μs	t <sub>START_DEL</sub>		50	80	μs	
Current Consumption, t <sub>MIN_TON</sub> = t <sub>MIN_TOFF</sub> = 1 μs, t <sub>LLD</sub> = 130 μs	C <sub>DRV</sub> = 0 nF, f <sub>CS</sub> = 100 kHz	xAxxxxx	I <sub>CC</sub>		1.8	2.5	mA
		xBxxxxx			1.7	2.4	
	C <sub>DRV</sub> = 1 nF, f <sub>CS</sub> = 100 kHz	xAxxxxx			2.8	4.0	
		xBxxxxx			2.1	3.4	
	C <sub>DRV</sub> = 10 nF, f <sub>CS</sub> = 100 kHz	xAxxxxx			12	15	
		xBxxxxx			6.7	9.0	
Current Consumption		I <sub>CC</sub>		1.4	2.2	mA	
Current Consumption below UVLO	V <sub>CC</sub> = V <sub>CCOFF</sub> – 0.1 V	I <sub>CC_UVLO</sub>		35	60	μA	
Current Consumption in Disable Mode	t > t <sub>LLD</sub> , V <sub>LLD</sub> = 0.55 V	I <sub>CC_DIS</sub>		60	100	μA	
	V <sub>TRIG/DIS</sub> = 5 V; V <sub>LLD</sub> = 0.55 V			60	100		
	t > t <sub>LLD</sub> , LLD set internally			37	80		
	V <sub>TRIG/DIS</sub> = 5 V, LLD set internally			37	80		
<b>DRIVER OUTPUT</b>							
Output Voltage Rise–Time	C <sub>DRV</sub> = 10 nF, 10 % to 90 % V <sub>DRVMAX</sub> , V <sub>CS</sub> = 4 to –1 V	t <sub>r</sub>		60	100	ns	
Output Voltage Fall–Time	C <sub>DRV</sub> = 10 nF, 90 % to 10 % V <sub>DRVMAX</sub> , V <sub>CS</sub> = –1 to 4 V	t <sub>f</sub>		25	45	ns	
Driver Source Resistance		R <sub>DRV_SOURCE</sub>		2		Ω	
Driver Sink Resistance		R <sub>DRV_SINK</sub>		0.5		Ω	
Output Peak Source Current		I <sub>DRV_SOURCE</sub>		2		A	
Output Peak Sink Current		I <sub>DRV_SINK</sub>		7		A	
Maximum Driver Pulse Length		t <sub>DRV_ON_MAX</sub>		4		ms	
Maximum Driver Output Voltage	V <sub>CC</sub> = 35 V, C <sub>DRV</sub> > 1 nF, (ver. xAxxxxx)	V <sub>DRVMAX</sub>		9	10	11	V
	V <sub>CC</sub> = 35 V, C <sub>DRV</sub> > 1 nF, (ver. xBxxxxx)			4.5	5.0	5.5	
Minimum Driver Output Voltage	V <sub>CC</sub> = V <sub>CCOFF</sub> + 200 mV, (ver. xAxxxxx)	V <sub>DRVMIN</sub>		3.4	3.7	3.9	V
	V <sub>CC</sub> = V <sub>CCOFF</sub> + 200 mV, (ver. xBxxxxx)			3.4	3.7	3.9	
<b>CS INPUT</b>							
Total Propagation Delay From CS to DRV Output On	V <sub>CS</sub> goes down from 4 to –1 V, t <sub>f_CS</sub> ≤ 5 ns	t <sub>PD_ON</sub>		30	60	ns	
Total Propagation Delay From CS to DRV Output Off	V <sub>CS</sub> goes up from –1 to 4 V, t <sub>r_CS</sub> ≤ 5 ns	t <sub>PD_OFF</sub>		13	23	ns	
Turn On CS Threshold Voltage		V <sub>TH_CS_ON</sub>	–120	–75	–40	mV	
Turn Off CS Threshold Voltage	Guaranteed by Design	V <sub>TH_CS_OFF</sub>	–1		0	mV	
Turn Off Timer Reset Threshold Voltage		V <sub>TH_CS_RESET</sub>	0.4	0.5	0.6	V	
CS Leakage Current	V <sub>CS</sub> = 200 V	I <sub>CS_LEAKAGE</sub>			500	nA	
dV / dt Detector High Threshold		V <sub>CS_DVDT_H</sub>		3.0		V	

# NCP4306

**Table 5. ELECTRICAL CHARACTERISTICS** (continued)

–40 °C ≤ T<sub>J</sub> ≤ 125 °C; V<sub>CC</sub> = 12 V; C<sub>DRV</sub> = 0 nF; R<sub>MIN\_TON</sub> = R<sub>MIN\_TOFF</sub> = 10 kΩ or internally set values; V<sub>LLD</sub> = 3.0 V or LLD internally disabled; V<sub>TRIG / DIS</sub> = 0 V; V<sub>CS</sub> = 4 V, unless otherwise noted. Typical values are at T<sub>J</sub> = +25 °C

Parameter	Test Conditions	Symbol	Min	Typ	Max	Unit
<b>CS INPUT</b>						
dV / dt Detector Low Threshold		V <sub>CS_DVDT_L</sub>		0.5		V
dV / dt Detector Threshold	(Note 4) ver. xxDxxxx	t <sub>dV / dt</sub>	13	25	37	ns
<b>TRIGGER DISABLE INPUT</b>						
Minimum Trigger Pulse Duration	V <sub>TRIG / DIS</sub> = 5 V; Shorter pulses may not be proceeded	t <sub>TRIG_PW_MIN</sub>			10	ns
Trigger Threshold Voltage		V <sub>TRIG_TH</sub>	1.6	2.0	2.2	V
Trigger to DRV Propagation Delay	V <sub>TRIG / DIS</sub> goes from 0 to 5 V, t <sub>r</sub> <sub>TRIG / DIS</sub> ≤ 5 ns	t <sub>PD_TRIG</sub>		10.0	16.5	ns
Trigger Blank Time After DRV Turn-on Event	V <sub>CS</sub> drops below V <sub>TH_CS_ON</sub>	t <sub>TRIG_BLANK</sub>	30	55	80	ns
Delay to Disable Mode	V <sub>TRIG / DIS</sub> goes from 0 to 5 V	t <sub>DIS_TIM</sub>	75	100	125	μs
Disable Recovery Timer	V <sub>TRIG / DIS</sub> goes down from 5 to 0 V; t <sub>MIN_TOFF</sub> = 130 ns	t <sub>DIS_REC</sub>		1.5	3.0	μs
Minimum Pulse Duration to Disable Mode End	V <sub>TRIG / DIS</sub> = 0 V; Shorter pulses may not be proceeded	t <sub>DIS_END</sub>			200	ns
Pull Down Current	V <sub>TRIG / DIS</sub> = 5 V	I <sub>TRIG / DIS</sub>	7	11	15	μA
Maximum Transition Time	V <sub>TRIG / DIS</sub> goes from 1 to 3 V or from 3 to 1 V	t <sub>TRIG_TRAN</sub>			10	μs
<b>MINIMUM T<sub>ON</sub> AND T<sub>OFF</sub> ADJUST</b>						
Minimum t <sub>ON</sub> time	R <sub>MIN_TON</sub> = 0 Ω (ver. xxxZxxx)	t <sub>ON_MIN</sub>		55		ns
Minimum t <sub>OFF</sub> time	R <sub>MIN_TOFF</sub> = 0 Ω (ver. xxxxZxx)	t <sub>OFF_MIN</sub>		70		ns
Minimum t <sub>ON</sub> time	R <sub>MIN_TON</sub> = 10 kΩ (ver. xxxZxxx)	t <sub>ON_MIN</sub>	0.90	1.00	1.10	μs
Minimum t <sub>OFF</sub> time	R <sub>MIN_TOFF</sub> = 10 kΩ (ver. xxxxZxx)	t <sub>OFF_MIN</sub>	0.90	1.00	1.10	μs
Minimum t <sub>ON</sub> time	R <sub>MIN_TON</sub> = 50 kΩ (ver. xxxZxxx)	t <sub>ON_MIN</sub>	4.50	5.00	5.50	μs
Minimum t <sub>OFF</sub> time	R <sub>MIN_TOFF</sub> = 50 kΩ (ver. xxxxZxx)	t <sub>OFF_MIN</sub>	4.40	4.90	5.40	μs
Internal minimum t <sub>ON</sub> time	t <sub>ON_MIN</sub> = 130 ns, (ver. xxxAxxx)	t <sub>ON_MIN</sub>	-20%	t <sub>ON_MIN</sub>	+20%	ns
	t <sub>ON_MIN</sub> = 220, 310, 400 ns (ver. xxx[B-D]xxx)	t <sub>ON_MIN</sub>	-15%	t <sub>ON_MIN</sub>	+15%	ns
	t <sub>ON_MIN</sub> = 500, 600, 700, 800, 1000, 1200, 1400, 1700, 2000 ns (ver. xxx[E-M]xxx)	t <sub>ON_MIN</sub>	-10%	t <sub>ON_MIN</sub>	+10%	ns
Internal minimum t <sub>OFF</sub> time	t <sub>OFF_MIN</sub> = 0.9, 1.0, 1.1, 1.2, 1.4, 1.6, 1.8, 2.0, 2.2, 2.4, 2.6, 2.9, 3.2, 3.5, 3.9 μs (ver. xxxx[A-O]xx)	t <sub>OFF_MIN</sub>	-10%	t <sub>OFF_MIN</sub>	+10%	μs
<b>LLD ADJUST</b>						
LLD Pull Up Current	(ver. xxxxxZx)	I <sub>LLD</sub>	-21	-20	-19	μA
LLD Time Selection	IC disabled	V <sub>LLD</sub>			0.3	V
	t <sub>LLD</sub> = 68 μs		0.40	0.51	0.63	
	t <sub>LLD</sub> = 130 μs		0.75	0.89	1.03	
	t <sub>LLD</sub> = 280 μs		1.15	1.32	1.50	
	t <sub>LLD</sub> = 540 μs		1.68	1.82	1.97	
	t <sub>LLD</sub> = 1075 μs		2.20	2.50	2.70	
	LLD function disabled		3.10			
LLD Main Time	V <sub>LLD</sub> = 0.51 V or ver. xxxxAx	t <sub>LLD</sub>	53	68	83	μs
	V <sub>LLD</sub> = 0.89 V or ver. xxxxBx		100	130	160	
	V <sub>LLD</sub> = 1.32 V or ver. xxxxCx		220	280	340	
	V <sub>LLD</sub> = 1.82 V or ver. xxxxDx		420	540	660	
	V <sub>LLD</sub> = 2.45 V or ver. xxxxEx		840	1075	1310	

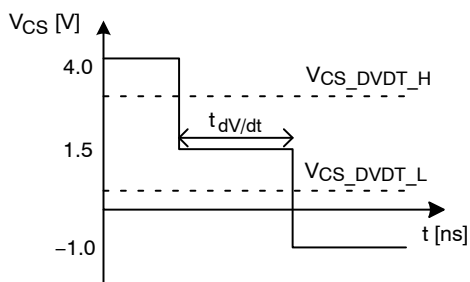
# NCP4306

**Table 5. ELECTRICAL CHARACTERISTICS** (continued)

$-40\text{ }^{\circ}\text{C} \leq T_J \leq 125\text{ }^{\circ}\text{C}$ ;  $V_{CC} = 12\text{ V}$ ;  $C_{DRV} = 0\text{ nF}$ ;  $R_{MIN\_TON} = R_{MIN\_TOFF} = 10\text{ k}\Omega$  or internally set values;  $V_{LLD} = 3.0\text{ V}$  or LLD internally disabled;  $V_{TRIG/DIS} = 0\text{ V}$ ;  $V_{CS} = 4\text{ V}$ , unless otherwise noted. Typical values are at  $T_J = +25\text{ }^{\circ}\text{C}$

Parameter	Test Conditions	Symbol	Min	Typ	Max	Unit
<b>LLD ADJUST</b>						
LLD Reduced Time	Disable mode activated	$t_{LLD\_RED}$		$0.5 \times t_{LLD}$		$\mu\text{s}$
LLD Blanking Time		$t_{LLD\_BLK}$		$0.25 \times t_{LLD}$		$\mu\text{s}$
Disable Recovery Time	$t_{MIN\_TOFF} = 130\text{ ns}$	$t_{LLD\_DIS\_REC}$		1.5	3.0	$\mu\text{s}$
<b>EXCEPTION TIMER</b>						
Exception Time	(ver. xxHxxxx)	$t_{EXC}$		$4 \times t_{MIN\_TON}$		$\mu\text{s}$
Exception Timer Ratio Accuracy		Ratio <sub>EXC</sub>	-15		+15	%

4. Test signal:



**Figure 6. Test Signal**

TYPICAL CHARACTERISTICS

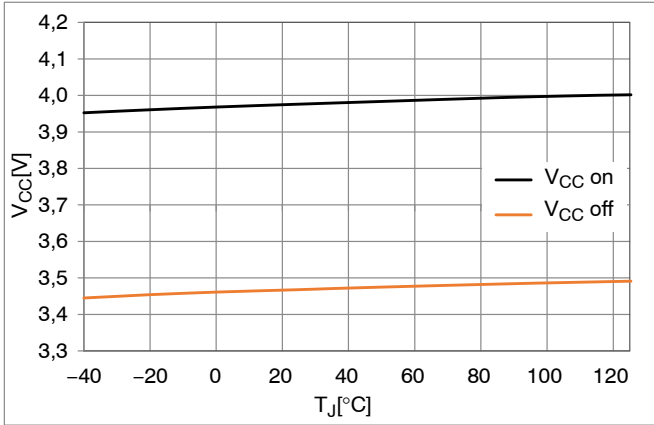


Figure 7. V<sub>CCON</sub> and V<sub>CCOFF</sub> Levels

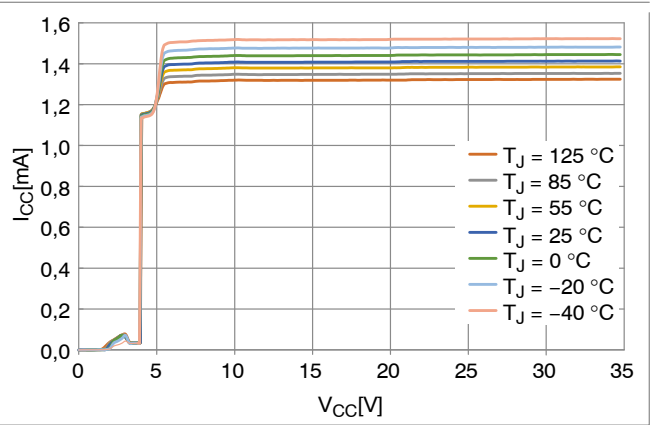


Figure 8. Current Consumption V<sub>CS</sub> = 4 V

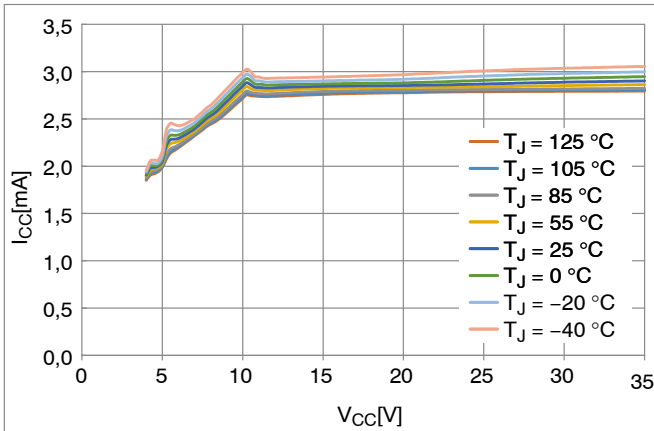


Figure 9. Current Consumption, f<sub>CS</sub> = 100 kHz, C<sub>DRV</sub> = 1 nF, Ver. xAxxxxx

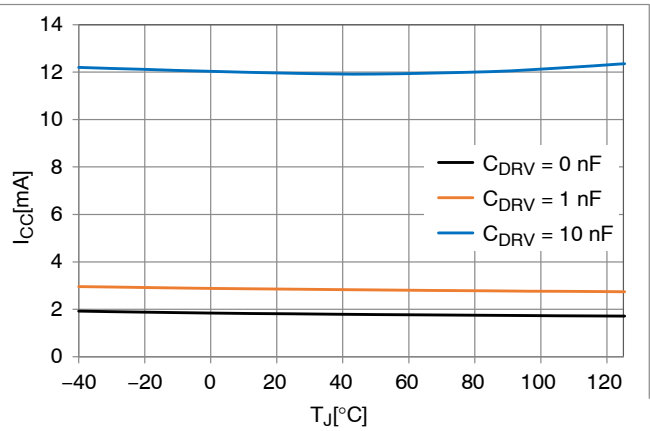


Figure 10. Current Consumption, f<sub>CS</sub> = 100 kHz, Ver. xAxxxxx

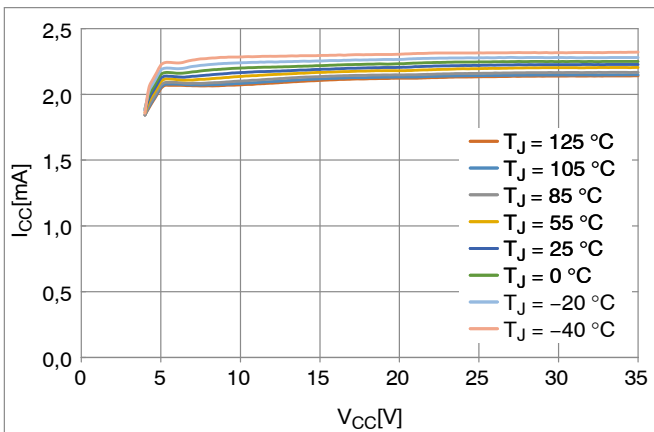


Figure 12. Current Consumption, f<sub>CS</sub> = 100 kHz, C<sub>DRV</sub> = 1 nF, Ver. xBxxxx

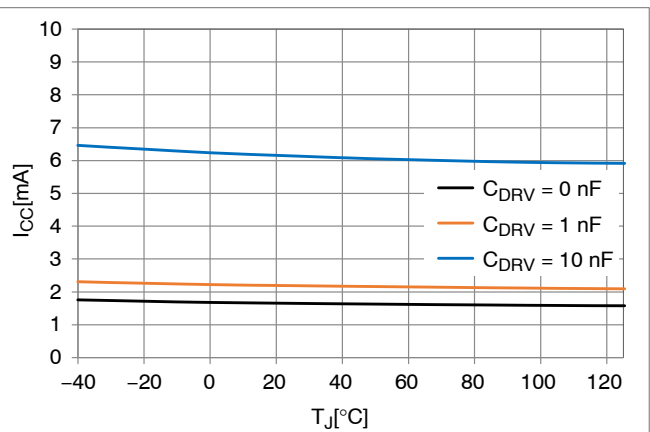


Figure 11. Current Consumption, f<sub>CS</sub> = 100 kHz, Ver. xBxxxx

# NCP4306

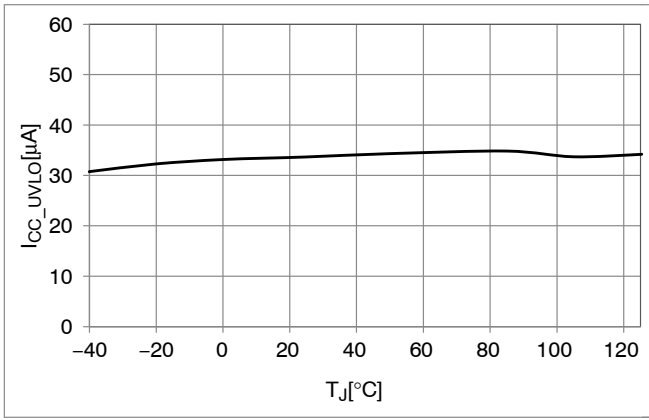


Figure 13. Current Consumption below UVLO,  
 $V_{CC} = V_{CCOFF} - 0.1 V$

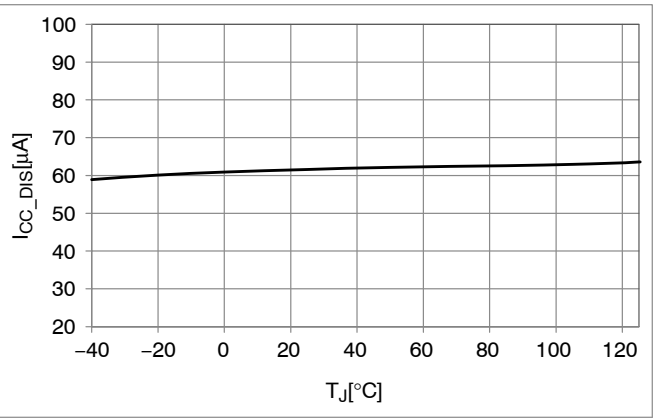


Figure 14. Current Consumption in Disable Mode  
 $V_{CS} = 4 V, t > t_{LLD}$

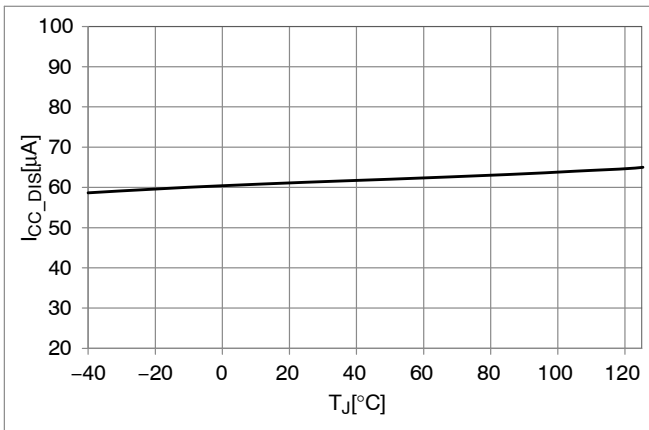


Figure 15. Current Consumption in Disable Mode,  
 $V_{TRIG/DIS} = 5 V$

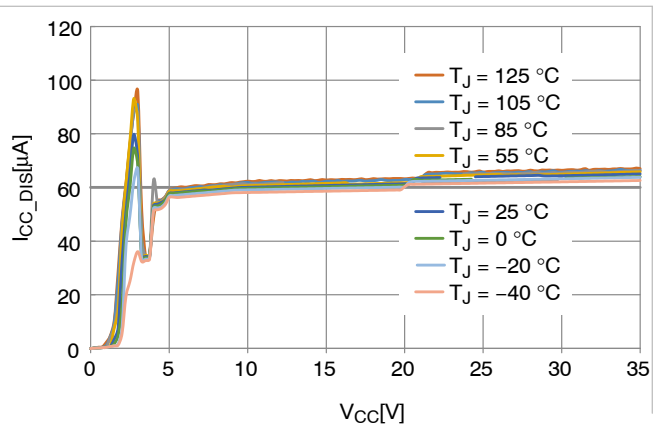


Figure 16. Current Consumption in Disable Mode,  
 $V_{CS} = 4 V, t > t_{LLD}$

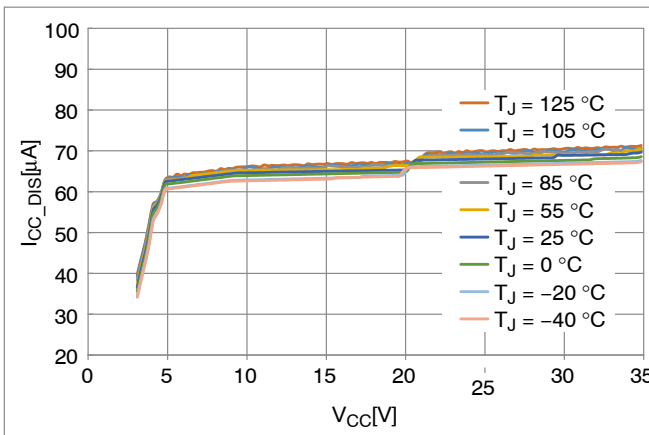


Figure 17. Current Consumption in Disable Mode,  
 $V_{TRIG/DIS} = 5 V$

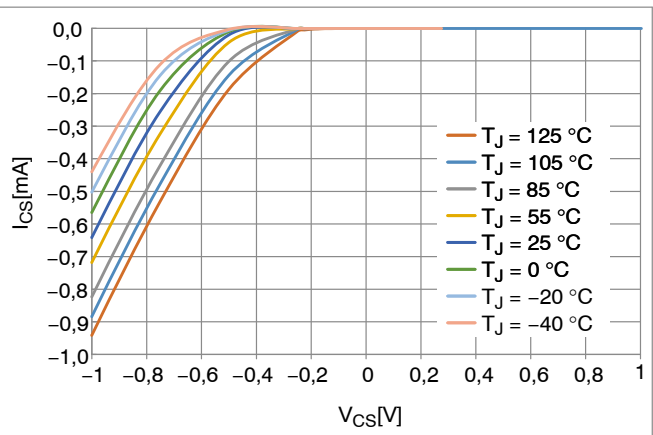


Figure 18. CS Input Current

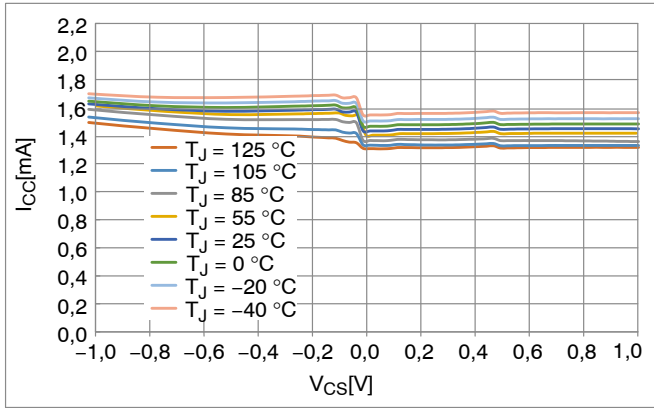


Figure 19. Supply Current vs. CS Voltage

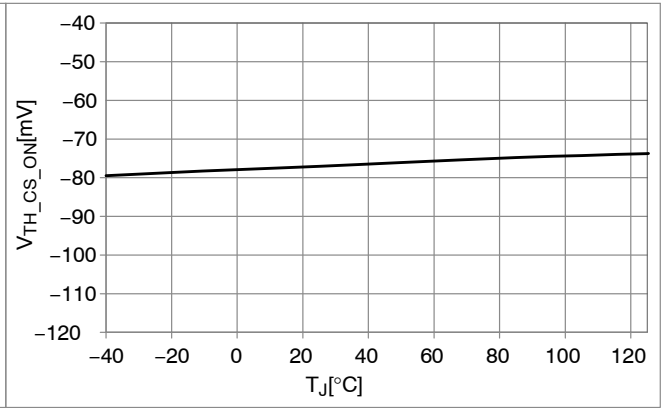


Figure 20. CS Turn-on Threshold

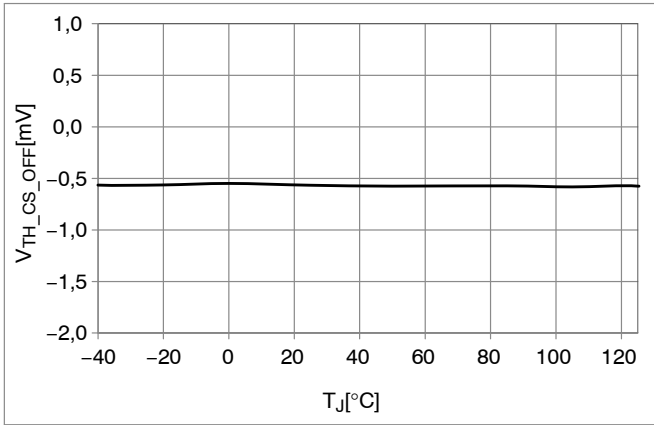


Figure 21. CS turn-off Threshold

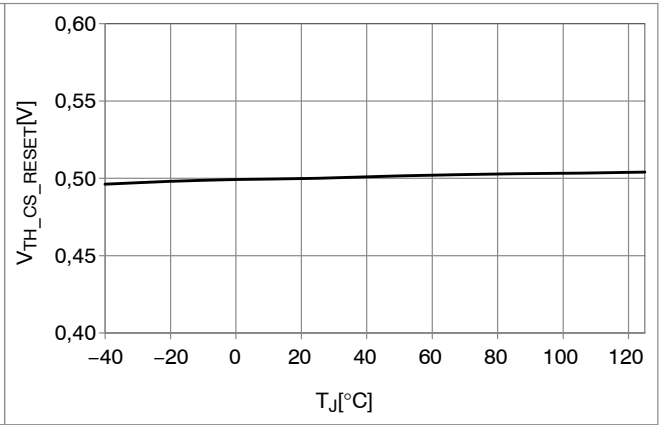


Figure 22. CS Reset Threshold

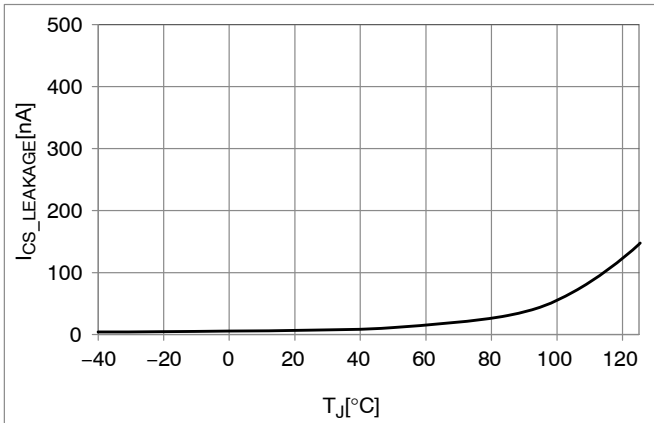


Figure 23. CS Input Leakage  $V_{CS} = 200 V$

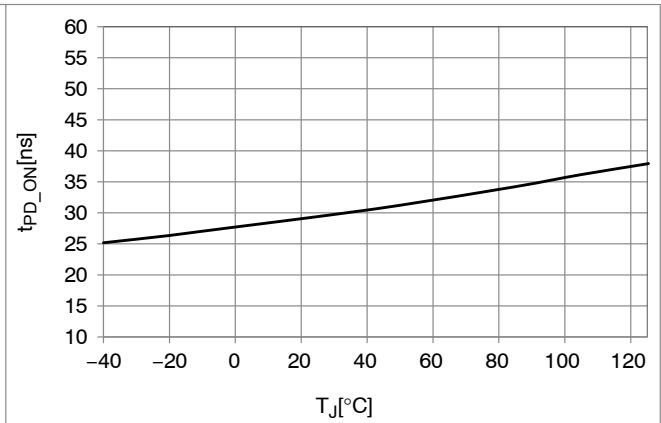
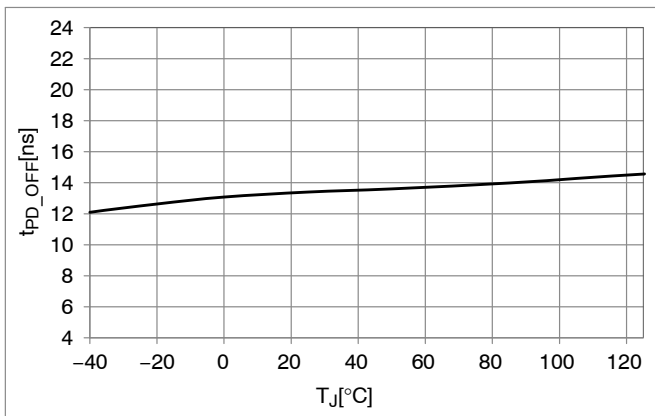
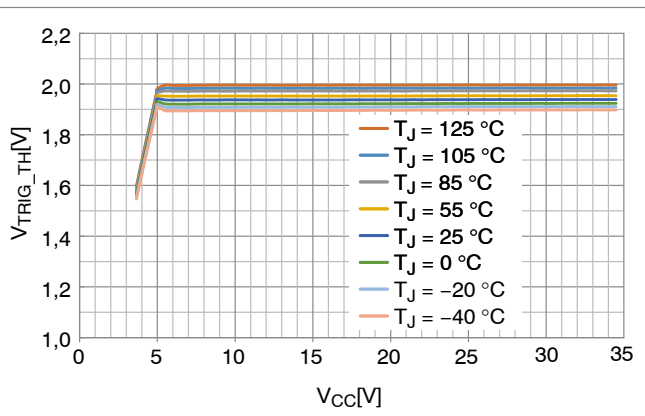


Figure 24. Propagation Delay from CS to DRV Output On

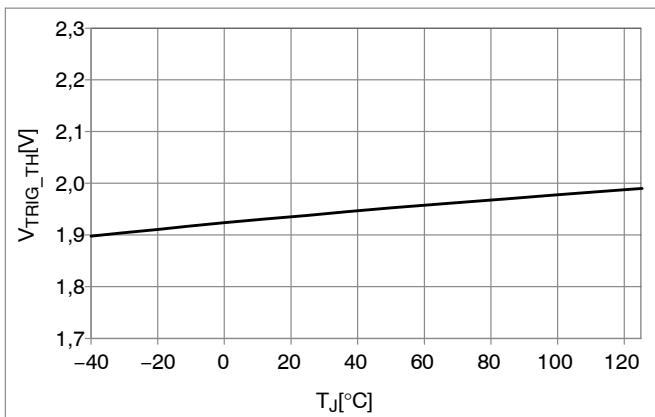
# NCP4306



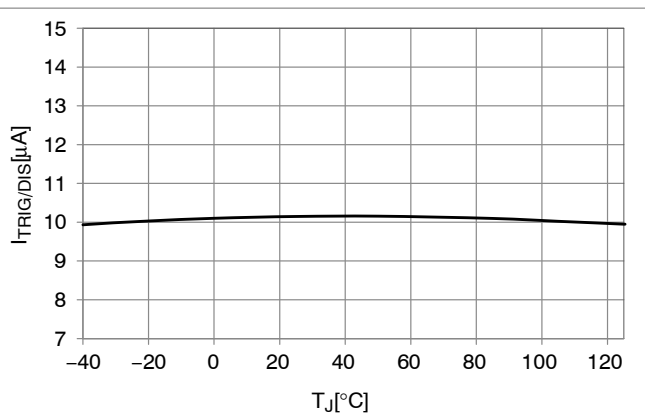
**Figure 25. Propagation Delay from CS to DRV Output Off**



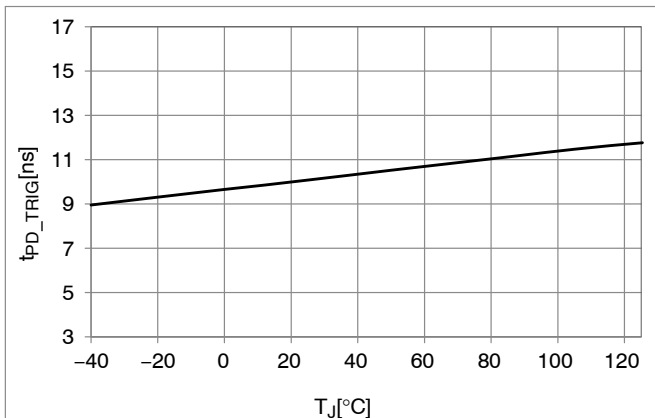
**Figure 26. Trigger Pin Threshold**



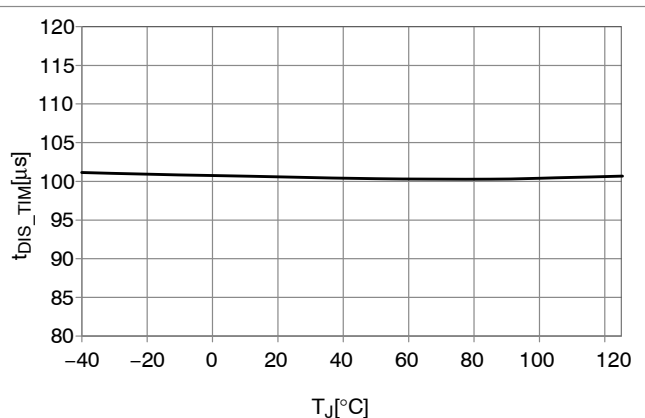
**Figure 27. Trigger Pin Threshold**



**Figure 28. Trigger Pin Pull Down Current**



**Figure 29. Propagation Delay from TRIG to DRV Output Off**



**Figure 30. Delay to Disable Mode, V<sub>TRIG/DIS</sub> = 5 V**

# NCP4306

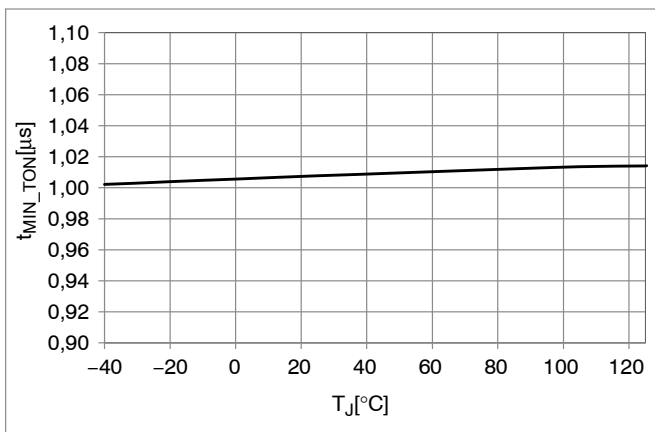


Figure 31. Minimum on Time  $R_{MIN\_TON} = 10\text{ k}\Omega$

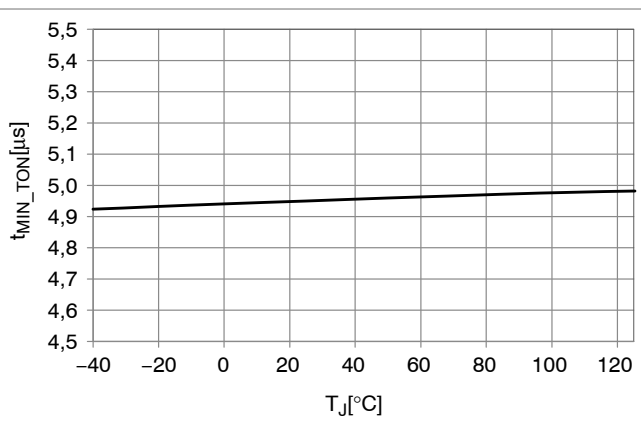


Figure 32. Minimum on Time  $R_{MIN\_TON} = 50\text{ k}\Omega$

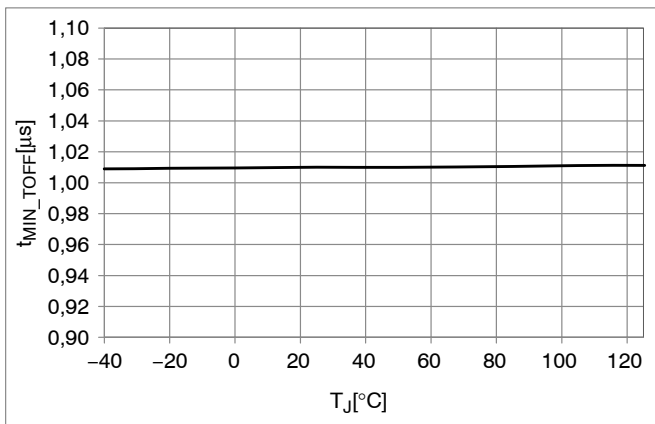


Figure 33. Minimum on Time  $R_{MIN\_TOFF} = 10\text{ k}\Omega$

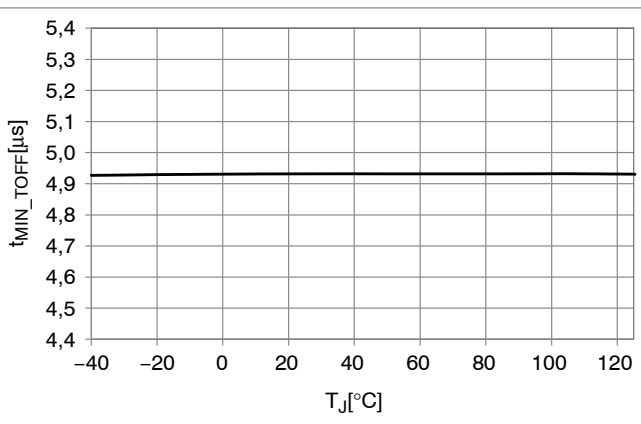


Figure 34. Minimum on Time  $R_{MIN\_TOFF} = 50\text{ k}\Omega$

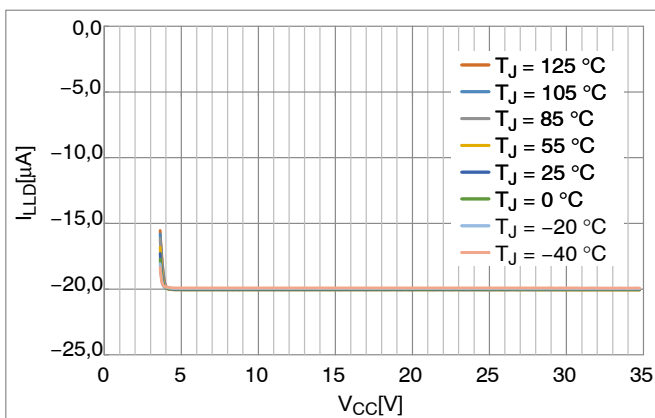


Figure 35. LLD Current,  $V_{LLD} = 3.0\text{ V}$

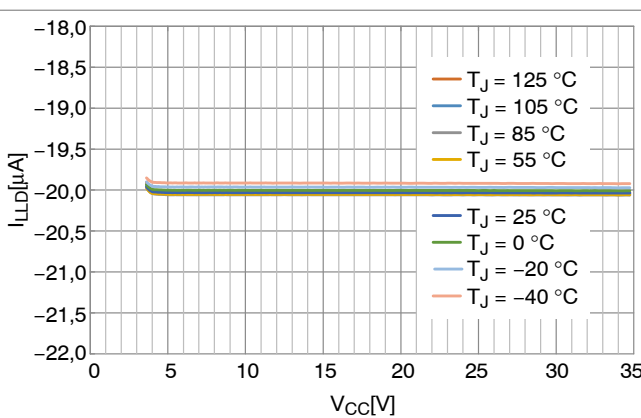


Figure 36. LLD current,  $V_{LLD} = 2.5\text{ V}$

# NCP4306

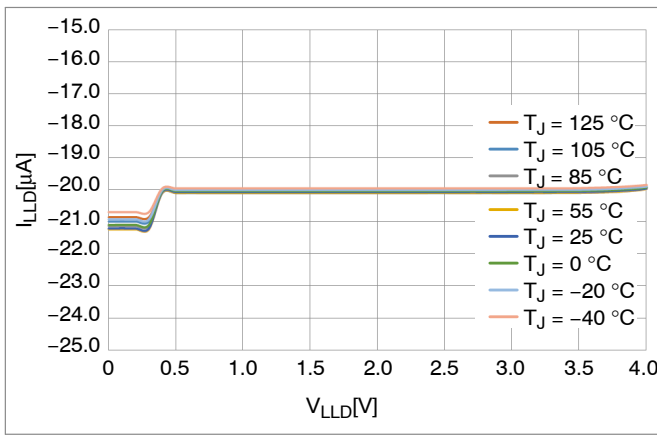


Figure 37. LLD Current

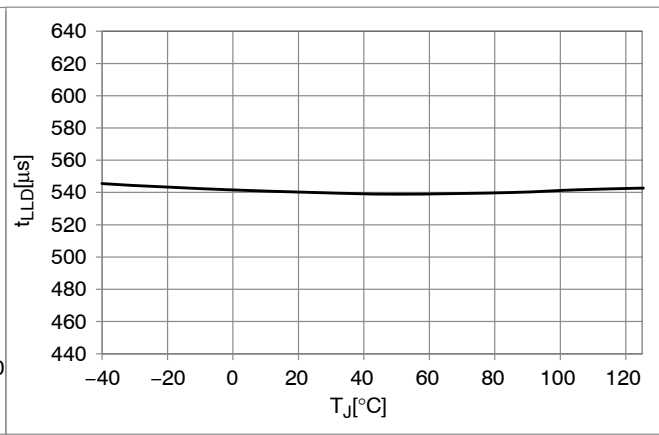


Figure 38. LLD Time,  $V_{LLD} = 1.82$  V (or Internal Option)

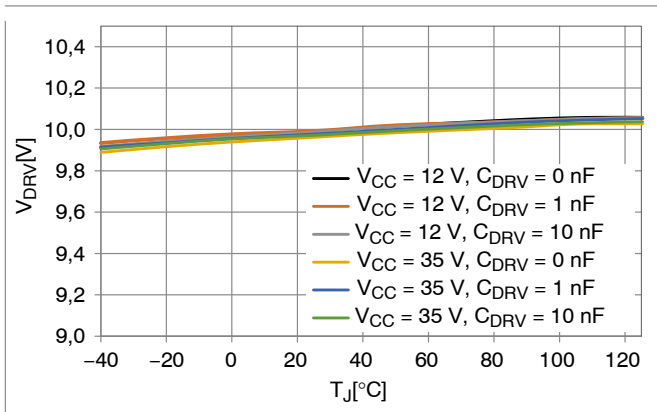


Figure 39. Driver Output Voltage, Ver. xAxxxxx

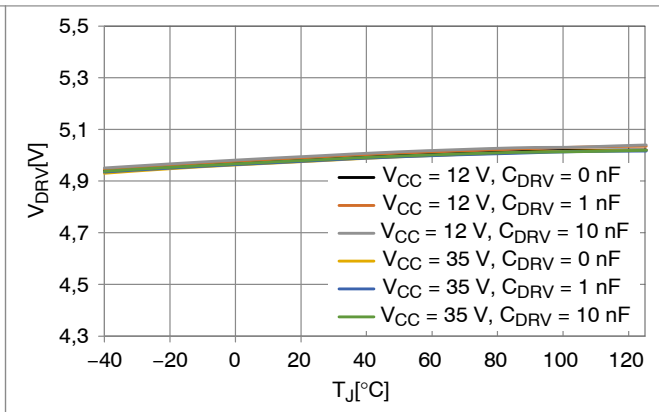


Figure 40. Driver Output Voltage, Ver. xBxxxxx

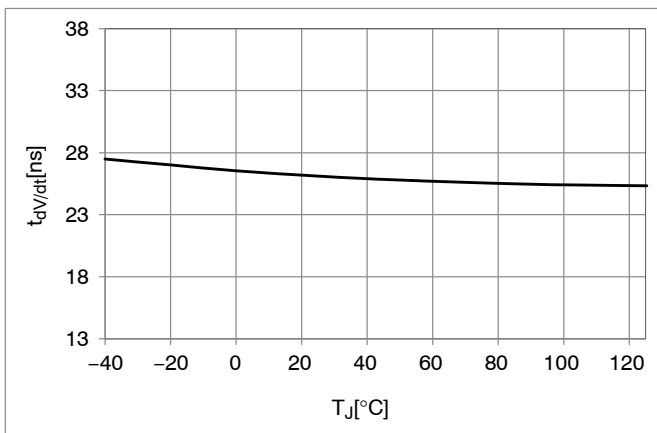


Figure 41. dV/dt Detector Time Threshold, Ver. xxDxxxx

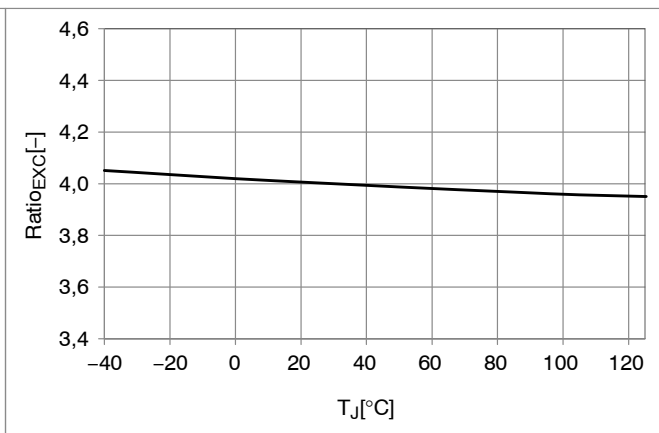


Figure 42. Exception Timer Ratio to  $t_{MIN\_TON}$ , Ver. xxHxxxx

## GENERAL DESCRIPTION

The NCP4306 is designed to operate either as a standalone IC or as a companion IC to a primary side controller to help achieve efficient synchronous rectification in switch mode power supplies. This controller features a high current gate driver along with high-speed logic circuitry to provide appropriately timed drive signals to a synchronous rectification MOSFET. With its novel architecture, the NCP4306 has enough versatility to keep the synchronous rectification system efficient under any operating mode.

The NCP4306 works from an available voltage with range from 4.0 / 3.5 V to 35 V (typical). The wide  $V_{CC}$  range allows direct connection to the SMPS output voltage of most adapters such as notebooks, cell phone chargers and LCD TV adapters.

Precise turn-off threshold of the current sense comparator together with an accurate offset current source allows the user to adjust for any required turn-off current threshold of the SR MOSFET switch using a single resistor. Compared to other SR controllers that provide turn-off thresholds in the range of  $-10$  mV to  $-5$  mV, the NCP4306 offers a turn-off threshold of 0 mV. When using a low  $R_{DS\_ON}$  SR (1 m $\Omega$ ) MOSFET our competition, with a  $-10$  mV turn off, will turn off with 10 A still flowing through the SR FET, while our 0 mV turn off turns off the FET at 0 A; significantly reducing the turn-off current threshold and improving efficiency. Many of the competitor parts maintain a drain source voltage across the MOSFET causing the SR MOSFET to operate in the linear region to reduce turn-off time. Thanks to the 6 A sink current of the NCP4306 significantly reduces turn off time allowing for a minimal drain source voltage to be utilized and efficiency maximized.

To overcome false triggering issues after turn-on and turn-off events, the NCP4306 provides adjustable minimum

on-time and off-time blanking periods. Blanking times can be set internally during production or adjusted independently of IC  $V_{CC}$  using external resistors connected to GND (internal or external option depends on IC variant). If needed, externally set blanking periods can be modulated using additional components.

An extremely fast turn-off comparator, implemented on the current sense pin, allows for NCP4306 implementation in CCM applications without any additional components or external triggering.

An ultrafast trigger input offers the possibility to further increase efficiency of synchronous rectification systems operated in CCM mode (for example, CCM flyback or forward). The time delay from trigger input to driver turn off event is  $t_{PD\_TRIG}$ . Additionally, the trigger input can be used to disable the IC and activate a low consumption standby mode. This feature can be used to decrease standby consumption of an SMPS. If the trigger input is not wanted than the trigger pin can be tied to GND.

An output driver features capability to keep SR transistor turned-off even when there is no supply voltage for the NCP4306. SR transistor drain voltage goes up and down during SMPS operation and this is transferred through drain gate capacitance to gate and may open transistor. The NCP4306 keeps DRV pin pulled low even without any supply voltage and thanks to this the risk of turned-on SR transistor before enough  $V_{CC}$  is applied to the NCP4306 is eliminated.

Finally, the NCP4306 features a Light Load Detection function that can be set internally or externally at LLD pin by resistor connected to ground. This function detects light load or no load conditions and during them between conduction phases it decreases current consumption. This helps to improve SMPS efficiency. If LLD function is not needed pin can be left open.

SUPPLY SECTION

Supply voltage should be connected to VCC pin. Minimum voltage for proper operation is 4.0 / 3.5 V typically and maximum level is 35 V. Decoupling capacitor between VCC and GND pin is needed for proper operation and its recommended value is 1  $\mu$ F. If IC is supplied from SMPS output voltage, few ohm resistor is recommended between SMPS output voltage and VCC pin. Resistor task is to divide decoupling cap from output to avoid closing HF currents through NCP4306 decoupling cap, because these currents may causes drops at GND connection that affects SR transistor sensing and incorrect SR transistor turn-off.

SR transistor is usually used in low side configuration (placed in return path), but it may be also used in high side configuration (placed in positive line). It is not possible to use SMPS  $V_{OUT}$  for SR supply in high side configuration so it is needed to provide supply differently. One possibility is to use auxiliary winding as shown in Figure 43. Voltage from auxiliary winding is rectified, filtered and use as supply voltage.

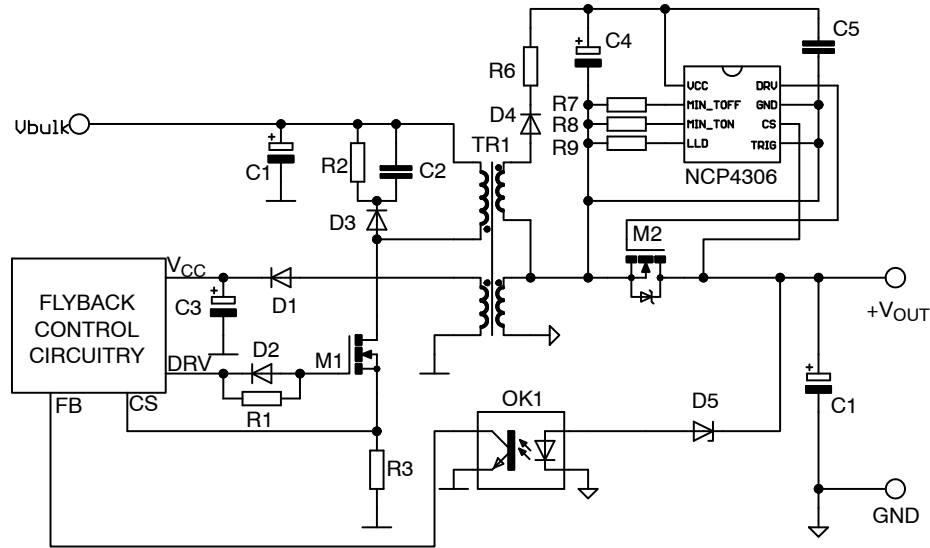


Figure 43. High Side Configuration Supplied from Auxiliary Winding

If auxiliary winding is not acceptable, transformer forward voltage can be used as supply source (Figure 44). Forward voltage is regulated by simple voltage regulator to

fit NCP4306 VCC restriction. Penalty for this solution is slightly lower efficiency.

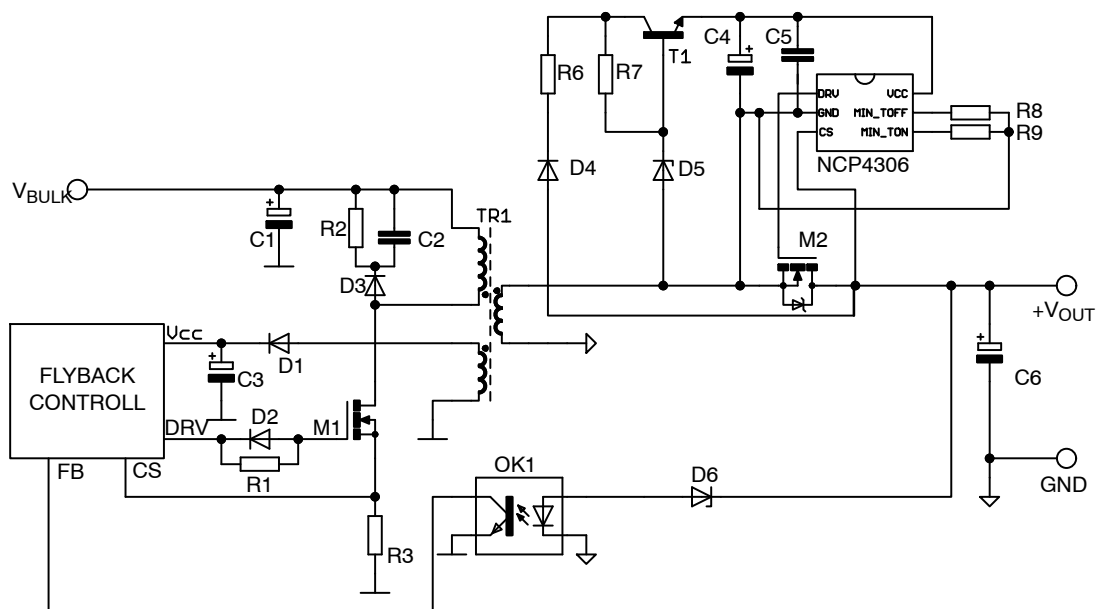


Figure 44. High Side Configuration Supplied from Transformer Forward Voltage

# NCP4306

Auxiliary winding or forward voltage can be used as supply source also for low side configuration if  $V_{OUT}$  is not high enough (Figure 45). Do not focus just on SR controller

UVLO, but also on SR transistor characteristics. Some transistors may be not turned-on enough even at 5 V so in these case SR controller supply voltage should be increased.

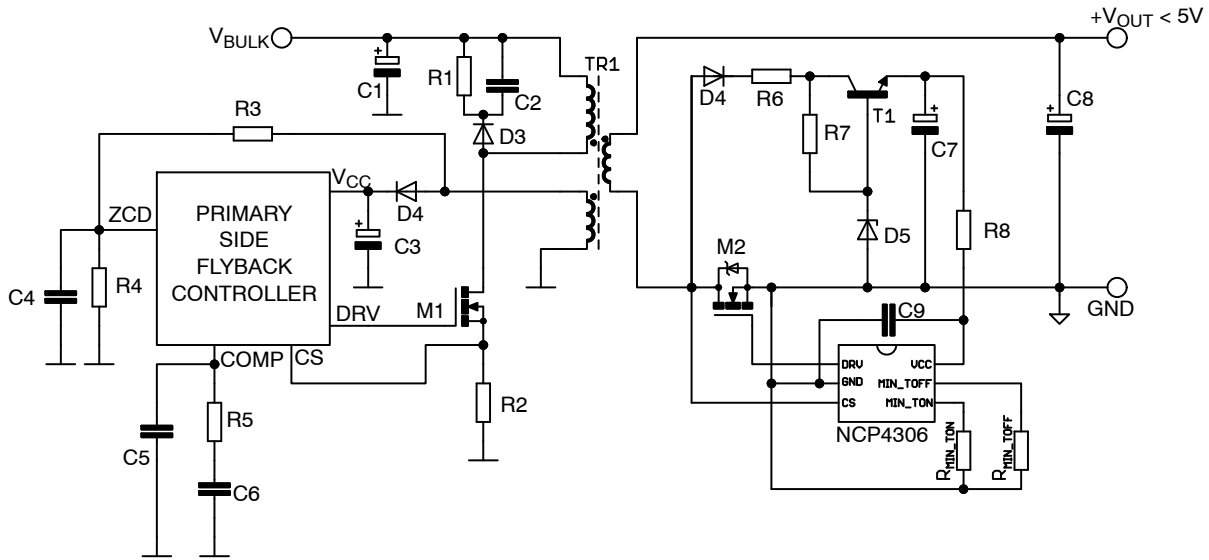


Figure 45. Low Side Configuration Supplied from Transformer Forward Voltage for Low  $V_{OUT}$  SMPS

## Current Sense Input

Figure 46 shows the internal connection of the CS circuitry on the current sense input. When the voltage on the secondary winding of the SMPS reverses, the body diode of M1 starts to conduct current and the voltage of M1's drain drops approximately to  $-1$  V. Once the voltage on the CS pin is lower than  $V_{TH\_CS\_ON}$  threshold, M1 is turned-on.

Because of parasitic impedances, significant ringing can occur in the application. To overcome false sudden turn-off due to mentioned ringing, the minimum conduction time of the SR MOSFET is activated. Minimum conduction time can be adjusted using the  $R_{MIN\_TON}$  resistor or can be chosen from internal fixed values.

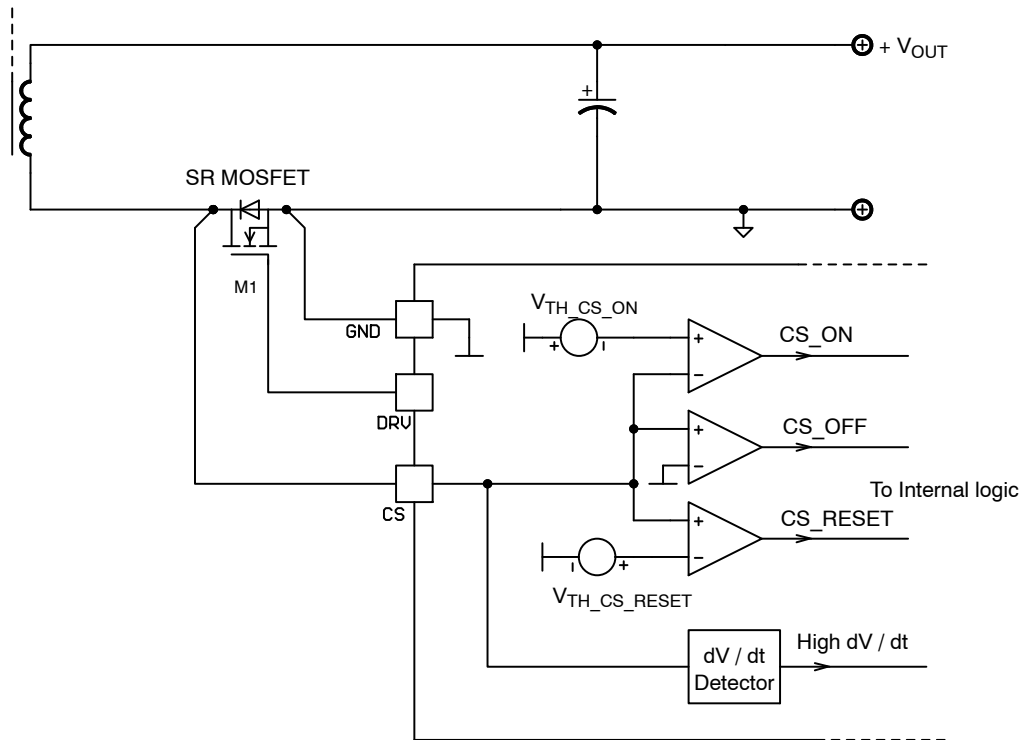


Figure 46. Current Sensing Circuitry Functionality

The SR MOSFET is turned-off as soon as the voltage on the CS pin is higher than  $V_{TH\_CS\_OFF}$  (typically  $-0.5$  mV). For the same ringing reason, a minimum off-time timer is asserted once the  $V_{CS}$  goes above  $V_{TH\_CS\_RESET}$ . The minimum off-time can be externally adjusted using  $R_{MIN\_TOFF}$  resistor or can be chosen from internally fixed values (depends on version). The minimum off-time generator can be re-triggered by MIN\_TOFF reset comparator if some spurious ringing occurs on the CS input after SR MOSFET turn-off event. This feature significantly simplifies SR system implementation in flyback converters.

In an LLC converter the SR MOSFET M1 channel conducts while secondary side current is decreasing (refer to Figure 47). Therefore the turn-off current depends on MOSFET  $R_{DSON}$ . The  $-0.5$  mV threshold provides an optimum switching period usage while keeping enough time margin for the gate turn-off. To ensure proper switching, the  $min\_toff$  timer is reset, when the  $V_{DS}$  of the MOSFET rings and falls down past the  $V_{TH\_CS\_RESET}$ . The minimum off-time needs to expire before another drive pulse can be initiated. Minimum off-time timer is started again when  $V_{DS}$  rises above  $V_{TH\_CS\_RESET}$ .

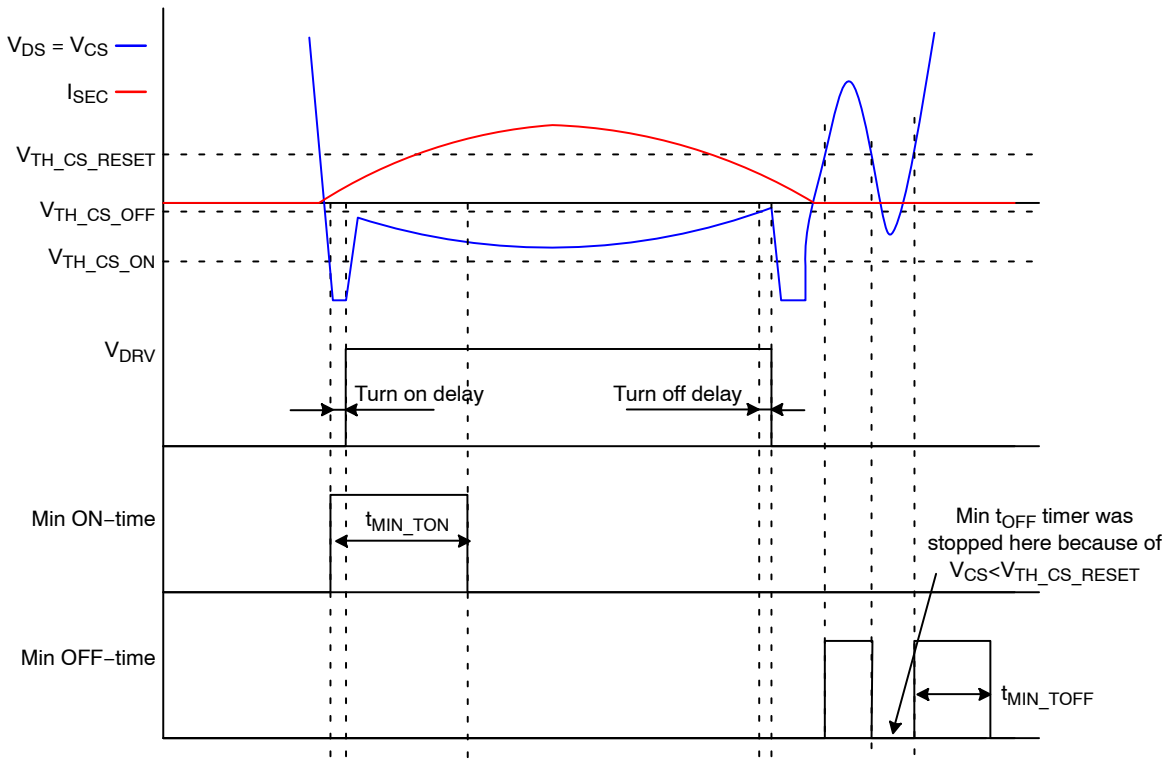


Figure 47. CS Input Comparators Thresholds and Blanking Periods Timing in LLC

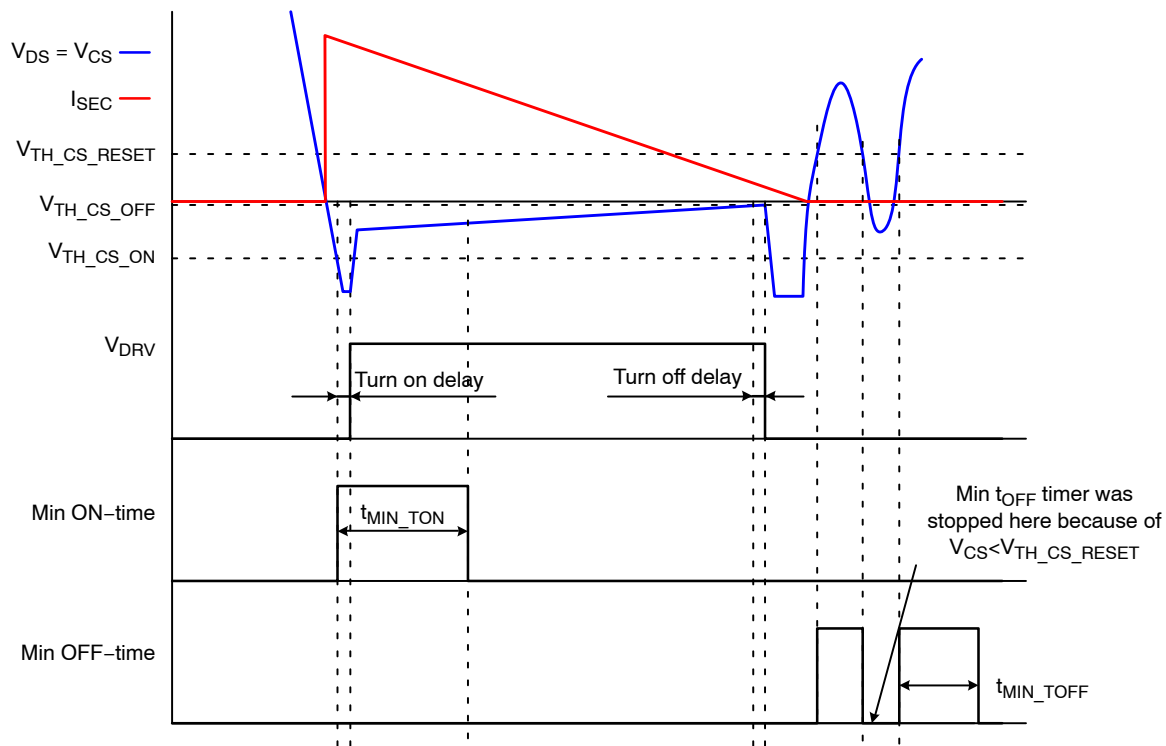


Figure 48. CS Input Comparators Thresholds and Blanking Periods Timing in Flyback

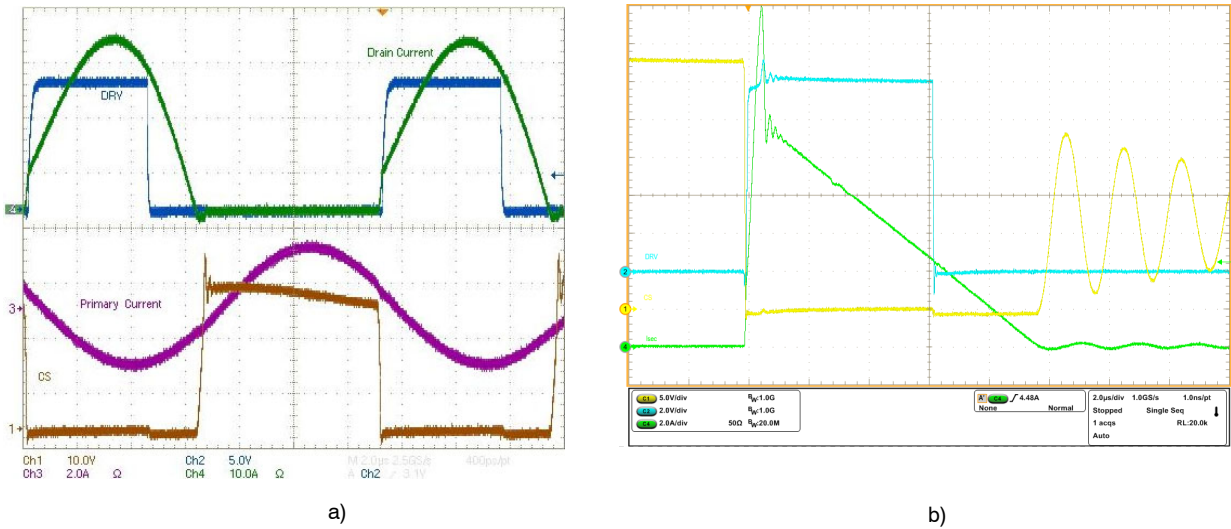
### SR Transistor Selection

An SMPS designer should consider all important SR MOSFET parameters for its optimum selection in given application and not stick only to the lowest  $R_{DS(ON)}$  requirement. The lower  $R_{DS(ON)}$  device is selected the more significant role the lead parasitic inductances play in turn-off threshold sensing i.e. the more premature turn-off will happen (refer to section below for parasitic inductance impact to  $V_{DS}$  sensing). The lower  $R_{DS(ON)}$  switch also usually features higher input capacitance that increases driving losses. The higher output capacitance and higher reverse recovery charge of body diode then results in higher drain-to source voltage peaks in CCM applications. Thus the higher  $R_{DS(ON)}$  MOSFET can usually provide better or at least same efficiency result when compare to a switch

which was selected with minimum available  $R_{DS(ON)}$  resistance requirement only.

Sensing  $V_{DS}$  drop across the SR transistor, which is ideally product of transistor's  $R_{DS(ON)}$  and secondary side current, is affected by voltage drop at parasitic inductance of package (bonding, leads, ...) and PCB layout—(refer to Figure 49). The current that flows through the SR MOSFET experiences a high  $\Delta i(t) / \Delta t$  that induces an error voltage on the SR MOSFET bonds and leads due to their parasitic inductance. This error voltage is proportional to the derivative of the SR MOSFET current; and shifts the CS input voltage to zero when significant current still flows through the MOSFET channel. As a result, the SR MOSFET is turned-off prematurely and the efficiency of the SMPS is not optimized – refer to Figure 50 for a better understanding.



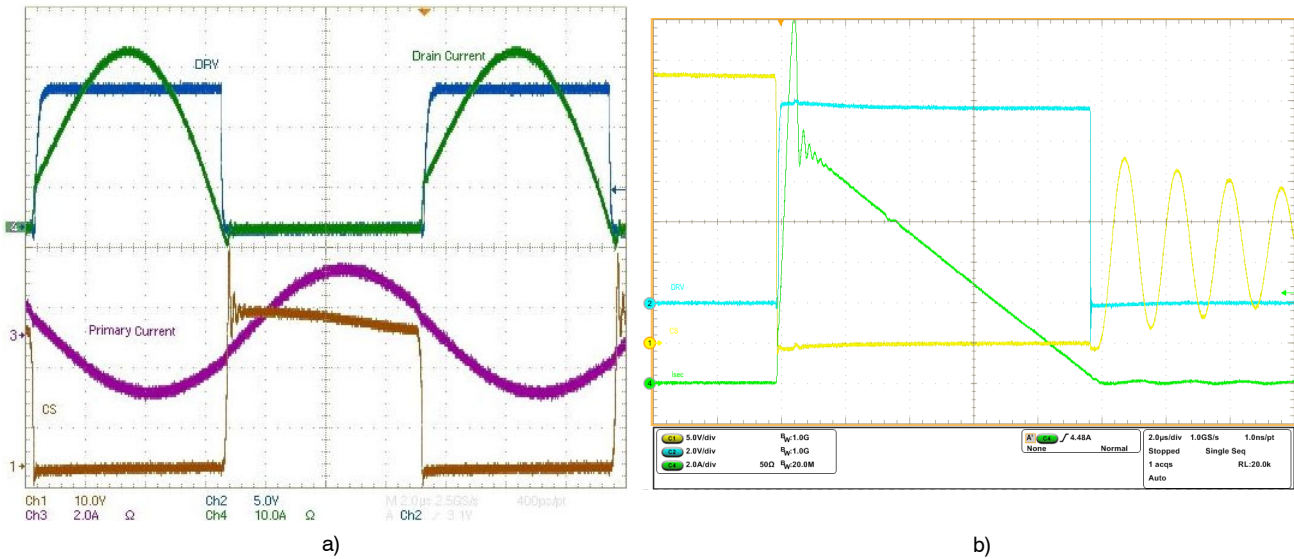


**Figure 50. Waveforms from SR System Implemented in a) LLC and b) Flyback Application and Using MOSFET in TO220 Package With Long Leads – SR MOSFET channel Conduction Time is Reduced**

Note that the efficiency impact caused by the error voltage due to the parasitic inductance increases with lower MOSFETs  $R_{DS\_ON}$  and / or higher operating frequency.

It is thus beneficial to minimize SR MOSFET package leads length in order to maximize application efficiency. The optimum solution for applications with high secondary

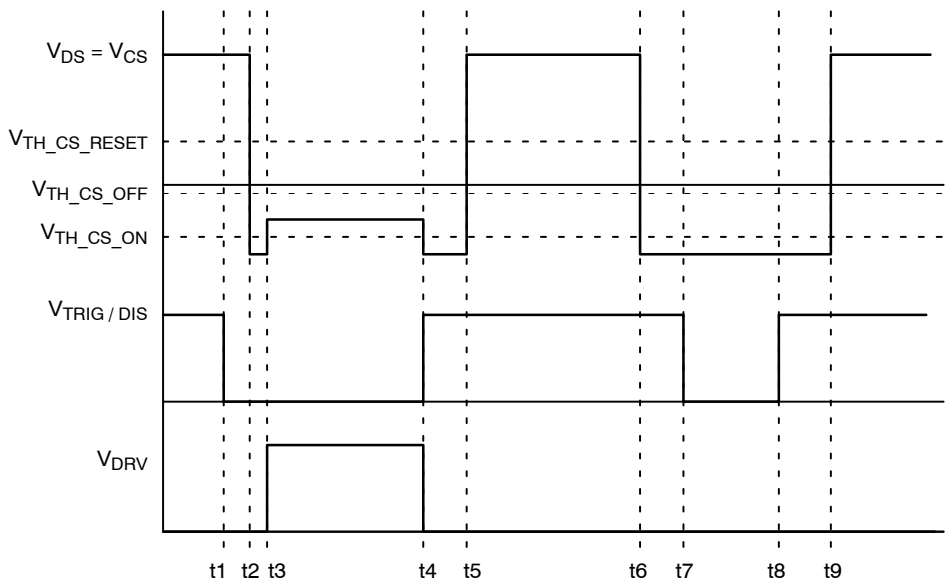
current  $\Delta i / \Delta t$  and high operating frequency is to use lead-less SR MOSFET i.e. SR MOSFET in SMT package. The parasitic inductance of a SMT package is negligible causing insignificant CS turn-off threshold shift and thus minimum impact to efficiency (refer to Figure 51).



**Figure 51. Waveforms from SR System Implemented in a) LLC b) Flyback Application and Using MOSFET in SMT Package with Minimized Parasitic Inductance – SR MOSFET Channel Conduction Time is Optimized**



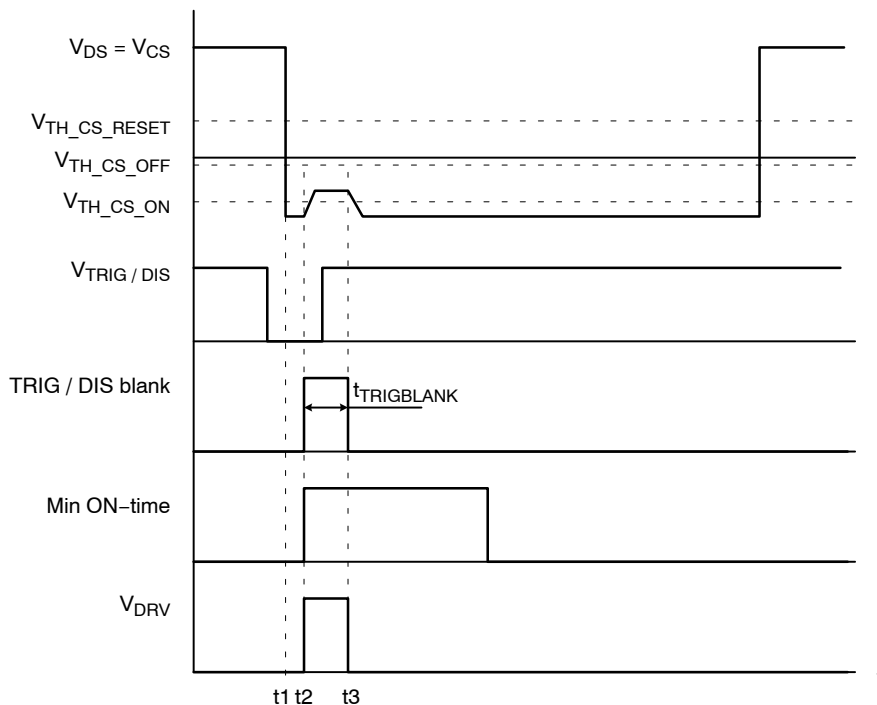
## NCP4306



**Figure 54. Trigger Input Functionality Waveforms Using the Trigger to Turn-off and Block the DRV Signal**

Figure 54 shows basic TRIG / DIS input functionality. At t1 the TRIG / DIS pin is pulled low to enter into normal operation. At t2 the CS pin is dropped below the  $V_{TH\_CS\_ON}$ , signaling to the NCP4306 to start to turn the SR MOSFET on. At t3 the NCP4306 begins to drive the MOSFET. At t4, the SR MOSFET is conducting and the TRIG / DIS pin is pulled high. This high signal on the TRIG

/ DIS pin almost immediately turns off the drive to the SR MOSFET, turning off the MOSFET. The DRV is not turned-on in other case (t6) because the trigger pin is high in the time when CS pin signal crosses turn-on threshold. This figure clearly shows that the DRV can be asserted only on falling edge of the CS pin signal in case the trigger input is at low level (t2).



**Figure 55. Trigger Input Functionality Waveforms – Trigger Blanking**

In Figure 55 above, at time t1 the CS pin falls below the  $V_{TH\_CS\_ON}$  while the Trigger is low setting in motion the DRV signal that appears at t2. At time t2 the DRV signal and Trigger blanking clock begin. TRIG / DIS signal goes high

shortly after time t2. Due to the Trigger blanking clock ( $t_{TRIG\_BLANK}$ ) the Trigger's high signal does not affect the DRV signal until the  $t_{TRIG\_BLANK}$  timer has expired. At time t3 the TRIG / DIS signal is reevaluated and the DRV

signal is turned off. The TRIG / DIS input is blanked for  $t_{TRIG\_BLANK}$  after DRV set signal to avoid undesirable behavior during SR MOSFET turn-on event. The blanking time in combination with high threshold voltage ( $V_{TRIG\_TH}$ ) prevent triggering on ringing and spikes that are present on the TRIG / DIS input pin during the SR MOSFET

turn-on process. Controller's response to the narrow pulse on the TRIG / DIS pin is depicted in Figure 55 – this short trigger pulse enables to turn the DRV on for  $t_{TRIG\_BLANK}$ . Note that this case is valid only if device not entered disable mode before.

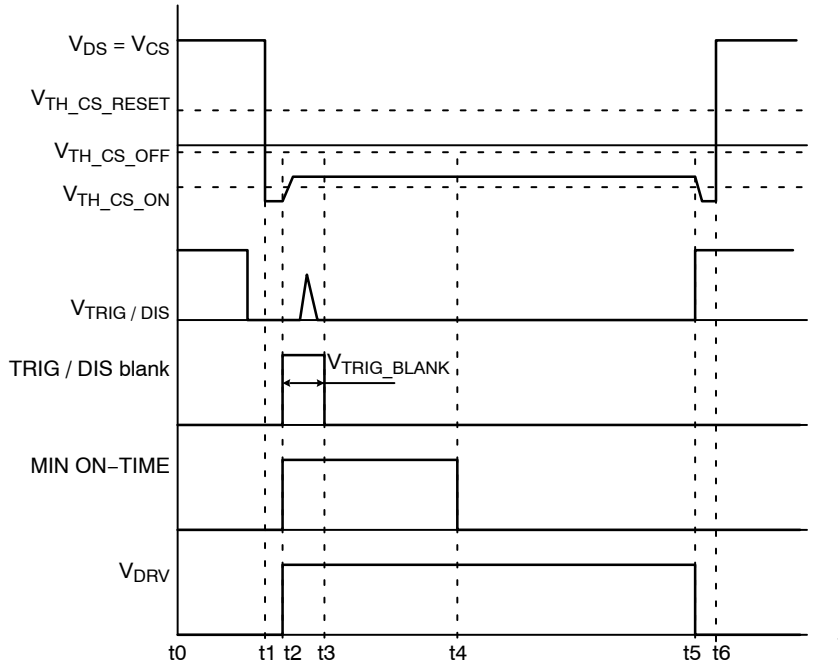


Figure 56. Trigger Input Functionality Waveforms – Trigger Blanking Acts Like a Filter

Figure 56 above shows almost the same situation as in Figure 55 with one main exception; the TRIG / DIS signal was not high after trigger blanking timer expired so the DRV signal remains high. The advantage of the trigger blanking time during DRV turn-on is evident from Figure 56 since it

acts like a filter on the TRIG / DIS pin. Rising edge of the DRV signal may cause spikes on the trigger input. If it wasn't for the TRIG / DIS blanking these spikes, in combination with ultra-fast performance of the trigger logic, could turn the SR MOSFET off in an inappropriate time.

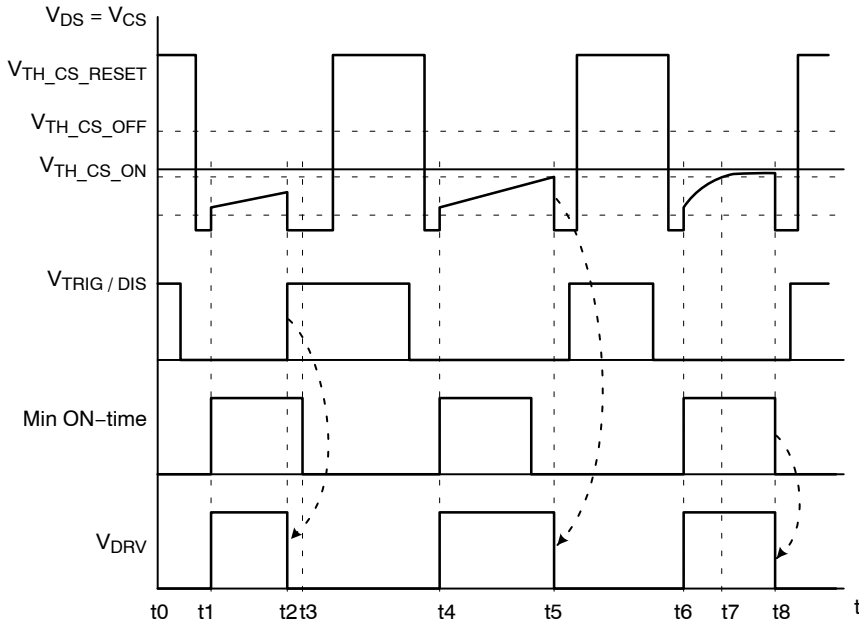


Figure 57. Trigger Input Functionality Waveforms – Trigger over Ride, CS Turn Off and Min On-time

Figure 57 depicts all possible driver turn-off events in details when correct  $V_{CC}$  is applied. Controller driver is disabled based on TRIG / DIS input signal in time  $t_2$ ; the TRIG / DIS input overrides the minimum on-time period.

Driver is turned-off according to the CS ( $V_{DS}$ ) signal ( $t_5$  marker) and when minimum on-time period elapsed already. TRIG / DIS signal needs to be low during this event.

If the CS ( $V_{DS}$ ) voltage reaches  $V_{TH\_CS\_OFF}$  threshold before minimum on-time period ends ( $t_7$ ) and the TRIG / DIS pin is low the DRV is turned-off on the falling edge of the minimum on-time period ( $t_8$  time marker in Figure 57). This demonstrates the fact that the Trigger overrides the minimum on-time. Minimum on-time has higher priority than the CS signal.

In Figure 58 the TRIG / DIS input is low the whole time and the DRV pulses are purely a function of the CS signal and the minimum on-time. The first DRV pulse terminated based on the CS signal and another two DRV pulses are prolonged till the minimum on-time period end despite the CS signal crosses the  $V_{TH\_CS\_OFF}$  threshold earlier.

If a minimum on-time is too long the situation that occurs after time marker  $t_6$  Figure 58 can occur, is not correct and should be avoided. The minimum  $t_{ON}$  period should be selected shorter to overcome situation that the SR MOSFET is turned-on for too long time. The secondary current then changes direction and energy flows back to the transformer that result in reduced application efficiency and also in excessive ringing on the primary and secondary MOSFETs.

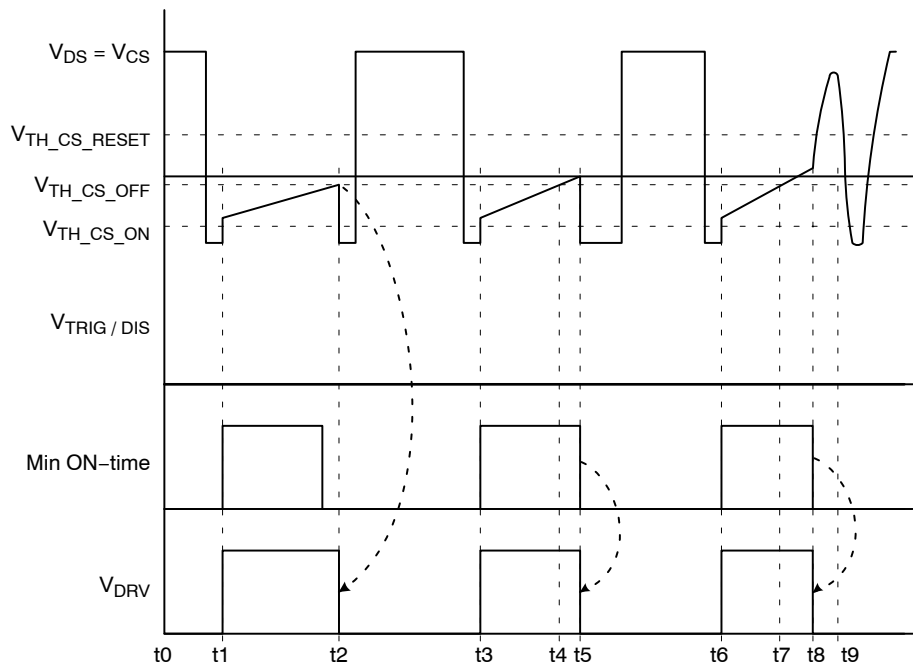
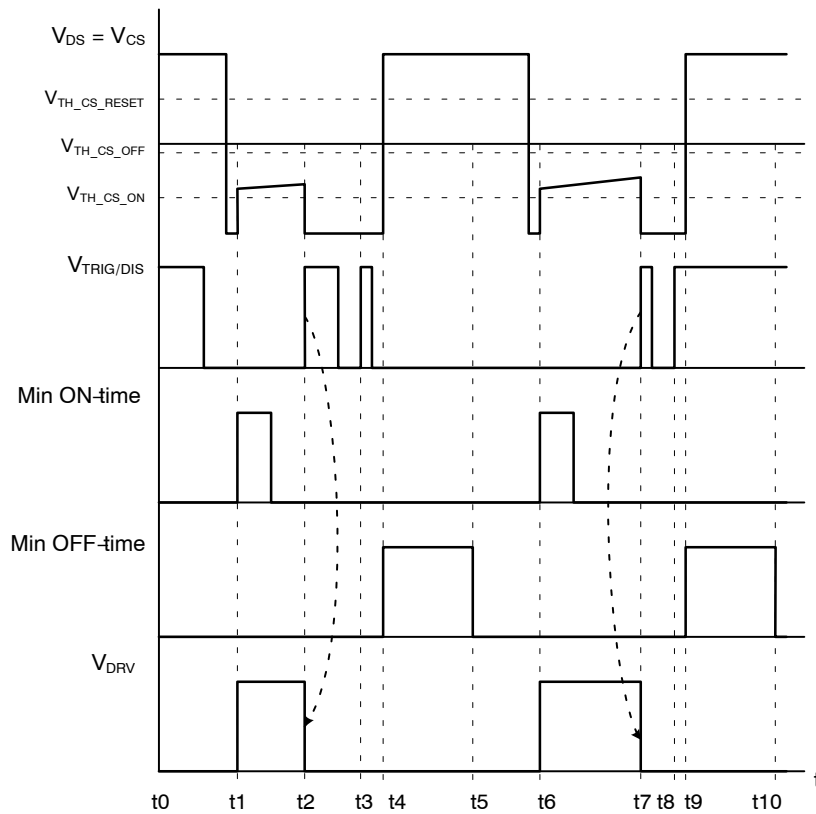


Figure 58. Minimum On-Time Priority

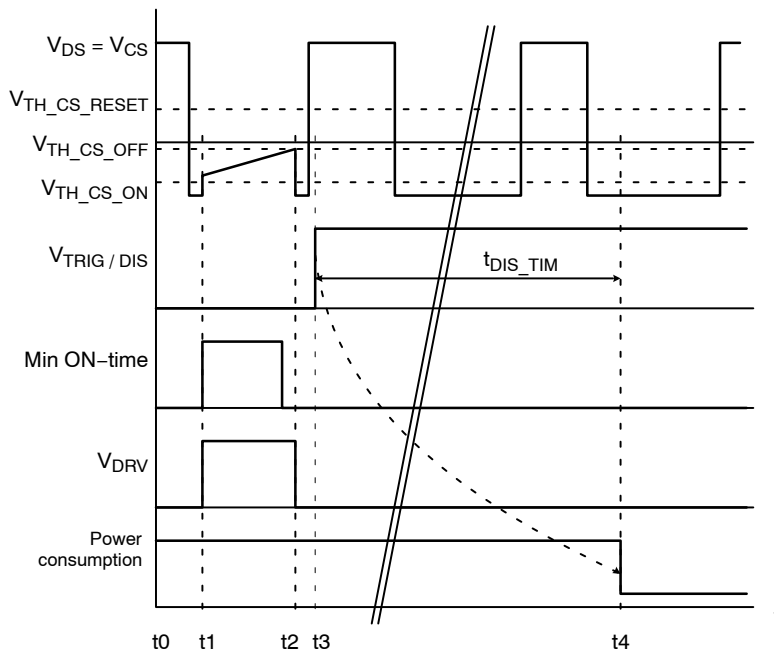
Figure 59 shows IC behavior in case the trigger signal features two pulses during one cycle of the  $V_{DS}$  (CS) signal. The TRIG / DIS goes low enables the DRV just before time  $t_1$  and DRV turns-on because the  $V_{DS}$  voltage drops under  $V_{TH\_CS\_ON}$  threshold voltage. The TRIG / DIS signal disables driver at time  $t_2$ . The TRIG / DIS drops down to LOW level in time  $t_3$ , but IC waits for complete minimum off-time. Minimum off-time execution is blocked until CS

pin voltage goes above  $V_{TH\_CS\_RESET}$  threshold. Next cycle starts in time  $t_6$ . The TRIG / DIS goes low and enables the DRV before  $V_{DS}$  drops below  $V_{TH\_CS\_ON}$  threshold voltage thus the DRV turns-on in time  $t_6$ . The TRIG / DIS signal rises up to HIGH level at time  $t_7$ , consequently DRV turns-off and IC waits for high CS voltage to start minimum off-time execution.

# NCP4306



**Figure 59. TRIG / DIS Input Functionality Waveforms – Two Pulses at One Cycle**

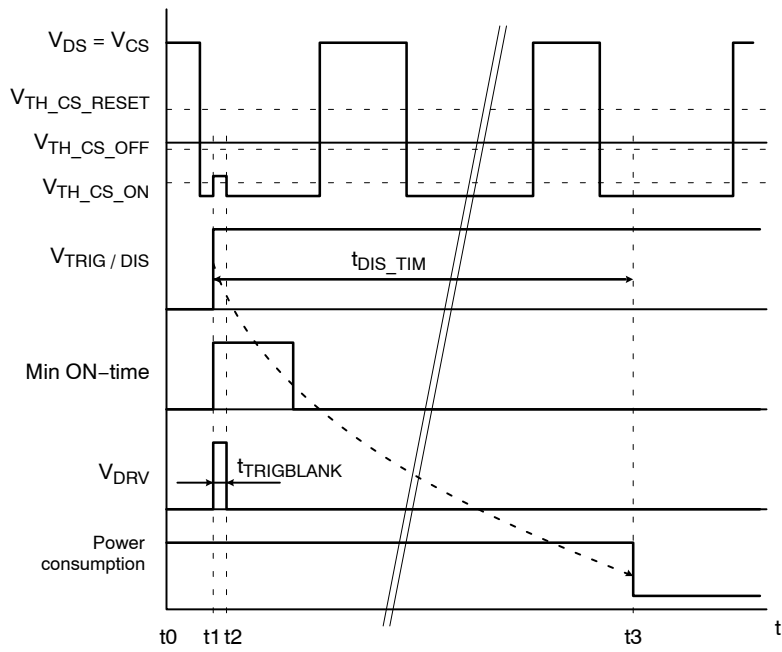


**Figure 60. Trigger Input Functionality Waveforms – Disable Mode Activation**

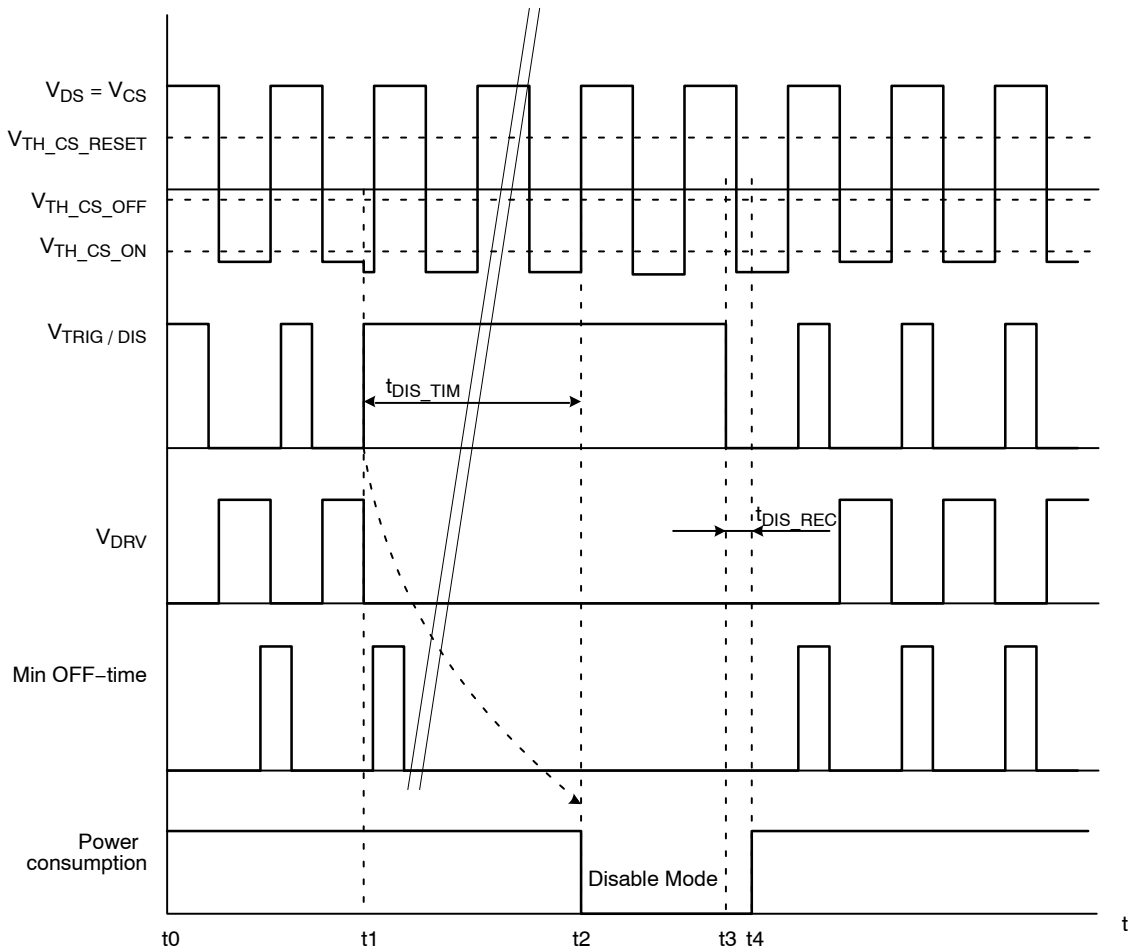
In Figure 60 above, at  $t_2$  the CS pin rises to  $V_{TH\_CS\_OFF}$  and the SR MOSFET is turned-off. At  $t_3$  the TRIG /DIS signal is held high for more than  $t_{DIS\_TIM}$ . NCP4306 enters disable mode after  $t_{DIS\_TIM}$ . Driver output is disabled in disable mode. The DRV stays low (disabled) during

transition to disable mode. Figure 61 shows disable mode transition 2nd case – i.e. when trigger rising edge comes during the trigger blank period. Figure 62 shows entering into disable mode and back to normal sequences.

# NCP4306



**Figure 61. Trigger Input Functionality Waveforms – Disable Mode Clock Initiation**

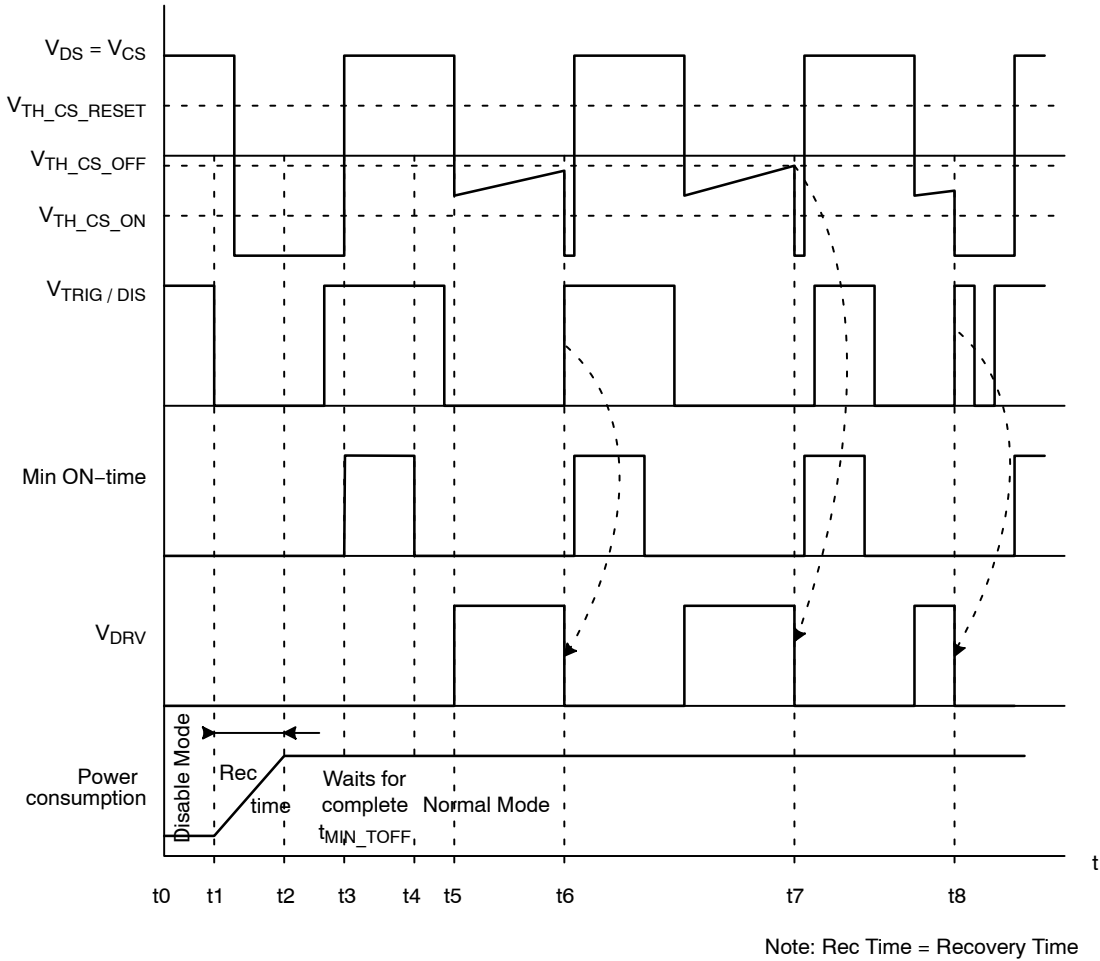


**Figure 62. Trigger Input Functionality Waveforms – Disable and Normal Modes**

## NCP4306

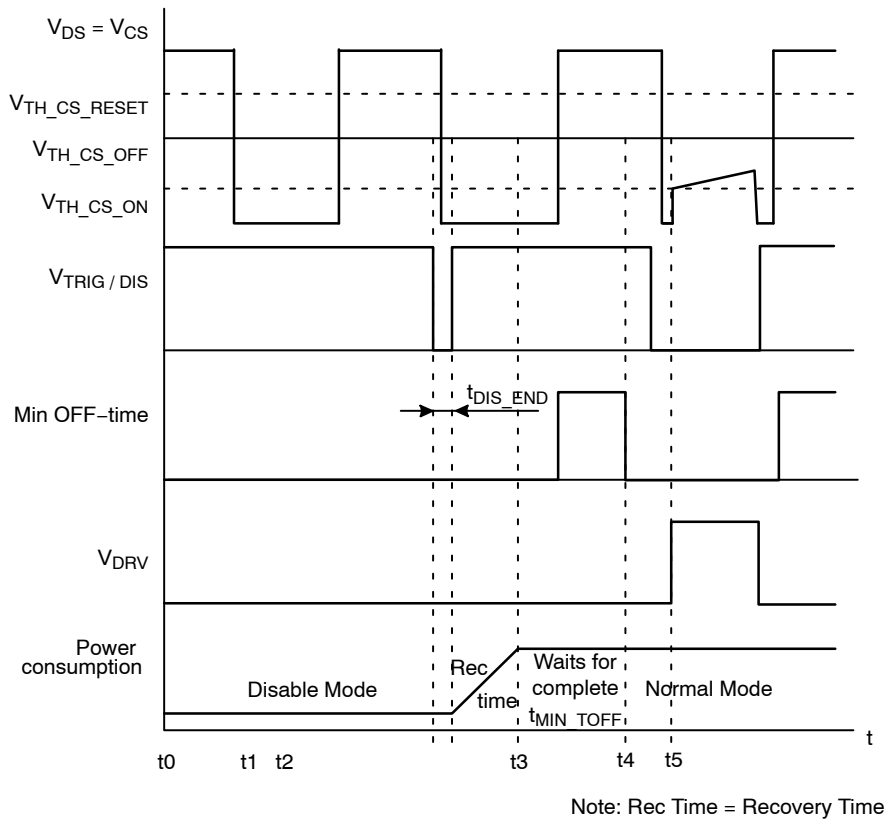
Figure 63 and Figure 64 shows exit from disable mode in detail. NCP4306 requires time up to  $t_{DIS\_REC}$  to recover all internal circuitry to normal operation mode when recovering from disable mode. The driver is then enabled after complete  $t_{MIN\_TOFF}$  period when CS ( $V_{DS}$ ) voltage is over  $V_{TH\_CS\_RESET}$  threshold. Driver turns-on in the next

cycle on CS ( $V_{DS}$ ) falling edge signal only ( $t_5$  – Figure 63). The DRV stays low during recovery time period. TRIG / DIS input has to be low at least for  $t_{DIS\_END}$  time to end disable mode and start with recovery. Trigger can go back high after  $t_{DIS\_END}$  without recovery interruption.

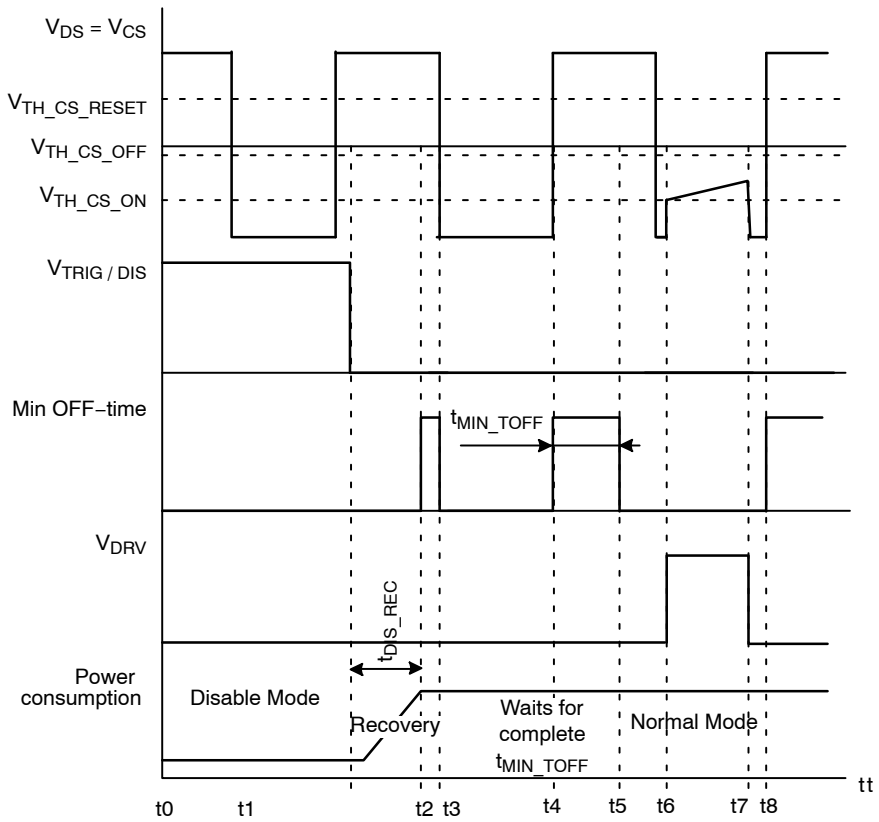


**Figure 63. Trigger Input Functionality Waveforms – Exit from Disable Mode before the Falling Edge of the CS Signal**

# NCP4306



**Figure 64. Trigger Input Functionality Waveforms**

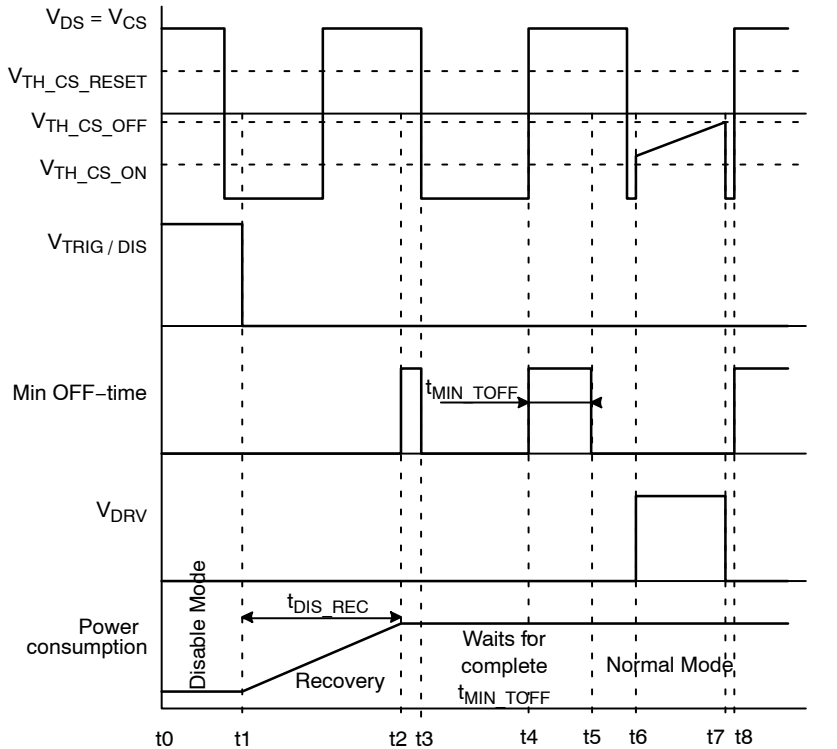


**Figure 65. Trigger Input Functionality Waveforms**

# NCP4306

Figure 65 shows detail IC behavior after disable mode is ended. The trigger pin voltage goes low at  $t_1$  and after  $t_{DIS\_REC}$  IC leaves disable mode ( $t_2$ ). Time interval between  $t_2$  and  $t_3$  is too short for complete minimum off-time so

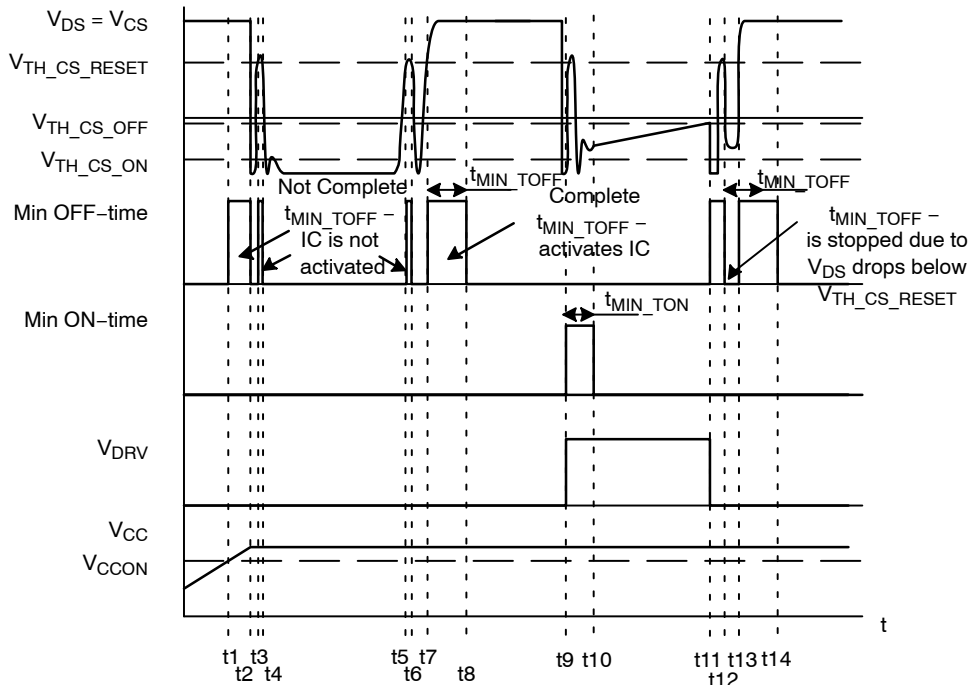
normal mode doesn't start.  $V_{DS}$  voltage goes high again at time  $t_4$  and this event starts new minimum off-time timer execution. Next  $V_{DS}$  falling edge below  $V_{TH\_CS\_ON}$  level activates driver.



**Figure 66. Trigger Input Functionality Waveforms**

Different situation of leaving from disable mode is shown at Figure 66. Minimum off-time execution starts at time  $t_2$ , but before time elapses  $V_{DS}$  voltage falls to negative voltage. This interrupts minimum off-time execution and

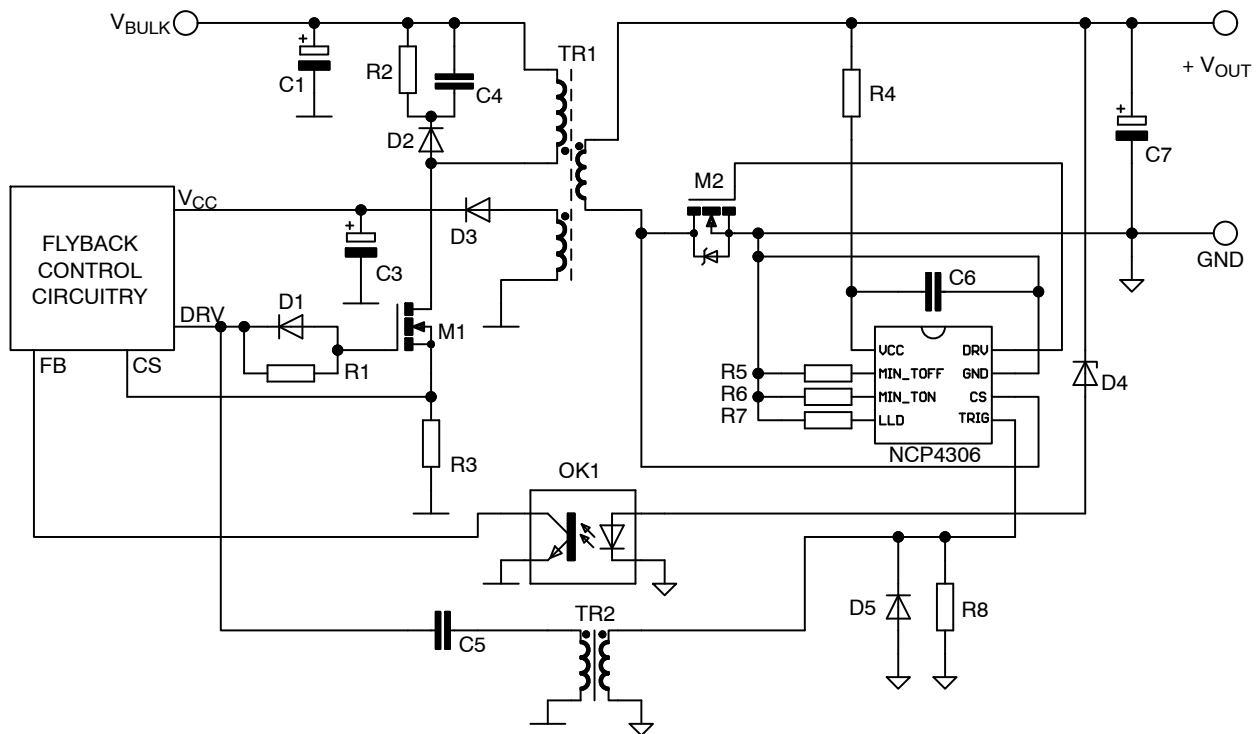
the IC waits to another time when  $V_{DS}$  voltage is positive and then is again started the minimum off-time timer. The IC returns into normal mode after whole minimum off-time elapses.



**Figure 67. NCP4306 Operation after Start-Up Event**



## NCP4306



**Figure 69. Optional Primary Triggering in Deep CCM Application Using Trigger Transformer**

Application from Figure 69 uses an ultra-small trigger transformer to transfer primary turn-on information directly from the primary controller driver pin to the SR controller trigger input. Because the trigger input is rising edge sensitive, it is not necessary to transmit the entire primary driver pulse to the secondary. The coupling capacitor C5 is used to allow the trigger transformer's core to reset and also to prepare a needle pulse (a pulse with width shorter than 100 ns) to be transmitted to the NCP4306 TRIG / DIS input. The advantage of needle trigger pulse usage is that the required volt-second product of the pulse transformer is very low and that allows the designer to use very small and cheap magnetic. The trigger transformer can even be prepared on a small toroidal ferrite core with outer diameter of 4 mm and four turns for primary and secondary windings

to assure  $L_{PRIMARY} = L_{SECONDARY} > 10 \mu\text{H}$ . Proper safety insulation between primary and secondary sides can be easily assured by using triple insulated wire for one or, better, both windings.

This primary triggering technique provides approximately 0.5% efficiency improvement when the application is operated in deep CCM and transformer with leakage of 1% of primary inductance is used.

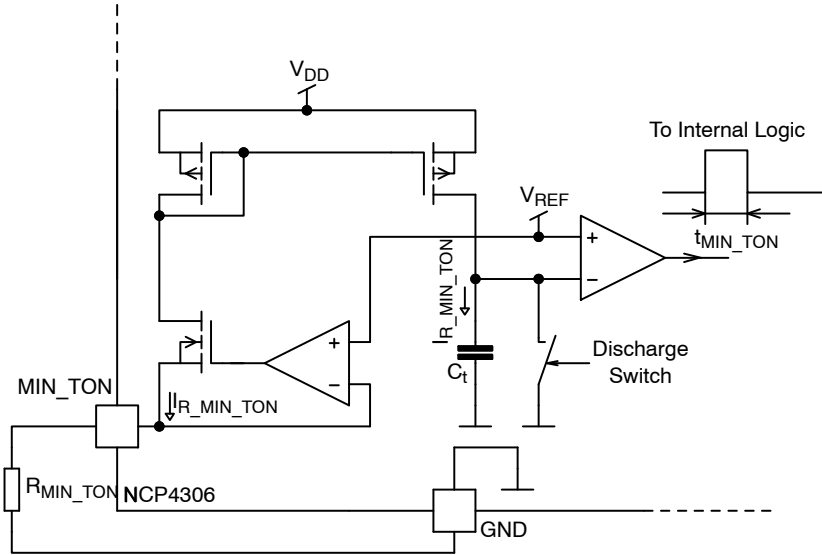
It is also possible to use capacitive coupling (use additional capacitor with safety insulation) between the primary and secondary to transmit the trigger signal. We do not recommend this technique as the parasitic capacitive currents between primary and secondary may affect the trigger signal and thus overall system functionality.

**Minimum t<sub>ON</sub> and t<sub>OFF</sub> adjustment**

The NCP4306 offers fixed or adjustable minimum on-time and off-time blanking periods (depends on IC version) that ease the implementation of a synchronous rectification system in any SMPS topology. These timers avoid false triggering on the CS input after the MOSFET is turned on or off.

Fixed versions are defined internally and can't be modified later or changed during operation.

The adjustment of minimum t<sub>ON</sub> and t<sub>OFF</sub> periods are done based on an internal timing capacitance and external resistors connected to the GND pin – refer to Figure 70 for a better understanding.



**Figure 70. Internal Connection of the MIN\_TON Generator (the MIN\_TOFF Works in the Same Way)**

Current through the MIN\_TON adjust resistor can be calculated as:

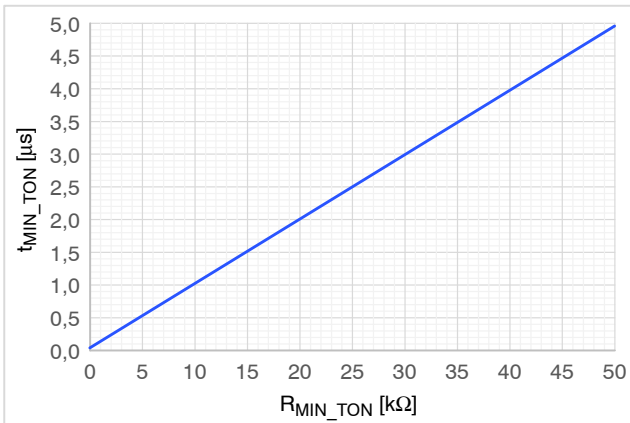
$$I_{R\_MIN\_TON} = \frac{V_{ref}}{R_{MIN\_TON}} \quad (\text{eq. 1})$$

$$t_{MIN\_ON} = V_t \times \frac{V_{ref}}{I_{R\_MIN\_TON}} = C_t \times \frac{V_{ref}}{\frac{V_{ref}}{R_{MIN\_TON}}} = C_t \times R_{MIN\_TON} \quad (\text{eq. 2})$$

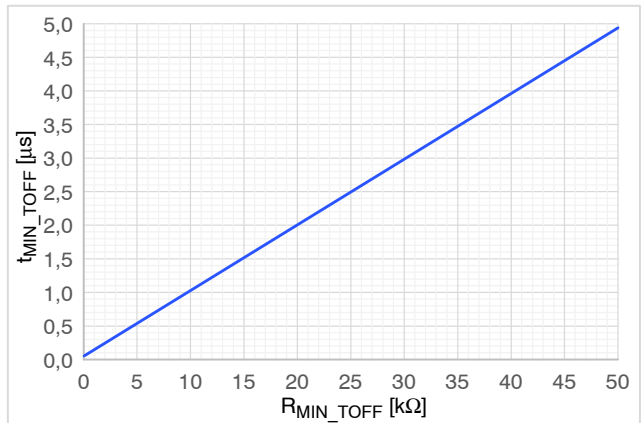
If the internal current mirror creates the same current through R<sub>MIN\_TON</sub> as used the internal timing capacitor (C<sub>t</sub>) charging, then the minimum on-time duration can be calculated using this equation.

The internal capacitor size would be too large if I<sub>R\_MIN\_TON</sub> was used. The internal current mirror uses a proportional current, given by the internal current mirror ratio. Note that the internal timing comparator delay affects

the accuracy of equations 7 and 8 when MIN\_TON or MIN\_TOFF times are selected near to their minimum possible values. Please refer to Figure 71 and Figure 72 for measured minimum on and off time charts.



**Figure 71. MIN\_TON Adjust Characteristic**



**Figure 72. MIN\_TOFF Adjust Characteristic**

## NCP4306

The absolute minimum  $t_{ON}$  duration is internally clamped to 55 ns and minimum  $t_{OFF}$  duration to 70 ns in order to prevent any potential issues with the minimum  $t_{ON}$  and / or  $t_{OFF}$  input being shorted to GND.

The NCP4306 features dedicated anti-ringing protection system that is implemented with a minimum  $t_{OFF}$  blank generator. The minimum off-time one-shoot generator is restarted in the case when the CS pin voltage crosses  $V_{TH\_CS\_RESET}$  threshold and MIN\_TOFF period is active.

The total off-time blanking period is prolonged due to the ringing in the application (refer to Figure 47).

Some applications may require adaptive minimum on and off time blanking periods. It is possible to modulate blanking periods by using an external NPN transistor – refer to Figure 73. The modulation signal can be derived based on the load current, feedback regulator voltage or other application parameter.

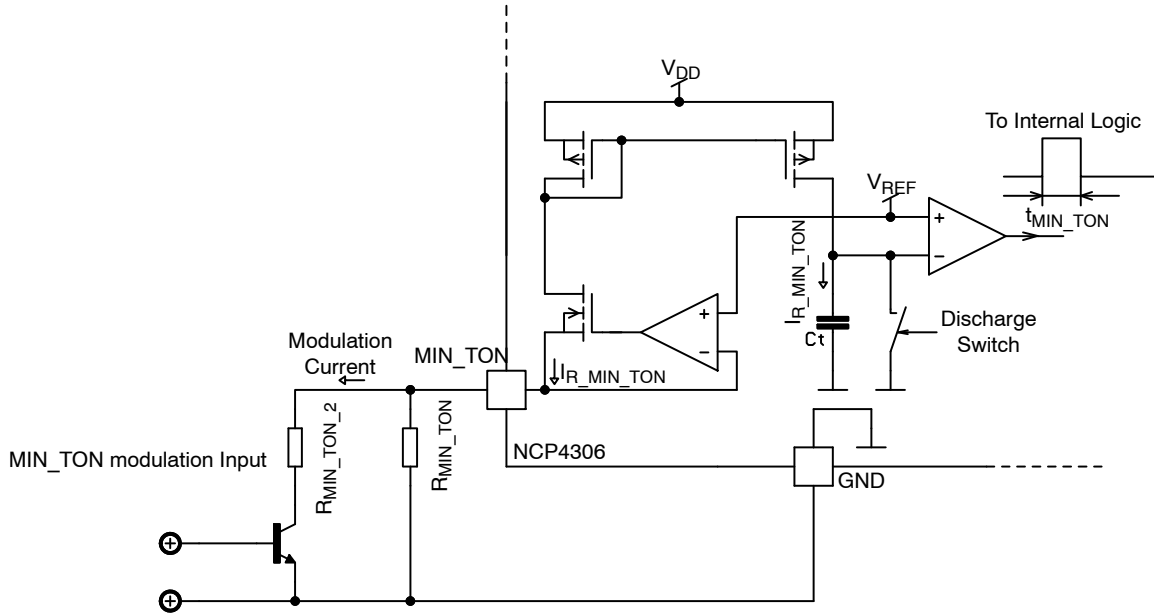


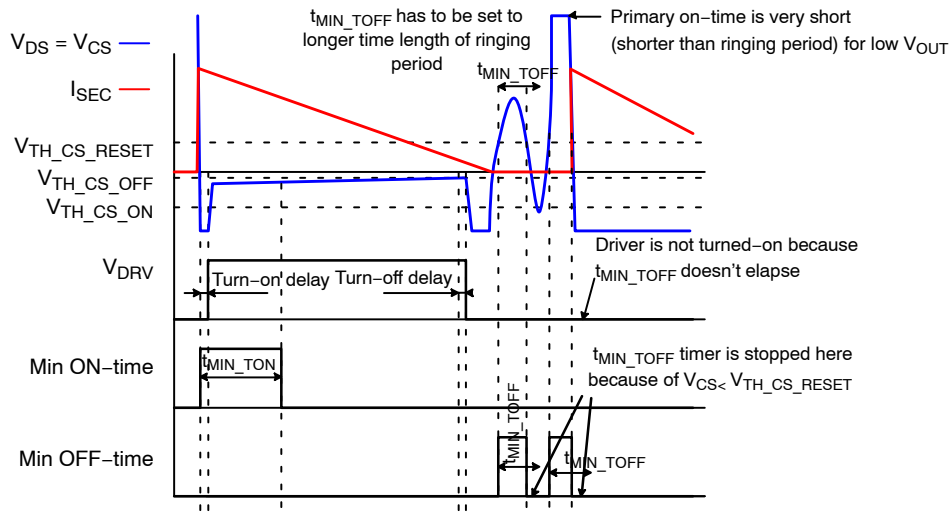
Figure 73. Possible Connection for MIN\_TON and MIN\_TOFF Modulation

### dV / dt Detection – Flyback feature

The NCP4306 includes optional feature for flyback type converters, which operates with shorter primary on-time than ringing period after demagnetization phase during medium / high loads. These applications are for example USB-PD or Quick Charge adapters. Difficulty with this situation is that minimum off-time doesn't elapse before

primary side switch is turned on and off again so SR controller doesn't turn on SR mosfet. Whole secondary side current flows through body diode that makes power loss. Figure 74 shows situation without dV / dt detection. Here can be seen that without detection next conduction cycle may be not taken through activated SR transistor. Reason is not elapsed minimum off-time blanking interval.

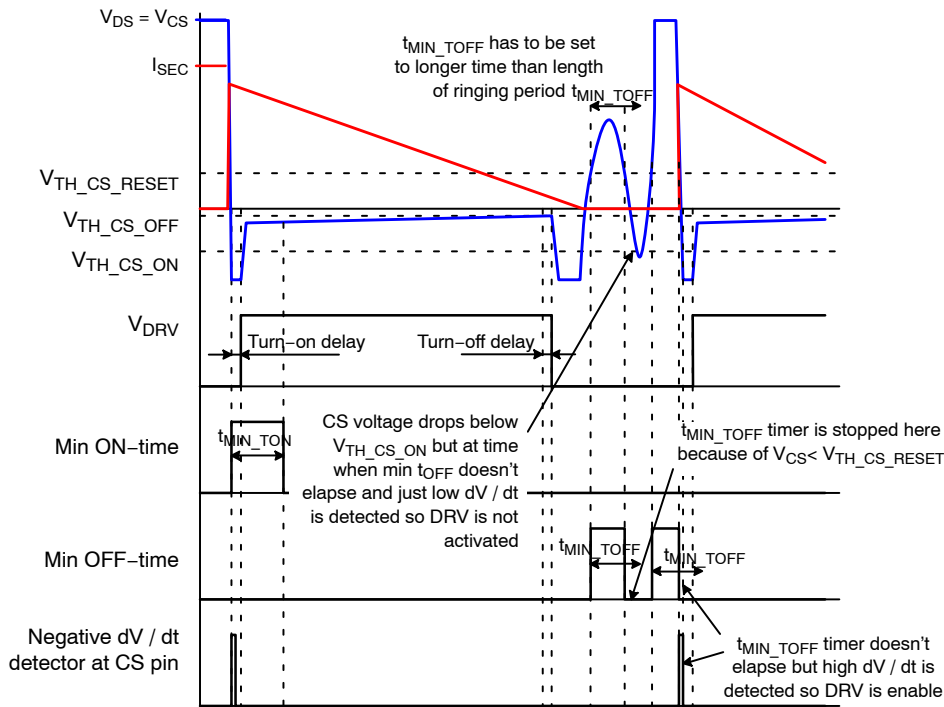
# NCP4306



**Figure 74. Situation without dV / dt Detection Feature**

Figure 75 shows how system with activated dV / dt detection behaves. Min\_toff blanking interval is also reset during voltage drops at CS pin, but if high negative dV / dt occurs at CS pin, min\_toff interval is shorted and SR controller is ready to detect CS voltage lower than

$V_{CS\_TH\_ON}$  and turn SR transistor on. Negative dV / dt at CS pin after primary switch is turned off is high in compare to slope that comes during ringing after demagnetization. Thanks to this we can safely detect end of primary on-time from ringing.



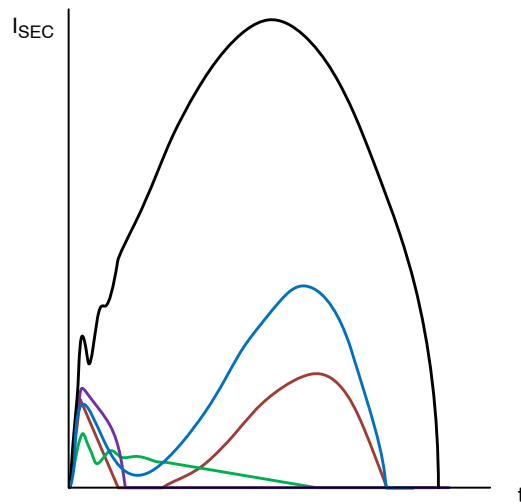
**Figure 75. Situation with Enabled dV / dt Detection**

## Exception Timer – LLC feature

Exception timer is special feature for LLC type SMPS. It is mainly targeted to operation under light / medium load, where secondary side SMPS current shape is not sine, but it contains part of capacitive peak optionally with no current

part followed by distorted sine. Examples of current shape is shown in Figure 76. This figure shows different current shapes at different loading. Lower loading makes shape more distorted from ideal sine.

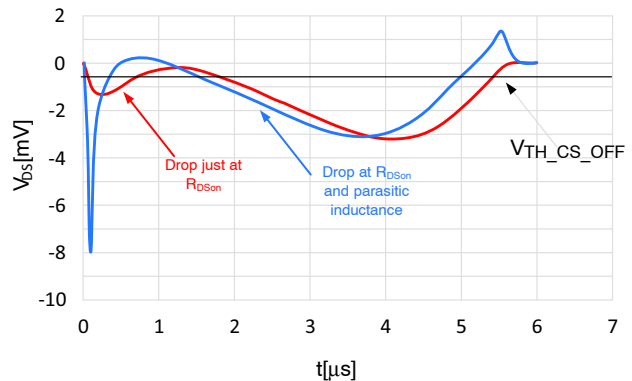
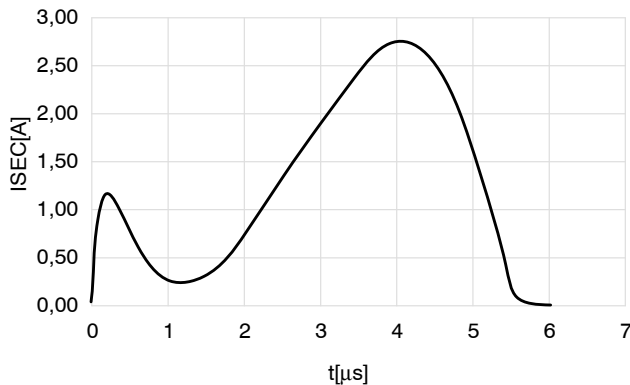
## NCP4306



**Figure 76. Current Shapes in LLC Examples**

Problematic shapes may cause prematurely SR transistor turn-off, because CS voltage may get to zero or to positive voltage (due to low current or high  $di/dt$  and parasitic inductance). Sensed voltage drop can be seen in Figure 77. This situation is valid for SR mosfet with  $R_{DS(ON)} = 1\text{ m}\Omega$  and with package (SMT) parasitic inductance  $L_{PACPAR} = 0.5\text{ nH}$ . There can be seen that SR transistor should be turned off in time between  $0.4$  to  $1.5\text{ }\mu\text{s}$ , because CS voltage is

above  $V_{TH\_CS\_OFF}$  threshold. Turn-off process can be masked by  $min\_ton$  blanking interval, but in this case is needed to set it at least to  $1.5\text{ }\mu\text{s}$  that can make issue during very light load where current flows just short time and long  $min\_ton$  may cause reverse current from output capacitors back to transformer and may change soft switching condition to hard switching at primary side.



**Figure 77. Sensed Voltage Drop at SR Transistor in LLC during Light / Medium Load**

To early SR transistor turn-off is not issue just from efficiency point of view, but also from system stability point of view. When load is decreased, feedback loop asks primary side for lower power that changes secondary side current shape and SR driver can be turned off shortly after  $min\_toff$  elapses. This causes lower efficiency transfer to secondary side and output voltage starts to decrease. Feedback loop

asks for more power, secondary current shape changes and SR driver starts to conduct whole period again that improves energy transfer efficiency and output voltage starts to increase. This has to be again regulated by feedback loop and everything starts from begin and make SMPS oscillations that can be accompany with audible noise.

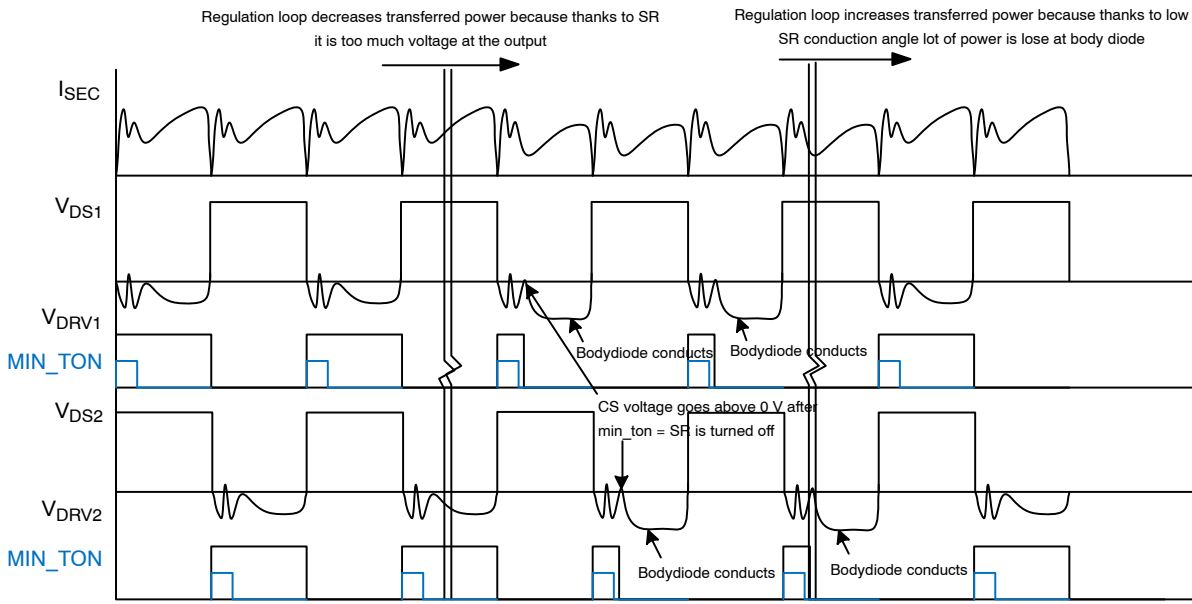


Figure 78. LLC System Oscillation due to Short SR Transistor Conduction

Operation of new feature is shown in Figure 79. Current shape makes drop at SR transistor with 1 mΩ and 0.5 nH shown as  $V_{DS}$  that is sensed at CS pin and on and off comparators decide about SR operation based on this voltage. Driver is turned on and exception timer is started when  $V_{CS}$  drops below  $V_{CS\_TH\_ON}$ . During minimum on-time blanking interval off comparator is not active. CS pin voltage is above  $V_{TH\_CS\_OFF}$  after minimum on-time elapses so driver is turned-off and because exception timer doesn't elapse, min\_ton blanking interval is started. During this time on comparator output is blanked. Reason is to avoid quick driver turning on and off that would just increase consumption. When min\_ton blanking interval elapses CS

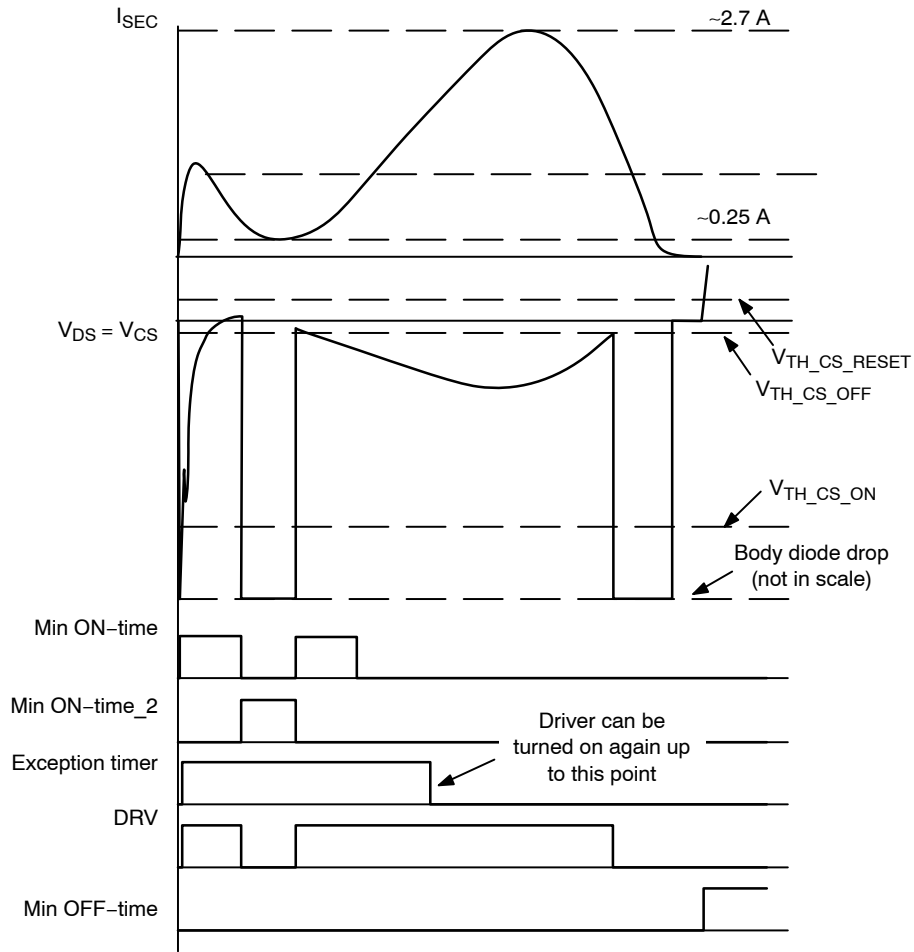
voltage is again below  $V_{TH\_CS\_ON}$  and exception timer is not elapsed, driver can be turned on again simultaneously with minimum on-time interval. Driver is turned off again almost at the end of conduction phase, but this is correct turn off. Min-ton blanking interval doesn't start, because exception timer elapsed before so SR controller waits for  $V_{CS} > V_{CS\_TH\_RESET}$  to start minimum off time blanking timer.

Exception timer length is given as multiple of minimum on time interval. It should be not set to longer time than

$$t_{EXC} < \frac{1}{3 \times f_{SWMAX}} \quad (\text{eq. 3})$$

where  $f_{SWMAX}$  is maximum LLC switching frequency.

# NCP4306



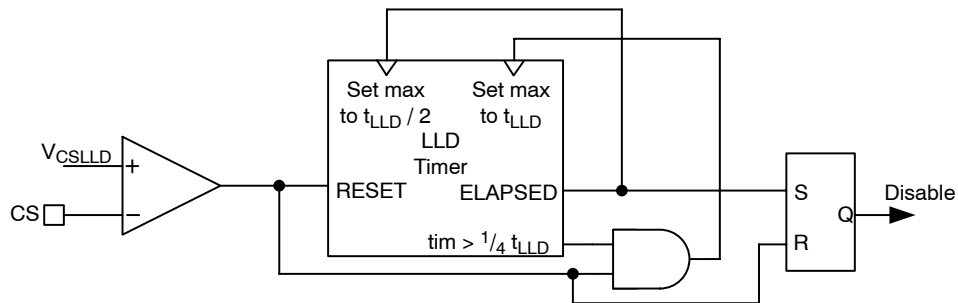
**Figure 79. Exception Timer Operation**

## Light Load Detection

Light load detection feature is feature which task is to decrease SR controller consumption during time when SR transistor switching is not needed. This is usually during no load and light load condition when static SR controller consumption starts to play role. Goal is to disable controller during no switching time to eliminate static consumption and turn-on SR transistor as soon as possible when switching comes.

Internal simplified block diagram is shown in Figure 80. Main parts of this system are comparator at CS input that

informs about CS voltage lower than zero (body diode or SR transistor conducting), LLD timer with set able nominal time and possibility to reduce it to one half and finally D flip flop with Disable signal output. Nominal time can be set by resistor at LLD pin connected to ground or internally during production. Recommended resistor values are shown in Table 6. In case of very noisy system, capacitor in parallel to LLD resistor may be used. Capacitor value impacts start-up time, because capacitor has to be charged above disable threshold by internal LLD current source.



**Figure 80. LLD Internal Block Diagram**

Table 6. PIN FUNCTION DESCRIPTION

LLD setting $t_{LLD}$ [ $\mu$ s]	IC disabled	70	130	280	540	1075	LLD disabled
$R_{LLD}$ [k $\Omega$ ]	<12	27	43	68	91	120	>470*

\*floating pin allowed, small cap for noise robustness improvement recommended

Logic function is also described by bubble diagram in Figure 81. LLD timer is running every time when CS pin voltage is positive (body diode and or transistor not conducting). If conduction doesn't come sooner than LLD timer elapses, DISABLE flag is set (IC is sent into low consumption mode), LLD timer length is changed to  $t_{LLD} / 2$  (this adds some hysteresis in system and helps keeping overall system stable) and timer is also reset. SR controller waits for falling edge at CS pin (begin of new conduction cycle). When CS goes negative, disable mode is deactivated

and IC starts to wake up (takes  $t_{LLD\_DIS\_REC}$ . system wake up is controlled same as exit from disable mode by TRIG / DIS pin). End of conduction phase (CS voltage goes positive) starts LLD timer. If next conduction phase comes shortly after first (pulses in skip burst) so shortly than  $t_{LLD} / 4$  just LLD timer is reset. LLD timer length is set back to  $t_{LLD}$  only when new conduction phase comes after previous in time between  $t_{LLD} / 4$  to  $t_{LLD} / 2$ . This situation happens when load is slowly increased and skip bursts come more often.

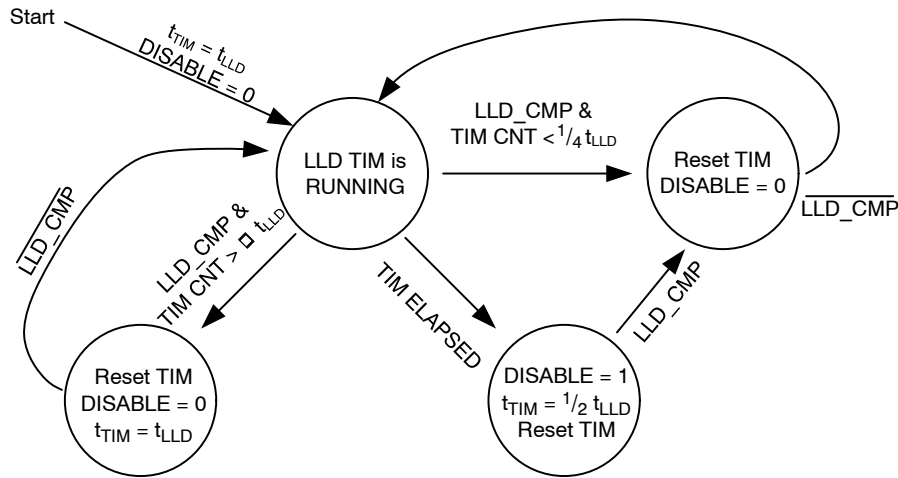


Figure 81. LLD Operation Bubble Diagram

Example of LLD operation with flyback convertor can be seen in Figure 82. SMPS works under heavy load from point 0 to 1 where switching pulses comes regularly at high frequency that resets LLD timer soon after begin of counting. Load is significantly decreased to light load at point 1 so primary controller turns to skip mode. LLD timer elapses during skip so controller enters disable mode with very low consumption and change LLD timer maximum to  $t_{LLD} / 2$ . Switching pulse in skip comes at time 3, this resets LLD timer and starts IC wake-up. Controller is waked up fully before point 4 and turns-on SR transistor. There is again no switching from 4 to 6 and thanks to it, LLD timer elapses at point 5 and controller enters disable mode again. Disable mode is ended at time 6, because new cycle comes. SR controller wakes-up and next pulse in skip burst is conducted via SR transistor. Time between 7 and 8 is delay between skip burst. Time is still less than  $t_{LLD} / 4$ , LLD timer

interval is not changed. Pulse at time 8 is fully conducted via SR transistor, because controller was not in disable mode before pulse came. No switching period between 9 and 11 is longer than  $t_{LLD} / 2$  that changes LLD timer setting to  $t_{LLD}$ . This is because shorter delay between skip burst means higher load. Pulses are transferred via SR transistor at time 11 and 12, because disable mode was not activated. Load is being decreased again between time 12 to 15 so at time 15 SR controller enters disable mode and LLD timer time is reduced again to  $t_{LLD} / 2$ . Second pulse in skip burst is again transferred via turned on SR transistor. Disable mode is activated after  $t_{LLD} / 2$  at time 18. Load is sharply changed at time 19 that means LLD timer is reset each pulse and timers time is kept at  $t_{LLD} / 2$ . Load is removed at time 20 and disable is activated at time 21. Suitable LLD timer setting for flyback type of SMPS is 540 or 1075  $\mu$ s (for special type 280  $\mu$ s).

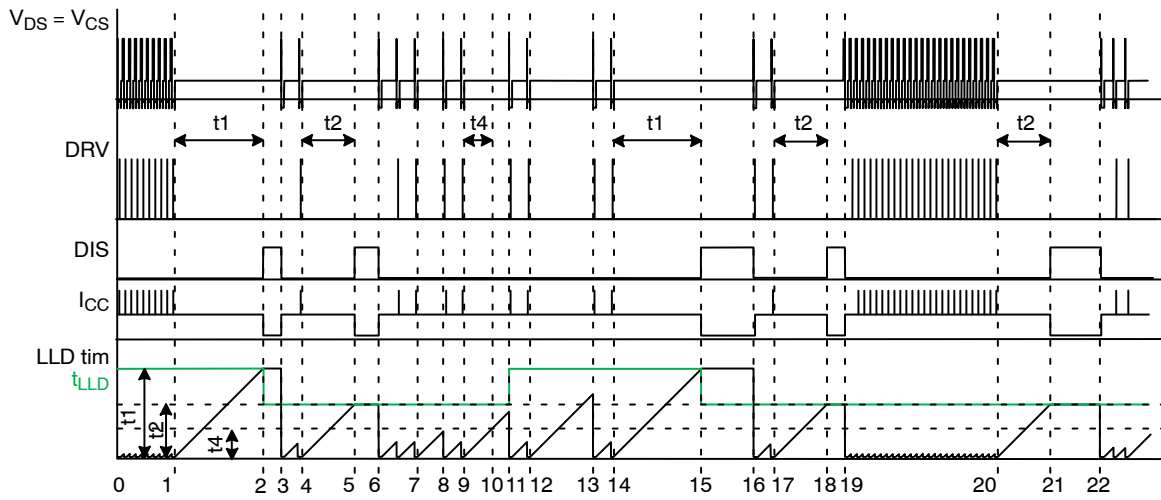


Figure 82. LLD Operation with Flyback SMPS

Example of LLD operation with LLC converter can be seen in Figure 83. SMPS works under heavy load from point 0 to 3. Both LLD timers are reset each cycle before LLD timer reaches  $t_{LLD} / 4$  and disable mode is not activated. SMPS load decreases at point 3 and goes into skip. LLD timers elapse during no switching time and change LLD timer time to  $t_{LLD} / 2$ . When skip burst comes at time 6 channel 2 starts to wake up, channel 1 starts to wake up at time 7. Both channels are ready to conduct via SR transistor

at time 8 respectively 9. Skip burst ends at time 12, LLD timers elapse at time 13 and 14 (reached  $t_{LLD} / 2$ ) and SR controllers enter disable mode. Controllers wake up at time 15 and 16 same as was in time 6 and 7. SMPS goes into skip in time 21, but load is connected soon and SMPS starts to operate under higher load from time 22. LLD timers reach time higher than  $t_{LLD} / 4$  but lower than  $t_{LLD} / 2$  so LLD timers maximum is set to  $t_{LLD}$ . LLD timer setting for LLC may be set to lower times.

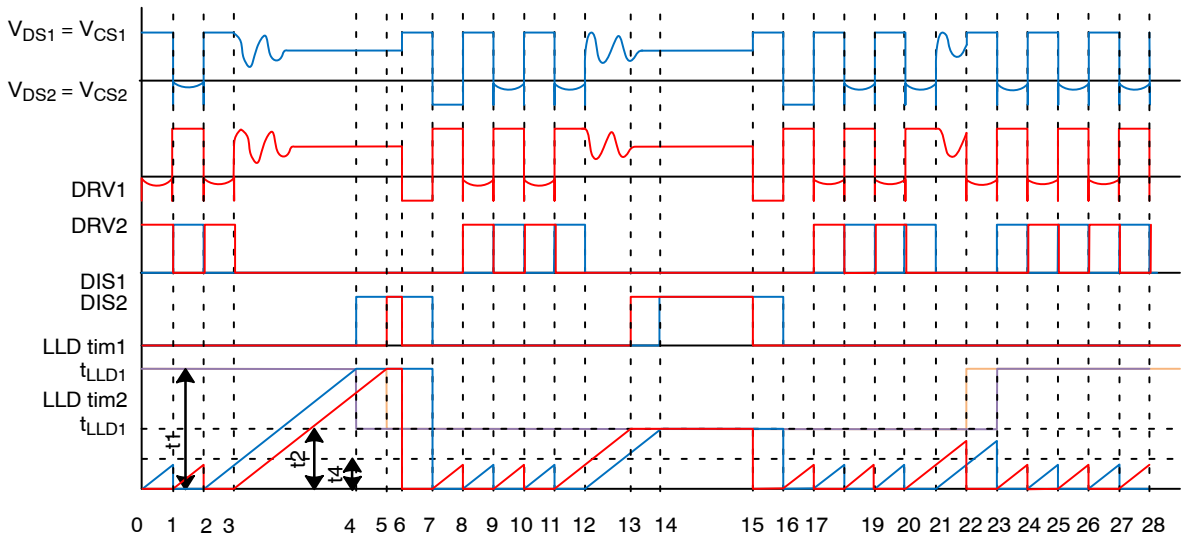


Figure 83. LLD Operation with LLC SMPS



## NCP4306

$$C_{iss} = C_{gs} + C_{gd} \quad (\text{eq. 4})$$

$$C_{rss} = C_{gd} \quad (\text{eq. 5})$$

$$C_{oss} = C_{ds} + C_{gd} \quad (\text{eq. 6})$$

Therefore, the input capacitance of a MOSFET operating in ZVS mode is given by the parallel combination of the gate to source and gate to drain capacitances (i.e.  $C_{iss}$  capacitance for given gate to source voltage). The total gate charge,  $Q_{g\_total}$ , of most MOSFETs on the market is defined for hard switching conditions. In order to accurately calculate the driving losses in a SR system, it is necessary to determine the gate charge of the MOSFET for operation specifically in a ZVS system. Some manufacturers define this parameter as  $Q_{g\_ZVS}$ . Unfortunately, most datasheets do not provide this data. If the  $C_{iss}$  (or  $Q_{g\_ZVS}$ ) parameter is not available then it will need to be measured. Please note that the input capacitance is not linear (as shown Figure 85) and it needs to be characterized for a given gate voltage clamp level.

### Step 2 – Gate drive losses calculation:

Gate drive losses are affected by the gate driver clamp voltage. Gate driver clamp voltage selection depends on the type of MOSFET used (threshold voltage versus channel resistance). The total power losses (driving losses and conduction losses) should be considered when selecting the gate driver clamp voltage. Most of today's MOSFETs for SR systems feature low  $R_{DS\_ON}$  for 5 V  $V_{GS}$  voltage. The

NCP4306 offers both a 5 V gate clamp and a 10 V gate clamp for those MOSFET that require higher gate to source voltage.

The total driving loss can be calculated using the selected gate driver clamp voltage and the input capacitance of the MOSFET:

$$P_{DRV\_total} = V_{CC} \times V_{CLAMP} \times C_{g\_ZVS} \times f_{sw} \quad (\text{eq. 7})$$

Where:

$V_{CC}$  is the NCP4306 supply voltage

$V_{CLAMP}$  is the driver clamp voltage

$C_{g\_ZVS}$  is the gate to source capacitance of the MOSFET in ZVS mode

$f_{sw}$  is the switching frequency of the target application

The total driving power loss won't only be dissipated in the IC, but also in external resistances like the external gate resistor (if used) and the MOSFET internal gate resistance (Figure 86). Because NCP4306 features a clamped driver, it's high side portion can be modeled as a regular driver switch with equivalent resistance and a series voltage source. The low side driver switch resistance does not drop immediately at turn-off, thus it is necessary to use an equivalent value ( $R_{DRV\_SIN\_EQ}$ ) for calculations. This method simplifies power losses calculations and still provides acceptable accuracy. Internal driver power dissipation can then be calculated using equation 8:

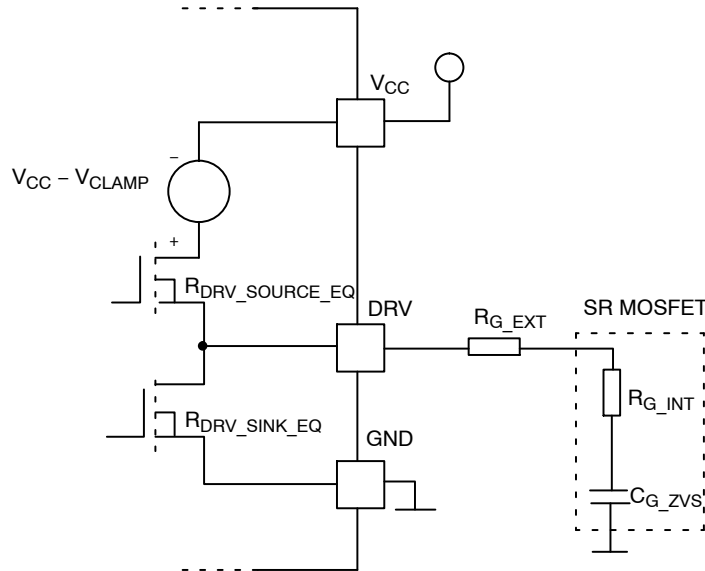


Figure 86. Equivalent Schematic of Gate Drive Circuitry

## NCP4306

$$P_{\text{DRV\_IC}} = \frac{1}{2} \times C_{\text{g\_ZVS}} \times V_{\text{CLAMP}}^2 \times f_{\text{SW}} \times \left( \frac{R_{\text{DRV\_SINK\_EQ}}}{R_{\text{DRV\_SINK\_EQ}} + R_{\text{G\_EXT}} + R_{\text{g\_int}}} \right) + C_{\text{g\_ZVS}} \times V_{\text{CLAMP}} \times f_{\text{SW}} \times (V_{\text{CC}} + V_{\text{CLAMP}}) + \frac{1}{2} \times C_{\text{g\_ZVS}} \times V_{\text{CLAMP}}^2 \times f_{\text{SW}} \times \left( \frac{R_{\text{DRV\_SOURCE\_EQ}}}{R_{\text{DRV\_SOURCE\_EQ}} + R_{\text{G\_EXT}} + R_{\text{g\_int}}} \right) \quad (\text{eq. 8})$$

Where:

$R_{\text{DRV\_SINK\_EQ}}$  is the NCP4306 driver low side switch equivalent resistance (1.6  $\Omega$ )

$R_{\text{DRV\_SOURCE\_EQ}}$  is the NCP4306 driver high side switch equivalent resistance (7  $\Omega$ )

$R_{\text{G\_EXT}}$  is the external gate resistor (if used)

$R_{\text{g\_int}}$  is the internal gate resistance of the MOSFET

### Step 3 – IC consumption calculation:

In this step, power dissipation related to the internal IC consumption is calculated. This power loss is given by the  $I_{\text{CC}}$  current and the IC supply voltage. The  $I_{\text{CC}}$  current depends on switching frequency and also on the selected min  $t_{\text{ON}}$  and  $t_{\text{OFF}}$  periods because there is current flowing out from the MIN\_TON and MIN\_TOFF pins. The most accurate method for calculating these losses is to measure the  $I_{\text{CC}}$  current when  $C_{\text{LOAD}} = 0$  nF and the IC is switching at the target frequency with given min  $t_{\text{ON}}$  and min  $t_{\text{OFF}}$  adjust resistors. IC consumption losses can be calculated as:

$$P_{\text{CC}} = V_{\text{CC}} \times I_{\text{CC}} \quad (\text{eq. 9})$$

### Step 4 – IC die temperature arise calculation:

The die temperature can be calculated now that the total internal power losses have been determined (driver losses plus internal IC consumption losses). The package thermal resistance is specified in the maximum ratings table for a 35  $\mu\text{m}$  thin copper layer with 1 in<sup>2</sup> copper area.

The die temperature is calculated as:

$$T_{\text{DIE}} = (P_{\text{DRV\_IC}} + P_{\text{CC}}) \times R_{\theta\text{J-A}} + T_{\text{A}} \quad (\text{eq. 10})$$

Where:

$P_{\text{DRV\_IC}}$  is the IC driver internal power dissipation

$P_{\text{CC}}$  is the IC control internal power dissipation

$R_{\text{J-A}}$  is the thermal resistance from junction to ambient

$T_{\text{A}}$  is the ambient temperature

# NCP4306

## OPN coding table

NCP4306 OPN is built from prefix of NCP4306 and postfix that consist of seven letters. Meaning of these letters are shown in table 7.

**Table 7. OPN CODING TABLE**

NCP4306xxxxxxx			
Postfix Index	Parameter	Postfix	Parameter
1	Pinout	A	MIN_TON, MIN_TOFF, LLD, TRIG / DIS – 8 pins
		B	MIN_TON, LLD
		C	MIN_TOFF, LLD
		D	MIN_TON, MIN_TOFF
		E	MIN_TOFF, TRIG / DIS
		F	MIN_TON, TRIG / DIS
		G	TRIG / DIS, LLD
		H	None
2	DRV	A	DRV CLMP = 10 V
		B	DRV CLMP = 5 V
3	dV / dt + exception	A	None
		D	Flyback (dV / dt) – 100 V / $\mu$ s
		H	LLC exception – multiplier 4
4	MIN_TON	A	130 ns
		B	220 ns
		C	310 ns
		D	400 ns
		E	500 ns
		F	600 ns
		G	700 ns
		H	800 ns
		I	1000 ns
		J	1200 ns
		K	1400 ns
		L	1700 ns
		M	2000 ns
		Z	External
5	MIN_TOFF	A	0.9 $\mu$ s
		B	1.0 $\mu$ s
		C	1.1 $\mu$ s
		D	1.2 $\mu$ s
		E	1.4 $\mu$ s
		F	1.6 $\mu$ s
		G	1.8 $\mu$ s
		H	2.0 $\mu$ s
		I	2.2 $\mu$ s
		J	2.4 $\mu$ s
		K	2.6 $\mu$ s
		L	2.9 $\mu$ s
		M	3.2 $\mu$ s
		N	3.5 $\mu$ s
O	3.9 $\mu$ s		
Z	External		

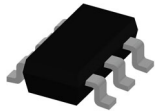
# NCP4306

**Table 7. OPN CODING TABLE** (continued)

NCP4306xxxxxxx			
Postfix Index	Parameter	Postfix	Parameter
6	LLD	A	68 $\mu$ s
		B	130 $\mu$ s
		C	280 $\mu$ s
		D	540 $\mu$ s
		E	1075 $\mu$ s
		F	Disabled
		Z	External
7	Reserved	A	-

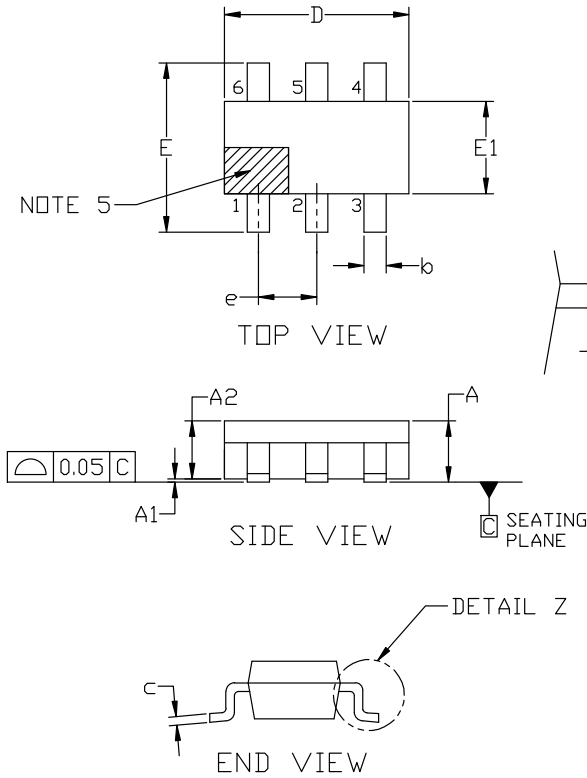
# MECHANICAL CASE OUTLINE

## PACKAGE DIMENSIONS



**TSOP-6 3.00x1.50x0.90, 0.95P**  
**CASE 318G**  
**ISSUE W**

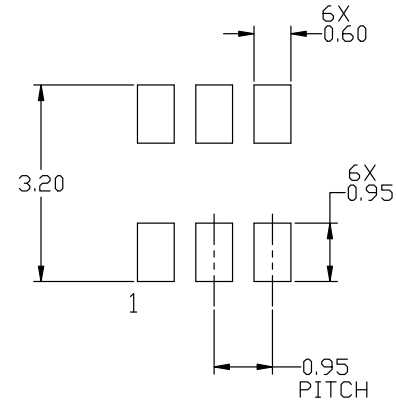
DATE 26 FEB 2024



**NOTES:**

1. DIMENSIONING AND TOLERANCING PER ASME Y14.5M, 2018.
2. CONTROLLING DIMENSION: MILLIMETERS.
3. MAXIMUM LEAD THICKNESS INCLUDES LEAD FINISH. MINIMUM LEAD THICKNESS IS THE MINIMUM THICKNESS OF BASE MATERIAL.
4. DIMENSIONS D AND E1 DO NOT INCLUDE MOLD FLASH, PROTRUSIONS, OR GATE BURRS. MOLD FLASH, PROTRUSIONS, OR GATE BURRS SHALL NOT EXCEED 0.15 PER SIDE. DIMENSIONS D AND E1 ARE DETERMINED AT DATUM H.
5. PIN 1 INDICATOR MUST BE LOCATED IN THE INDICATED ZONE

MILLIMETERS			
DIM	MIN	NOM	MAX
A	0.90	1.00	1.10
A1	0.01	0.06	0.10
A2	0.80	0.90	1.00
b	0.25	0.38	0.50
c	0.10	0.18	0.26
D	2.90	3.00	3.10
E	2.50	2.75	3.00
E1	1.30	1.50	1.70
e	0.85	0.95	1.05
L	0.20	0.40	0.60
L2	0.25 BSC		
M	0°	---	10°



**RECOMMENDED MOUNTING FOOTPRINT**

\*For additional information on our Pb-Free strategy and soldering details, please download the ON Semiconductor Soldering and Mounting Techniques Reference manual, SOLDERRM/D.

<b>DOCUMENT NUMBER:</b>	<b>98ASB14888C</b>	Electronic versions are uncontrolled except when accessed directly from the Document Repository. Printed versions are uncontrolled except when stamped "CONTROLLED COPY" in red.
<b>DESCRIPTION:</b>	<b>TSOP-6 3.00x1.50x0.90, 0.95P</b>	<b>PAGE 1 OF 2</b>

onsemi and ONSEMI are trademarks of Semiconductor Components Industries, LLC dba onsemi or its subsidiaries in the United States and/or other countries. onsemi reserves the right to make changes without further notice to any products herein. onsemi makes no warranty, representation or guarantee regarding the suitability of its products for any particular purpose, nor does onsemi assume any liability arising out of the application or use of any product or circuit, and specifically disclaims any and all liability, including without limitation special, consequential or incidental damages. onsemi does not convey any license under its patent rights nor the rights of others.

# MECHANICAL CASE OUTLINE

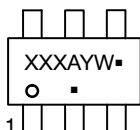
## PACKAGE DIMENSIONS



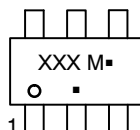
TSOP-6 3.00x1.50x0.90, 0.95P  
CASE 318G  
ISSUE W

DATE 26 FEB 2024

### GENERIC MARKING DIAGRAM\*



IC



STANDARD

XXX = Specific Device Code  
A = Assembly Location  
Y = Year  
W = Work Week  
▪ = Pb-Free Package

XXX = Specific Device Code  
M = Date Code  
▪ = Pb-Free Package

\*This information is generic. Please refer to device data sheet for actual part marking. Pb-Free indicator, "G" or microdot "▪", may or may not be present. Some products may not follow the Generic Marking.

- |  |  |   |   |   |  |
|--|--|---|---|---|--|
| <p>STYLE 1:<br/>PIN 1. DRAIN<br/>2. DRAIN<br/>3. GATE<br/>4. SOURCE<br/>5. DRAIN<br/>6. DRAIN</p>              | <p>STYLE 2:<br/>PIN 1. EMITTER 2<br/>2. BASE 1<br/>3. COLLECTOR 1<br/>4. EMITTER 1<br/>5. BASE 2<br/>6. COLLECTOR 2</p>    | <p>STYLE 3:<br/>PIN 1. ENABLE<br/>2. N/C<br/>3. R BOOST<br/>4. Vz<br/>5. V in<br/>6. V out</p>                            | <p>STYLE 4:<br/>PIN 1. N/C<br/>2. V in<br/>3. NOT USED<br/>4. GROUND<br/>5. ENABLE<br/>6. LOAD</p>                | <p>STYLE 5:<br/>PIN 1. EMITTER 2<br/>2. BASE 2<br/>3. COLLECTOR 1<br/>4. EMITTER 1<br/>5. BASE 1<br/>6. COLLECTOR 2</p> | <p>STYLE 6:<br/>PIN 1. COLLECTOR<br/>2. COLLECTOR<br/>3. BASE<br/>4. EMITTER<br/>5. COLLECTOR<br/>6. COLLECTOR</p> |
| <p>STYLE 7:<br/>PIN 1. COLLECTOR<br/>2. COLLECTOR<br/>3. BASE<br/>4. N/C<br/>5. COLLECTOR<br/>6. EMITTER</p>   | <p>STYLE 8:<br/>PIN 1. Vbus<br/>2. D(in)<br/>3. D(in)+<br/>4. D(out)+<br/>5. D(out)<br/>6. GND</p>                         | <p>STYLE 9:<br/>PIN 1. LOW VOLTAGE GATE<br/>2. DRAIN<br/>3. SOURCE<br/>4. DRAIN<br/>5. DRAIN<br/>6. HIGH VOLTAGE GATE</p> | <p>STYLE 10:<br/>PIN 1. D(OUT)+<br/>2. GND<br/>3. D(OUT)-<br/>4. D(IN)-<br/>5. VBUS<br/>6. D(IN)+</p>             | <p>STYLE 11:<br/>PIN 1. SOURCE 1<br/>2. DRAIN 2<br/>3. DRAIN 2<br/>4. SOURCE 2<br/>5. GATE 1<br/>6. DRAIN 1/GATE 2</p>  | <p>STYLE 12:<br/>PIN 1. I/O<br/>2. GROUND<br/>3. I/O<br/>4. I/O<br/>5. VCC<br/>6. I/O</p>                          |
| <p>STYLE 13:<br/>PIN 1. GATE 1<br/>2. SOURCE 2<br/>3. GATE 2<br/>4. DRAIN 2<br/>5. SOURCE 1<br/>6. DRAIN 1</p> | <p>STYLE 14:<br/>PIN 1. ANODE<br/>2. SOURCE<br/>3. GATE<br/>4. CATHODE/DRAIN<br/>5. CATHODE/DRAIN<br/>6. CATHODE/DRAIN</p> | <p>STYLE 15:<br/>PIN 1. ANODE<br/>2. SOURCE<br/>3. GATE<br/>4. DRAIN<br/>5. N/C<br/>6. CATHODE</p>                        | <p>STYLE 16:<br/>PIN 1. ANODE/CATHODE<br/>2. BASE<br/>3. EMITTER<br/>4. COLLECTOR<br/>5. ANODE<br/>6. CATHODE</p> | <p>STYLE 17:<br/>PIN 1. EMITTER<br/>2. BASE<br/>3. ANODE/CATHODE<br/>4. ANODE<br/>5. CATHODE<br/>6. COLLECTOR</p>       |  |

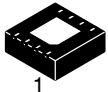
<b>DOCUMENT NUMBER:</b>	<b>98ASB14888C</b>	Electronic versions are uncontrolled except when accessed directly from the Document Repository. Printed versions are uncontrolled except when stamped "CONTROLLED COPY" in red.
<b>DESCRIPTION:</b>	<b>TSOP-6 3.00x1.50x0.90, 0.95P</b>	<b>PAGE 2 OF 2</b>

onsemi and ONSEMI are trademarks of Semiconductor Components Industries, LLC dba onsemi or its subsidiaries in the United States and/or other countries. onsemi reserves the right to make changes without further notice to any products herein. onsemi makes no warranty, representation or guarantee regarding the suitability of its products for any particular purpose, nor does onsemi assume any liability arising out of the application or use of any product or circuit, and specifically disclaims any and all liability, including without limitation special, consequential or incidental damages. onsemi does not convey any license under its patent rights nor the rights of others.

# MECHANICAL CASE OUTLINE

## PACKAGE DIMENSIONS

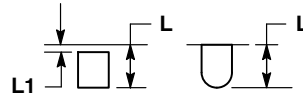
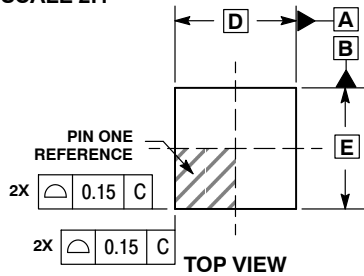
ON Semiconductor®



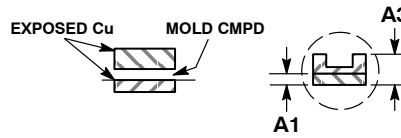
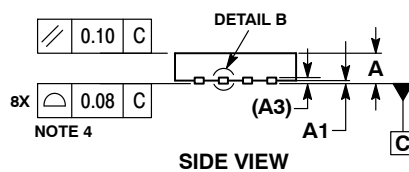
SCALE 2:1

### DFN8, 4x4 CASE 488AF-01 ISSUE C

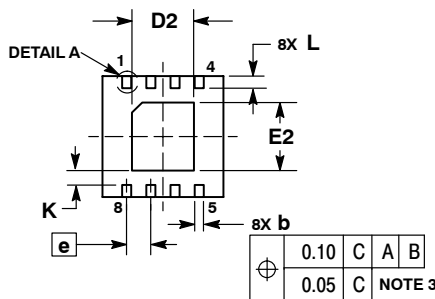
DATE 15 JAN 2009



DETAIL A  
OPTIONAL  
CONSTRUCTIONS

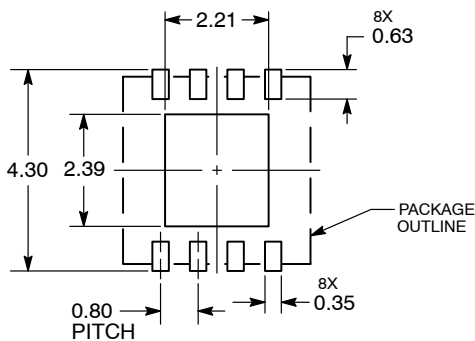


DETAIL B  
ALTERNATE  
CONSTRUCTIONS



BOTTOM VIEW

#### SOLDERING FOOTPRINT\*



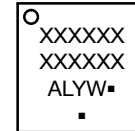
DIMENSIONS: MILLIMETERS

NOTES:

1. DIMENSIONS AND TOLERANCING PER ASME Y14.5M, 1994.
2. CONTROLLING DIMENSION: MILLIMETERS.
3. DIMENSION b APPLIES TO PLATED TERMINAL AND IS MEASURED BETWEEN 0.15 AND 0.30MM FROM TERMINAL TIP.
4. COPLANARITY APPLIES TO THE EXPOSED PAD AS WELL AS THE TERMINALS.
5. DETAILS A AND B SHOW OPTIONAL CONSTRUCTIONS FOR TERMINALS.

MILLIMETERS		
DIM	MIN	MAX
A	0.80	1.00
A1	0.00	0.05
A3	0.20	REF
b	0.25	0.35
D	4.00	BSC
D2	1.91	2.21
E	4.00	BSC
E2	2.09	2.39
e	0.80	BSC
K	0.20	---
L	0.30	0.50
L1	---	0.15

#### GENERIC MARKING DIAGRAM\*



- XXXX = Specific Device Code
- A = Assembly Location
- L = Wafer Lot
- Y = Year
- W = Work Week
- = Pb-Free Package

(Note: Microdot may be in either location)

\*This information is generic. Please refer to device data sheet for actual part marking. Pb-Free indicator, "G" or microdot "▪", may or may not be present.

\*For additional information on our Pb-Free strategy and soldering details, please download the ON Semiconductor Soldering and Mounting Techniques Reference Manual, SOLDERRM/D.

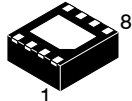
DOCUMENT NUMBER:	98AON15232D	Electronic versions are uncontrolled except when accessed directly from the Document Repository. Printed versions are uncontrolled except when stamped "CONTROLLED COPY" in red.
DESCRIPTION:	DFN8, 4X4, 0.8P	PAGE 1 OF 1

ON Semiconductor and ON are trademarks of Semiconductor Components Industries, LLC dba ON Semiconductor or its subsidiaries in the United States and/or other countries. ON Semiconductor reserves the right to make changes without further notice to any products herein. ON Semiconductor makes no warranty, representation or guarantee regarding the suitability of its products for any particular purpose, nor does ON Semiconductor assume any liability arising out of the application or use of any product or circuit, and specifically disclaims any and all liability, including without limitation special, consequential or incidental damages. ON Semiconductor does not convey any license under its patent rights nor the rights of others.

# MECHANICAL CASE OUTLINE

## PACKAGE DIMENSIONS

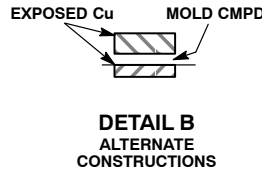
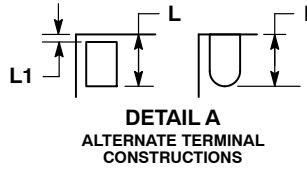
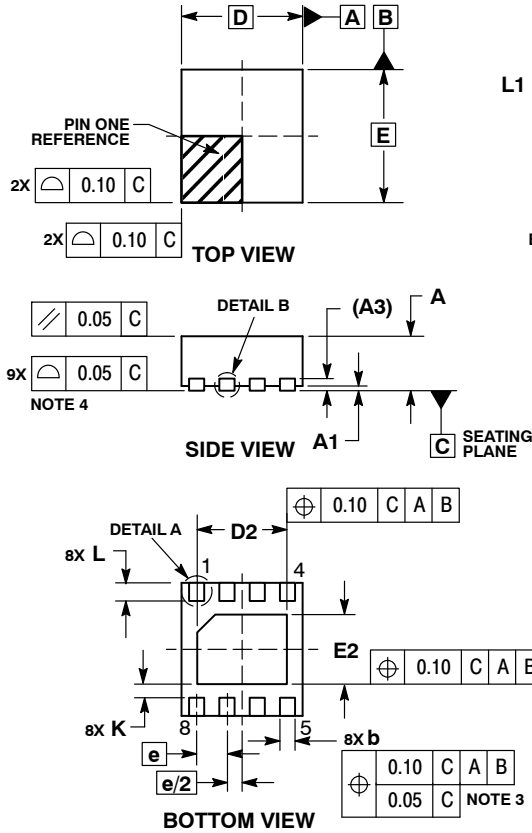
ON Semiconductor®



SCALE 4:1

DFN8, 2.0x2.2, 0.5P  
CASE 506BP-01  
ISSUE A

DATE 13 JAN 2010

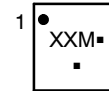


**NOTES:**

1. DIMENSIONING AND TOLERANCING PER ASME Y14.5M, 1994.
2. CONTROLLING DIMENSION: MILLIMETERS.
3. DIMENSION b APPLIES TO PLATED TERMINAL AND IS MEASURED BETWEEN 0.15 AND 0.30 mm FROM TERMINAL.
4. COPLANARITY APPLIES TO THE EXPOSED PAD AS WELL AS THE TERMINALS.

DIM	MILLIMETERS		
	MIN	TYP	MAX
A	0.80	---	1.00
A1	0.00	---	0.05
A3	0.20 REF		
b	0.20	---	0.30
D	2.00 BSC		
D2	1.43	---	1.53
E	2.20 BSC		
E2	1.05	---	1.25
e	0.50 BSC		
K	0.20	0.22	0.30
L	0.25	---	0.35
L1	---	---	0.15

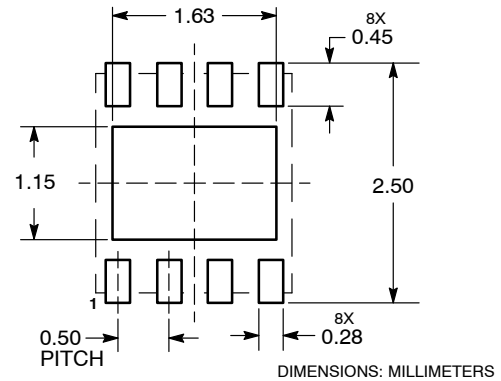
**GENERIC MARKING DIAGRAM\***



- XX = Specific Device Code
- M = Date Code
- = Pb-Free Device

\*This information is generic. Please refer to device data sheet for actual part marking.  
Pb-Free indicator, "G" or microdot "■", may or may not be present.

**SOLDERING FOOTPRINT\***

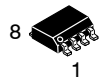


\*For additional information on our Pb-Free strategy and soldering details, please download the ON Semiconductor Soldering and Mounting Techniques Reference Manual, SOLDERRM/D.

<b>DOCUMENT NUMBER:</b>	<b>98AON38697E</b>	Electronic versions are uncontrolled except when accessed directly from the Document Repository. Printed versions are uncontrolled except when stamped "CONTROLLED COPY" in red.
<b>DESCRIPTION:</b>	<b>DFN8, 2.0X2.2, 0.5P</b>	<b>PAGE 1 OF 1</b>

ON Semiconductor and ON are trademarks of Semiconductor Components Industries, LLC dba ON Semiconductor or its subsidiaries in the United States and/or other countries. ON Semiconductor reserves the right to make changes without further notice to any products herein. ON Semiconductor makes no warranty, representation or guarantee regarding the suitability of its products for any particular purpose, nor does ON Semiconductor assume any liability arising out of the application or use of any product or circuit, and specifically disclaims any and all liability, including without limitation special, consequential or incidental damages. ON Semiconductor does not convey any license under its patent rights nor the rights of others.

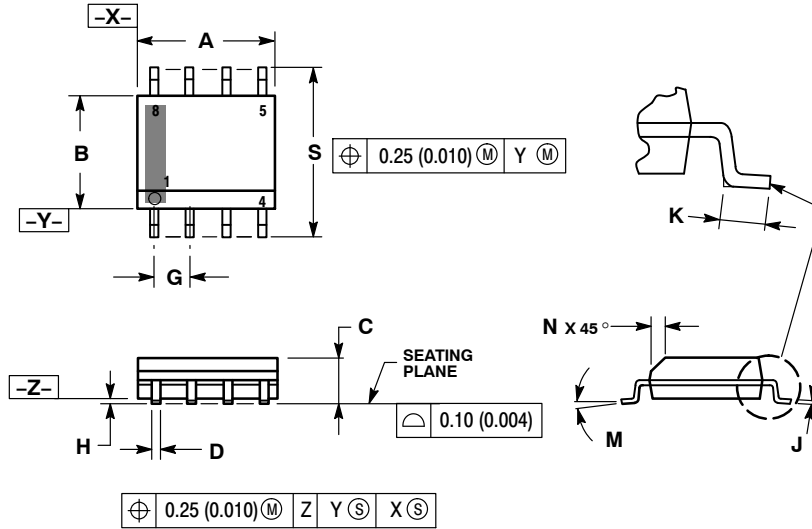
# MECHANICAL CASE OUTLINE PACKAGE DIMENSIONS



SCALE 1:1

SOIC-8 NB  
CASE 751-07  
ISSUE AK

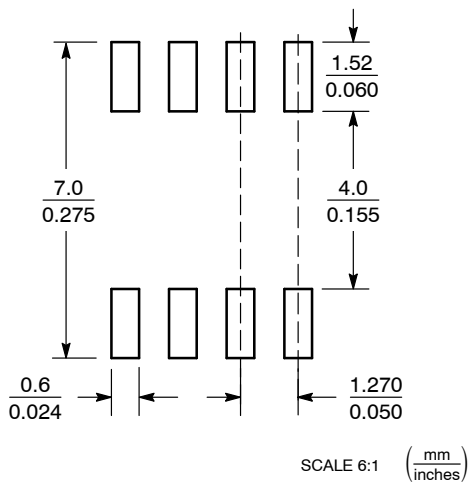
DATE 16 FEB 2011



- NOTES:
1. DIMENSIONING AND TOLERANCING PER ANSI Y14.5M, 1982.
  2. CONTROLLING DIMENSION: MILLIMETER.
  3. DIMENSION A AND B DO NOT INCLUDE MOLD PROTRUSION.
  4. MAXIMUM MOLD PROTRUSION 0.15 (0.006) PER SIDE.
  5. DIMENSION D DOES NOT INCLUDE DAMBAR PROTRUSION. ALLOWABLE DAMBAR PROTRUSION SHALL BE 0.127 (0.005) TOTAL IN EXCESS OF THE D DIMENSION AT MAXIMUM MATERIAL CONDITION.
  6. 751-01 THRU 751-06 ARE OBSOLETE. NEW STANDARD IS 751-07.

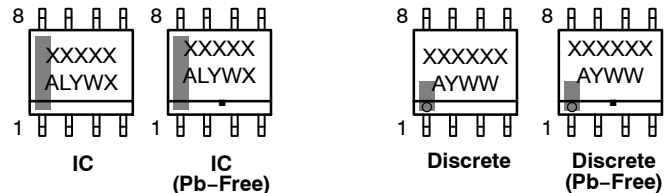
DIM	MILLIMETERS		INCHES	
	MIN	MAX	MIN	MAX
A	4.80	5.00	0.189	0.197
B	3.80	4.00	0.150	0.157
C	1.35	1.75	0.053	0.069
D	0.33	0.51	0.013	0.020
G	1.27 BSC		0.050 BSC	
H	0.10	0.25	0.004	0.010
J	0.19	0.25	0.007	0.010
K	0.40	1.27	0.016	0.050
M	0°	8°	0°	8°
N	0.25	0.50	0.010	0.020
S	5.80	6.20	0.228	0.244

### SOLDERING FOOTPRINT\*



\*For additional information on our Pb-Free strategy and soldering details, please download the ON Semiconductor Soldering and Mounting Techniques Reference Manual, SOLDERRM/D.

### GENERIC MARKING DIAGRAM\*



XXXXXX = Specific Device Code  
A = Assembly Location  
L = Wafer Lot  
Y = Year  
W = Work Week  
▪ = Pb-Free Package

XXXXXX = Specific Device Code  
A = Assembly Location  
Y = Year  
WW = Work Week  
▪ = Pb-Free Package

\*This information is generic. Please refer to device data sheet for actual part marking. Pb-Free indicator, "G" or microdot "▪", may or may not be present. Some products may not follow the Generic Marking.

### STYLES ON PAGE 2

DOCUMENT NUMBER:	98ASB42564B	Electronic versions are uncontrolled except when accessed directly from the Document Repository. Printed versions are uncontrolled except when stamped "CONTROLLED COPY" in red.
DESCRIPTION:	SOIC-8 NB	PAGE 1 OF 2

onsemi and ONsemi are trademarks of Semiconductor Components Industries, LLC dba onsemi or its subsidiaries in the United States and/or other countries. onsemi reserves the right to make changes without further notice to any products herein. onsemi makes no warranty, representation or guarantee regarding the suitability of its products for any particular purpose, nor does onsemi assume any liability arising out of the application or use of any product or circuit, and specifically disclaims any and all liability, including without limitation special, consequential or incidental damages. onsemi does not convey any license under its patent rights nor the rights of others.

**SOIC-8 NB**  
**CASE 751-07**  
**ISSUE AK**

DATE 16 FEB 2011

- |   |  |  |  |
|---|--|--|--|
| <p>STYLE 1:<br/>         PIN 1. EMITTER<br/>         2. COLLECTOR<br/>         3. COLLECTOR<br/>         4. EMITTER<br/>         5. EMITTER<br/>         6. BASE<br/>         7. BASE<br/>         8. EMITTER</p>   | <p>STYLE 2:<br/>         PIN 1. COLLECTOR, DIE, #1<br/>         2. COLLECTOR, #1<br/>         3. COLLECTOR, #2<br/>         4. COLLECTOR, #2<br/>         5. BASE, #2<br/>         6. EMITTER, #2<br/>         7. BASE, #1<br/>         8. EMITTER, #1</p>               | <p>STYLE 3:<br/>         PIN 1. DRAIN, DIE #1<br/>         2. DRAIN, #1<br/>         3. DRAIN, #2<br/>         4. DRAIN, #2<br/>         5. GATE, #2<br/>         6. SOURCE, #2<br/>         7. GATE, #1<br/>         8. SOURCE, #1</p>                            | <p>STYLE 4:<br/>         PIN 1. ANODE<br/>         2. ANODE<br/>         3. ANODE<br/>         4. ANODE<br/>         5. ANODE<br/>         6. ANODE<br/>         7. ANODE<br/>         8. COMMON CATHODE</p>   |
| <p>STYLE 5:<br/>         PIN 1. DRAIN<br/>         2. DRAIN<br/>         3. DRAIN<br/>         4. DRAIN<br/>         5. GATE<br/>         6. GATE<br/>         7. SOURCE<br/>         8. SOURCE</p>   | <p>STYLE 6:<br/>         PIN 1. SOURCE<br/>         2. DRAIN<br/>         3. DRAIN<br/>         4. SOURCE<br/>         5. SOURCE<br/>         6. GATE<br/>         7. GATE<br/>         8. SOURCE</p>  | <p>STYLE 7:<br/>         PIN 1. INPUT<br/>         2. EXTERNAL BYPASS<br/>         3. THIRD STAGE SOURCE<br/>         4. GROUND<br/>         5. DRAIN<br/>         6. GATE 3<br/>         7. SECOND STAGE Vd<br/>         8. FIRST STAGE Vd</p>                    | <p>STYLE 8:<br/>         PIN 1. COLLECTOR, DIE #1<br/>         2. BASE, #1<br/>         3. BASE, #2<br/>         4. COLLECTOR, #2<br/>         5. COLLECTOR, #2<br/>         6. EMITTER, #2<br/>         7. EMITTER, #1<br/>         8. COLLECTOR, #1</p>                              |
| <p>STYLE 9:<br/>         PIN 1. EMITTER, COMMON<br/>         2. COLLECTOR, DIE #1<br/>         3. COLLECTOR, DIE #2<br/>         4. EMITTER, COMMON<br/>         5. EMITTER, COMMON<br/>         6. BASE, DIE #2<br/>         7. BASE, DIE #1<br/>         8. EMITTER, COMMON</p> | <p>STYLE 10:<br/>         PIN 1. GROUND<br/>         2. BIAS 1<br/>         3. OUTPUT<br/>         4. GROUND<br/>         5. GROUND<br/>         6. BIAS 2<br/>         7. INPUT<br/>         8. GROUND</p>  | <p>STYLE 11:<br/>         PIN 1. SOURCE 1<br/>         2. GATE 1<br/>         3. SOURCE 2<br/>         4. GATE 2<br/>         5. DRAIN 2<br/>         6. DRAIN 2<br/>         7. DRAIN 1<br/>         8. DRAIN 1</p>   | <p>STYLE 12:<br/>         PIN 1. SOURCE<br/>         2. SOURCE<br/>         3. SOURCE<br/>         4. GATE<br/>         5. DRAIN<br/>         6. DRAIN<br/>         7. DRAIN<br/>         8. DRAIN</p>   |
| <p>STYLE 13:<br/>         PIN 1. N.C.<br/>         2. SOURCE<br/>         3. SOURCE<br/>         4. GATE<br/>         5. DRAIN<br/>         6. DRAIN<br/>         7. DRAIN<br/>         8. DRAIN</p>  | <p>STYLE 14:<br/>         PIN 1. N-SOURCE<br/>         2. N-GATE<br/>         3. P-SOURCE<br/>         4. P-GATE<br/>         5. P-DRAIN<br/>         6. P-DRAIN<br/>         7. N-DRAIN<br/>         8. N-DRAIN</p>   | <p>STYLE 15:<br/>         PIN 1. ANODE 1<br/>         2. ANODE 1<br/>         3. ANODE 1<br/>         4. ANODE 1<br/>         5. CATHODE, COMMON<br/>         6. CATHODE, COMMON<br/>         7. CATHODE, COMMON<br/>         8. CATHODE, COMMON</p>               | <p>STYLE 16:<br/>         PIN 1. EMITTER, DIE #1<br/>         2. BASE, DIE #1<br/>         3. EMITTER, DIE #2<br/>         4. BASE, DIE #2<br/>         5. COLLECTOR, DIE #2<br/>         6. COLLECTOR, DIE #2<br/>         7. COLLECTOR, DIE #1<br/>         8. COLLECTOR, DIE #1</p> |
| <p>STYLE 17:<br/>         PIN 1. VCC<br/>         2. V2OUT<br/>         3. V1OUT<br/>         4. TXE<br/>         5. RXE<br/>         6. VEE<br/>         7. GND<br/>         8. ACC</p>  | <p>STYLE 18:<br/>         PIN 1. ANODE<br/>         2. ANODE<br/>         3. SOURCE<br/>         4. GATE<br/>         5. DRAIN<br/>         6. DRAIN<br/>         7. CATHODE<br/>         8. CATHODE</p>   | <p>STYLE 19:<br/>         PIN 1. SOURCE 1<br/>         2. GATE 1<br/>         3. SOURCE 2<br/>         4. GATE 2<br/>         5. DRAIN 2<br/>         6. MIRROR 2<br/>         7. DRAIN 1<br/>         8. MIRROR 1</p>   | <p>STYLE 20:<br/>         PIN 1. SOURCE (N)<br/>         2. GATE (N)<br/>         3. SOURCE (P)<br/>         4. GATE (P)<br/>         5. DRAIN<br/>         6. DRAIN<br/>         7. DRAIN<br/>         8. DRAIN</p>   |
| <p>STYLE 21:<br/>         PIN 1. CATHODE 1<br/>         2. CATHODE 2<br/>         3. CATHODE 3<br/>         4. CATHODE 4<br/>         5. CATHODE 5<br/>         6. COMMON ANODE<br/>         7. COMMON ANODE<br/>         8. CATHODE 6</p>  | <p>STYLE 22:<br/>         PIN 1. I/O LINE 1<br/>         2. COMMON CATHODE/VCC<br/>         3. COMMON CATHODE/VCC<br/>         4. I/O LINE 3<br/>         5. COMMON ANODE/GND<br/>         6. I/O LINE 4<br/>         7. I/O LINE 5<br/>         8. COMMON ANODE/GND</p> | <p>STYLE 23:<br/>         PIN 1. LINE 1 IN<br/>         2. COMMON ANODE/GND<br/>         3. COMMON ANODE/GND<br/>         4. LINE 2 IN<br/>         5. LINE 2 OUT<br/>         6. COMMON ANODE/GND<br/>         7. COMMON ANODE/GND<br/>         8. LINE 1 OUT</p> | <p>STYLE 24:<br/>         PIN 1. BASE<br/>         2. EMITTER<br/>         3. COLLECTOR/ANODE<br/>         4. COLLECTOR/ANODE<br/>         5. CATHODE<br/>         6. CATHODE<br/>         7. COLLECTOR/ANODE<br/>         8. COLLECTOR/ANODE</p>                                      |
| <p>STYLE 25:<br/>         PIN 1. VIN<br/>         2. N/C<br/>         3. REXT<br/>         4. GND<br/>         5. IOUT<br/>         6. IOUT<br/>         7. IOUT<br/>         8. IOUT</p>   | <p>STYLE 26:<br/>         PIN 1. GND<br/>         2. dv/dt<br/>         3. ENABLE<br/>         4. ILIMIT<br/>         5. SOURCE<br/>         6. SOURCE<br/>         7. SOURCE<br/>         8. VCC</p>  | <p>STYLE 27:<br/>         PIN 1. ILIMIT<br/>         2. OVLO<br/>         3. UVLO<br/>         4. INPUT+<br/>         5. SOURCE<br/>         6. SOURCE<br/>         7. SOURCE<br/>         8. DRAIN</p>  | <p>STYLE 28:<br/>         PIN 1. SW_TO_GND<br/>         2. DASIC_OFF<br/>         3. DASIC_SW_DET<br/>         4. GND<br/>         5. V_MON<br/>         6. VBULK<br/>         7. VBULK<br/>         8. VIN</p>  |
| <p>STYLE 29:<br/>         PIN 1. BASE, DIE #1<br/>         2. EMITTER, #1<br/>         3. BASE, #2<br/>         4. EMITTER, #2<br/>         5. COLLECTOR, #2<br/>         6. COLLECTOR, #2<br/>         7. COLLECTOR, #1<br/>         8. COLLECTOR, #1</p>                        | <p>STYLE 30:<br/>         PIN 1. DRAIN 1<br/>         2. DRAIN 1<br/>         3. GATE 2<br/>         4. SOURCE 2<br/>         5. SOURCE 1/DRAIN 2<br/>         6. SOURCE 1/DRAIN 2<br/>         7. SOURCE 1/DRAIN 2<br/>         8. GATE 1</p>                           |  |  |

<b>DOCUMENT NUMBER:</b>	<b>98ASB42564B</b>	Electronic versions are uncontrolled except when accessed directly from the Document Repository. Printed versions are uncontrolled except when stamped "CONTROLLED COPY" in red.
<b>DESCRIPTION:</b>	<b>SOIC-8 NB</b>	<b>PAGE 2 OF 2</b>

**onsemi** and **ONSEMI** are trademarks of Semiconductor Components Industries, LLC dba **onsemi** or its subsidiaries in the United States and/or other countries. **onsemi** reserves the right to make changes without further notice to any products herein. **onsemi** makes no warranty, representation or guarantee regarding the suitability of its products for any particular purpose, nor does **onsemi** assume any liability arising out of the application or use of any product or circuit, and specifically disclaims any and all liability, including without limitation special, consequential or incidental damages. **onsemi** does not convey any license under its patent rights nor the rights of others.

**onsemi**, **Onsemi**, and other names, marks, and brands are registered and/or common law trademarks of Semiconductor Components Industries, LLC dba "**onsemi**" or its affiliates and/or subsidiaries in the United States and/or other countries. **onsemi** owns the rights to a number of patents, trademarks, copyrights, trade secrets, and other intellectual property. A listing of **onsemi**'s product/patent coverage may be accessed at [www.onsemi.com/site/pdf/Patent-Marking.pdf](http://www.onsemi.com/site/pdf/Patent-Marking.pdf). **onsemi** reserves the right to make changes at any time to any products or information herein, without notice. The information herein is provided "as-is" and **onsemi** makes no warranty, representation or guarantee regarding the accuracy of the information, product features, availability, functionality, or suitability of its products for any particular purpose, nor does **onsemi** assume any liability arising out of the application or use of any product or circuit, and specifically disclaims any and all liability, including without limitation special, consequential or incidental damages. Buyer is responsible for its products and applications using **onsemi** products, including compliance with all laws, regulations and safety requirements or standards, regardless of any support or applications information provided by **onsemi**. "Typical" parameters which may be provided in **onsemi** data sheets and/or specifications can and do vary in different applications and actual performance may vary over time. All operating parameters, including "Typicals" must be validated for each customer application by customer's technical experts. **onsemi** does not convey any license under any of its intellectual property rights nor the rights of others. **onsemi** products are not designed, intended, or authorized for use as a critical component in life support systems or any FDA Class 3 medical devices or medical devices with a same or similar classification in a foreign jurisdiction or any devices intended for implantation in the human body. Should Buyer purchase or use **onsemi** products for any such unintended or unauthorized application, Buyer shall indemnify and hold **onsemi** and its officers, employees, subsidiaries, affiliates, and distributors harmless against all claims, costs, damages, and expenses, and reasonable attorney fees arising out of, directly or indirectly, any claim of personal injury or death associated with such unintended or unauthorized use, even if such claim alleges that **onsemi** was negligent regarding the design or manufacture of the part. **onsemi** is an Equal Opportunity/Affirmative Action Employer. This literature is subject to all applicable copyright laws and is not for resale in any manner.

## ADDITIONAL INFORMATION

### TECHNICAL PUBLICATIONS:

Technical Library: [www.onsemi.com/design/resources/technical-documentation](http://www.onsemi.com/design/resources/technical-documentation)  
onsemi Website: [www.onsemi.com](http://www.onsemi.com)

### ONLINE SUPPORT: [www.onsemi.com/support](http://www.onsemi.com/support)

For additional information, please contact your local Sales Representative at [www.onsemi.com/support/sales](http://www.onsemi.com/support/sales)

## Looking for pricing, stock, or lifecycle information?

Click below to explore more details on WIN SOURCE:

- ⊖ [View NCP4306AAZZZAMNTWG on WIN SOURCE](#)
- ⊖ [ON Semiconductor Information](#)

## Optimize Your Supply Chain with WIN SOURCE Solutions

- ✓ Global Sourcing Solution
- ✓ Obsolete Management
- ✓ Cost Control Management
- ✓ Shortage Management
- ✓ Alternative Solution
- ✓ Excess Inventory Management