



**THE DATASHEET OF  
LE87282MQCT**



# Le87282

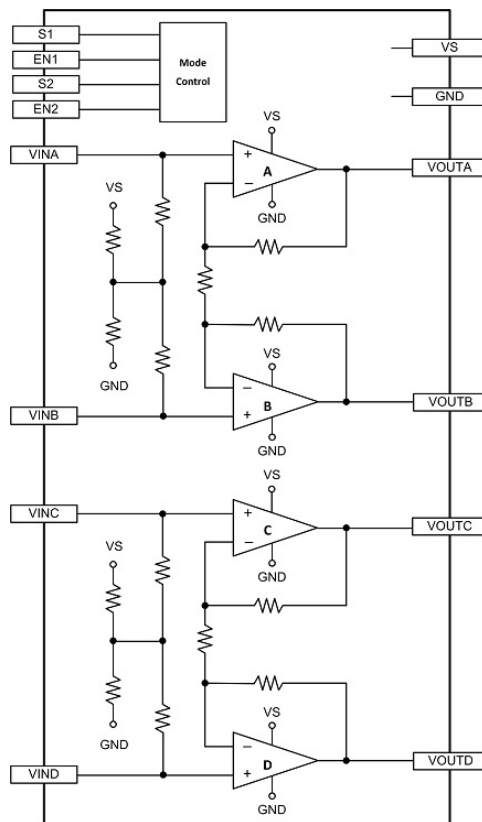
## G.Fast Dual Channel Line Driver

The Le87282 is a dual channel differential amplifier designed to drive G.Fast transmission signals as well as VDSL2 and ADSL2+ signals with very low power dissipation. The Le87282 contains two pairs of wideband amplifiers designed with Microsemi's HV15 Bipolar SOI process for low power consumption.

The line driver gain is fixed internally. The amplifiers are powered from a single supply.

The device can be programmed to one-of-three preset Bias levels or to impedance controlled Disable or Standby states. The control pins respond to input levels that can be generated with a standard tri-state GPIO.

### Simplified Block Diagram



### Features & Benefits

- Supports high frequency G.Fast transmission
- Supports VDSL2 and ADSL2+ operation
- Very low power dissipation
  - Class AB operation
- 5 programmable states
- No external gain resistors required
- Small footprint package
  - 28-pin (4 mm x 5 mm) QFN
- RoHS compliant

## Looking for pricing, stock, or lifecycle information?

Click below to explore more details on WIN SOURCE:

⊖ [View LE87282MQCT](#) on WIN SOURCE

⊖ [Microchip Technology](#) Information

## Optimize Your Supply Chain with WIN SOURCE Solutions

- ✓ Global Sourcing Solution
- ✓ Obsolete Management
- ✓ Cost Control Management
- ✓ Shortage Management
- ✓ Alternative Solution
- ✓ Excess Inventory Management