



**THE DATASHEET OF
CM-1196**



PART NAME

VERTICAL CABLEWAY RING

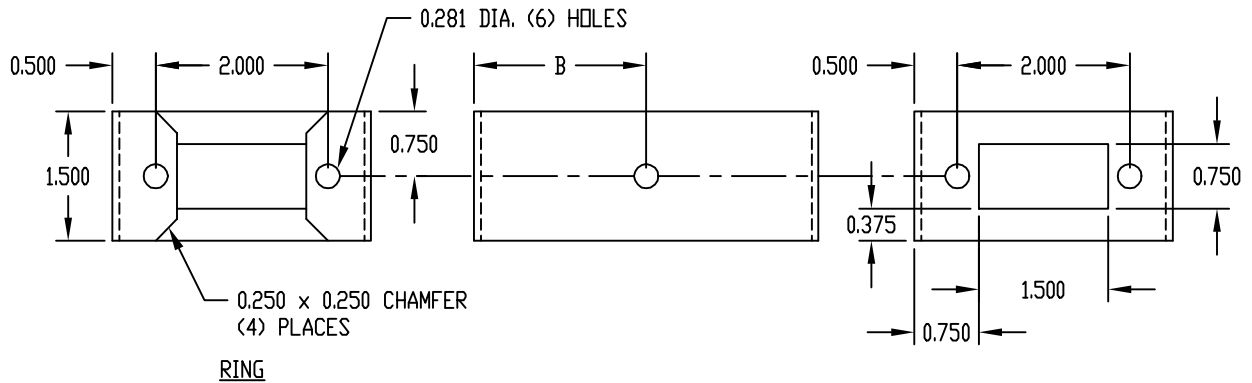
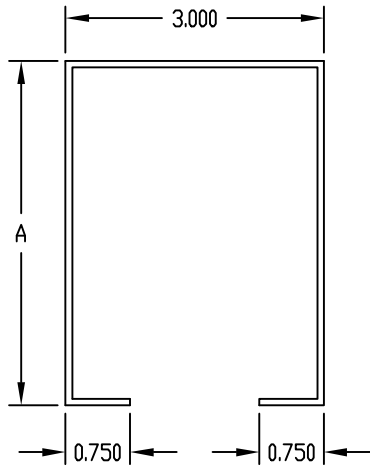
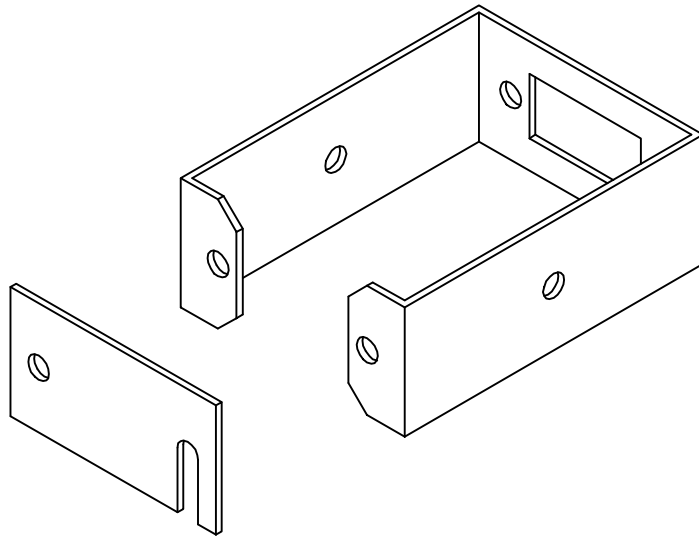
PART No.

CM-1195 & CM-1196

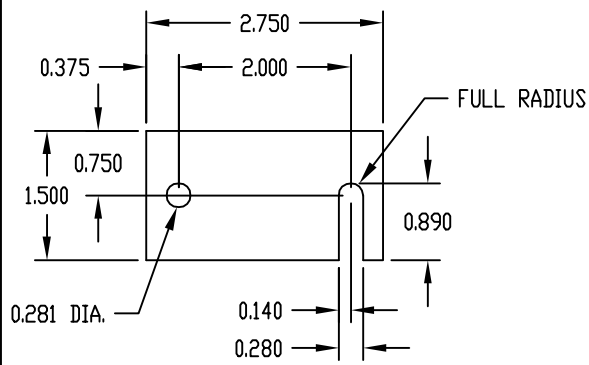
MATERIAL: 14 GA. STEEL

FINISH: SMOOTH BLACK

SUPPLIED WITH QTY. (4)
#12-24 x 1/2 LG. SCREWS
& QTY. (2) #12-24 CLIP NUTS



RING




GATE

PART No.	DIMENSION 'A'	DIMENSION 'B'
CM-1195	4.000	2.000
CM-1196	6.000	3.000

Looking for pricing, stock, or lifecycle information?

Click below to explore more details on WIN SOURCE:

 [View CM-1196](#) on WIN SOURCE

 [Bud Industries](#) Information

Optimize Your Supply Chain with WIN SOURCE Solutions

-  Global Sourcing Solution
-  Obsolete Management
-  Cost Control Management
-  Shortage Management
-  Alternative Solution
-  Excess Inventory Management