



**THE DATASHEET OF
BX2606LNL**



ADSL Line Transformer

For Broadcom ADSL CPE Chipsets



- Matched to Broadcom 6335 and 6338 chipsets with 5V line driver (BCM6301)
- Designed to meet UL1950 and EN60950 supplementary insulation requirements

Electrical Specifications @ 25°C - Operating Temperature -40°C to +85°C

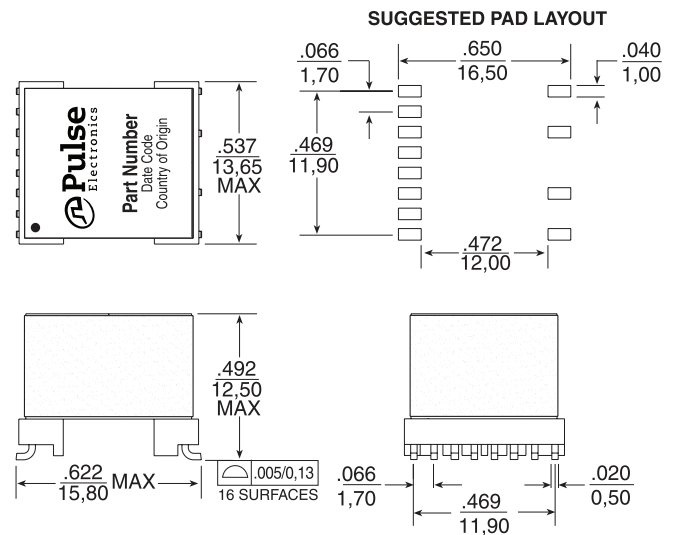
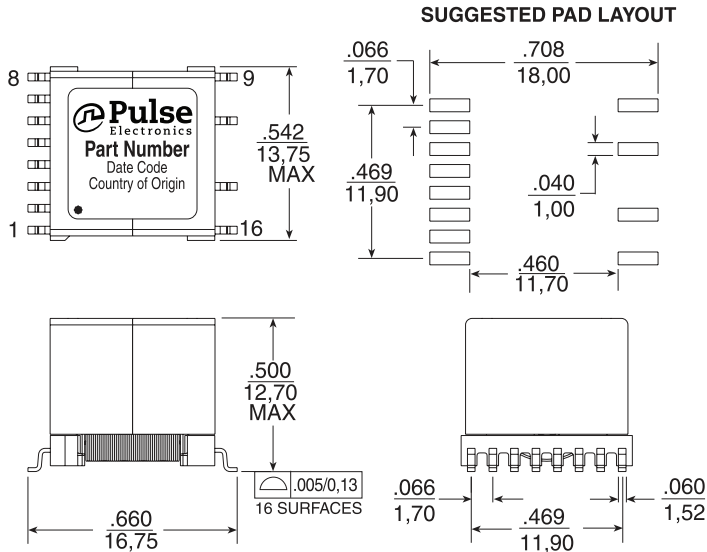
Standard Part Number	RoHS-6 Compliant Part Number	Turns Ratio (Line:TX ±5%)	Turns Ratio (Line:RX)	OCL Line (µH ±5%)	Isolation Voltage (Vrms)
BX2542W	-	4.25:1	1:1	400	1500
BX2542L	BX2542LNL	4.25:1	1:1	400	1500
BX2606W	-	4.25:1	1:1	100	1500
BX2606L	BX2606LNL	4.25:1	1:1	100	1500

Notes: Transformers are shipped in trays, unless Tape & Reel packaging is specified by adding the suffix "T" to the part number (BX2516WT)

Mechanicals

BX2542W / BX2606W

BX2542L/NL / BX2606L/NL



Weight6.2 grams
 Tape & Reel300/reel
 Tray95/tray

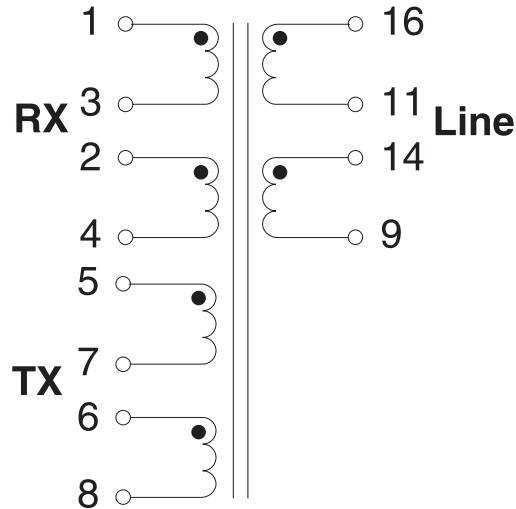
Dimensions: $\frac{\text{Inches}}{\text{mm}}$ Unless otherwise specified, all tolerances are $\pm \frac{.010}{0,25}$

ADSL Line Transformers

For Broadcom ADSL CPE Chipsets

Schematic

BX2542W / BX2542L/NL / BX2606W / BX2606 L/NL



For More Information

Pulse Worldwide Headquarters

12220 World Trade Drive
San Diego, CA
92128
U.S.A.

Tel: 858 674 8100
Fax: 858 674 8262

Pulse Europe

Einsteinstrasse 1
D-71083 Herrenberg
Germany

Tel: 49 7032 78060
Fax: 49 7032 7806 135

Pulse China Headquarters

B402, Shenzhen Academy of
Aerospace Technology Bldg.
10th Kejinan Road
High-Tech Zone
Nanshan District
Shenzhen, PR China
518057
Tel: 86 755 33966678
Fax: 86 755 33966700

Pulse North China

Room 2704/2705
Super Ocean Finance
Ctr.
2067 Yan An Road
West
Shanghai 200336
China

Tel: 86 21 62787060
Fax: 86 2162786973

Pulse South Asia

135 Joo Seng Road
#03-02
PM Industrial Bldg.
Singapore 368363

Tel: 65 6287 8998
Fax: 65 6287 8998

Pulse North Asia

3F, No. 198
Zhongyuan Road
Zhongli City
Taoyuan County 320
Taiwan R. O. C.
Tel: 886 3 4356768
Fax: 886 3 4356823 (Pulse)
Fax: 886 3 4356820 (FRE)

Performance warranty of products offered on this data sheet is limited to the parameters specified. Data is subject to change without notice. Other brand and product names mentioned herein may be trademarks or registered trademarks of their respective owners. © Copyright, 2012. Pulse Electronics, Inc. All rights reserved.

Looking for pricing, stock, or lifecycle information?

Click below to explore more details on WIN SOURCE:

 [View BX2606LNL on WIN SOURCE](#)

 [Pulse Information](#)

Optimize Your Supply Chain with WIN SOURCE Solutions

-  Global Sourcing Solution
-  Obsolete Management
-  Cost Control Management
-  Shortage Management
-  Alternative Solution
-  Excess Inventory Management