



THE DATASHEET OF NTE3000





ELECTRONICS, INC.
 44 FARRAND STREET
 BLOOMFIELD, NJ 07003
 (973) 748-5089
<http://www.nteinc.com>

NTE3000 Light Emitting Diode Water Clear, High Efficiency Red 1.6mm Ball Head

Features:

- Miniature Butterfly LED Bulb
- Water Clear Lens

Absolute Maximum Ratings: ($T_A = +25^{\circ}\text{C}$ unless otherwise specified)

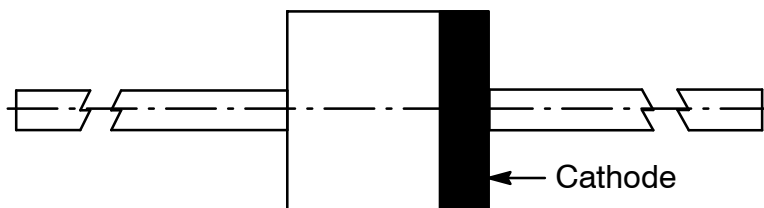
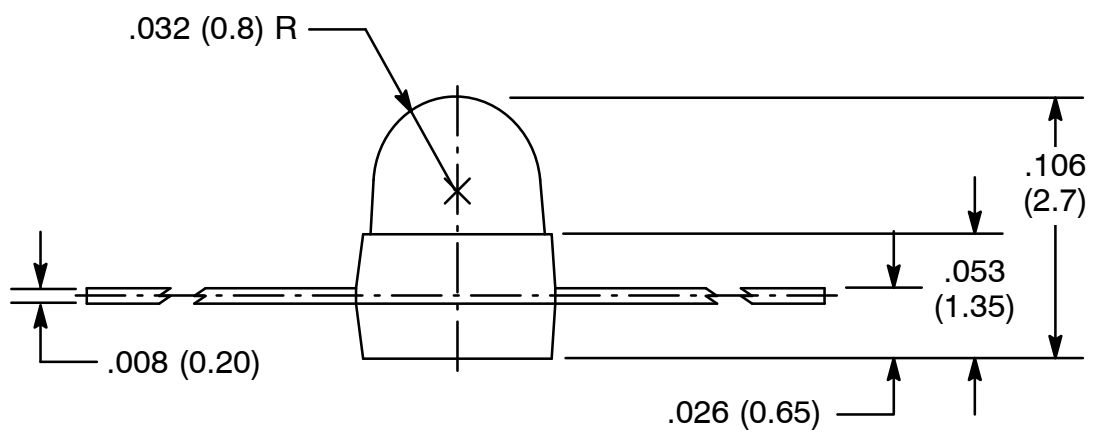
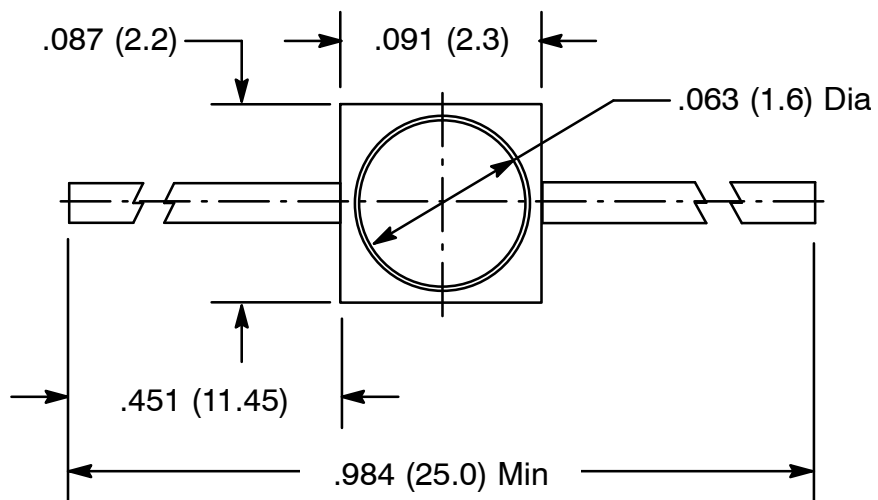
Power Dissipation, P_D	100mW
Peak Forward Current, I_{FM}	100mA
Continuous Forward Current, I_F	20mA
Derating Linear from $+30^{\circ}\text{C}$	0.8mA/ $^{\circ}\text{C}$
Reverse Voltage, V_R	5V
Operating Temperature Range, T_{opr}	-20° to $+80^{\circ}\text{C}$
Storage Temperature Range, T_{stg}	-30° to $+100^{\circ}\text{C}$
Lead Temperature (During Soldering, 1.6mm from Body, 5sec Max), T_L	$+260^{\circ}\text{C}$

Electrical Optical Characteristics: ($T_A = +25^{\circ}\text{C}$ unless otherwise specified)

Parameter	Symbol	Test Conditions	Min	Typ	Max	Unit
Luminous Intensity	I_V	$I_F = 20\text{mA}$	2600	-	3000	mcd
View Angle of Half Power	$2 \theta_{1/2}$		-	20	-	deg
Peak Emission Wavelength	λ_p		620	625	630	nm
Forward Voltage	V_F	$I_F = 20\text{mA}$	2.0	-	2.2	V


Note 1. I_{FP} Conditions: Pulse Width $\leq 100\mu\text{s}$, Duty Cycle $\leq 1\%$





Looking for pricing, stock, or lifecycle information?

Click below to explore more details on WIN SOURCE:

 [View NTE3000 on WIN SOURCE](#)

 [NTE Information](#)

Optimize Your Supply Chain with WIN SOURCE Solutions

-  Global Sourcing Solution
-  Obsolete Management
-  Cost Control Management
-  Shortage Management
-  Alternative Solution
-  Excess Inventory Management