



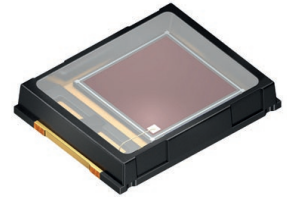
THE DATASHEET OF SFH 2240



SFH 2240

TOPLED®

Silicon Photodiode with V_λ Characteristic



Applications

- Electronic Equipment
- Health Monitoring (Heart Rate Monitoring, Pulse Oximetry)

Features:

- Package: clear silicone
- ESD: 1.5 kV acc. to ANSI/ESDA/JEDEC JS-001 (HBM)
- Spectral sensitivity adapted to human eye sensitivity (V_λ)
- Low temperature coefficient of spectral sensitivity
- High linearity
- Fast switching time

Ordering Information

| Type | Photocurrent ¹⁾ $E_v = 1000 \text{ lx; white LED; } V_R = 5 \text{ V}$ I_P | Photocurrent typ. $E_v = 1000 \text{ lx; white LED; } V_R = 5 \text{ V}$ I_P | Ordering Code |
|----------|---|---|---------------|
| SFH 2240 | $\geq 6.6 \mu\text{A}$ | $7.3 \mu\text{A}$ | Q65112A0060 |

Maximum Ratings

 $T_A = 25\text{ °C}$

| Parameter | Symbol | | Values |
|---|-----------|------|--------|
| Operating Temperature | T_{op} | min. | -40 °C |
| | | max. | 100 °C |
| Storage temperature | T_{stg} | min. | -40 °C |
| | | max. | 100 °C |
| Reverse voltage | V_R | typ. | 16 V |
| Total power dissipation | P_{tot} | max. | 150 mW |
| ESD withstand voltage acc. to ANSI/ESDA/JEDEC JS-001 (HBM) | V_{ESD} | max. | 1.5 kV |

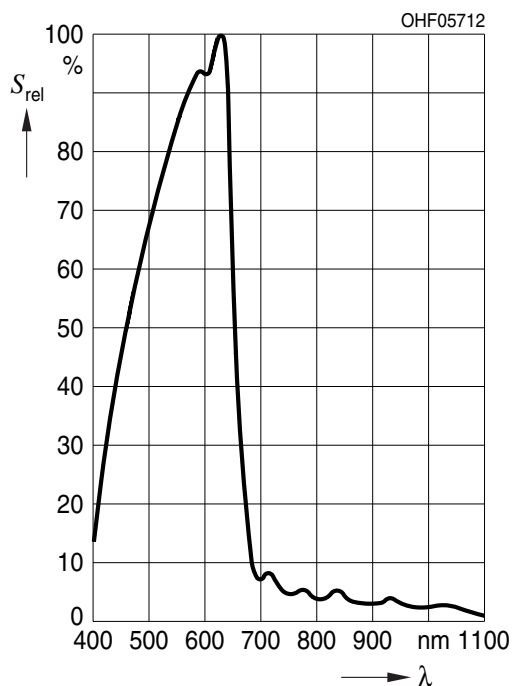
Characteristics

$T_A = 25\text{ °C}$

| Parameter | Symbol | | Values |
|--|--------------------------|--------------|--------------------------------------|
| Spectral sensitivity $E_v = 1000\text{ lx}$; white LED; $V_R = 5\text{ V}$ | S | min. typ. | 6 nA/lx 7.3 nA/lx |
| Wavelength of max sensitivity | $\lambda_{S\text{ max}}$ | typ. | 620 nm |
| Spectral range of sensitivity | $\lambda_{10\%}$ | typ. | 400 ... 690 nm |
| Radiant sensitive area | A | typ. | 7.02 mm ² |
| Dimensions of active chip area | L x W | typ. | 2.65 x 2.65 mm x mm |
| Half angle | φ | typ. | 60 ° |
| Dark current $V_R = 5\text{ V}$ | I_R | typ. max. | 1 nA 10 nA |
| Spectral sensitivity of the chip $\lambda = 550\text{ nm}$ | S_λ | typ. | 0.37 A / W |
| Quantum yield of the chip $\lambda = 550\text{ nm}$ | η | typ. | 0.83 Electrons / Photon |
| Short-circuit current $E_v = 1000\text{ lx}$; Std. Light A; $V_R = 0\text{ V}$ | I_{SC} | typ. | 7.3 μ A |
| Rise time $V_R = 5\text{ V}$; $R_L = 50\ \Omega$; $\lambda = 550\text{ nm}$ | t_r | typ. | 0.09 μ s |
| Fall time $V_R = 5\text{ V}$; $R_L = 50\ \Omega$; $\lambda = 550\text{ nm}$ | t_f | typ. | 0.09 μ s |
| Forward voltage $I_F = 100\text{ mA}$; $E = 0$; 0 | V_F | typ. | 1 V |
| Capacitance $V_R = 0\text{ V}$; $f = 1\text{ MHz}$; $E = 0$ | C_0 | typ. | 135 pF |
| Temperature coefficient of short-circuit current Std. Light A | TC_1 | typ. | 0.16 % / K |
| Noise equivalent power $V_R = 5\text{ V}$; $\lambda = 550\text{ nm}$ | NEP | typ. | 0.048 pW / Hz ^{1/2} |
| Detection limit $V_R = 5\text{ V}$; $\lambda = 550\text{ nm}$ | D^* | typ. | 5.5e12 cm x Hz ^{1/2} / W |

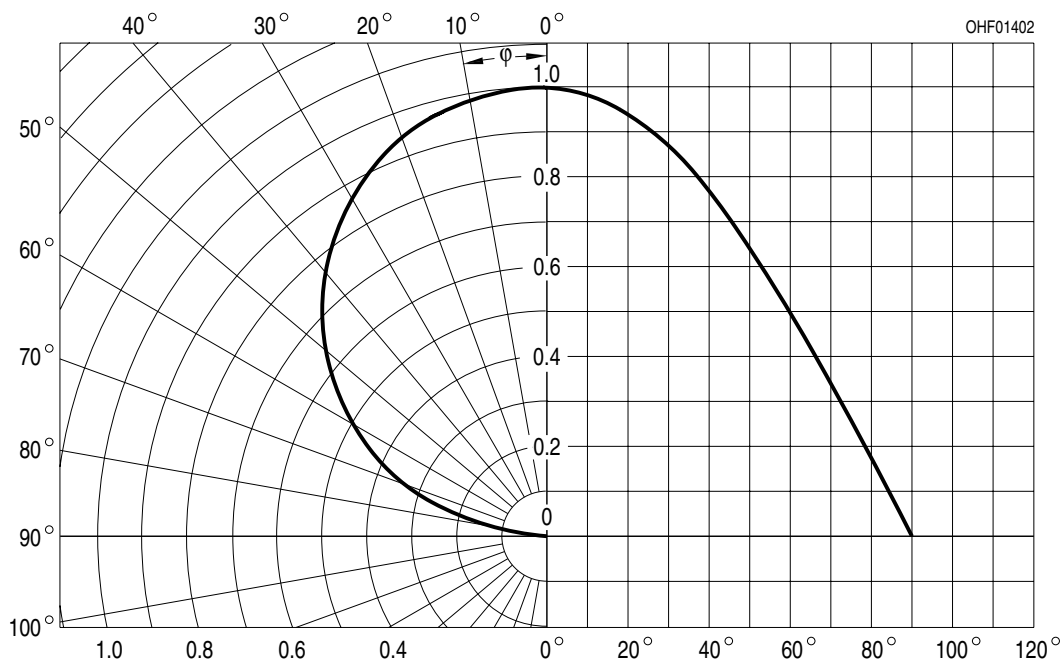
Relative Spectral Sensitivity ^{2), 3)}

$$S_{rel} = f(\lambda)$$



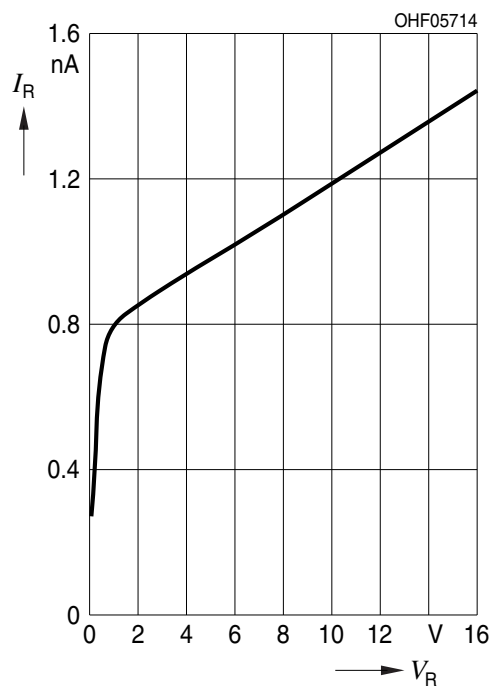
Directional Characteristics ^{2), 3)}

$$S_{rel} = f(\varphi)$$



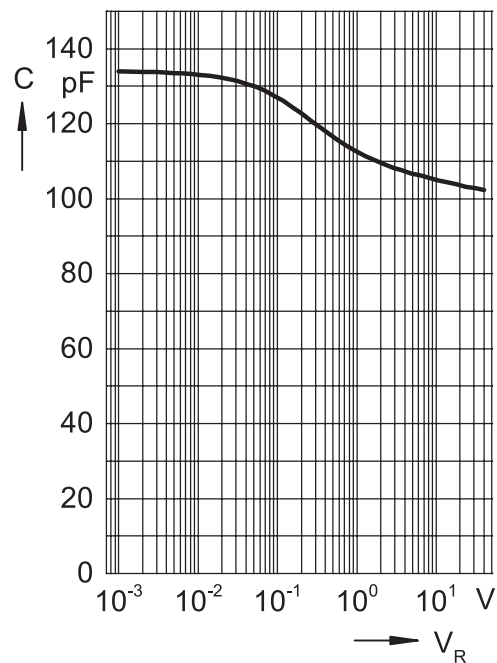
Dark Current ^{2), 3)}

$$I_R = f(V_R); E = 0$$



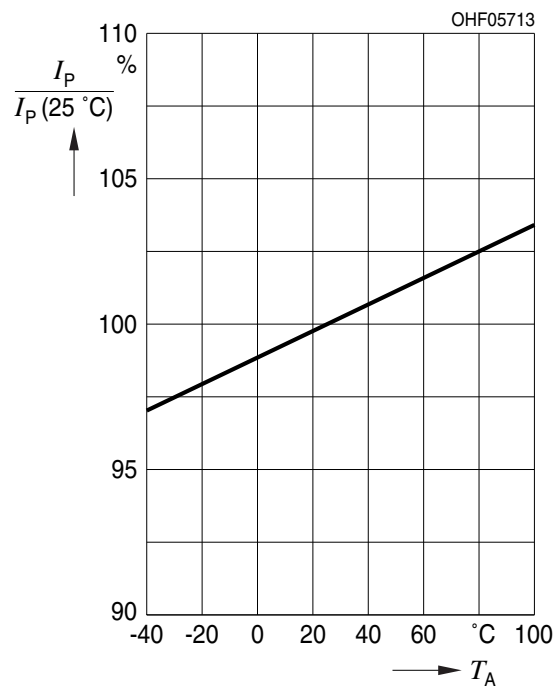
Capacitance ^{2), 3)}

$$C = f(V_R); f = 1\text{MHz}; E = 0; T_A = 25^\circ\text{C}$$



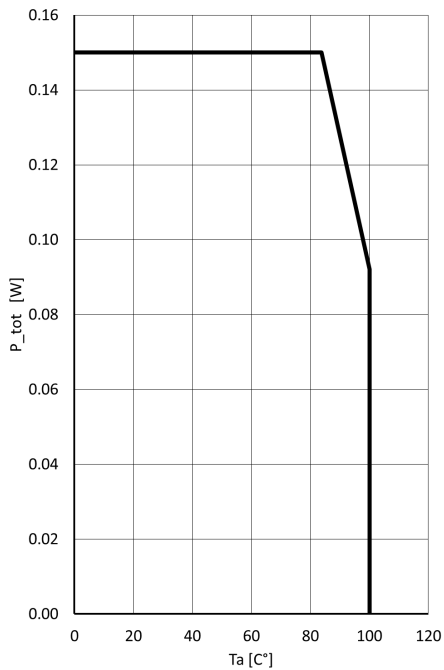
Photocurrent

$$I_{P,rel} = f(T_A); E_V = 1000 \text{ lx}; V_R = 5 \text{ V}$$

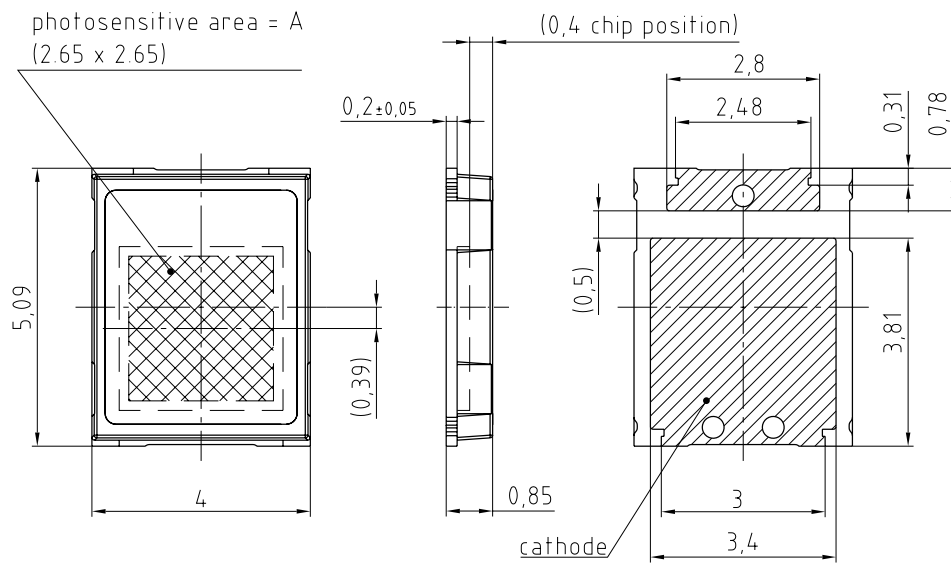


Power Consumption

$$P_{tot} = f(T_A)$$



Dimensional Drawing ⁴⁾



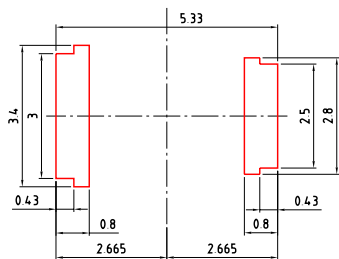
general tolerance ± 0.1
 lead finish Au 

C63062-A4306-A1-03

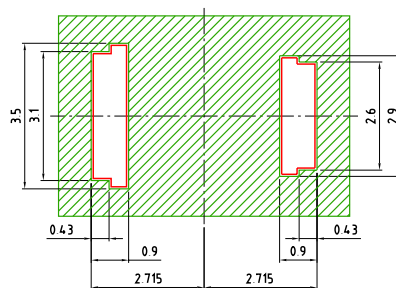
Further Information:


Approximate Weight: 46.0 mg

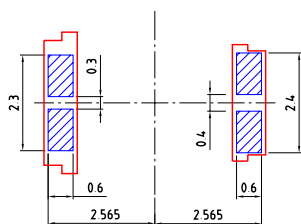
Recommended Solder Pad ⁴⁾



 footprint

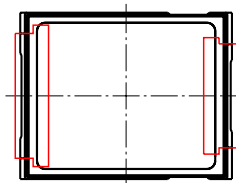


 solder resist



 solder stencil

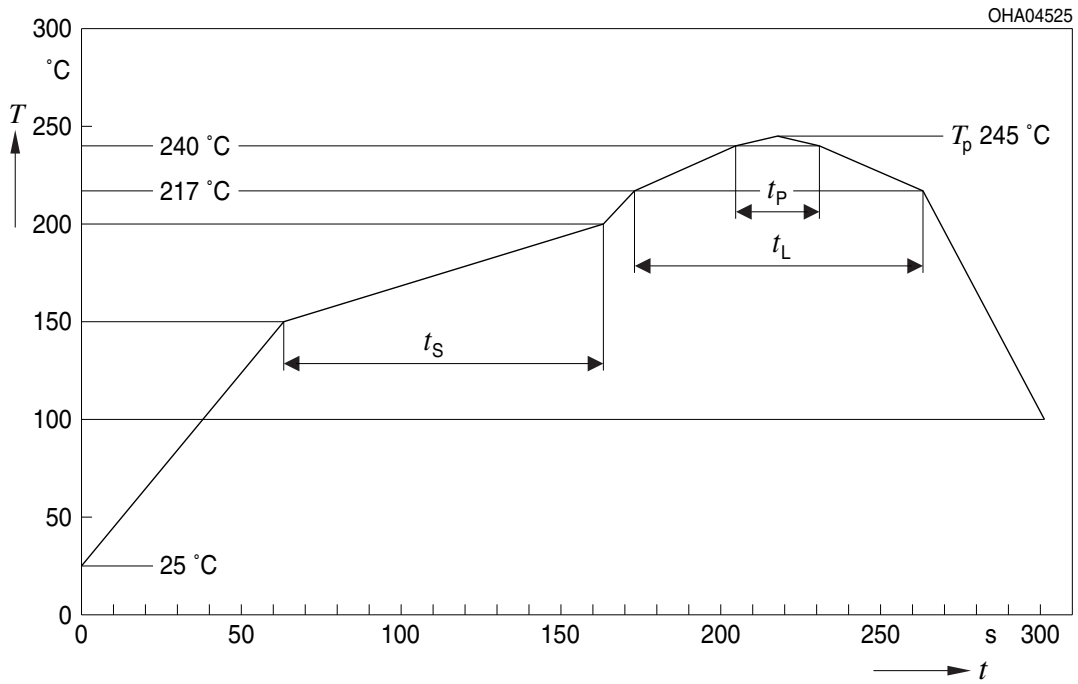
Component Location on Pad



E062.3010.210-01

Reflow Soldering Profile

Product complies to MSL Level 2 acc. to JEDEC J-STD-020E

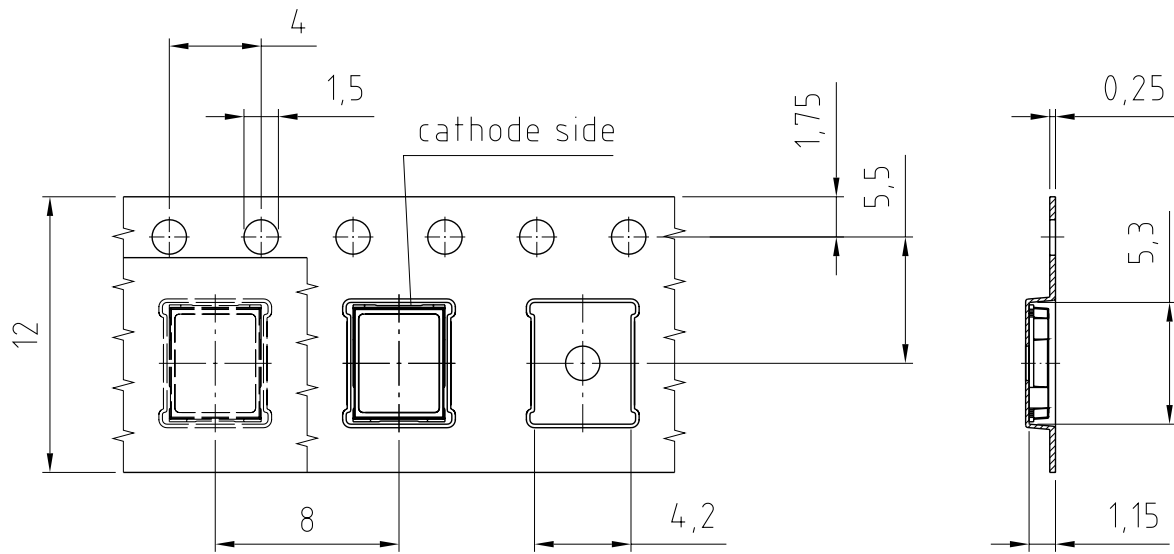


| Profile Feature | Symbol | Pb-Free (SnAgCu) Assembly | | | Unit |
|--|--------|---------------------------|----------------|---------|------|
| | | Minimum | Recommendation | Maximum | |
| Ramp-up rate to preheat ^{*)} 25 °C to 150 °C | | | 2 | 3 | K/s |
| Time t_s T_{Smin} to T_{Smax} | t_s | 60 | 100 | 120 | s |
| Ramp-up rate to peak ^{*)} T_{Smax} to T_p | | | 2 | 3 | K/s |
| Liquidus temperature | T_L | | 217 | | °C |
| Time above liquidus temperature | t_L | | 80 | 100 | s |
| Peak temperature | T_p | | 245 | 260 | °C |
| Time within 5 °C of the specified peak temperature $T_p - 5$ K | t_p | 10 | 20 | 30 | s |
| Ramp-down rate* T_p to 100 °C | | | 3 | 6 | K/s |
| Time 25 °C to T_p | | | | 480 | s |

All temperatures refer to the center of the package, measured on the top of the component

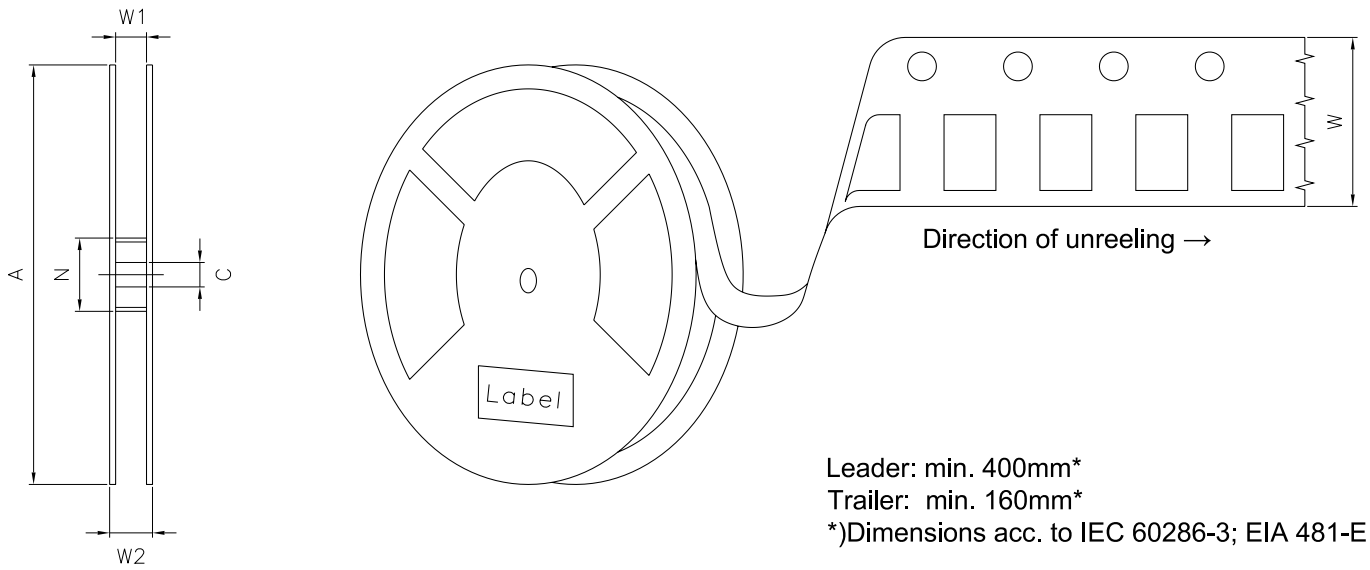
* slope calculation DT/Dt : Dt max. 5 s; fulfillment for the whole T-range

Taping ⁴⁾



C63062-A4306-B1-01

Tape and Reel ⁵⁾



Reel Dimensions

| A | W | N _{min} | W ₁ | W _{2max} | Pieces per PU |
|--------|---------------------|------------------|----------------|-------------------|---------------|
| 180 mm | 12 + 0.3 / - 0.1 mm | 60 mm | 12.4 + 2 mm | 18.4 mm | 1500 |

Barcode-Product-Label (BPL)

OSRAM Opto Semiconductors LX XXXX BIN1: XX-XX-X-XXX-X

RoHS Compliant

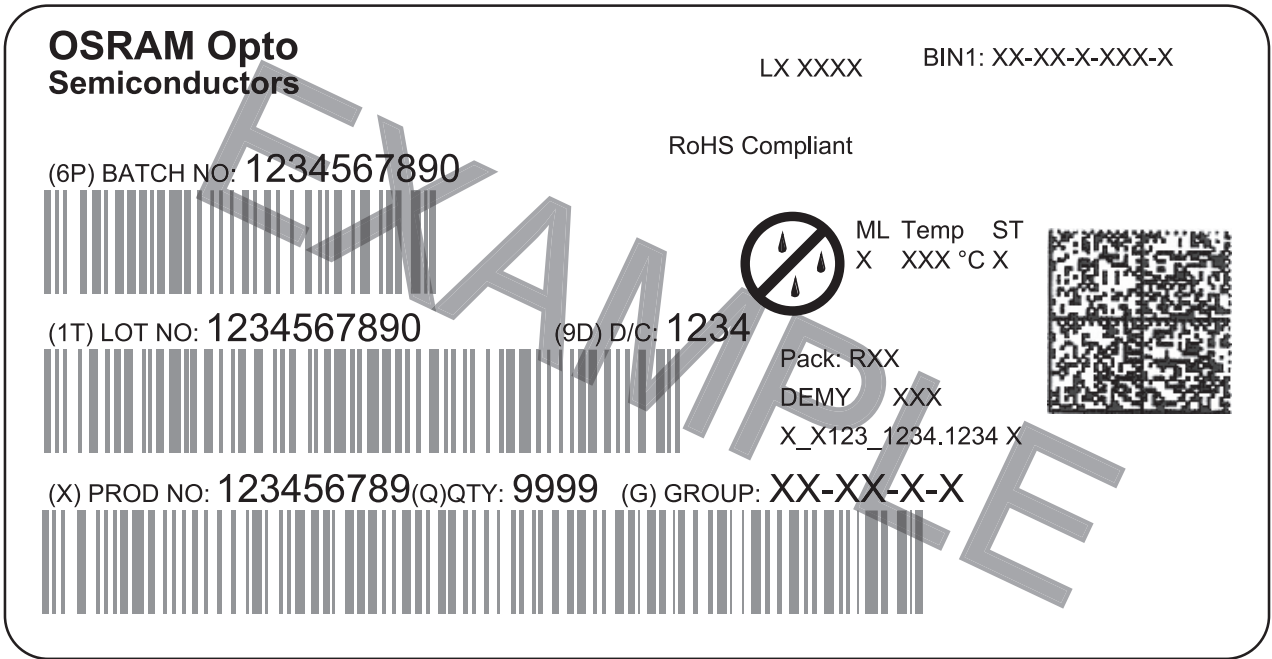
(6P) BATCH NO: 1234567890

(1T) LOT NO: 1234567890 (9D) D/C: 1234

(X) PROD NO: 123456789 (Q) QTY: 9999 (G) GROUP: XX-XX-X-X

ML Temp ST
X XXX °C X

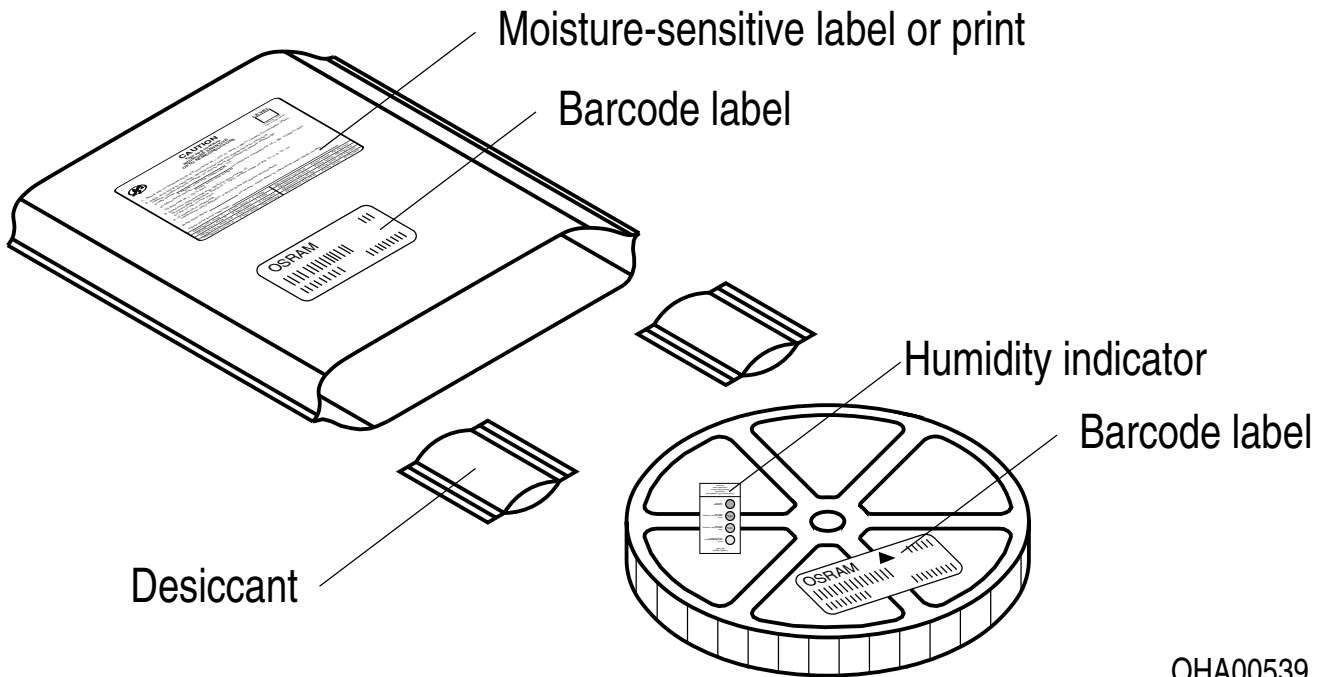
Pack: RXX
DEMY XXX
X_X123_1234.1234 X



The diagram shows a rectangular label with rounded corners. It contains the OSRAM logo and product name at the top left. To the right are fields for 'LX XXXX' and 'BIN1: XX-XX-X-XXX-X'. Below the logo is the text 'RoHS Compliant'. The label features three horizontal barcode sections. The first is labeled '(6P) BATCH NO: 1234567890'. The second is labeled '(1T) LOT NO: 1234567890' and '(9D) D/C: 1234'. The third is labeled '(X) PROD NO: 123456789 (Q) QTY: 9999 (G) GROUP: XX-XX-X-X'. To the right of the second barcode is a circular icon with a crossed-out rain cloud and the text 'ML Temp ST X XXX °C X'. Below this is a square QR code. Further down are the fields 'Pack: RXX', 'DEMY XXX', and 'X_X123_1234.1234 X'. A large 'EXAMPLE' watermark is overlaid diagonally across the label.

OHA04563

Dry Packing Process and Materials ⁴⁾



OHA00539

Moisture-sensitive product is packed in a dry bag containing desiccant and a humidity card according JEDEC-STD-033.

Notes

The evaluation of eye safety occurs according to the standard IEC 62471:2006 (photo biological safety of lamps and lamp systems). Within the risk grouping system of this IEC standard, the device specified in this data sheet fall into the class **exempt group (exposure time 10000 s)**. Under real circumstances (for exposure time, conditions of the eye pupils, observation distance), it is assumed that no endangerment to the eye exists from these devices. As a matter of principle, however, it should be mentioned that intense light sources have a high secondary exposure potential due to their blinding effect. When looking at bright light sources (e.g. headlights), temporary reduction in visual acuity and afterimages can occur, leading to irritation, annoyance, visual impairment, and even accidents, depending on the situation.

Subcomponents of this device contain, in addition to other substances, metal filled materials including silver. Metal filled materials can be affected by environments that contain traces of aggressive substances. Therefore, we recommend that customers minimize device exposure to aggressive substances during storage, production, and use. Devices that showed visible discoloration when tested using the described tests above did show no performance deviations within failure limits during the stated test duration. Respective failure limits are described in the IEC60810.

For further application related information please visit www.osram-os.com/appnotes

Disclaimer

Attention please!

The information describes the type of component and shall not be considered as assured characteristics. Terms of delivery and rights to change design reserved. Due to technical requirements components may contain dangerous substances.

For information on the types in question please contact our Sales Organization.

If printed or downloaded, please find the latest version on the OSRAM OS website.

Packing

Please use the recycling operators known to you. We can also help you – get in touch with your nearest sales office. By agreement we will take packing material back, if it is sorted. You must bear the costs of transport. For packing material that is returned to us unsorted or which we are not obliged to accept, we shall have to invoice you for any costs incurred.

Product and functional safety devices/applications or medical devices/applications

OSRAM OS components are not developed, constructed or tested for the application as safety relevant component or for the application in medical devices.

OSRAM OS products are not qualified at module and system level for such application.

In case buyer – or customer supplied by buyer – considers using OSRAM OS components in product safety devices/applications or medical devices/applications, buyer and/or customer has to inform the local sales partner of OSRAM OS immediately and OSRAM OS and buyer and /or customer will analyze and coordinate the customer-specific request between OSRAM OS and buyer and/or customer.

Glossary

- 1) **Photocurrent:** The photocurrent values are measured (by irradiating the devices with a homogenous light source and applying a voltage to the device) with a tolerance of $\pm 11\%$.
- 2) **Typical Values:** Due to the special conditions of the manufacturing processes of semiconductor devices, the typical data or calculated correlations of technical parameters can only reflect statistical figures. These do not necessarily correspond to the actual parameters of each single product, which could differ from the typical data and calculated correlations or the typical characteristic line. If requested, e.g. because of technical improvements, these typ. data will be changed without any further notice.
- 3) **Testing temperature:** $T_A = 25^\circ\text{C}$ (unless otherwise specified)
- 4) **Tolerance of Measure:** Unless otherwise noted in drawing, tolerances are specified with ± 0.1 and dimensions are specified in mm.
- 5) **Tape and Reel:** All dimensions and tolerances are specified acc. IEC 60286-3 and specified in mm.

Revision History

| Version | Date | Change |
|---------|------------|--|
| 1.3 | 2019-11-28 | Features |
| 1.4 | 2021-06-09 | Schematic Transportation Box Dimensions of Transportation Box |



Published by OSRAM Opto Semiconductors GmbH EU RoHS and China RoHS compliant product
Leibnizstraße 4, D-93055 Regensburg
www.osram-os.com © All Rights Reserved.



此产品符合欧盟 RoHS 指令的要求；
按照中国的相关法规和标准，不含有毒有害物质或元素。

Looking for pricing, stock, or lifecycle information?

Click below to explore more details on WIN SOURCE:

-  [View SFH 2240 on WIN SOURCE](#)
-  [OSRAM Opto Semiconductors Inc. Information](#)

Optimize Your Supply Chain with WIN SOURCE Solutions

-  Global Sourcing Solution
-  Obsolete Management
-  Cost Control Management
-  Shortage Management
-  Alternative Solution
-  Excess Inventory Management