

Digital Sound Processors for FPD TVs



32bit Audio DSP

BU9409FV

No.12083EAT03

●General Description

It is a digital audio sound processor used for thin TV. Digital signal processor is Rohm original DSP only for TV sound signal processing, and its cost performance is excellent. Digital inputs are two lines. Output is digital output corresponding to 2.1ch or play of sub-voice L/R signal.

●Features

■DSP Part

Data width:	32bit (Data RAM)
Quickest machine cycle:	40.7ns (512fs, fs=48kHz)
Multiplier:	32 x 24 → 56bit
Adder:	32 + 32 → 32bit
Data RAM:	256 x 32bit
Coefficient RAM:	128 x 24bit
Sampling frequency:	fs=48kHz
Master clock:	512fs (24.576MHz, fs=48kHz)

■Input output I/F

2 stereo digital signal input port : 16/20/24bit (I2S, left-align, right-align)
 2 stereo digital signal output port : 16/20/24bit (I2S, left-align, right-align), S/PDIF output

■Sound signal processing function for TV

Prescaler, DC cut HPF, channel mixer, P²Volume (Perfect Pure Volume), BASS, MIDDLE, TREBLE, pseudo stereo, surround, P²Bass, P²Treble, 7 band parametric equalizer, master volume, L/R balance, postscaler, output clipper, subwoofer output processing (P²Volume, P²Bass, P²Treble are Rohm original sound effect functions.)

●Applications

Flat Panel TVs (LCD, Plasma)

●Absolute maximum rating (Ta=25°C)

Item	Symbol	Rating	Unit
Power-supply voltage	V _{DD}	4.5	V
Allowable dissipation	P _d	700 (*1)	mW
operating temperature range	T _{opr}	-25~+85	°C
Storage temperature range	T _{stg}	-55~+125	°C

*1 7mW is decreased for 1°C when using it with Ta=25°C or more.
Operation can't be guaranteed.

●Operating condition (Ta=-25~+85°C)

Item	Symbol	Rating	Unit
Power-supply voltage	V _{DD}	3.0~3.6	V

* 1 It isn't Radiation-proof designed for the product.

●Electrical Characteristics(Digital serial)

V_{DD}=3.3V unless specified, Ta=25°C

Item		Symbol	Rating value			Unit	Terms	Adaptive terminal
			Min.	Standard	Max.			
Hysteresis Input voltage	H Level voltage	V _{IH}	2.5	-	-	V		*1,2,3
	L Level voltage	V _{IL}	-	-	0.8	V		*1,2,3
Input current		I _I	-1	-	+1	μA	V _{IN} =0~3.3V	*1
Pull-up resistor input L current		I _{IL}	-150	-100	-50	μA	V _{IN} =0V	*2
Pull-down resistor input H current		I _{IH}	35	70	105	μA	V _{IN} =3.3V	*3
Output voltage	H Level voltage	V _{OH}	2.75	-	-	V	I _O =-0.6mA	*4
	L Level voltage	V _{OL}	-	-	0.55	V	I _O =0.6mA	*4
SDA terminal Output voltage		V _{OL}	-	-	0.4	V	I _O =3mA	*5

Adaptive terminal

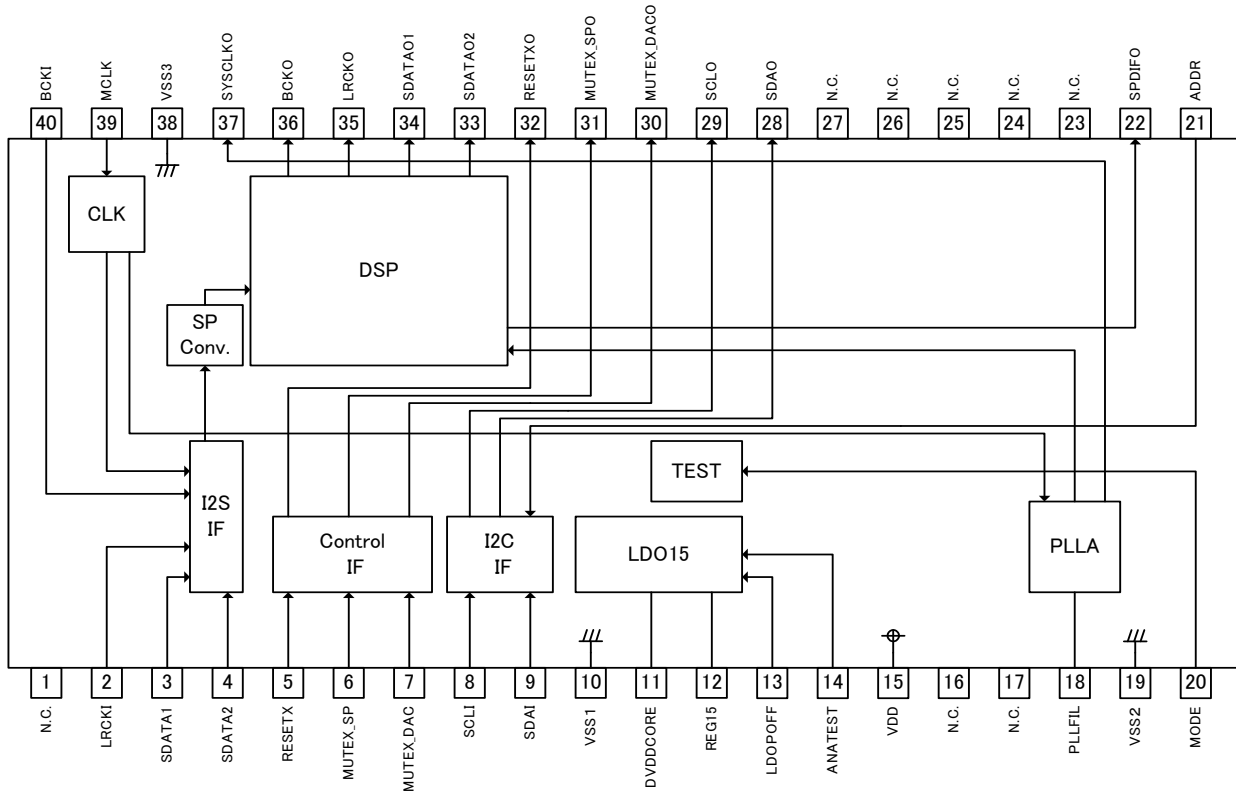
- *1 CMOS hysteresis input terminal
SCLI(8pin), SDAI(9pin), MODE(20pin)
- *2 Pull-up resistor built-in CMOS hysteresis input terminal
LRCKI(2pin), SDATA1(3pin), SDATA2(4pin), MCLK(39pin), BCKI(40pin)
- *3 Pull-down resistor built-in CMOS hysteresis input terminal
RESETX(5pin), MUTEX_SP(6pin), MUTEX_DAC(7pin), ADDR(21pin)
- *4 CMOS output terminal
SPDIFO(22pin), SDAO(28pin), SCLO(29pin), MUTEX_DACO(30pin), MUTEX_SPO(31pin),
RESETXO(32pin), DATAO2(33pin), DATAO1(34pin), LRCKO(35pin), BCKO(36pin), SYSCKO(37pin)
- *5 Open drain output terminal
SDAI(9pin)

Electric characteristic(Analogue serial)

V_{DD}=3.3V Unless specified, Ta=25°C, R_L=10kΩ, V_C standard

Item	Symbol	Rating Value			Unit	Object pin/Condition
		Min	Standard	Max		
whole						
Circuit current	I _Q	-	15	30	mA	V _{DD}
Regulator part						
Output voltage	V _{REG}	1.3	1.5	1.7	V	I _O =100mA
PLL part						
Lock frequency	F _{LK8}	-	24.576	-	MHz	256fs(fs=48kHz) input

●Block diagram



●Pin Description(s)

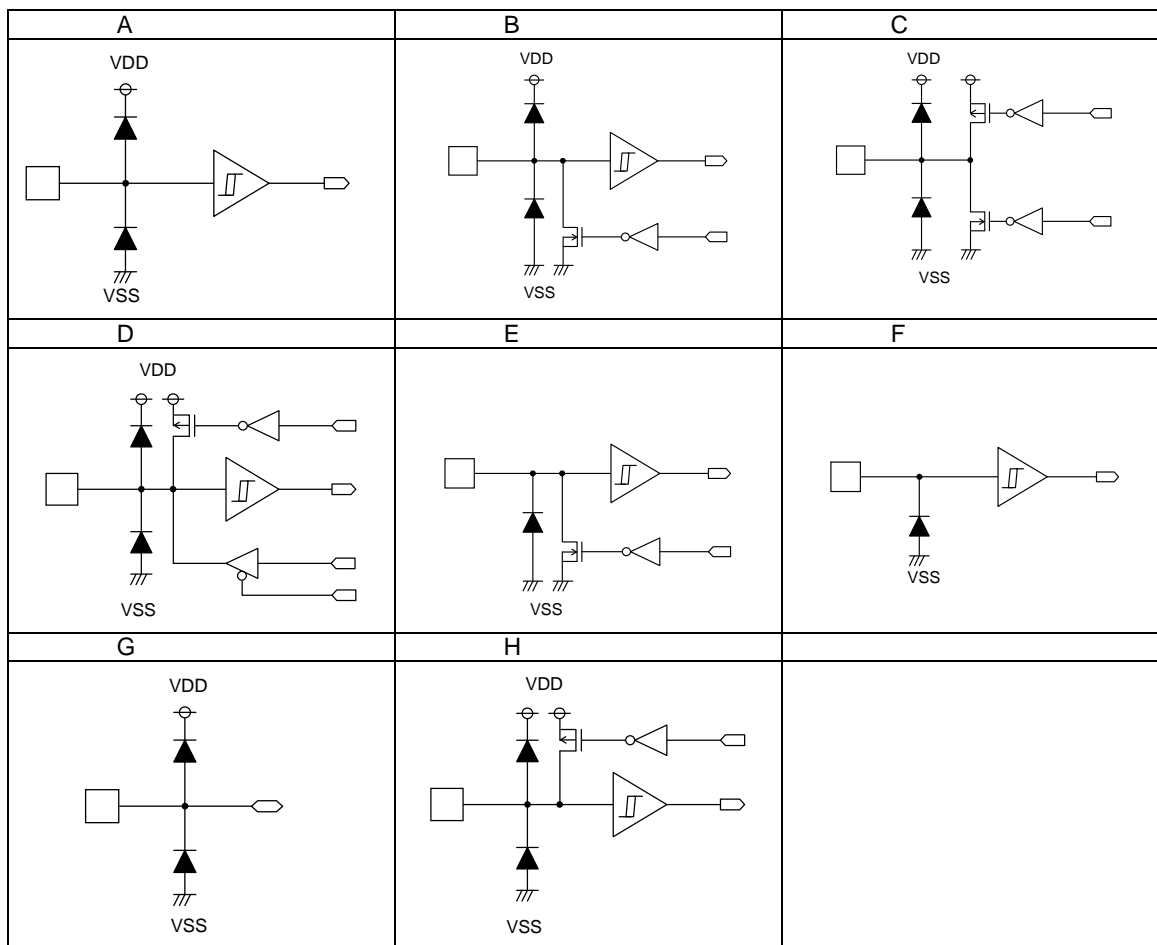
No.	Name	Description of terminals	Type	No.	Name	Description of terminals	Type
1	N.C	(*2)	-	21	ADDR	I ² C Slave address selection terminal	B
2	LRCKI	I ² S Audio LR signal input	D	22	SPDIFO	S/PDIF Signal output	C
3	SDATA1	I ² S Audio data input 1	D	23	N.C		-
4	SDATA2	I ² S Audio data input 2	D	24	N.C		-
5	RESETX	Reset status with "L"	B	25	N.C		-
6	MUTEX_SP	DAC mute signal input(*1)	B	26	N.C		-
7	MUTEX_DAC	SP mute signal input(*1)	B	27	N.C		-
8	SCLI	I ² C Forwarding clock input	F	28	SDAO	2 line serial data output (*1)	C
9	SDAI	I ² C Data input output	E	29	SCLO	2 line serial clock output (*1)	C
10	VSS1	Digital I/O GND	-	30	MUTEX_DACO	DAC mute signal output(*1)	C
11	DVDDCORE	Connect to REG15 terminal	-	31	MUTEX_SPO	SP mute signal output(*1)	C
12	REG15	Built-in regulator voltage output	G	32	RESETXO	Reset signal output(*1)	C
13	LDOPOFF	Built-in regulator POFF signal input	G	33	SDATAO2	I ² S Audio data output 2	C
14	ANATEST	Analog test monitor terminal	G	34	SDATAO1	I ² S Audio data output 1	C
15	VDD	Digital I/O power supply	-	35	LRCKO	I ² S Audio LR signal output 1	C
16	N.C		-	36	BCKO	I ² S Audio clock output 1	C
17	N.C		-	37	SYSCCLKO	System clock output (*1)	C
18	PLLFIL	Filter connection terminal for PLL	G	38	VSS3	Digital I/O GND	-
19	VSS2	Digital I/O GND	-	39	MCLK	Master clock input	H
20	MODE	Test mode selection input	A	40	BCKI	I ² S Audio clock input	D

N.C. : Non Connection

(*1) : signal terminal is used with D class amplifier IC (BD5446EFV etc.) for input I2S made by Rohm.

(*2) : It connects with the lead frame of a package. Please use by OPEN or GND connection.

●Terminal equal circuit figure



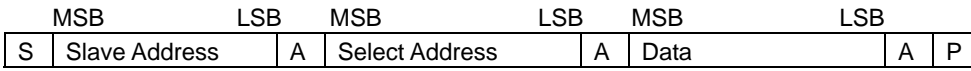
1.Command interface

I²C bus method is used in command interface with host CPU on BU9409FV.

In BU9409FV, not only writing but read-out is possible except for some registers.

Besides the slave address in BU9409FV, one byte select address can be Specified, written and readout.

The format of I²C bus slave mode is shown below.



S: Start condition

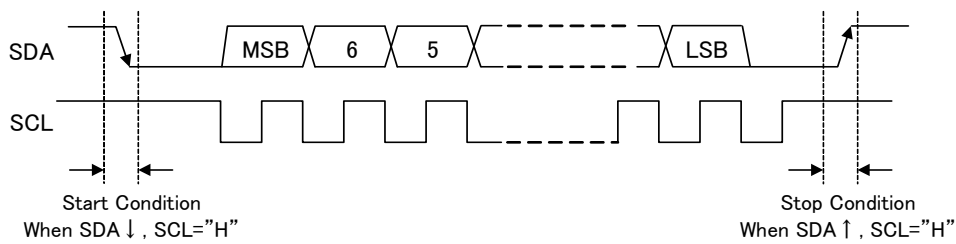
Slave Address: Putting up the bit of read mode ("H") or write mode ("L") after slave address (7bit) set with ADDR, the data of eight bits in total will be sent. (MSB first)

A: The acknowledge bit in each byte adds into the data when acknowledge is sent and received.
 When data is correctly sent and received, "L" will be sent and received.
 There was no acknowledge for "H".

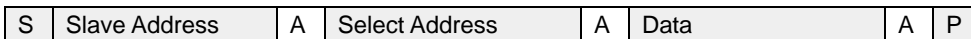
Select Address: 1 byte select address is used in BU9409FV. (MSB first)

Data: Data-byte, data(MSB first) sent and received

P: Stop Condition



1-1. Data writing



□ : From master to slave □ : From slave to master

ADDR=0

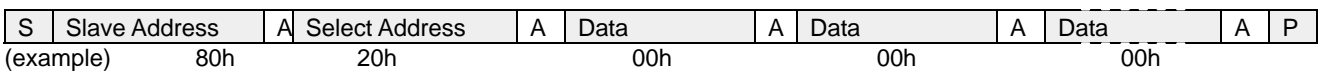
MSB							LSB
A6	A5	A4	A3	A2	A1	A0	R/W
1	0	0	0	0	0	0	0

Setting of BU9409FV slave address

Terminal setting	Write-mode Slave-address
ADDR	
0	80h
1	82h

ADDR=1

MSB							LSB
A6	A5	A4	A3	A2	A1	A0	R/W
1	0	0	0	0	0	1	0



□ : From master to slave □ : From slave to master

Writing procedure

Step	Clock	Master	Slave(BU9409FV)	Note
1		Start Condition		
2	7	Slave Address		&h80 (&h82)
3	1	R/W (0)		
4	1		Acknowledge	
5	8	Select Address		Writing object register 8 bit
6	1		Acknowledge	
7	8	Data		Writing data 8 bit
8	1		Acknowledge	
9		Stop Condition		

- The select address add +1 by auto increment function when the data is transferred continuously.

Repeat of Step 7~8.

1-2. Data readout

First of all, the readout target address(ex.&h20h) is written in &hD0 address register at the time of readout.

In the following stream, data is read out after the slave address. Please do not return the acknowledge when ending the reception.

S	Slave Address	A	Req_Addr	A	Select Address	A	P
(example)	80h		D0h		20h		

S	Slave Address	A	Data 1	A	Data 2	A	-----	A	Data N	Ā	P
(example)	81h		**h		**h				**h		

□ : Master to slave, □ : Slave to master, A : With acknowledge, Ā : without acknowledge

Readout Procedure

Step	Clock	Master	Slave(BU9409FV)	Note
1		Start Condition		
2	7	Slave Address		&h80 (&h82)
3	1	R/W (0)		
4	1		Acknowledge	
5	8	Req_Addr		Address for I ² C readout &hD0
6	1		Acknowledge	
7	8	Select Address		Readout object register 8 bit
8	1		Acknowledge	
9	1	Stop Condition		
10	1	Start Condition		
11	7	Slave Address		&h81 (&h82)
12	1	R/W (1)		
13	1		Acknowledge	
14	8		Data	Readout data 8 bit
15	1	Acknowledge		
16		Stop Condition		

o The select address adds +1 by auto increment function when continuous data is transferred.

Repeat Step14~15.

1-3. Control signal specification

- o Bus line, I/O stage electrical specification and timing.

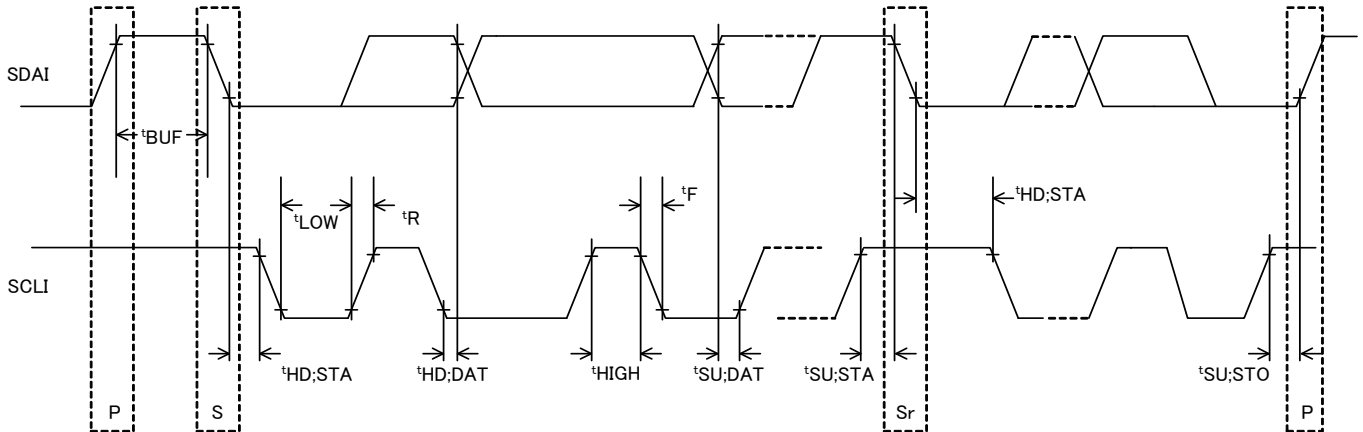


Fig.1-1: Timing chart

Table 1-1: SDAI and SCLI bus-line characteristic (Unless specified, Ta=25 , Vcc=3.3V)

Parameter	Code	High-speed mode		Unit
		Min.	Max.	
1 SCLI clock frequency	fSCL	0	400	kHz
2 Bus-free-time between "Stop" condition and "Start" condition	t'BUF	1.3	—	μs
3 "Start" condition of hold-time (resending). After this period, the first clock-pulse is generated.	t'HD;STA	0.6	—	μs
4 LOW status hold-time of SCLI clock	t'LOW	1.3	—	μs
5 HIGH status hold-time of SCLI clock	t'HIGH	0.6	—	μs
6 Setup time of resending "Start" condition	t'SU;STA	0.6	—	μs
7 Data-hold-time	t'HD;DAT	0 ¹⁾	—	μs
8 Data-setup time	t'SU;DAT	500/250/150	—	ns
9 Rising time of SDAI and SCL signal	t'R	20+Cb	300	ns
10 Fall time of SDAI and SCL signal	t'F	20+Cb	300	ns
11 Setup time of "Stop" condition	t'SU;STO	0.6	—	μs
12 Capacitive load of each bus-line	Cb	—	400	pF

The above-mentioned numerical values are all the values corresponding to V_{IH min} and V_{IL max} level.

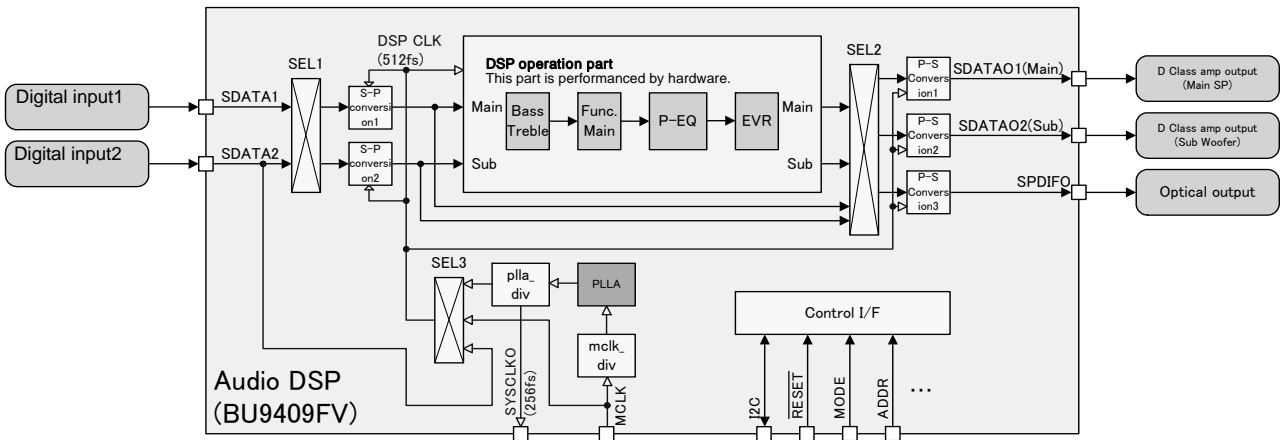
- 1) To exceed an undefined area on falling edged of SCLI, transmission device should internally offer the hold-time of 300ns or more for SDAI signal(V_{IH min} of SCLI signal).
- 2) Data-setup time changes with setup of MCLK. In MCLK=512fs, data setup time is 150ns. In MCLK=256fs, data setup time is 250ns. In MCLK=128fs, data setup time is 500ns.

The above-mentioned characteristic is a theory value in IC design and it doesn't be guaranteed by shipment inspection. When problem occurs by any chance, we talk in good faith and correspond.

Neither terminal SCLI nor terminal SDAI correspond to 5V tolerant. Please use it within absolute maximum rating 4.5V.

2.Switching of data and clock

I/O system chart of BU9409FV audio data is shown below.



BU9409FV has 2 digital stereo input and 3 digital stereo output with the same sampling rate. Output from DSP operation part is converted into I²S mode digital output or S/PDIF mode digital serial output. System clock uses master clock input from MCLK terminal, makes 512fs multiplying clock in PLL block. Moreover, 256fs synchronous clock can be output from terminal SYSCLKO, and the clock is supplied to external DAC or D class SP amplifier.

SPDIFO and output data selection of SDATAO1 and SDATAO2 should unify the DSP processing after (post) or processing before (pre) with all outputs.

2-1. S-P conversion1 input data selection(SEL1)

Default = 0

Select Address	Value	Operating Description
&h03 [0]	0	Input data from SDATA1
	1	Input data from SDATA2

2-2. S-P conversion2 input data selection(SEL1)

Default = 0

Select Address	Value	Operating Description
&h03 [4]	0	Input data from SDATA1
	1	Input data from SDATA2

2-3. Output data selection(SEL2) to P-S conversion1 (SDATAO1 Terminal)

Default = 0

Select Address	Value	Operating Description
&h04 [1 : 0]	0	Main data output after DSP is processed.
	1	Sub data output after DSP is processed.
	2	Main data output before DSP is processed.
	3	Sub data output before DSP is processed.

2-4. Output data selection(SEL2) to P-S conversion2 (SDATAO2 Terminal)

Default = 0

Select Address	Value	Operating Description
&h04 [5 : 4]	0	Sub data output after DSP is processed.
	1	Main data output after DSP is processed.
	2	Sub data output before DSP is processed.
	3	Main data output before DSP is processed.

2-5. SPDIFO Terminal output data selection (SEL2)

Default = 0

Select Address	Value	Operating Description
&h05 [1 : 0]	0	Main data output after DSP is processed.
	1	Sub data output after DSP is processed.
	2	Main data output before DSP is processed.
	3	Sub data output before DSP is processed.

2-6. System clock selection (SEL3)

Select the DSP clock supplied to S-P conversion1, S-P conversion2, DSP, P-S conversion1, P-S conversion2, S/PDIF output part.

Default = 0

Select Address	Value	Operating Description
&h08 [5 : 4]	0	Chose the input from a MCLK terminal as a clock.
	1	Chose the PLL output as a clock.
	2	Chose the input from a SDATA2terminal as a clock. (used for IC test).
	3	

After power on or reset released, system block selection uses clock(even if not 512fs is ok) input from terminal MCLK to receive I2C command and initialize BU9409. Then set the dividing frequency ratio of PLL block (mclk_div, pll_div) that is suitable for the clock frequency from terminal MCLK , when PLL_512fs clock from PLL is steady, set &h08 = 10h.

2-7. Dividing frequency ratio setting of PLL block which corresponding to input clock from terminal MCLK

Sampling rate of input clock	Setting of mclk_div &hF3	Setting of pll_div &hF5	PLL initialization &hF6
512fs (24.576MHz、fs=48kHz)	10h	01h	23h
256fs (12.288MHz、fs=48kHz)	08h	01h	23h
128fs (6.144MHz、fs=48kHz)	04h	01h	23h

3. S-P Conversion 1, S-P Conversion 2

BU9409FV has two serial-parallel conversion circuits. (S-P conversion 1, S-P conversion 2)

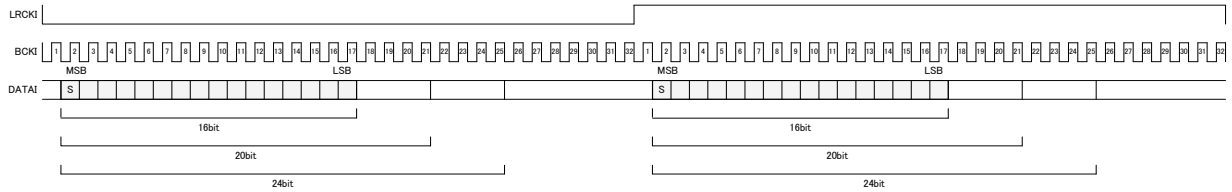
S-P conversion 1 & 2 receives the audio data of three-wire serial input from terminal and converts it into parallel data.

They select the inputs from LRCKI (2pin), BCKI (40pin), SDATA1 (3pin), and SDATA2(4pin).

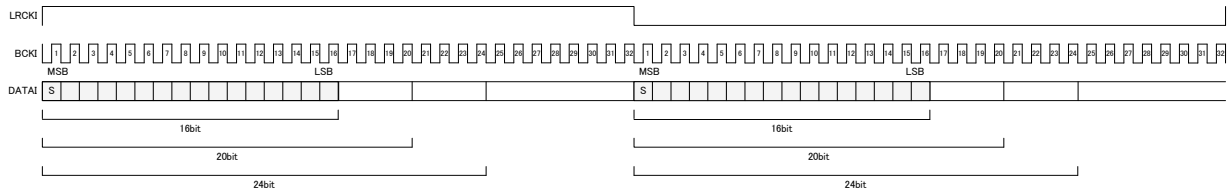
Input format has IIS method, left-justified method and right-justified method. Moreover, for bit clock frequency, 64fs or 48fs can be selected, and when 48fs is selected, the input format becomes the fixed right-justification. In addition, 16bit, 20bit and 24bit inputs can be selected respectively.

Timing chart of each transmission method is shown in the diagram below.

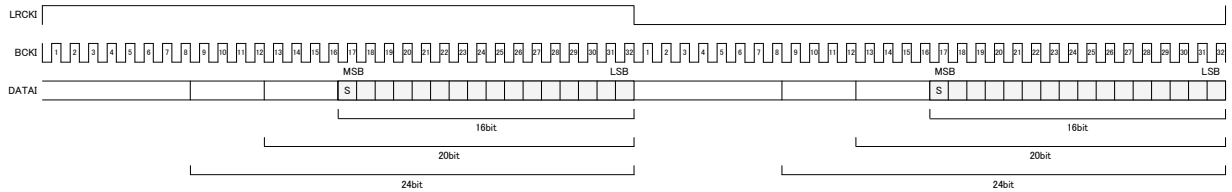
IIS method



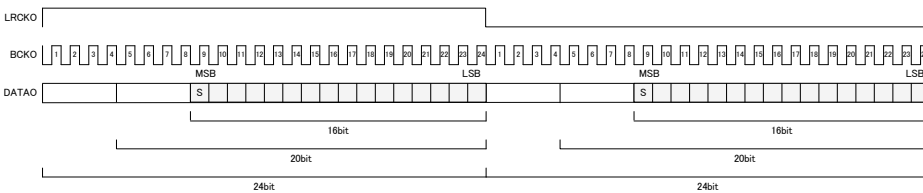
Left-justified method



Right-justified method



48fs



3-1. Three-wire serial input's bit clock frequency setting

Default = 0

Select Address	Value	Operational explanation
S-P conversion1, S-Pconversion2 &h0B [4]	0	64fs method
	1	48fs method

3-2. Three-wire serial input's format setting

Default = 0

Select Address	Value	Operational explanation
S-P conversion1 &h0B [3 : 2]	0	IIS method
S-P conversion2 &h0C [3 : 2]	1	left-justified method
	2	right-justified method

3-3. Three-wire serial input's data bit width setting

Default = 0

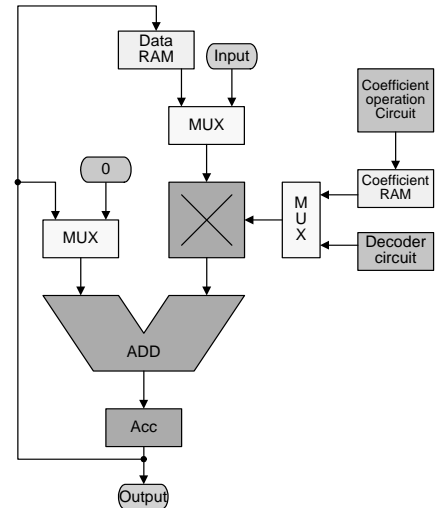
Select Address	Value	Operational explanation
S-P conversion1 &h0B [1 : 0]	0	16 bit
S-P conversion2 &h0C [1 : 0]	1	20 bit
	2	24 bit

4. Digital sound processing (DSP)

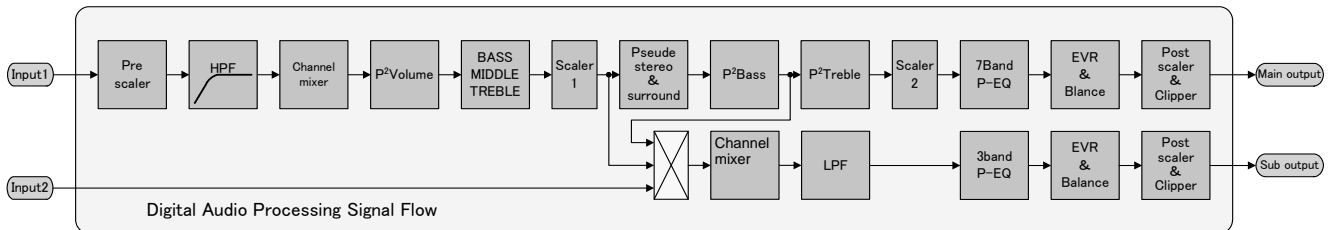
BU9409FV's Digital Sound Processing (DSP) consists of special hardware most suitable to Thin TV. BU9409FV uses this special DSP to perform the following processing. Prescaler, DC Cut HPF, Channel Mixer, P²Volume (Perfect Pure Volume), BASS, MIDDLE, TREBLE, Pseudo Stereo, Surround, P²Bass, P²Treble, 7 Band Parametric Equalizer, Master Volume, L/R Balance, PostScaler, Output Clipper, Sub-woofer output Processing.

DSP Outline and Signal Flow

- Data width : 32 bit (DATA RAM)
- Machine cycle : 40.7ns (512fs, fs=48kHz)
- Multiplier : 32x24 → 56 bit
- Adder : 32+32 → 32 bit
- Data RAM : 256x32 bit
- Coefficient RAM : 128x24 bit
- Sampling frequency : fs=48kHz
- Master clock : 512fs (24.576MHz, fs=48kHz)



Digital signal from 16bit to 24bit is inputted to DSP, and it is extended by +8bit (+42dB) as overflow margin on the upper side. The clip process is performed in DSP when the process exceeding this range is performed.



4-1. Prescaler

When digital signal is inputted to audio DSP, if the level is full scale input and the process of surround or equalizer is performed, then it overflows, therefore the input gain is adjusted by prescaler. Adjustable range is +24dB to -103dB and can be set by the step of 0.5dB. Prescaler does not incorporate the smooth transition function.

Default = 30h

Select Address	Operational explanation																				
&h20 [7 : 0]	<table border="1"> <thead> <tr> <th>command</th> <th>gain</th> </tr> </thead> <tbody> <tr> <td>00</td> <td>+24dB</td> </tr> <tr> <td>01</td> <td>+23.5dB</td> </tr> <tr> <td>⋮</td> <td>⋮</td> </tr> <tr> <td>30</td> <td>0dB</td> </tr> <tr> <td>31</td> <td>-0.5dB</td> </tr> <tr> <td>32</td> <td>-1dB</td> </tr> <tr> <td>⋮</td> <td>⋮</td> </tr> <tr> <td>FE</td> <td>-103dB</td> </tr> <tr> <td>FF</td> <td>-∞</td> </tr> </tbody> </table>	command	gain	00	+24dB	01	+23.5dB	⋮	⋮	30	0dB	31	-0.5dB	32	-1dB	⋮	⋮	FE	-103dB	FF	-∞
command	gain																				
00	+24dB																				
01	+23.5dB																				
⋮	⋮																				
30	0dB																				
31	-0.5dB																				
32	-1dB																				
⋮	⋮																				
FE	-103dB																				
FF	-∞																				

4-2. DC Cut HPF

The DC offset component of digital signal inputted to the audio DSP is cut by this HPF.
The cutoff frequency f_c of HPF is 1Hz, and first-order filter is used.

Default = 0

Select Address	Value	Operational explanation
&h21 [0]	0	Not using the DC Cut HPF
	1	Using the DC Cut HPF

4-3. Channel mixer

It performs the setting of mixing the sounds of left channel & right channel of digital signal inputted to the audio DSP.
Here the stereo signal is made to be monaural.

The data inputted to Lch of DSP is mixed.

Default = 0

Select Address	Value	Operational explanation
&h22 [7 : 6]	0	Inputting the Lch data
	1	Inputting the data of $(Lch + Rch) / 2$
	2	Inputting the data of $(Lch + Rch) / 2$
	3	Inputting the Rch data

The data inputted to Rch of DSP is mixed.

Default = 0

Select Address	Value	Operational explanation
&h22 [5 : 4]	0	Inputting the Rch data
	1	Inputting the data of $(Lch + Rch) / 2$
	2	Inputting the data of $(Lch + Rch) / 2$
	3	Inputting the Lch data

4-4. P²Volume (Perfect Pure Volume)

There are some scenes in which sound suddenly becomes large like plosive sound in TV Commercial or Movie.

P²Volume function automatically controls the volume and adjusts the output level.

In addition, it also adjusts in such a way that a whispery sound can be heard easily.

P²Volume function operates in the fields of (1), (2) & (3) divided according to input level.

(1) at the time of $V_{I\ inf(-\infty)} \sim V_{I\ min}$

Noise is prevented from being lifted by P²Volume function.

(2) When input level is over $V_{I\ min}$ and output is below $V_{O\ max}$

$$V_O = V_I + \alpha$$

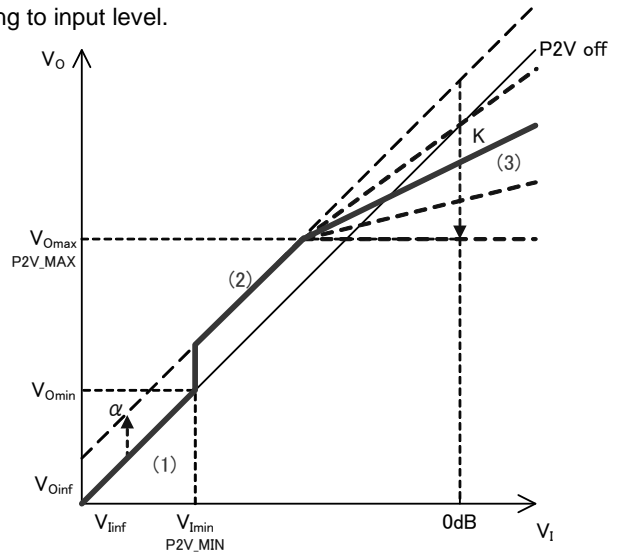
α : Lifting the Whole output level by the offset value α

(3) When output level V_O exceeds $V_{O\ max}$

$$V_O = K \cdot V_I + \alpha$$

K : Slope for suppressing of D range (P2V_K)

It is also possible to set an output level constant.



Selection of using the P²Volume function.

Default = 0

Select Address	Value	Operational explanation
&h33 [7]	0	Not using the P ² Volume function
	1	Using the P ² Volume function

Setting of $V_{I\ min}$

In order to cancel that noise etc. is lifted by P²Volume, the P2V_MIN sets the minimum level at which (to the minimum) the P²Volume functions.

command

Default = 00h

Select Address	Operational explanation							
&h34 [4:0]	command	gain	command	gain	command	gain	コマンド値	ゲイン
	00	-∞	08	-44dB	10	-60dB	18	-76dB
	01	-30dB	09	-46dB	11	-62dB	19	-78dB
	02	-32dB	0A	-48dB	12	-64dB	1A	-80dB
	03	-34dB	0B	-50dB	13	-66dB	1B	-82dB
	04	-36dB	0C	-52dB	14	-68dB	1C	-84dB
	05	-38dB	0D	-54dB	15	-70dB	1D	-86dB
	06	-40dB	0E	-56dB	16	-72dB	1E	-88dB
07	-42dB	0F	-58dB	17	-74dB	1F	-90dB	

Setting of $V_{O\ max}$

P2V_MAX sets the output suppression level. It represents the output level $V_{O\ max}$ at the time of input level $V_I = 0dB$ in the case of setting of P2V_K = "0h" (slope is 0) .

Default = 00h

Select Address	Operational explanation							
&h35 [4:0]	command	gain	command	gain	command	gain	command	gain
	00	0dB	08	-8dB	10	-16dB	18	-24dB
	01	-1dB	09	-9dB	11	-17dB	19	-25dB
	02	-2dB	0A	-10dB	12	-18dB	1A	-26dB
	03	-3dB	0B	-11dB	13	-19dB	1B	-27dB
	04	-4dB	0C	-12dB	14	-20dB	1C	-28dB
	05	-5dB	0D	-13dB	15	-21dB	1D	-29dB
	06	-6dB	0E	-14dB	16	-22dB	1E	-30dB
07	-7dB	0F	-15dB	17	-23dB	1F	-	

Setting of K

P2V_K sets the slop of D range. It sets the P2V_MAX = "1Eh" (-30dB) and represents the output level V_{Omax} at the time of input level $V_I = 0dB$.

Default = 00h

Select Address	Operational explanation																																				
&h36 [3:0]	<table border="1"> <thead> <tr> <th>command</th> <th>gain</th> <th>comman</th> <th>gain</th> </tr> </thead> <tbody> <tr><td>0</td><td>-30dB</td><td>8</td><td>-14dB</td></tr> <tr><td>1</td><td>-28dB</td><td>9</td><td>-12dB</td></tr> <tr><td>2</td><td>-26dB</td><td>A</td><td>-10dB</td></tr> <tr><td>3</td><td>-24dB</td><td>B</td><td>-8dB</td></tr> <tr><td>4</td><td>-22dB</td><td>C</td><td>-6dB</td></tr> <tr><td>5</td><td>-20dB</td><td>D</td><td>-4dB</td></tr> <tr><td>6</td><td>-18dB</td><td>E</td><td>-2dB</td></tr> <tr><td>7</td><td>-16dB</td><td>F</td><td>0dB</td></tr> </tbody> </table>	command	gain	comman	gain	0	-30dB	8	-14dB	1	-28dB	9	-12dB	2	-26dB	A	-10dB	3	-24dB	B	-8dB	4	-22dB	C	-6dB	5	-20dB	D	-4dB	6	-18dB	E	-2dB	7	-16dB	F	0dB
command	gain	comman	gain																																		
0	-30dB	8	-14dB																																		
1	-28dB	9	-12dB																																		
2	-26dB	A	-10dB																																		
3	-24dB	B	-8dB																																		
4	-22dB	C	-6dB																																		
5	-20dB	D	-4dB																																		
6	-18dB	E	-2dB																																		
7	-16dB	F	0dB																																		

Setting of α

P2V_OFS makes small voice easy to be heard because the whole output level is lifted.

Default = 00h

Select Address	Operational explanation																																																																								
&h37 [4:0]	<table border="1"> <thead> <tr> <th>command</th> <th>gain</th> <th>command</th> <th>gain</th> <th>command</th> <th>gain</th> <th>command</th> <th>gain</th> </tr> </thead> <tbody> <tr><td>00</td><td>0dB</td><td>08</td><td>+8dB</td><td>10</td><td>+16dB</td><td>18</td><td>+24dB</td></tr> <tr><td>01</td><td>+1dB</td><td>09</td><td>+9dB</td><td>11</td><td>+17dB</td><td>19</td><td>-</td></tr> <tr><td>02</td><td>+2dB</td><td>0A</td><td>+10dB</td><td>12</td><td>+18dB</td><td>1A</td><td>-</td></tr> <tr><td>03</td><td>+3dB</td><td>0B</td><td>+11dB</td><td>13</td><td>+19dB</td><td>1B</td><td>-</td></tr> <tr><td>04</td><td>+4dB</td><td>0C</td><td>+12dB</td><td>14</td><td>+20dB</td><td>1C</td><td>-</td></tr> <tr><td>05</td><td>+5dB</td><td>0D</td><td>+13dB</td><td>15</td><td>+21dB</td><td>1D</td><td>-</td></tr> <tr><td>06</td><td>+6dB</td><td>0E</td><td>+14dB</td><td>16</td><td>+22dB</td><td>1E</td><td>-</td></tr> <tr><td>07</td><td>+7dB</td><td>0F</td><td>+15dB</td><td>17</td><td>+23dB</td><td>1F</td><td>-</td></tr> </tbody> </table>	command	gain	command	gain	command	gain	command	gain	00	0dB	08	+8dB	10	+16dB	18	+24dB	01	+1dB	09	+9dB	11	+17dB	19	-	02	+2dB	0A	+10dB	12	+18dB	1A	-	03	+3dB	0B	+11dB	13	+19dB	1B	-	04	+4dB	0C	+12dB	14	+20dB	1C	-	05	+5dB	0D	+13dB	15	+21dB	1D	-	06	+6dB	0E	+14dB	16	+22dB	1E	-	07	+7dB	0F	+15dB	17	+23dB	1F	-
command	gain	command	gain	command	gain	command	gain																																																																		
00	0dB	08	+8dB	10	+16dB	18	+24dB																																																																		
01	+1dB	09	+9dB	11	+17dB	19	-																																																																		
02	+2dB	0A	+10dB	12	+18dB	1A	-																																																																		
03	+3dB	0B	+11dB	13	+19dB	1B	-																																																																		
04	+4dB	0C	+12dB	14	+20dB	1C	-																																																																		
05	+5dB	0D	+13dB	15	+21dB	1D	-																																																																		
06	+6dB	0E	+14dB	16	+22dB	1E	-																																																																		
07	+7dB	0F	+15dB	17	+23dB	1F	-																																																																		

Setting 1 of transition time at the time of attack

A_RATE is the setting of transition time when the state of P²Volume function is transited to (2)→(3).

Default = 0

Select Address	Operational explanation																				
&h38 [6:4]	<table border="1"> <thead> <tr> <th>command</th> <th>A_RATE time</th> <th>command</th> <th>A_RATE time</th> </tr> </thead> <tbody> <tr><td>0</td><td>1ms</td><td>4</td><td>5ms</td></tr> <tr><td>1</td><td>2ms</td><td>5</td><td>10ms</td></tr> <tr><td>2</td><td>3ms</td><td>6</td><td>20ms</td></tr> <tr><td>3</td><td>4ms</td><td>7</td><td>40ms</td></tr> </tbody> </table>	command	A_RATE time	command	A_RATE time	0	1ms	4	5ms	1	2ms	5	10ms	2	3ms	6	20ms	3	4ms	7	40ms
command	A_RATE time	command	A_RATE time																		
0	1ms	4	5ms																		
1	2ms	5	10ms																		
2	3ms	6	20ms																		
3	4ms	7	40ms																		

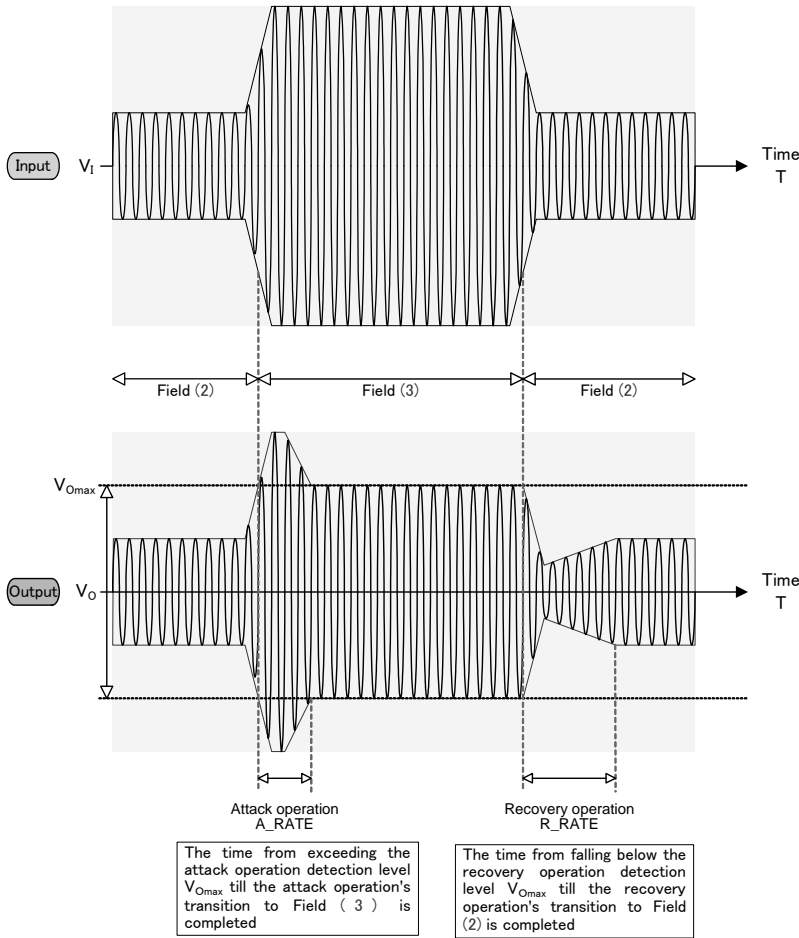
Setting 1 of transition time at the time of recovery

R_RATE is the setting of transition time when the state of P²Volume function is transited to (3)→(2).

Default = 0h

Select Address	Operational explanation																																				
&h38 [3:0]	<table border="1"> <thead> <tr> <th>command</th> <th>R_RATE time</th> <th>command</th> <th>R_RATE time</th> </tr> </thead> <tbody> <tr><td>0</td><td>0.25s</td><td>8</td><td>3s</td></tr> <tr><td>1</td><td>0.5s</td><td>9</td><td>4s</td></tr> <tr><td>2</td><td>0.75s</td><td>A</td><td>5s</td></tr> <tr><td>3</td><td>1s</td><td>B</td><td>6s</td></tr> <tr><td>4</td><td>1.25s</td><td>C</td><td>7s</td></tr> <tr><td>5</td><td>1.5s</td><td>D</td><td>8s</td></tr> <tr><td>6</td><td>2s</td><td>E</td><td>9s</td></tr> <tr><td>7</td><td>2.5s</td><td>F</td><td>10s</td></tr> </tbody> </table>	command	R_RATE time	command	R_RATE time	0	0.25s	8	3s	1	0.5s	9	4s	2	0.75s	A	5s	3	1s	B	6s	4	1.25s	C	7s	5	1.5s	D	8s	6	2s	E	9s	7	2.5s	F	10s
command	R_RATE time	command	R_RATE time																																		
0	0.25s	8	3s																																		
1	0.5s	9	4s																																		
2	0.75s	A	5s																																		
3	1s	B	6s																																		
4	1.25s	C	7s																																		
5	1.5s	D	8s																																		
6	2s	E	9s																																		
7	2.5s	F	10s																																		

Explanation of A_RATE,R_RATE(field transition of (2)->(3))



Setting 1 of attack detection time

A_TIME is the setting of the initiation of P²Volume function's transition operation. If output level at the time of transiting to (2)→(3) continues for more then A_TIME time in succession, then the state transition of P²Volume is started.

Default = 0

Select Address	Operational explanation			
&h39 [6:4]	command	A_TIME	command	A_TIME
	0	0.5ms	4	3ms
	1	1ms	5	4ms
	2	1.5ms	6	5ms
	3	2ms	7	6ms

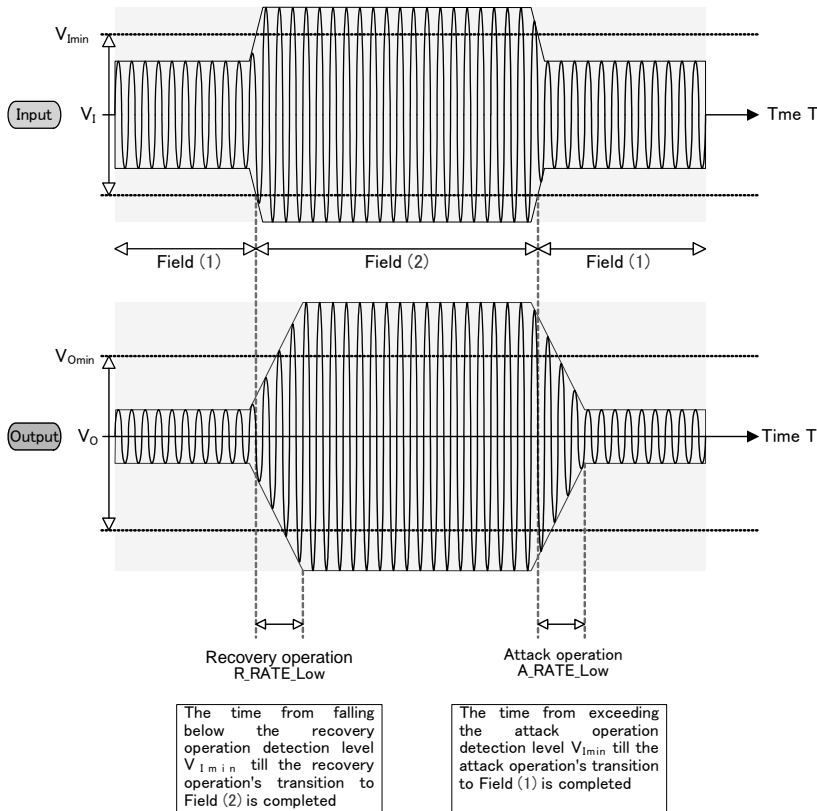
Setting 1 of recovery detection time

R_TIME is the setting of the initiation of P²Volume function's transition operation. If output level at the time of transiting to (3)→(2) continues for more then R_TIME time in succession, then the state transition of P²Volume is started.

Default = 0

Select Address	Operational explanation			
&h39 [2:0]	command	R_TIME	command	R_TIME
	0	50ms	4	300ms
	1	100ms	5	400ms
	2	150ms	6	500ms
	3	200ms	7	600ms

Explanation of A_RATE_Low,R_RATE_Low(field transition of (1)<->(2))



Setting 2 of the transition time at the time of attack

A_RATE_LOW is the setting of transition time when the state of P²Volume function is transited to (2)→(1).

Default = 0

Select Address	Operational explanation			
	Command	A_RATE_LOW Time	Command	A_RATE_LOW Time
&h3A [6:4]	0	1ms	4	5ms
	1	2ms	5	10ms
	2	3ms	6	20ms
	3	4ms	7	40ms

Setting 2 of the transition time at the time of recovery

R_RATE_LOW is the setting of transition time when the state of P²Volume function is transited to (1)→(2).

Default = 0 (Caution) This setting value is not reflected in BU9409FV. The value of &h38 [3:0] is set up.

Select Address	Operational explanation			
	Command	R_RATE_LOW Time	Command	R_RATE_LOW Time
&h3A [2:0]	0	1ms	4	5ms
	1	2ms	5	10ms
	2	3ms	6	20ms
	3	4ms	7	40ms

Setting 2 of attack · recovery detection time

AR_TIME_LOW is the setting of the initiation of P²Volume function's transition operation. If output level at the time of transiting to (1)<->(2) continues for more then AR_TIME time in succession, then the state transition of P²Volume is started.

Default = 0

Select Address	Operational explanation			
	Command	AR_TIME_LOW	Command	AR_TIME_LOW
&h3B [6:4]	0	0.5ms	4	3ms
	1	1ms	5	4ms
	2	1.5ms	6	5ms
	3	2ms	7	6ms

○Pulse sound detection and High-speed recovery function (functioning only at the time of transition of (2)↔(3))

P²Volume function makes the P²Volume also compatible with large pulse sounds (clapping of hands, fireworks & shooting etc.) in addition to normal P²Volume operation. When large pulse sound is inputted, attack operation (A_RATE) or recovery operation (R_RATE) is performed at 4 or 8 times the speed of normal attack operation or recovery operation.

Selection of using the pulse sound detection function.

Default = 0

Select Address	Value	Operational explanation
&h3BC [7]	0	Not using of pulse sound detection function
	1	Using of pulse sound detection function

Selection of operating times of Recovery Time (R_RATE) in the case of using the pulse sound detection function

Default = 0

Select Address	Value	Operational explanation
&h3C [3]	0	Operating at 4 times the speed corresponding to the setting time of R_RATE
	1	Operating at 8 times the speed corresponding to the setting time of R_RATE

Selection of pulse sound detection time

Default = 0

Select Address	Operational explanation			
&h3C [6:4]	Command	Detection time	Command	Detection time
	0	100us	4	2ms
	1	200us	5	5ms
	2	400us	6	10ms
	3	1ms	7	20ms

Setting of operating level of pulse sound detection function

Operation is started by the difference between the presently detected value and the last value as a standard.

Default = 0

Select Address	Operational explanation			
&h3C [2:0]	Command	Detection level	Command	Detection level
	0	Over 1.002	4	Over 0.251
	1	Over 0.709	5	Over 0.178
	2	Over 0.502	6	Over 0.126
	3	Over 0.355	7	Over 0.089

Example) Present detection level A : -10dB → 10[∧](-10/20) = 0.32

The last detection level B : -30dB → 10[∧](-30/20) = 0.032

A – B : 0.32 – 0.032 = 0.288 → Operating by the setting of command "4" to "7".

4-5. BASS

BASS of TONE Control can use Peaking filter or Low-shelf filter.

The setting is converted, in the IC, into digital filter's coefficients (b0, b1, b2, a1, a2) by selecting the F₀, Q and Gain, and transmitted to coefficient RAM. The switching shock noise at the time of alteration of setting can be prevented by the smooth transition function.

○BASS Control

Selection of filter types

Default = 0

Select Address	Value	Operational explanation
&h40 [7]	0	Peaking filter
	1	Low-shelf filter

Selection of smooth transition function

Default = 0

Select Address	Value	Operational explanation
&h40 [6]	0	Using BASS smooth transition function
	1	Not BASS using smooth transition function

Selection of smooth transition time

Default = 0

Select Address	Value	Operational explanation
&h40 [5:4]	0	21.4ms
	1	10.7ms
	2	5.4ms
	3	2.7ms

Setting of smooth transition start

In the case of using the smooth transition function, after being transmitted, by the &h40[0] command, to the coefficient RAM for smooth transition, the alteration of BASS's coefficients is completed by using this command.

Default = 0

Select Address	Value	Operational explanation
&h4C [0]	0	BASS smooth transition stop
	1	BASS smooth transition start

What is necessary is the time of waiting, which is more than the time selected by the setting of Bass smooth transition time, from the time the BASS smooth transition start (&h4C[0] = "1") is executed until the following command is sent. Please make sure to perform the Bass smooth transition stop (&h4C[0] = "0") after the smooth transition is completed.

Setting of the Start of transmitting to coefficient RAM

In the case of using the smooth transition, it is transmitted to the coefficient RAM for smooth transition. In the case of not using of the smooth transition, it is transmitted directly to the coefficient RAM.

Default = 0

Select Address	Value	Operational explanation
&h40 [0]	0	BASS coefficient transmission stop
	1	BASS coefficient transmission start

selection of frequency (F₀)

Default = 0Eh

Select Address	Operational explanation															
&h41 [5:0]	Command	Frequency	Command	Frequency	Command	Frequency	Command	Frequency	Command	Frequency	Command	Frequency	Command	Frequency	Command	Frequency
	00	20Hz	08	50Hz	10	125Hz	18	315Hz	20	800Hz	28	2kHz	30	5kHz	38	12.5kHz
	01	22Hz	09	56Hz	11	140Hz	19	350Hz	21	900Hz	29	2.2kHz	31	5.6kHz	39	14kHz
	02	25Hz	0A	63Hz	12	160Hz	1A	400Hz	22	1kHz	2A	2.5kHz	32	6.3kHz	3A	16kHz
	03	28Hz	0B	70Hz	13	180Hz	1B	450Hz	23	1.1kHz	2B	2.8kHz	33	7kHz	3B	18kHz
	04	32Hz	0C	80Hz	14	200Hz	1C	500Hz	24	1.25kHz	2C	3.15kHz	34	8kHz	3C	20kHz
	05	35Hz	0D	90Hz	15	220Hz	1D	560Hz	25	1.4kHz	2D	3.5kHz	35	9kHz	3D	-
	06	40Hz	0E	100Hz	16	250Hz	1E	630Hz	26	1.6kHz	2E	4kHz	36	10kHz	3E	-
07	45Hz	0F	110Hz	17	280Hz	1F	700Hz	27	1.8kHz	2F	4.5kHz	37	11kHz	3F	-	

Selection of quality factor (Q)

Default = 4h

Select Address	Operational explanation			
&h42 [3:0]	Command	Quality factor	Command	Quality factor
	0	0.33	8	2.2
	1	0.43	9	2.7
	2	0.56	A	3.3
	3	0.75	B	3.9
	4	1.0	C	4.7
	5	1.2	D	5.6
	6	1.5	E	6.8
7	1.8	F	8.2	

Selection of Gain

Default = 40h

Select Address	Operational explanation	
&h43 [6:0]	Command	Gain
	1C	-18dB
	⋮	⋮
	3E	-1dB
	3F	-0.5dB
	40	0dB
	41	+0.5dB
	42	+1dB
	⋮	⋮
64	+18dB	

If the coefficient of b₀, b₁, b₂, a₁, and a₂ exceeds ±4, it may not operate normally.

4-6. MIDDLE

MIDDLE of TONE Control uses Peaking filter.

The setting is converted, in the IC, into digital filter's coefficients (b0, b1, b2, a1, a2) by selecting the F, Q and Gain, and transmitted to coefficient RAM. The switching shock noise at the time of alteration of setting can be prevented by the smooth transition function.

○MIDDLE Control

Selection of smooth transition function

Default = 0

Select Address	Value	Operational explanation
&h44 [6]	0	Using MIDDLE smooth transition function
	1	Not MIDDLE using smooth transition function

Selection of smooth transition time

Default = 0

Select Address	Value	Operational explanation
&h44 [5:4]	0	21.4ms
	1	10.7ms
	2	5.4ms
	3	2.7ms

Setting of smooth transition start

In the case of using the smooth transition function, after being transmitted, by the &h44[0] command, to the coefficient RAM for smooth transition, the alteration of MIDDLE's coefficients is completed by using this command.

Default = 0

Select Address	Value	Operational explanation
&h4C [1]	0	MIDDLE smooth transition stop
	1	MIDDLE smooth transition start

What is necessary is the time of waiting, which is more than the time selected by the setting of MIDDLE smooth transition time, from the time the MIDDLE smooth transition start (&h4C[1] = "1") is executed until the following command is sent. Please make sure to perform the MIDDLE smooth transition stop (&h4C[1] = "0") after the smooth transition is completed.

Setting of the Start of transmitting to coefficient RAM

In the case of using the smooth transition, it is transmitted to the coefficient RAM for smooth transition. In the case of not using of the smooth transition, it is transmitted to the direct coefficient RAM.

Default = 0

Select Address	Value	Operational explanation
&h44 [0]	0	MIDDLE coefficient transmission stop
	1	MIDDLE coefficient transmission start

Selection of frequency (F₀)

Default = 0Eh

Select Address	Operational explanation															
&h45 [5:0]	Command	Frequency	Command	Frequency	Command	Frequency	Command	Frequency	Command	Frequency	Command	Frequency	Command	Frequency	Command	Frequency
	00	20Hz	08	50Hz	10	125Hz	18	315Hz	20	800Hz	28	2kHz	30	5kHz	38	12.5kHz
	01	22Hz	09	56Hz	11	140Hz	19	350Hz	21	900Hz	29	2.2kHz	31	5.6kHz	39	14kHz
	02	25Hz	0A	63Hz	12	160Hz	1A	400Hz	22	1kHz	2A	2.5kHz	32	6.3kHz	3A	16kHz
	03	28Hz	0B	70Hz	13	180Hz	1B	450Hz	23	1.1kHz	2B	2.8kHz	33	7kHz	3B	18kHz
	04	32Hz	0C	80Hz	14	200Hz	1C	500Hz	24	1.25kHz	2C	3.15kHz	34	8kHz	3C	20kHz
	05	35Hz	0D	90Hz	15	220Hz	1D	560Hz	25	1.4kHz	2D	3.5kHz	35	9kHz	3D	-
	06	40Hz	0E	100Hz	16	250Hz	1E	630Hz	26	1.6kHz	2E	4kHz	36	10kHz	3E	-
07	45Hz	0F	110Hz	17	280Hz	1F	700Hz	27	1.8kHz	2F	4.5kHz	37	11kHz	3F	-	

Selection of quality factor (Q)

Default = 4h

Select Address	Operational explanation			
&h46 [3:0]	Command	Quality factor	Command	Quality factor
	0	0.33	8	2.2
	1	0.43	9	2.7
	2	0.56	A	3.3
	3	0.75	B	3.9
	4	1.0	C	4.7
	5	1.2	D	5.6
	6	1.5	E	6.8
7	1.8	F	8.2	

Selection of Gain

Default = 40h

Select Address	Operational explanation	
&h47 [6:0]	Command	Gain
	1C	-18dB
	⋮	⋮
	3E	-1dB
	3F	-0.5dB
	40	0dB
	41	+0.5dB
	42	+1dB
	⋮	⋮
	64	+18dB

If the coefficient of b0, b1, b2, a1, and a2 exceeds ±4, it may not operate normally.

4-7. TREBLE

TREBLE of TONE Control can use Peaking filter or High-shelf filter.

The setting is converted, in the IC, into digital filter's coefficients (b0, b1, b2, a1, a2) by selecting the F_0 , Q and Gain, and transmitted to coefficient RAM. The switching shock noise at the time of alteration of setting can be prevented by the smooth transition function.

○TREBLE Control

Selection of filter types

Default = 0

Select Address	Value	Operational explanation
&h48 [7]	0	Peaking filter
	1	High-shelf filter

Selection of smooth transition function

Default = 0

Select Address	Value	Operational explanation
&h48 [6]	0	Using smooth transition function
	1	Not using smooth transition function

Selection of smooth transition time

Default = 0

Select Address	Value	Operational explanation
&h48 [5:4]	0	21.4ms
	1	10.7ms
	2	5.4ms
	3	2.7ms

Setting of smooth transition start

In the case of using the smooth transition function, after being transmitted, by the &h48[0] command, to the coefficient RAM for smooth transition, the alteration of TREBLE's coefficients is completed by using this command.

Default = 0

Select Address	Value	Operational explanation
&h4C [2]	0	TREBLE smooth transition stop
	1	TREBLE smooth transition start

What is necessary is the time of waiting, which is more than the time selected by the setting of TREBLE smooth transition time, from the time the TREBLE smooth transition start (&h4C[2] = "1") is executed until the following command is sent. Please make sure to perform the TREBLE smooth transition stop (&h4C[2] = "0") after the smooth transition is completed.

Setting of the Start of transmitting to coefficient RAM

In the case of using the smooth transition, it is transmitted to the coefficient RAM for smooth transition. In the case of not using of the smooth transition, it is transmitted to the direct coefficient RAM.

Default = 0

Select Address	Value	Operational explanation
&h48 [0]	0	TREBLE coefficient transmission stop
	1	TREBLE coefficient transmission start

Selection of frequency (F₀)

Default = 0Eh

Select Address	Operational explanation															
&h49 [5:0]	Command	Frequency	Command	Frequency	Command	Frequency	Command	Frequency	Command	Frequency	Command	Frequency	Command	Frequency	Command	Frequency
	00	20Hz	08	50Hz	10	125Hz	18	315Hz	20	800Hz	28	2kHz	30	5kHz	38	12.5kHz
	01	22Hz	09	56Hz	11	140Hz	19	350Hz	21	900Hz	29	2.2kHz	31	5.6kHz	39	14kHz
	02	25Hz	0A	63Hz	12	160Hz	1A	400Hz	22	1kHz	2A	2.5kHz	32	6.3kHz	3A	16kHz
	03	28Hz	0B	70Hz	13	180Hz	1B	450Hz	23	1.1kHz	2B	2.8kHz	33	7kHz	3B	18kHz
	04	32Hz	0C	80Hz	14	200Hz	1C	500Hz	24	1.25kHz	2C	3.15kHz	34	8kHz	3C	20kHz
	05	35Hz	0D	90Hz	15	220Hz	1D	560Hz	25	1.4kHz	2D	3.5kHz	35	9kHz	3D	-
	06	40Hz	0E	100Hz	16	250Hz	1E	630Hz	26	1.6kHz	2E	4kHz	36	10kHz	3E	-
07	45Hz	0F	110Hz	17	280Hz	1F	700Hz	27	1.8kHz	2F	4.5kHz	37	11kHz	3F	-	

Selection of quality factor (Q)

Default = 4h

Select Address	Operational explanation			
&h4A [3:0]	Command	Quality factor	Command	Quality factor
	0	0.33	8	2.2
	1	0.43	9	2.7
	2	0.56	A	3.3
	3	0.75	B	3.9
	4	1.0	C	4.7
	5	1.2	D	5.6
	6	1.5	E	6.8
7	1.8	F	8.2	

Selection of Gain

Default = 40h

Select Address	Operational explanation	
&h4B [6:0]	Command	Gain
	1C	-18dB
	⋮	⋮
	3E	-1dB
	3F	-0.5dB
	40	0dB
	41	+0.5dB
	42	+1dB
	⋮	⋮
	64	+18dB

If the coefficient of b0, b1, b2, a1, and a2 exceeds ±4, it may not operate normally.

4-8. Scaler 1

Scaler adjusts the gain in order to prevent the overflow in DSP.
 Adjustable range is +24dB to -103dB and can be set by the step of 0.5dB.
 Scaler 1 does not incorporate the smooth transition function.

Default = 30h

Select Address	Operational explanation	
	Command	Gain
&h24 [7 : 0]	00	+24dB
	01	+23.5dB
	:	:
	30	0dB
	31	-0.5dB
	32	-1dB
	:	:
	FE	-103dB
	FF	-∞

4-9. Pseudo stereo

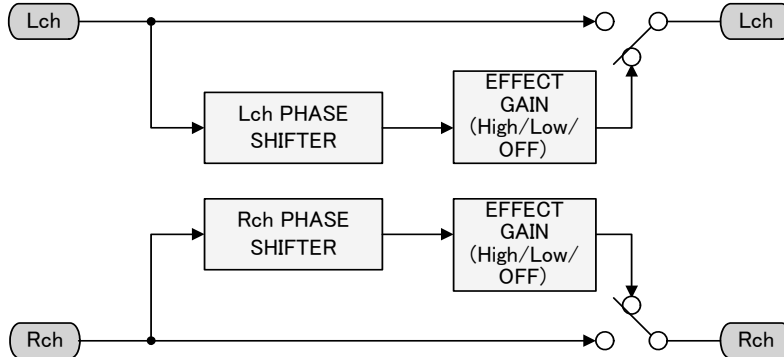
The sense of stereo is reproduced by signal processing of monaural voice.

Selection of filter effects of pseudo stereo

Default = 0

Select Address	Value	Operational explanation
&h71 [1 : 0]	0	Not using of pseudo stereo
	1	Gain is set as "high"
	2	Gain is set as "low"

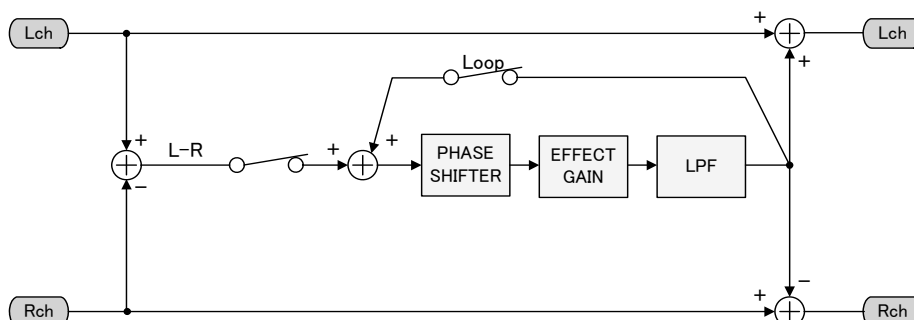
If combined with the Surround's setting of ON (&h70[7] = 1) , it will become even wider.



4-10. Surround (Matrix Surround 3D)

It realizes the Surround with little feeling of fatigue even after wide seat spot and long-time watching & listening to. It reproduces the feeling of broadening of the natural sounds in medium & high bands and realizes the sound field that do no damage to the feeling of locating of the vocal.

If loop is used, then the number of stages of phase shifter can be increased in a pseudo way.



ON/OFF of Surround function

Default = 0

Select Address	Value	Operational explanation
&h70 [7]	0	Turning the Surround effect OFF
	1	Turning the Surround effect ON

Setting of using the LOOP

Default = 0

Select Address	Value	Operational explanation
&h70 [5]	0	Not using of LOOP
	1	Using of LOOP

Setting of Surround gain

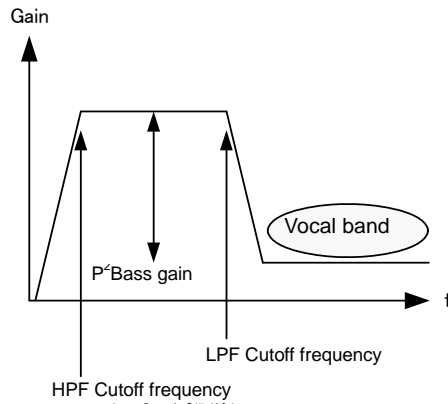
Default = Fh

Select Address	Operational explanation			
&h70 [3 : 0]	Command	Gain	Command	Gain
	0	0dB	8	-8dB
	1	-1dB	9	-9dB
	2	-2dB	A	-10dB
	3	-3dB	B	-11dB
	4	-4dB	C	-12dB
	5	-5dB	D	-13dB
	6	-6dB	E	-14dB
	7	-7dB	F	-15dB

4-11. P²Bass (Perfect Pure Bass : Deep Bass Equalizer)

It is the deep bass equalizer making it possible that even thin-screen TV, by which the enclosure of speaker is restricted, can reproduce the real sound close to powerful deep bass & original sound.

Solid & clear deep bass with little feeling of distortion is realized. Even boosting of bass does not interfere with vocal band, therefore rich and natural deep band is realized.



ON/OFF of P²Bass function

Default = 0

Select Address	Value	Operational explanation
&h73 [7]	0	Not using of P ² Bass function
	1	Using of P ² Bass function

Setting of P²Bass smooth transition time

Default = 0

Select Address	Value	Operational explanation
&h73 [3 : 2]	0	21.4ms
	1	10.7ms
	2	5.4ms
	3	2.7ms

P²Bass smooth transition control

Default = 0

Select Address	Value	Operational explanation
&h77 [1 : 0]	0	P ² Bass smooth transition stop
	1	Setting of the values into Coefficient RAM for P ² Bass smooth transition
	2	P ² Bass smooth transition start

What is necessary is the time of waiting, which is more than the time selected by the setting of P²Bass smooth transition time, from the time the P²Bass smooth transition start (&h77[1:0] = "2") is executed until the following command is sent. Please make sure to perform the P²Bass smooth transition stop (&h77[1:0] = "0") after the smooth transition is completed.

Setting of P²Bass deep bass gain

Default = 00h

Select Address	Operational explanation			
&h74 [7 : 4]	Command	Gain	Command	Gain
	0	0dB	8	+8dB
	1	+1dB	9	+9dB
	2	+2dB	A	+10dB
	3	+3dB	B	+11dB
	4	+4dB	C	+12dB
	5	+5dB	D	+13dB
	6	+6dB	E	+14dB
7	+7dB	F	+15dB	

Setting of P²Bass HPF cutoff frequency

Default = 0

Select Address	Value	Operational explanation
&h74 [3 : 2]	0	60Hz
	1	80Hz
	2	100Hz
	3	120Hz

Setting of P²Bass LPF cutoff frequency

Default = 0

Select Address	Value	Operational explanation
&h74 [1 : 0]	0	120Hz
	1	160Hz
	2	200Hz
	3	240Hz

ON/OFF of pseudo bass function

It can contribute to bass emphasis effect caused by pseudo bass. And it can also be used independently.

Default = 0

Select Address	Value	Operational explanation
&h72 [7]	0	Not using of pseudo bass function
	1	Using of pseudo bass function

Setting of pseudo bass gain

Default = 00h

Select Address	Operational explanation			
&h72 [6 : 4]	Command	Gain	Command	Gain
	0	-4dB	4	+4dB
	1	-2dB	5	+6dB
	2	0dB	6	+8dB
	3	+2dB	7	+10dB

4-12. P²Treble (Perfect Pure Treble : Medium · High-band equalizer)

It realizes good Clearness, sound stretch, and clear-cut manner.

It realizes such an effect that the sound is raised and can be heard when speaker is located on the underside of a device.

ON/OFF of P²Treble function

Default = 0

Select Address	Value	Operational explanation
&h75 [7]	0	Not using of P ² Treble function
	1	Using of P ² Treble function

Setting of P²Treble smooth transition time

Default = 0

Select Address	Value	Operational explanation
&h75 [3 : 2]	0	21.4ms
	1	10.7ms
	2	5.4ms
	3	2.7ms

P²Treble smooth transition control

Default = 0

Select Address	Value	Operational explanation
&h78 [1 : 0]	0	P ² Treble smooth transition stop
	1	Setting of the values into Coefficient RAM for P ² Treble smooth transition
	2	P ² Treble smooth transition S tart

What is necessary is the time of waiting, which is more than the time selected by the setting of P²Treble smooth transition time, from the time the P²Treble smooth transition start (&h78[1:0] = "2") is executed until the following command is sent. Please make sure to perform the P²Treble smooth transition stop (&h78[1:0] = "0") after the smooth transition is completed.

Setting of P²Treble medium · high-band gain

Default = 0h

Select Address	Operational explanation			
&h76 [7 : 4]	Command	Gain	Command	Gain
	0	0dB	8	+8dB
	1	+1dB	9	+9dB
	2	+2dB	A	+10dB
	3	+3dB	B	+11dB
	4	+4dB	C	+12dB
	5	+5dB	D	+13dB
	6	+6dB	E	+14dB
	7	+7dB	F	+15dB

4-13. Scaler 2

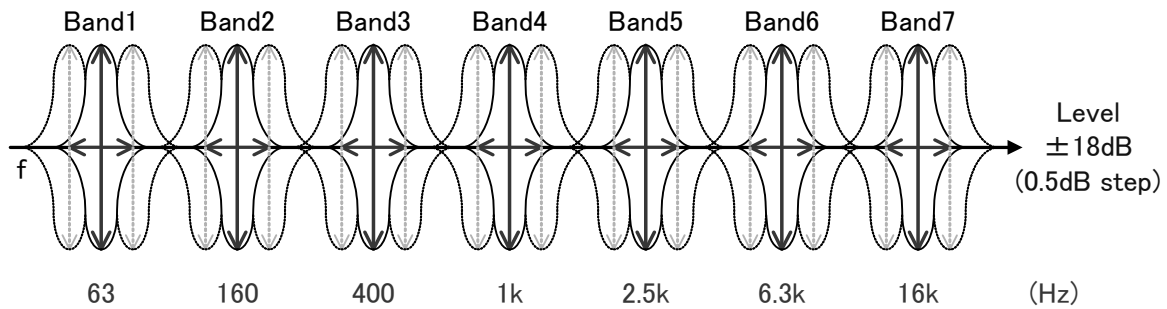
Scaler adjusts the gain in order to prevent the overflow in DSP.
 Adjustable range is +24dB to -103dB and can be set by the step of 0.5dB.
 Scaler 2 does not incorporate the smooth transition function.

Default = 30h

Select Address	Operational explanation	
&h25 [7 : 0]	Command	Gain
	00	+24dB
	01	+23.5dB
	⋮	⋮
	30	0dB
	31	-0.5dB
	32	-1dB
	⋮	⋮
	FE	-103dB
	FF	-∞

4-14. 7 band · parametric equalizer

7-band parametric equalizer can use Peaking filter, Low-shelf filter or high-shelf filter.
 The setting is converted, in the IC, into digital filter's coefficients (b0, b1, b2, a1, a2) by selecting the F, Q and Gain, and transmitted to coefficient RAM. There is no smooth transition function.



Selection of filter types

Default = 0

Select Address	Value	Operational explanation
bit[7:6] It sets to all band	0	Peaking filter
	1	Low-shelf filter
	2	High-shelf filter

Setting of the Start of transmitting to coefficient RAM

It is transmitted to direct coefficient RAM.

Default = 0

Select Address	Value	Operational explanation
bit [0] It sets to all band	0	Coefficient transmission stop
	1	Coefficient transmission start

Selection of frequency (F₀)

Default = 0Eh

Select Address	Operational explanation															
bit [5:0] It sets to all band	Command	Frequency	Command	Frequency	Command	Frequency	Command	Frequency	Command	Frequency	Command	Frequency	Command	Frequency	Command	Frequency
	00	20Hz	08	50Hz	10	125Hz	18	315Hz	20	800Hz	28	2kHz	30	5kHz	38	12.5kHz
	01	22Hz	09	56Hz	11	140Hz	19	350Hz	21	900Hz	29	2.2kHz	31	5.6kHz	39	14kHz
	02	25Hz	0A	63Hz	12	160Hz	1A	400Hz	22	1kHz	2A	2.5kHz	32	6.3kHz	3A	16kHz
	03	28Hz	0B	70Hz	13	180Hz	1B	450Hz	23	1.1kHz	2B	2.8kHz	33	7kHz	3B	18kHz
	04	32Hz	0C	80Hz	14	200Hz	1C	500Hz	24	1.25kHz	2C	3.15kHz	34	8kHz	3C	20kHz
	05	35Hz	0D	90Hz	15	220Hz	1D	560Hz	25	1.4kHz	2D	3.5kHz	35	9kHz	3D	-
	06	40Hz	0E	100Hz	16	250Hz	1E	630Hz	26	1.6kHz	2E	4kHz	36	10kHz	3E	-
	07	45Hz	0F	110Hz	17	280Hz	1F	700Hz	27	1.8kHz	2F	4.5kHz	37	11kHz	3F	-

Selection of quality factor (Q)

Default = 4h

Select Address	Operational explanation			
bit [3:0] It sets to every band	Command	Quality factor	Command	Quality factor
	0	0.33	8	2.2
	1	0.43	9	2.7
	2	0.56	A	3.3
	3	0.75	B	3.9
	4	1.0	C	4.7
	5	1.2	D	5.6
	6	1.5	E	6.8
	7	1.8	F	8.2

Selection of Gain

Default = 40h

Select Address	Operational explanation	
bit [6:0] It sets to every band	Command	Gain
	1C	-18dB
	:	:
	3E	-1dB
	3F	-0.5dB
	40	0dB
	41	+0.5dB
	42	+1dB
	:	:
	64	+18dB

If the coefficient of b0, b1, b2, a1, and a2 exceeds ±4, it may not operate normally.

The Select Address of each band is shown in the table below:

	Band1	Band2	Band3	Band4	Band5	Band6	Band7
Selection of filter type bit [7:6]							
Setting of the Start of transmitting to coefficient RAM bit [0]	&h50h	&h54h	&h58h	&h5Ch	&h60h	&h64h	&h68h
F (frequency) selection bit [5:0]	&h51h	&h55h	&h59h	&h5Dh	&h61h	&h65h	&h69h
Q (Quality Factor) selection bit [3:0]	&h52h	&h56h	&h5Ah	&h5Eh	&h62h	&h66h	&h6Ah
Gain selection bit [6:0]	&h53h	&h57h	&h5Bh	&h5Fh	&h63h	&h67h	&h6Bh

4-15. Main output EVR (Electronic volume)

Volume is from +24dB to -103dB, and can be selected by the step of 0.5dB. At the time of switching of Volume, smooth transition is performed. The smooth transition time takes about 22ms in the case of transiting from 0dB. (Fixed)

Setting of Volume

Default = FFh

Select Address	Operational explanation	
&h26 [7 : 0]	Command	Gain
	00	+24dB
	01	+23.5dB
	⋮	⋮
	30	0dB
	31	-0.5dB
	32	-1dB
	⋮	⋮
	FE	-103dB
	FF	-∞

4-16. Main output balance

Balance can be attenuated, by the step width of 1dB, from the Volume setting value. At the time of switching, smooth transition is performed. At the time of switching of Balance, smooth transition is performed. The smooth transition time takes about 22ms. (Fixed)

Setting of L/R Balance

Default = 80h

Select Address	Operational explanation		
&h27 [7 : 0]	Command	Lch	Rch
	00	0dB	-∞
	01	0dB	-126dB
	⋮	⋮	⋮
	7E	0dB	-1dB
	7F	0dB	0dB
	80	0dB	0dB
	81	-1dB	0dB
	⋮	⋮	⋮
	FE	-126dB	0dB
	FF	-∞	0dB

4-17. Main output postscaler

It performs the level adjustment when the data calculated in the 32-bit-width DSP is outputted in the form of 24bitwidth. Adjustable range is from +24dB to -103dB and can be set by the step of 0.5dB.

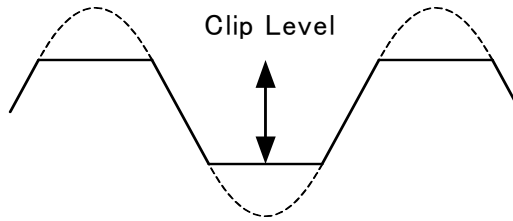
There is no smooth transition function in Postscaler.

Default = 30h

Select Address	Operational explanation	
&h28 [7 : 0]	Command	Gain
	00	+24dB
	01	+23.5dB
	⋮	⋮
	30	0dB
	31	-0.5dB
	32	-1dB
	⋮	⋮
	FE	-103dB
	FF	-∞

4-18. Main output clipper

When measuring the rated output (practical maximum output), it is measured where the total distortion rate (THD+N) is 10%. Clipping with any output amplitude is possible by using of clipper function, for example, the rated output of 10W or 5W can be obtained by using an amplifier with 15W output.



Please set the &h27[7] at "H" when using of clipper function.
Default = 0

using of clipper function.

Select Address	Value	Operational explanation
&h29 [7]	0	Not using clipper function
	1	Using clipper function

Clip level is set in the form of higher-order 8 bit&h2A[7:0] and lower-order 8 bit&h2B[7:0].

23	22	21	20	19	18	17	16	15	14	13	12	11	10	9	8	7	6	5	4	3	2	1	0						
0	1	1	1	1	1	1	1	1	1	1	1	1	1	1	1	1	1	1	1	1	1	1	1	1					
1	0	0	0	0	0	0	0	0	0	0	0	0	0	0	0	0	0	0	0	0	0	0	0	0					
0	clip_level[15:0]															0	0	0	0	0	0	0	0	0	0	0	0		
1	~clip_level[15:0]															1	1	1	1	1	1	1	1	1	1	1	1	1	1

← Maximum value
 ← Minimum value
 ← A positive clip level
 ← A negative clip level

The clip level

l becomes narrow if the setting value is reduced.

Negative clip level is set in such a way that it is the inversion data of positive clip level.

4-19. Selection of sub input data

Selection of Sub input (Sub woofer processing etc.).

The Sub woofer output interlocked with P²Bass's gain setting is possible by inputting the data that after P²Bass processing. In addition, in BU9409FV, the data can be inputted from SP conversion2.

Default = 0

Select Address	Value	Operational explanation
&h2F [1:0]	0	Inputting of data that are after scaler 1
	1	Inputting of data that are after P ² Bass processing
	2	Inputting of data from SP conversion2

4-20. Sub output channel mixer

Mixing setting of sound of the left channel and the right channel of the digital signal for sub output which is input into sound DSP is done. The monaural conversion of the stereo signal is done here.

The data which is input into Lch of Sub output signal processing is mixed.

Default = 0

Select Address	Value	Operating explanation
&h22 [3 : 2]	0	Inputting the Lch data
	1	Inputting the data of (Lch + Rch) / 2
	2	Inputting the data of (Lch + Rch) / 2
	3	Inputting the Rch data

The data which is input into Rch of Sub output signal processing is mixed.

Default = 0

Select Address	Value	Operating explanation
&h22 [1 : 0]	0	Inputting the Rch data
	1	Inputting the data of (Lch + Rch) / 2
	2	Inputting the data of (Lch + Rch) / 2
	3	Inputting the Lch data

4-21. LPF for sub woofer output

It is the crossover filter (LPF) for sub woofer output.
LPF function ON/OFF.

Default = 0

Select Address	Value	Operating explanation
&h7A [7]	0	LPF function is not used
	1	LPF function is used

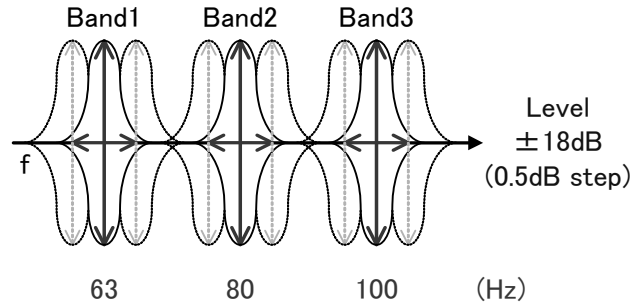
Setting of the cut off frequency (Fc) of LPF

Default = 0h

Select Address	Operating explanation			
&h7A [6 : 4]	Command	Fc	Command	Fc
	0	60Hz	4	160Hz
	1	80Hz	5	200Hz
	2	100Hz	6	240Hz
	3	120Hz	7	280Hz

4-22. Sub output 3 band Parametric Equalizer

The peaking filter or the low shelf filter or the high shelf filter can be used by the parametric equalizer of 3 bands. By the fact that F, Q and Gain are selected, it converts the setting to the coefficient (b0, b1, b2, a1 and a2) of the digital filter inside IC, and transfers it to the coefficient RAM. There is no smooth transition function.



Selection of filter type

Default = 0

Select Address	Value	Operating explanation
bit[7:6] It sets to all band	0	Peaking filter
	1	Low shelf filter
	2	High shelf filter

Transfer start setting to coefficient RAM.

It transfers directly to coefficient RAM.

Default = 0

Select Address	Value	Operating explanation
bit [0] It sets to all band	0	Coefficient transmission stop
	1	Coefficient transmission start

Selection of frequency (F₀)

Default = 0Eh

Select Address	Operating explanation															
bit [5:0] It sets to all band	Command	Frequency	Command	Frequency	Command	Frequency	Command	Frequency	Command	Frequency	Command	Frequency	Command	Frequency	Command	Frequency
	00	20Hz	08	50Hz	10	125Hz	18	315Hz	20	800Hz	28	2kHz	30	5kHz	38	12.5kHz
	01	22Hz	09	56Hz	11	140Hz	19	350Hz	21	900Hz	29	2.2kHz	31	5.6kHz	39	14kHz
	02	25Hz	0A	63Hz	12	160Hz	1A	400Hz	22	1kHz	2A	2.5kHz	32	6.3kHz	3A	16kHz
	03	28Hz	0B	70Hz	13	180Hz	1B	450Hz	23	1.1kHz	2B	2.8kHz	33	7kHz	3B	18kHz
	04	32Hz	0C	80Hz	14	200Hz	1C	500Hz	24	1.25kHz	2C	3.15kHz	34	8kHz	3C	20kHz
	05	35Hz	0D	90Hz	15	220Hz	1D	560Hz	25	1.4kHz	2D	3.5kHz	35	9kHz	3D	-
	06	40Hz	0E	100Hz	16	250Hz	1E	630Hz	26	1.6kHz	2E	4kHz	36	10kHz	3E	-
07	45Hz	0F	110Hz	17	280Hz	1F	700Hz	27	1.8kHz	2F	4.5kHz	37	11kHz	3F	-	

Selection of quality factor (Q)

Default = 4h

Select Address	Operating explanation			
bit [3:0] It sets to all band	Command	Quality factor	Command	Quality factor
	0	0.33	8	2.2
	1	0.43	9	2.7
	2	0.56	A	3.3
	3	0.75	B	3.9
	4	1.0	C	4.7
	5	1.2	D	5.6
	6	1.5	E	6.8
7	1.8	F	8.2	

Selection of Gain

Default = 40h

Select Address	Operating explanation																					
bit [6:0] It sets to all band	<table border="1"> <thead> <tr> <th>Command</th> <th>Gain</th> </tr> </thead> <tbody> <tr> <td>1C</td> <td>-18dB</td> </tr> <tr> <td>⋮</td> <td>⋮</td> </tr> <tr> <td>3E</td> <td>-1dB</td> </tr> <tr> <td>3F</td> <td>-0.5dB</td> </tr> <tr> <td>40</td> <td>0dB</td> </tr> <tr> <td>41</td> <td>+0.5dB</td> </tr> <tr> <td>42</td> <td>+1dB</td> </tr> <tr> <td>⋮</td> <td>⋮</td> </tr> <tr> <td>64</td> <td>+18dB</td> </tr> </tbody> </table>		Command	Gain	1C	-18dB	⋮	⋮	3E	-1dB	3F	-0.5dB	40	0dB	41	+0.5dB	42	+1dB	⋮	⋮	64	+18dB
Command	Gain																					
1C	-18dB																					
⋮	⋮																					
3E	-1dB																					
3F	-0.5dB																					
40	0dB																					
41	+0.5dB																					
42	+1dB																					
⋮	⋮																					
64	+18dB																					

If the coefficient of b0, b1, b2, a1, and a2 exceeds ±4, it may not operate normally.

Select Address of every band is as in chart below

	Band1	Band2	Band3
Selection of filter type bit [7:6]	&h80h	&h84h	&h88h
Transfer start setting to coefficient RAM bit [0]			
F (frequency) selection bit [5:0]	&h81h	&h85h	&h89h
Q (quality factor) selection bit [3:0]	&h82h	&h86h	&h8Ah
Gain selection bit [6:0]	&h83h	&h87h	&h8Bh

4-23. Sub output EVR (electronic volume)

The volume for sub output can select with 0.5dB step from +24dB to -103dB.

When changing volume, smooth transition is done. Smooth transition duration is required approximately 22ms when it is from 0dB. (Fixed)

Volume setting

Default = FFh

Select Address	Operating explanation																					
&h2C [7 : 0]	<table border="1"> <thead> <tr> <th>Command</th> <th>Gain</th> </tr> </thead> <tbody> <tr> <td>00</td> <td>+24dB</td> </tr> <tr> <td>01</td> <td>+23.5dB</td> </tr> <tr> <td>⋮</td> <td>⋮</td> </tr> <tr> <td>30</td> <td>0dB</td> </tr> <tr> <td>31</td> <td>-0.5dB</td> </tr> <tr> <td>32</td> <td>-1dB</td> </tr> <tr> <td>⋮</td> <td>⋮</td> </tr> <tr> <td>FE</td> <td>-103dB</td> </tr> <tr> <td>FF</td> <td>-∞</td> </tr> </tbody> </table>		Command	Gain	00	+24dB	01	+23.5dB	⋮	⋮	30	0dB	31	-0.5dB	32	-1dB	⋮	⋮	FE	-103dB	FF	-∞
Command	Gain																					
00	+24dB																					
01	+23.5dB																					
⋮	⋮																					
30	0dB																					
31	-0.5dB																					
32	-1dB																					
⋮	⋮																					
FE	-103dB																					
FF	-∞																					

4-24. Sub output balance

As for sub output balance, it is possible to be attenuated at 1dB step width from volume setting value. When changing, smooth transition is done.

When changing balance, smooth transition is done. Smooth transition duration is required approximately 22ms. (Fixed)
L/R Balance setting

Default = 80h

Select Address	Operating explanation		
&h2D [7 : 0]	Command	Lch	Rch
	00	0dB	-∞
	01	0dB	-126dB
	⋮	⋮	⋮
	7E	0dB	-1dB
	7F	0dB	0dB
	80	0dB	0dB
	81	-1dB	0dB
	⋮	⋮	⋮
	FE	-126dB	0dB
	FF	-∞	0dB

4-25. Sub output post scaler

The occasion when the data which is calculated with DSP of 32bit width is output at 24bit width, level adjustment is done.

The adjustment range can be set with 0.5dB step from +24dB to -103dB.

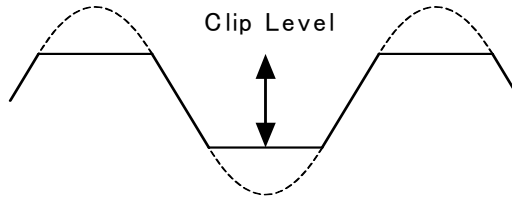
There is no smooth transition function in the sub output post scaler.

Default = 30h

Select Address	Operating explanation	
&h2E [7 : 0]	Command	Gain
	00	+24dB
	01	+23.5dB
	⋮	⋮
	30	0dB
	31	-0.5dB
	32	-1dB
	⋮	⋮
	FE	-103dB
	FF	-∞

4-26. Sub output clipper

The case when rated output (practical maximum output) of the television is measured, total harmonic distortion + noise (THD+N) measures at the place of 10%. It can obtain the rated output of 10W and 5W for example making use of the amplifier of 15W output, because it is possible to clip with optional output amplitude by using the clipper function.



Please designate &h30 [7] as "H" when function.

using sub output clipper

Default = 0

Select Address	Value	Operating explanation
&h30 [7]	0	Clipper function is not used
	1	Clipper function is used

As for clip level, it sets with superior 8 bits &h31 [7: 0] and subordinate 8 bits &h32 [7: 0].

23	22	21	20	19	18	17	16	15	14	13	12	11	10	9	8	7	6	5	4	3	2	1	0
0	1	1	1	1	1	1	1	1	1	1	1	1	1	1	1	1	1	1	1	1	1	1	1
1	0	0	0	0	0	0	0	0	0	0	0	0	0	0	0	0	0	0	0	0	0	0	0
0	clip_level[15:0]															0	0	0	0	0	0	0	
1	~clip_level[15:0]															1	1	1	1	1	1	1	

← Maximum value
 ← Minimum value
 ← A positive clip level
 ← A negative clip level

When
 settin

g value is made small, clip level becomes narrow.

As for negative clip level, the reversal data of positive clip level is set.

4-27. Direct setting five coefficient of b0, b1, b2, a1 and a2 of Bi-quad Filter

7 bands Parametric Equalizer of main output and of 3 bands Parametric Equalizer of sub output have used the secondary IIR type digital filter (Bi-quad Filter).

It is possible to set five coefficient 24 bit of b0, b1, b2, a1 and a2 of Bi-quad Filter (-4~+4) directly from an external.

When this function is used, it can do the filter type and frequency setting, Q value (quality factor) setting and gain setting other than Peaking, Low-Shelf and High-Shelf unrestrictedly.

(Note) five coefficient have the necessity to make below the ±4, there is no read-out function of setting value and an automatic renewal function of coefficient RAM.

Register for the coefficient transfer of 24bit

Before transferring into coefficient RAM in a lumping, the data is housed in the register for coefficient transfer from the micro-computer.

Default = 00h

Select Address	Operating explanation
&h8D [7:0]	bit[23:16] which transfers 24 bit coefficient
&h8E [7:0]	bit[15:8] which transfers 24 bit coefficient
&h8F [7:0]	bit[7:0] which transfers 24 bit coefficient

It starts to transmit the coefficient of 24bit into coefficient RAM

Default = 0

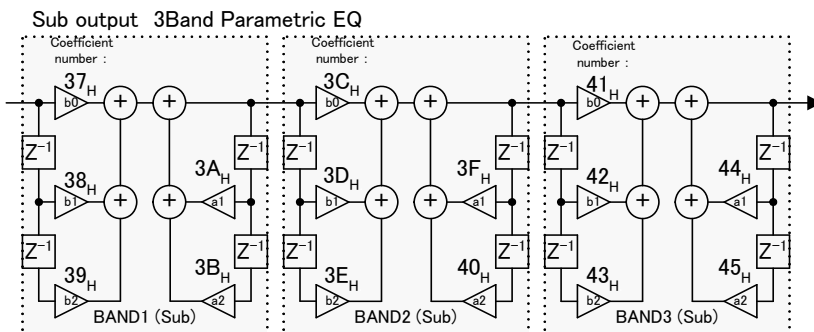
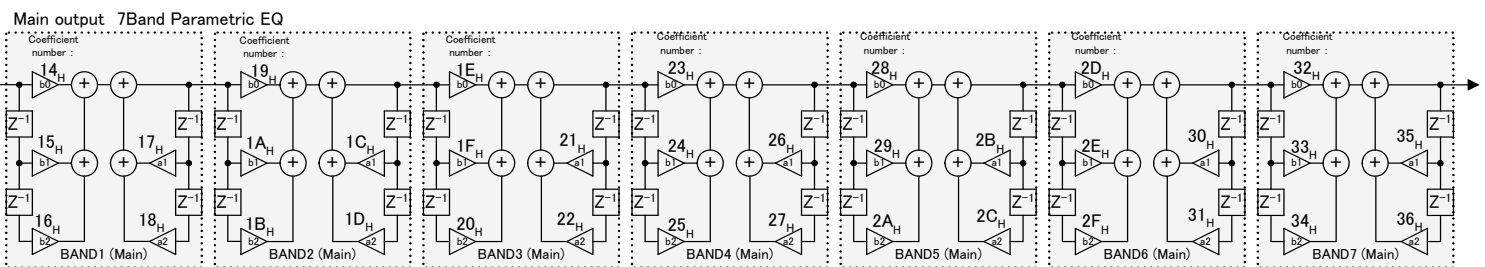
Select Address	Value	Operating explanation
&h8C [7]	0	Coefficient transmission stop
	1	Coefficient transmission start

Coefficient number appointment of coefficient RAM

Default = 00h

Select Address	Operating explanation
&h8C [6:0]	Coefficient number appointment of coefficient RAM

Appointment of coefficient number other than 14H↔45H is prohibition



4-28. About the automatic renewal of five coefficients of b0, b1, b2, a1 and a2 of Bi-quad Filter

BASS, MIDDLE, TREBLE, main output 7 bands Parametric Equalizer and sub output 3 band Parametric Equalizer have used coefficient RAM. As for this coefficient RAM, because direct access is not possible from the micro-computer, it cannot refresh the register efficiently.

There is an automatic renewal function of coefficient RAM in this DSP, the automatic write-in renewal of coefficient RAM is possible by using this function. However when 4-26 「the function of direct setting a coefficient RAM」 is utilized, it is not possible to utilize automatic write-in renewal.

Selection of using the automatic write-in renewal function

Default = 0

Select Address	Value	Operating explanation
&h6D [0]	0	Automatic write-in renewal function is used
	1	Automatic write-in renewal function is not used

The separate setting of Filter of automatic write-in renewal function

Default = 00h

Select Address	Filter	Operating explanation
&h6E [0]	BASS	0 : Automatic renewal function OFF
		1 : Automatic renewal function ON
&h6E [1]	MIDDLE	0 : Automatic renewal function OFF
		1 : Automatic renewal function ON
&h6E [2]	TREBLE	0 : Automatic renewal function OFF
		1 : Automatic renewal function ON
&h6E [4]	Sub BAND1	0 : Automatic renewal function OFF
		1 : Automatic renewal function ON
&h6E [5]	Sub BAND2	0 : Automatic renewal function OFF
		1 : Automatic renewal function ON
&h6E [6]	Sub BAND3	0 : Automatic renewal function OFF
		1 : Automatic renewal function ON
&h6F [0]	Main MAND1	0 : Automatic renewal function OFF
		1 : Automatic renewal function ON
&h6F [1]	Main MAND2	0 : Automatic renewal function OFF
		1 : Automatic renewal function ON
&h6F [2]	Main MAND3	0 : Automatic renewal function OFF
		1 : Automatic renewal function ON
&h6F [3]	Main MAND4	0 : Automatic renewal function OFF
		1 : Automatic renewal function ON
&h6F [4]	Main MAND5	0 : Automatic renewal function OFF
		1 : Automatic renewal function ON
&h6F [5]	Main MAND6	0 : Automatic renewal function OFF
		1 : Automatic renewal function ON
&h6F [6]	Main MAND7	0 : Automatic renewal function OFF
		1 : Automatic renewal function ON

5. P-S conversion 1 ,P-S conversion 2

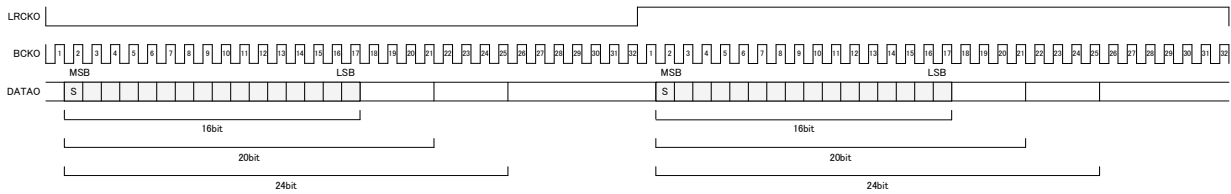
Two parallel serial conversion circuits are built in BU9409FV. (P-S conversion 1, P-S conversion 2)

P-S conversion 1 convert the Main output of DSP from SDATAO1, LRCKO, and BCKO (34,35,36pin) into three line serial data and output the data.

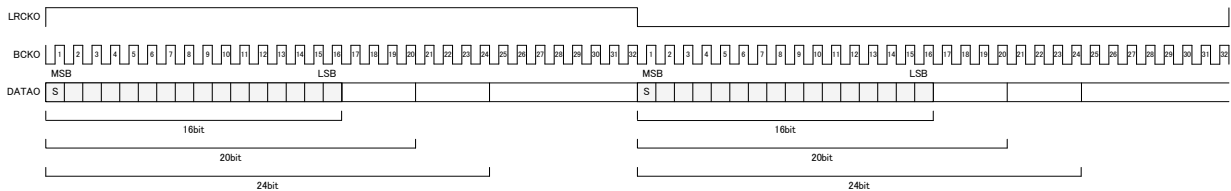
P-S conversion 2 convert the sub output of DSP from SDATAO1, LRCKO, and BCKO (33,35,36pin) into three line serial data and output the data.

Output format has the IIS mode, left-align mode, and right-align mode. 16 each bit, 20bit, and 24bit output can also be selected. The figure below shows the timing chart of each transmission mode.

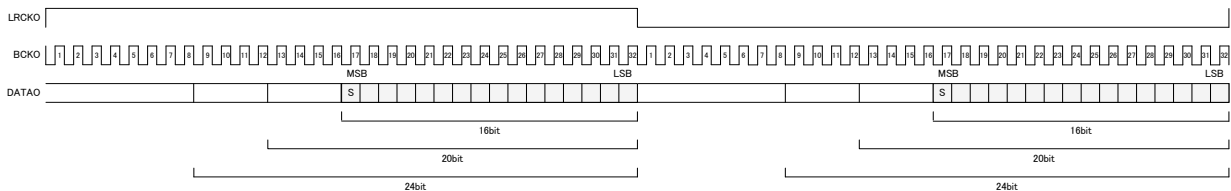
IIS mode



left-align mode



right-align mode



5-1. Format setting of three line serial output

Default = 0

Select Address	Value	Operating Description
P-S conversion 1 &h0D [3 : 2]	0	IIS mode
P-S conversion 2 &h0E [3 : 2]	1	left-align mode
	2	right-align mode

5-2. Setting data bit width of three line serial output

Default = 0

Select Address	Value	Operating Description
P-S conversion 1 &h0D [1 : 0]	0	16 bit
P-S conversion 2 &h0E [1 : 0]	1	20 bit
	2	24 bit

6. Mute function by command

Mute function by command is provided in BU9409FV.

It's possible to mute DSP's main and sub digital output by setting to &hFD [4] = 1h and MUTEX_DAC terminal and a MUTEX_SP terminal both to L.

Setting the transition time of smooth mute

Mute the Main and Sub output of DSP.

Select the transition time of entering from 0dB to mute state.

Smooth transition time when releasing mute is about 22ms(fixed) .

Default = 0

Select Address	Value	Operating Description
&h10 [1 : 0]	0	Don't use mute function.
	1	10.8ms
	2	5.4ms
	3	2.7ms

7. Clock halt function of DSP part

Clock halt function of DSP part with terminal MUTEX_DAC and MUTEX_SP is provided in BU9409FV.

Clock halt function's setting

Default = 0

Select Address	Value	Operating Description
&hA9 [7]	0	Don't use the clock halt function
	1	Use the clock halt function

When setting on using the clock halt function, then set the MUTEX_DAC and MUTEX_SP terminal on L ,the clock of DSP part will be halted. If clock is halted, command can't be sent and received in a part of the block. If &hA9 [7] is input from MCLK into clock, command can be sent and received even on the clock halt condition.

When MUTEX_DAC or MUTEX_SP terminal is on H, the clock halt will be released.

Power consumption decreases in the clock halt condition.

8. Command sent after releasing reset

Please send the following command after releasing reset including power supply on.

0. Power supply turning on

↓

○ Please input the clock from the outside. When the clock is not input, reset can't normally be done.

↓

1. Reset release (RESETB="H")

↓

2. &hA0[7:0] = C2h : Set PLLA.

↓

3. &hF3[5:0] = 10h : Set the dividing frequency ratio of MCLK. Please do as follows to set a value by fs of MCLK.

(MCLK:512fs=10h、256fs=08h、128fs=04h)

↓

4. &hF5[3:0] = 1h : Set the dividing frequency ratio of PLL.

↓

5. &hF6[5:0] = 23h : Set the phase match of PLL.

↓

6. &hF1[4] = 0 : Turn on the analog input.

↓

7. &h08[5:4] = 1h : Select the system clock.

↓

8. &hA7[7:0] = F4h : Synchronous detection condition setting 1 for PLLA is initialized.

↓

9. &hA8[7:0] = 33h : Synchronous detection condition setting 2 for PLLA is initialized.

↓

10. &hA9[3:0] = 3h : Synchronous detection condition setting 3 for PLLA is initialized.

↓

11. &hA9[5:4] = 2h or 1h or 0h : Set MCLK.

(Set in "2h" While MCLK is 512fs, set in "1h" While MCLK is 256fs, set in "0h" While MCLK is 128fs.)

↓

○ It is about 20ms weight until PLL is steady.

↓

10. &h01[5:4] = 0h : Turn off the RAM Clear.

↓

11. Other register setting

&h26[7:0] = **h : Release the mute of the Main output volume (30h=0dB) .

&h2C[7:0] = **h : Release the mute of the Sub output volume (30h=0dB) .

9. About frequency setting such as tone control and parametric equalizer

Because the sampling rate converter is not built into BU9409FV, the calculation clock of DSP is changed according to the input sampling rate of I2S.

Because sampling rate describes the frequency on the assumption of 48kHz in this function specification, conversion is needed in case of sampling frequency of 44.1kHz and 32kHz.

Please refer to the table below for F0 setting of tone control (Bass, Middle, Treble) and parametric equalizer.

F₀ (fs=48kHz)

Command	Frequency	Command	Frequency	Command	Frequency	Command	Frequency	Command	Frequency	Command	Frequency	Command	Frequency	Command	Frequency
00	20Hz	08	50Hz	10	125Hz	18	315Hz	20	800Hz	28	2kHz	30	5kHz	38	12.5kHz
01	22Hz	09	56Hz	11	140Hz	19	350Hz	21	900Hz	29	2.2kHz	31	5.6kHz	39	14kHz
02	25Hz	0A	63Hz	12	160Hz	1A	400Hz	22	1kHz	2A	2.5kHz	32	6.3kHz	3A	16kHz
03	28Hz	0B	70Hz	13	180Hz	1B	450Hz	23	1.1kHz	2B	2.8kHz	33	7kHz	3B	18kHz
04	32Hz	0C	80Hz	14	200Hz	1C	500Hz	24	1.25kHz	2C	3.15kHz	34	8kHz	3C	20kHz
05	35Hz	0D	90Hz	15	220Hz	1D	560Hz	25	1.4kHz	2D	3.5kHz	35	9kHz	3D	-
06	40Hz	0E	100Hz	16	250Hz	1E	630Hz	26	1.6kHz	2E	4kHz	36	10kHz	3E	-
07	45Hz	0F	110Hz	17	280Hz	1F	700Hz	27	1.8kHz	2F	4.5kHz	37	11kHz	3F	-

F₀ (fs=44.1kHz)

Command	Frequency	Command	Frequency	Command	Frequency	Command	Frequency	Command	Frequency	Command	Frequency	Command	Frequency	Command	Frequency
00	18Hz	08	46Hz	10	115Hz	18	289Hz	20	735Hz	28	1.84kHz	30	4.59kHz	38	11.5kHz
01	20Hz	09	51Hz	11	129Hz	19	322Hz	21	827Hz	29	2.02kHz	31	5.15kHz	39	12.9kHz
02	23Hz	0A	58Hz	12	147Hz	1A	368Hz	22	919Hz	2A	2.3kHz	32	5.79kHz	3A	14.7kHz
03	26Hz	0B	64Hz	13	165Hz	1B	413Hz	23	1.01kHz	2B	2.57kHz	33	6.43kHz	3B	16.5kHz
04	29Hz	0C	74Hz	14	184Hz	1C	459Hz	24	1.15kHz	2C	2.89kHz	34	7.35kHz	3C	18.4kHz
05	32Hz	0D	83Hz	15	202Hz	1D	515Hz	25	1.29kHz	2D	3.22kHz	35	8.27kHz	3D	-
06	37Hz	0E	92Hz	16	230Hz	1E	579Hz	26	1.47kHz	2E	3.68kHz	36	9.19kHz	3E	-
07	41Hz	0F	101Hz	17	257Hz	1F	643Hz	27	1.65kHz	2F	4.13kHz	37	10.1kHz	3F	-

F₀ (fs=32kHz)

Command	Frequency	Command	Frequency	Command	Frequency	Command	Frequency	Command	Frequency	Command	Frequency	Command	Frequency	Command	Frequency
00	13Hz	08	33Hz	10	83Hz	18	210Hz	20	533Hz	28	1.33kHz	30	3.33kHz	38	8.33kHz
01	15Hz	09	37Hz	11	93Hz	19	233Hz	21	600Hz	29	1.47kHz	31	3.73kHz	39	9.33kHz
02	17Hz	0A	42Hz	12	107Hz	1A	267Hz	22	667Hz	2A	1.67kHz	32	4.2kHz	3A	10.7kHz
03	19Hz	0B	47Hz	13	120Hz	1B	300Hz	23	733Hz	2B	1.87kHz	33	4.67kHz	3B	12kHz
04	21Hz	0C	53Hz	14	133Hz	1C	333Hz	24	833Hz	2C	2.1kHz	34	5.33kHz	3C	13.3kHz
05	23Hz	0D	60Hz	15	147Hz	1D	373Hz	25	933Hz	2D	2.33kHz	35	6kHz	3D	-
06	27Hz	0E	67Hz	16	167Hz	1E	420Hz	26	1.07kHz	2E	2.67kHz	36	6.67kHz	3E	-
07	30Hz	0F	73Hz	17	187Hz	1F	467Hz	27	1.2kHz	2F	3kHz	37	7.33kHz	3F	-

10. About a setup of a clock, and the input of a command

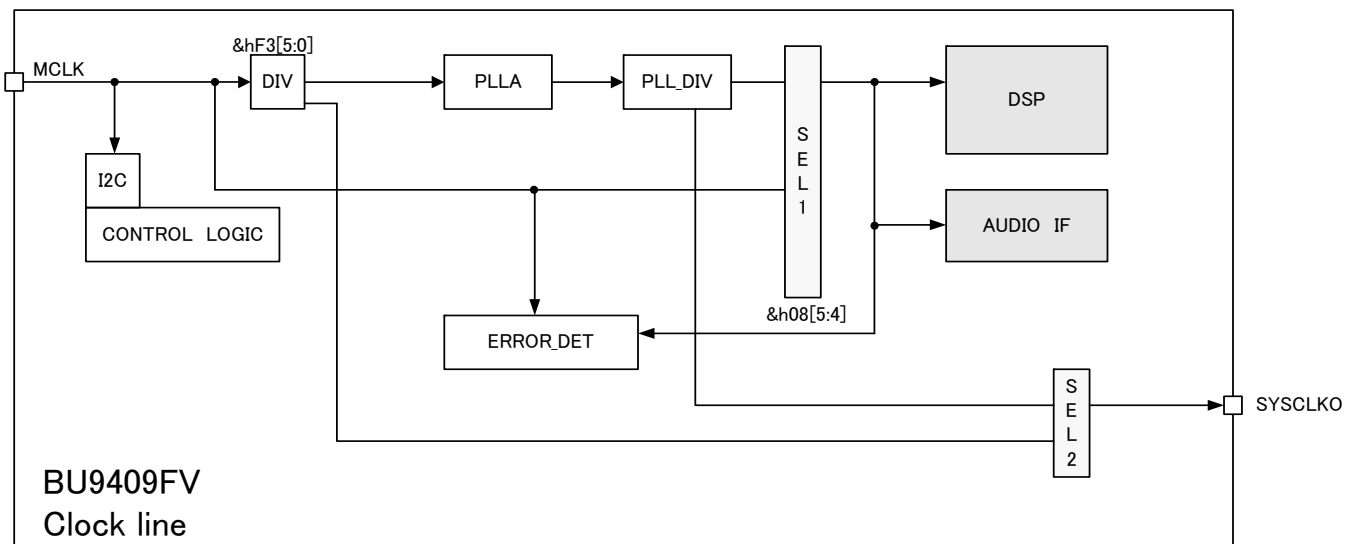
The input of MCLK is decided by combination of three kinds of sampling rates (fs=32kHz, 44.1kHz, 48kHz), and three kinds of magnifications (128 times, 256 times, 512 times).

MCLK clock	Sampling rate(fs)		
	32kHz	44.1kHz	48kHz
128fs	4.096MHz	5.6448MHz	6.144MHz
256fs	8.192MHz	11.2896MHz	12.288MHz
512fs	16.384MHz	22.5792MHz	24.576MHz

In order that PLL may multiple the dividing output of MCLK, the dividing ratio of MCLK is not concerned with a sampling rate like explanation in Chapter 8, but is decided by the magnification of MCLK.

MCLK clock	&hF3[5:0]
128fs	04h
256fs	08h
512fs	10h

Therefore, as for the case of the input of 4.096MHz-6.144MHz, and a 256fs setup, in the input frequency of MCLK, in a 128fs setup, a 16.384MHz - 24.576MHz input serves as a range which can be operated in a 8.192MHz - 12.288MHz input and a 512fs setup.



The clock system figure of BU9409FV is as mentioned above.

- (1) In the case of &h08 [5:4] =1, the block of an above figure light blue operates with a PLL clock.
- (2) In the case of &h08 [5:4] =0, the block of an above figure light blue operates by MCLK.

Be careful of the following points at the time of a command input.

In (1), a part of blocks containing DSP are operating with the clock of PLL.

Therefore, even if MCLK is the range which is 4.096MHz - 24.576MHz, when a setup of PLL and the setup of &hF3 are not performed correctly, a command may not be received other than command &h08 of a system control system, &hA0-&hA9, &hB0-&hBA, &hD0, &hF0 - &hFA.

In (2), the whole operates with the clock of MCLK.

If MCLK is the range which is 4.096MHz - 24.576MHz, all blocks will receive an I2C command.

11. About the change of a sampling rate

11-1. When a sampling rate change can predict beforehand

When the change of a sampling rate can predict beforehand, please switch a sampling rate in the following procedures.

1. The mute of the DAC is carried out (MUTEX_SP and MUTEX_DAC are set to L and it is a mute about BD5446.).
↓
2. EVR is set as -infinity.
↓
3. Set prescaler as -infinity.
↓
4. A RAM clearance is carried out by setting it as &h01= C0h.
↓
5. &h08[5:4] = by setting it as 0, the whole clock is switched to MCLK.
↓
6. Switch a sampling rate.
↓
7. Switch to a PLL clock after stabilizing the input of MCLK by setting it as more 20 msec WAIT and &h08 [5:4] =1h, since it is PLL stability.
↓
8. A RAM clearance is canceled by setting it as &h01 = 0.
↓
9. Since the coefficient is cleared, please set up DSP.
↓
10. Please cancel a DAC mute.

11-2. When a sampling rate change cannot predict beforehand

Please do the following work, when the change of a sampling rate cannot predict beforehand, and having switched is detected.

1. The mute of the DAC is carried out (MUTEX_SP and MUTEX_DAC are set to L and it is a mute about BD5446.).
↓
- When the input of MCLK has stopped, please do not input a command until MCLK is inputted again.
Please perform the following setup, after MCLK is inputted on the frequency of specification within the limits.
↓
2. It is set as &h08[5:4] = 0 and the whole clock is switched to MCLK.
↓
3. Switch to a PLL clock after stabilizing the input of MCLK by setting it as more 20 msec WAIT and &h08 [5:4] =1h, since it is PLL stability.
↓
4. A RAM clearance is carried out by setting it as &h01= C0h.
↓
5. EVR is set as -infinity.
↓
6. Prescaler is set as -infinity.
↓
7. A RAM clearance is canceled by setting it as &h01 = 0.
↓
8. Since the coefficient is cleared, please set up DSP.
↓
9. Please cancel a DAC mute.

11-3. When the frequency more than a stop or the specification range does not enter

[MCLK] at the time of a sampling rate change

When switching a sampling rate, the clock of the frequency more than the specification range does not go into MCLK, but when input data is 0, it can return with the following procedures.

1. Carry out the mute of the DAC (MUTEX_SP and MUTEX_DAC are set to L and it is a mute about BD5446.)

↓

○When the input of MCLK has stopped, please do not input a command until MCLK is inputted again.

Please perform the following setup, after MCLK is inputted on the frequency of specification within the limits.

↓

2. It is 20ms or more WAIT because of PLL stability.

↓

○When the section where MCLK stopped or the relation with I2S input had collapsed in the midst of the midst of soft transition and transmission of a coefficient exists, the coefficient may not be able to be transmitted well. When soft transition and a coefficient are transmitting, please perform a setup from 11-2 4.

Please perform the following setup, when you are not the midst of soft transition or transmission of a coefficient.

↓

3. Please cancel a DAC mute.

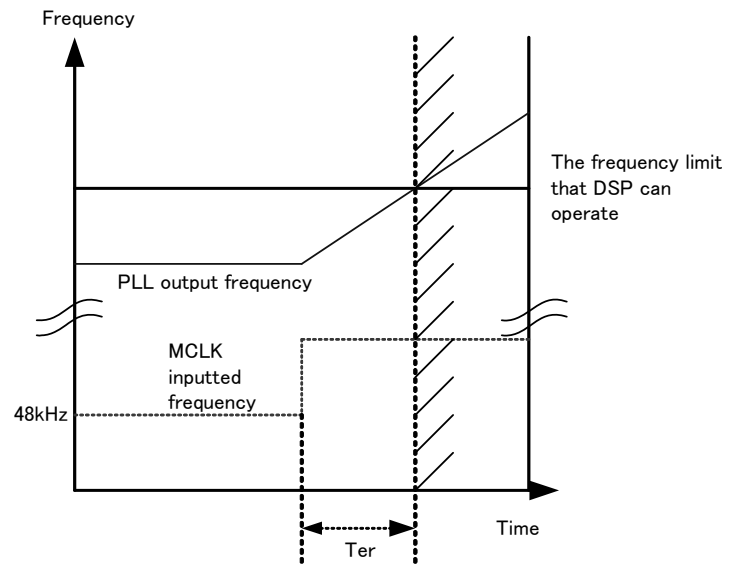
12. When the clock which exceeded the specification range from MCLK is inputted

When the frequency beyond $f_s=48\text{kHz}$ is inputted from MCLK in the state where it was set as $\&h08 [5:4] =1$, since PLL follows inputted MCLK, as shown in the right figure, when it exceeds Time T_{er} , it will exceed the frequency in which DSP can operate.

In this case, an allophone may carry out irrespective of the existence of data.

When you change into such a state, please carry out the mute of the DAC immediately, apply reset ($RESETB=L$), and do the work after reset release of Chapter 8.

The time of T_{er} serves as about 70 μsec .



13. Audio Interface Signal Specification

o Electric specification and timing of MCK, BCK, LRCK, and SDATA1 and SDATA2

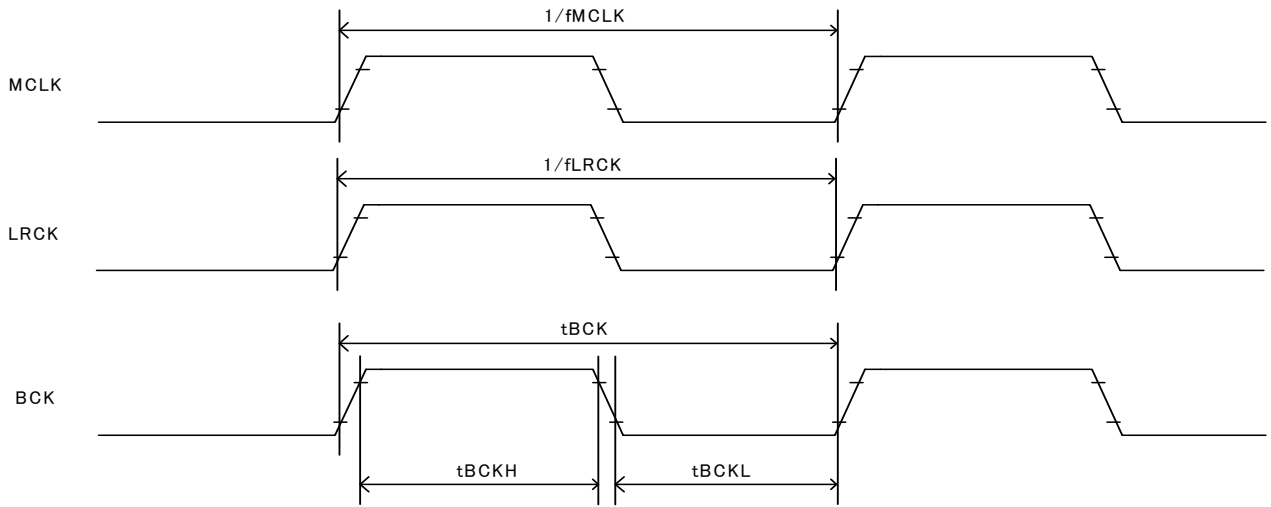


Fig 1-2 Clock timing

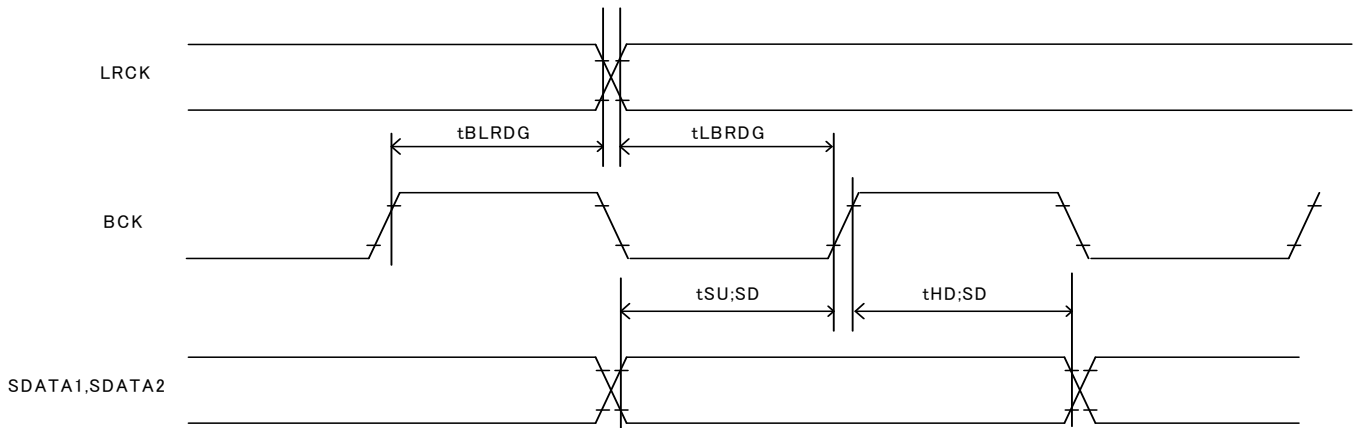


Fig 1-3 Audio interface timing

Parameter			Sign			Unit
				Min.	Max.	
1	MCK	Frequency	fSCLK	4.096	24.576	MHz
2		DUTY	dSCLK	40	60	%
3	LRCK	Frequency	fLRCK	32	48	kHz
4		DUTY	dLRCK	40	60	%
5	BCK	Cycle	tBCK	325	—	ns
6		H width	tBCKH	130	—	ns
7		L width	tBCKL	130	—	ns
8	It is time to the edge of LRCK from a BCK rising edge.*1		tBLRDG	20	—	ns
9	It is time to a BCK rising edge from the edge of LRCK.*1		tLBRDG	20	-	ns
10	Setup time of SDATA		tSU;SD	20	-	ns
11	Hold time of SDATA		tHD;SD	20	—	ns

*1 This standard value has specified that the edge of LRCK and the rising edge of BCK do not overlap.

14. Notes at the Time of Reset

Since the state of IC is not decided, please make it into RESETX=L at the time of a power supply injection, and surely apply reset.

Reset of BU9409FV is performing noise removal by MCLK.

Therefore, in order to apply reset, a MCLK clock pulse is required of the state of RESETX=L more than 10 times.

The power-on reset after a power supply injection, and when you usually apply reset at the time of operation, please be sure to carry out in the state where the clock is inputted, from MCLK.

15. Read-out of Soft Transition Flag

It is set to &hF4[0] =H when BASS, MIDDLE, TREBLE or P2Bass, and P2Treble are soft transiting.

It is possible to check whether soft transition is completed by reading &hF4 [0]

Soft transition will be completed if the read-out result of &hF4 [0] is L.

•Cautions**(1) ABSOLUTE MAXIMUM RATINGS**

Permanent device damage may occur and break mode (open or short) can not be specified if power supply, operating temperature, and those of ABSOLUTE MAXIMUM RATINGS are exceeded. If such a special condition is expected, components for safety such as fuse must be used.

(2) Regarding of SCLI and SDAI terminals

SCLI and the SDAI terminal do not support 5 V-tolerant. Please use it within absolute maximum rating (4.5V).

(3) Power Supply

Power and Ground line must be designed as low impedance in the PCB. Print patterns if digital power supply and analog power supply must be separated even if these have same voltage level. Print patterns for ground must be designed as same as power supply. These considerations avoid analog circuits from the digital circuit noise. All pair of power supply and ground must have their own de-coupling capacitor. Those capacitor should be checked about their specification, etc. (nominal electrolytic capacitor degrades its capacity at low temperature) and choose the constant of an electrolytic capacitor.

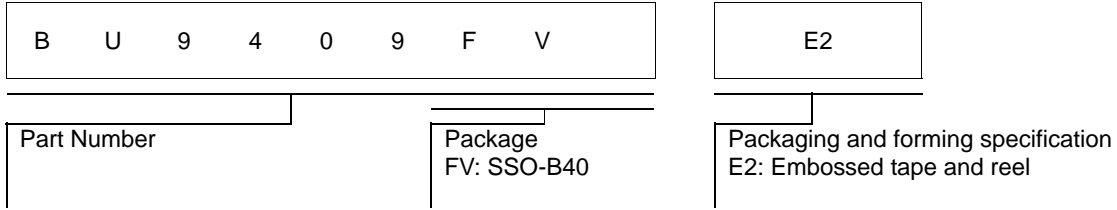
(4) Functionality in the strong electro-magnetic field

Malfunction may occur if in the strong electro-magnetic field.

(5) Input terminals

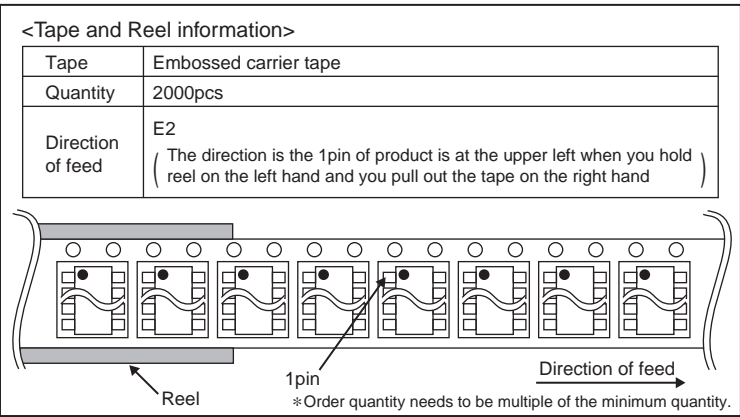
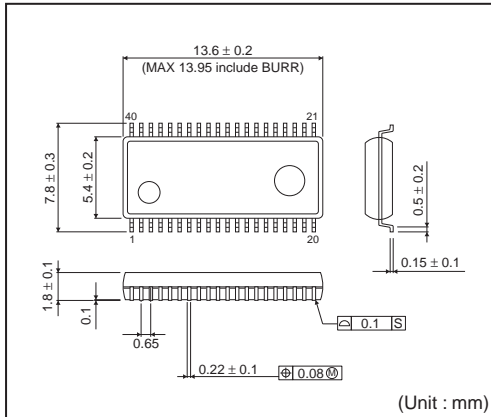
All LSI contain parasitic components. Some are junctions which normally reverse bias. When these junctions forward bias, currents flows on unwanted path, malfunction or device damage may occur. To prevent this, all input terminal voltage must be between ground and power supply, or in the range of guaranteed value in the Electrical characteristics. And no voltage should be supplied to all input terminal when power is not supplied.

●Ordering Information

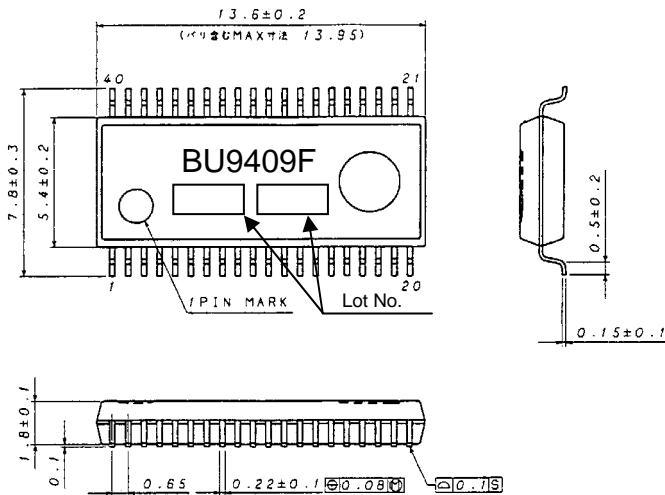


●Physical Dimension Tape and Reel Information

SSOP-B40



●Marking Diagram(s)(TOP VIEW)



Notice

Precaution on using ROHM Products

- Our Products are designed and manufactured for application in ordinary electronic equipments (such as AV equipment, OA equipment, telecommunication equipment, home electronic appliances, amusement equipment, etc.). If you intend to use our Products in devices requiring extremely high reliability (such as medical equipment ^(Note 1), transport equipment, traffic equipment, aircraft/spacecraft, nuclear power controllers, fuel controllers, car equipment including car accessories, safety devices, etc.) and whose malfunction or failure may cause loss of human life, bodily injury or serious damage to property ("Specific Applications"), please consult with the ROHM sales representative in advance. Unless otherwise agreed in writing by ROHM in advance, ROHM shall not be in any way responsible or liable for any damages, expenses or losses incurred by you or third parties arising from the use of any ROHM's Products for Specific Applications.

(Note1) Medical Equipment Classification of the Specific Applications

JAPAN	USA	EU	CHINA
CLASS III	CLASS III	CLASS II b	CLASS III
CLASS IV		CLASS III	

- ROHM designs and manufactures its Products subject to strict quality control system. However, semiconductor products can fail or malfunction at a certain rate. Please be sure to implement, at your own responsibilities, adequate safety measures including but not limited to fail-safe design against the physical injury, damage to any property, which a failure or malfunction of our Products may cause. The following are examples of safety measures:
 - Installation of protection circuits or other protective devices to improve system safety
 - Installation of redundant circuits to reduce the impact of single or multiple circuit failure
- Our Products are designed and manufactured for use under standard conditions and not under any special or extraordinary environments or conditions, as exemplified below. Accordingly, ROHM shall not be in any way responsible or liable for any damages, expenses or losses arising from the use of any ROHM's Products under any special or extraordinary environments or conditions. If you intend to use our Products under any special or extraordinary environments or conditions (as exemplified below), your independent verification and confirmation of product performance, reliability, etc. prior to use, must be necessary:
 - Use of our Products in any types of liquid, including water, oils, chemicals, and organic solvents
 - Use of our Products outdoors or in places where the Products are exposed to direct sunlight or dust
 - Use of our Products in places where the Products are exposed to sea wind or corrosive gases, including Cl₂, H₂S, NH₃, SO₂, and NO₂
 - Use of our Products in places where the Products are exposed to static electricity or electromagnetic waves
 - Use of our Products in proximity to heat-producing components, plastic cords, or other flammable items
 - Sealing or coating our Products with resin or other coating materials
 - Use of our Products without cleaning residue of flux (even if you use no-clean type fluxes, cleaning residue of flux is recommended); or Washing our Products by using water or water-soluble cleaning agents for cleaning residue after soldering
 - Use of the Products in places subject to dew condensation
- The Products are not subject to radiation-proof design.
- Please verify and confirm characteristics of the final or mounted products in using the Products.
- In particular, if a transient load (a large amount of load applied in a short period of time, such as pulse. is applied, confirmation of performance characteristics after on-board mounting is strongly recommended. Avoid applying power exceeding normal rated power; exceeding the power rating under steady-state loading condition may negatively affect product performance and reliability.
- De-rate Power Dissipation (Pd) depending on Ambient temperature (Ta). When used in sealed area, confirm the actual ambient temperature.
- Confirm that operation temperature is within the specified range described in the product specification.
- ROHM shall not be in any way responsible or liable for failure induced under deviant condition from what is defined in this document.

Precaution for Mounting / Circuit board design

- When a highly active halogenous (chlorine, bromine, etc.) flux is used, the residue of flux may negatively affect product performance and reliability.
- In principle, the reflow soldering method must be used; if flow soldering method is preferred, please consult with the ROHM representative in advance.

For details, please refer to ROHM Mounting specification

Precautions Regarding Application Examples and External Circuits

1. If change is made to the constant of an external circuit, please allow a sufficient margin considering variations of the characteristics of the Products and external components, including transient characteristics, as well as static characteristics.
2. You agree that application notes, reference designs, and associated data and information contained in this document are presented only as guidance for Products use. Therefore, in case you use such information, you are solely responsible for it and you must exercise your own independent verification and judgment in the use of such information contained in this document. ROHM shall not be in any way responsible or liable for any damages, expenses or losses incurred by you or third parties arising from the use of such information.

Precaution for Electrostatic

This Product is electrostatic sensitive product, which may be damaged due to electrostatic discharge. Please take proper caution in your manufacturing process and storage so that voltage exceeding the Products maximum rating will not be applied to Products. Please take special care under dry condition (e.g. Grounding of human body / equipment / solder iron, isolation from charged objects, setting of ionizer, friction prevention and temperature / humidity control).

Precaution for Storage / Transportation

1. Product performance and soldered connections may deteriorate if the Products are stored in the places where:
 - [a] the Products are exposed to sea winds or corrosive gases, including Cl₂, H₂S, NH₃, SO₂, and NO₂
 - [b] the temperature or humidity exceeds those recommended by ROHM
 - [c] the Products are exposed to direct sunshine or condensation
 - [d] the Products are exposed to high Electrostatic
2. Even under ROHM recommended storage condition, solderability of products out of recommended storage time period may be degraded. It is strongly recommended to confirm solderability before using Products of which storage time is exceeding the recommended storage time period.
3. Store / transport cartons in the correct direction, which is indicated on a carton with a symbol. Otherwise bent leads may occur due to excessive stress applied when dropping of a carton.
4. Use Products within the specified time after opening a humidity barrier bag. Baking is required before using Products of which storage time is exceeding the recommended storage time period.

Precaution for Product Label

QR code printed on ROHM Products label is for ROHM's internal use only.

Precaution for Disposition

When disposing Products please dispose them properly using an authorized industry waste company.

Precaution for Foreign Exchange and Foreign Trade act

Since our Products might fall under controlled goods prescribed by the applicable foreign exchange and foreign trade act, please consult with ROHM representative in case of export.

Precaution Regarding Intellectual Property Rights

1. All information and data including but not limited to application example contained in this document is for reference only. ROHM does not warrant that foregoing information or data will not infringe any intellectual property rights or any other rights of any third party regarding such information or data. ROHM shall not be in any way responsible or liable for infringement of any intellectual property rights or other damages arising from use of such information or data.:
2. No license, expressly or implied, is granted hereby under any intellectual property rights or other rights of ROHM or any third parties with respect to the information contained in this document.

Other Precaution



1. This document may not be reprinted or reproduced, in whole or in part, without prior written consent of ROHM.
2. The Products may not be disassembled, converted, modified, reproduced or otherwise changed without prior written consent of ROHM.
3. In no event shall you use in any way whatsoever the Products and the related technical information contained in the Products or this document for any military purposes, including but not limited to, the development of mass-destruction weapons.
4. The proper names of companies or products described in this document are trademarks or registered trademarks of ROHM, its affiliated companies or third parties.

General Precaution







1. Before you use our Products, you are requested to carefully read this document and fully understand its contents. ROHM shall not be in any way responsible or liable for failure, malfunction or accident arising from the use of any ROHM's Products against warning, caution or note contained in this document.
2. All information contained in this document is current as of the issuing date and subject to change without any prior notice. Before purchasing or using ROHM's Products, please confirm the latest information with a ROHM sales representative.
3. The information contained in this document is provided on an "as is" basis and ROHM does not warrant that all information contained in this document is accurate and/or error-free. ROHM shall not be in any way responsible or liable for any damages, expenses or losses incurred by you or third parties resulting from inaccuracy or errors of or concerning such information.

Looking for pricing, stock, or lifecycle information?

Click below to explore more details on WIN SOURCE:

-  [View BU9409FV-E2 on WIN SOURCE](#)
-  [Rohm Semiconductor](#) Information

Optimize Your Supply Chain with WIN SOURCE Solutions

-  Global Sourcing Solution
-  Obsolete Management
-  Cost Control Management
-  Shortage Management
-  Alternative Solution
-  Excess Inventory Management