



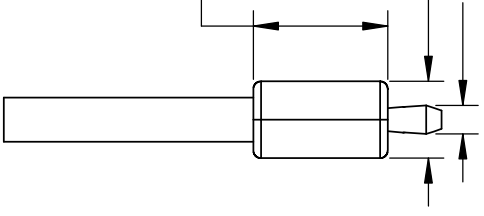
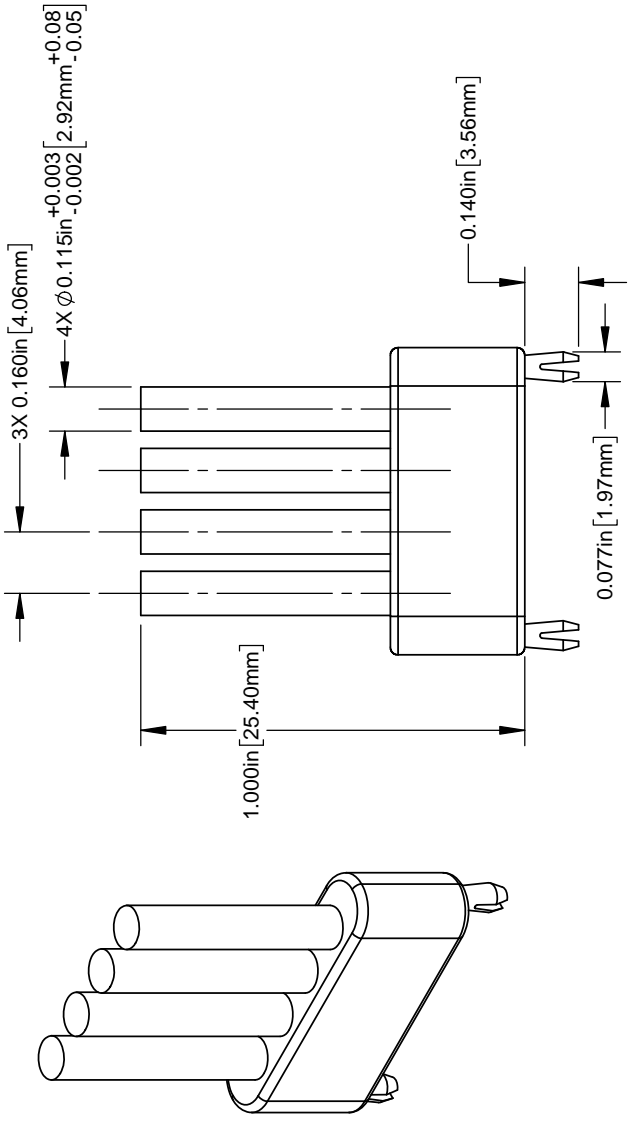
**THE DATASHEET OF
LPAV3-160-1000F-1-4**



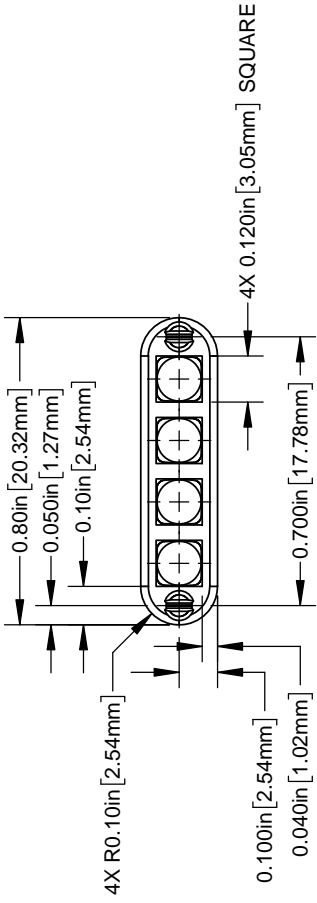
NOTES:

1. GENERAL SPECIFICATIONS: BIVAR MOLDED COMPONENTS SPECIFICATIONS: BV00-E101.
2. MATERIAL: LIGHT PIPE - POLYCARBONATE, 94V-0, CLEAR AND MOUNTING BASE - NYLON 66, 94V-0, BLACK.

| | |
|------|---------------------|
| REV. | DESCR |
| A | Engineering Release |



RECOMMEN
 0.700in±0.003 [17.78mm±0.0
 4X Ø0.0



| | |
|--|---------|
| STANDARD TOLERANCE (UNLESS OTHERWISE SPECIFIED) | |
| DECIMALS | ANGULAR |
| X ±.1 | X° ±1° |
| .XX ±.01 | |
| .XXX ±.005 | |
| DESIGNED: | DATE: |
| K. BARON | 03/19/1 |
| REVISED: | DATE: |
| N/A | N/A |
| CHECKED: | DATE: |
| TD. NGUYEN | 03/19/1 |

Looking for pricing, stock, or lifecycle information?

Click below to explore more details on WIN SOURCE:

- ⊖ [View LPAV3-160-1000F-1-4 on WIN SOURCE](#)
- ⊖ [Bivar Inc. Information](#)

Optimize Your Supply Chain with WIN SOURCE Solutions

- ✓ Global Sourcing Solution
- ✓ Obsolete Management
- ✓ Cost Control Management
- ✓ Shortage Management
- ✓ Alternative Solution
- ✓ Excess Inventory Management