

MATERIALS AND FINISHES

J BODY ZINC ALLOY
PLATED NICKEL

I CENTER CONTACT PHOSPHOR BRONZE
PLATED GOLD

INSULATOR POLYPROPYLENE (94 V-2)

H HOUSING POLYESTER BUTLYENE TEREPHTHALATE
COLOR WHITE

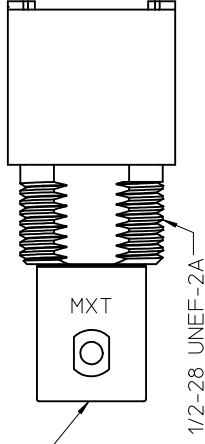
MOUNTING POST BRASS
PLATED TIN

G SOLDER TAIL BRASS WIRE
PLATED TIN

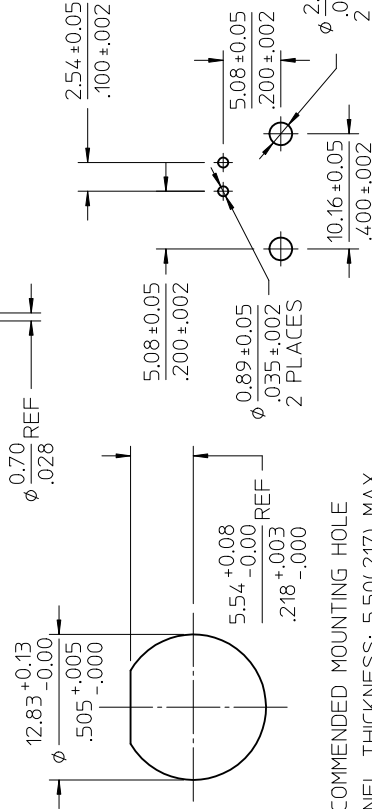
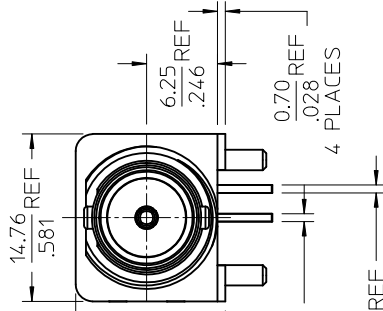
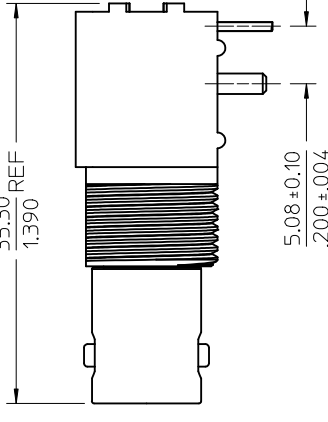
F LOCKWASHER PHOSPHOR BRONZE
PLATED NICKEL

JAM NUT BRASS
PLATED NICKEL

RECOMMENDED MOUNTING HOLE
PANEL THICKNESS: 5.50(.217) MAX
RECOMMENDED MOUNTING TORQUE:
0.56 N-m(5 INCH-LBS)



1/2-28 UNEF-2A



RECOMMENDED PCB LAYOUT

PS-89675-1030	ELECT / MECH
SPECIFICATION	DESCRIPTION

73171-2990	73100-0069, ONE PER BAG
73100-0069	PLASTIC TRAYS
PART NO.	PACKAGING

PS-73598-0051 CHG: PS WAS FC NO: URF2012-0549 DRWN: JWI/ENR 2012/03/14 CHKD: SSS 2012/03/14 APP: JWI/ENR 2012/03/20	REV	A2	DESCRIPTION
	QUALITY SYMBOLS	GENERAL TOLERANCES (UNLESS SPECIFIED)	DIMENSION STYLE
▲=0	4 PLACES ±	MM	MM/IN
▽=0	3 PLACES ±	INCH	
	2 PLACES ±	±	
	1 PLACE ±	±	
	ANGULAR ± 2 °		
	DRAFT WHERE APPLICABLE MUST REMAIN WITHIN DIMENSIONS		
	MATERIAL NO.		SEE TABLE
	SIZE		THIS DRAWING CONTAINS INCORPORATED AND SH

Looking for pricing, stock, or lifecycle information?

Click below to explore more details on WIN SOURCE:

 [View 731000069 on WIN SOURCE](#)

 [Molex, LLC Information](#)

Optimize Your Supply Chain with WIN SOURCE Solutions

-  Global Sourcing Solution
-  Obsolete Management
-  Cost Control Management
-  Shortage Management
-  Alternative Solution
-  Excess Inventory Management