



**THE DATASHEET OF  
NX3215SA-32.768K-STD-MUS-2**



## NX3215SA

For OA / AV / Mobile Communication / Automotives

### ■ Features

- Compact, thin, and light weight tuning fork crystal unit.
- Excellent electric performance optimum for mobile communications, OA (office automation) and AV (audiovisual) applications are exhibited. (For OA / AV / Mobile Communication)
- Excellent heat resistance and environmental characteristics. (For Automotives)
- Meet the requirements for re-flow profiling using lead-free solder.
- Conforms to AEC-Q200. (For Automotives)

Pb Free

RoHS Compliant  
Directive 2011/65/EU  
Directive (EU) 2015/863



### ■ Specifications

Item	Model	NX3215SA					
		Standard			Optional		
Standard		For OA / AV / Mobile Communication			For Automotive		
Main Application		For OA / AV / Mobile Communication			For Automotive		
Nominal Frequency (kHz)		32.768					
Operating Temperature Range (°C)		-40 to +85			-40 to +125		
Storage Temperature Range (°C)		-40 to +85			-40 to +125		
Level of Drive (µW)		0.1 (Max. 0.5)					
Frequency Tolerance (25 ±3 °C)		±20 × 10 <sup>-6</sup>					
Turning Point (°C)		+25 ± 5					
Temperature Coefficient (1/°C <sup>2</sup> )		Max. -0.04 × 10 <sup>-6</sup>					
Load Capacitance (pF)		6.0	9.0	12.5	6.0	9.0	12.5
Equivalent Series Resistance (kΩ)		Max. 70			Max. 80		
Shunt Capacitance (pF)		Typ. 1.0 / Max.1.5					
Insulation Resistance (MΩ)		Min. 500					
Specifications Number		STD-MUA-14	STD-MUA-9	STD-MUA-8	STD-MUS-4	STD-MUS-3	STD-MUS-2
		Refer to *2					

Please specify the model name, frequency, and specification number when you order products.

For further questions regarding specifications, please feel free to contact us.

\*1 If you have any other requests, NDK will study it.

\*2 Ordering information: Overtone Order Fundamental, the Operating Temperature Range, Frequency Tolerance, and Load Capacitance.

Ex. Model, Frequency (32.768000kHz 6digits),

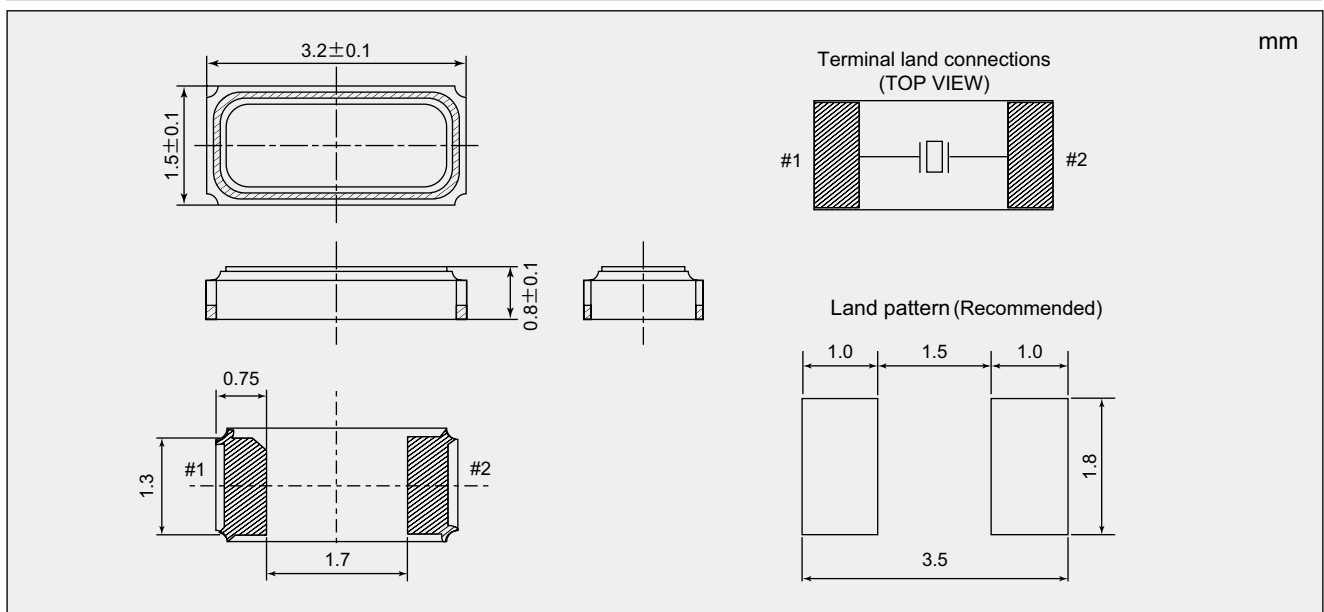
S1:Fundamental - Operating Range(-40 to +85°C) - Frequency Tolerance(±20×10<sup>-6</sup>) - Load Capacitance (9pF)

NX3215SA

32.768000kHz

S1-4085-20-9

### ■ Dimensions



## Looking for pricing, stock, or lifecycle information?

Click below to explore more details on WIN SOURCE:

-  [View NX3215SA-32.768K-STD-MUS-2 on WIN SOURCE](#)
-  [NDK Information](#)

## Optimize Your Supply Chain with WIN SOURCE Solutions

-  Global Sourcing Solution
-  Obsolete Management
-  Cost Control Management
-  Shortage Management
-  Alternative Solution
-  Excess Inventory Management