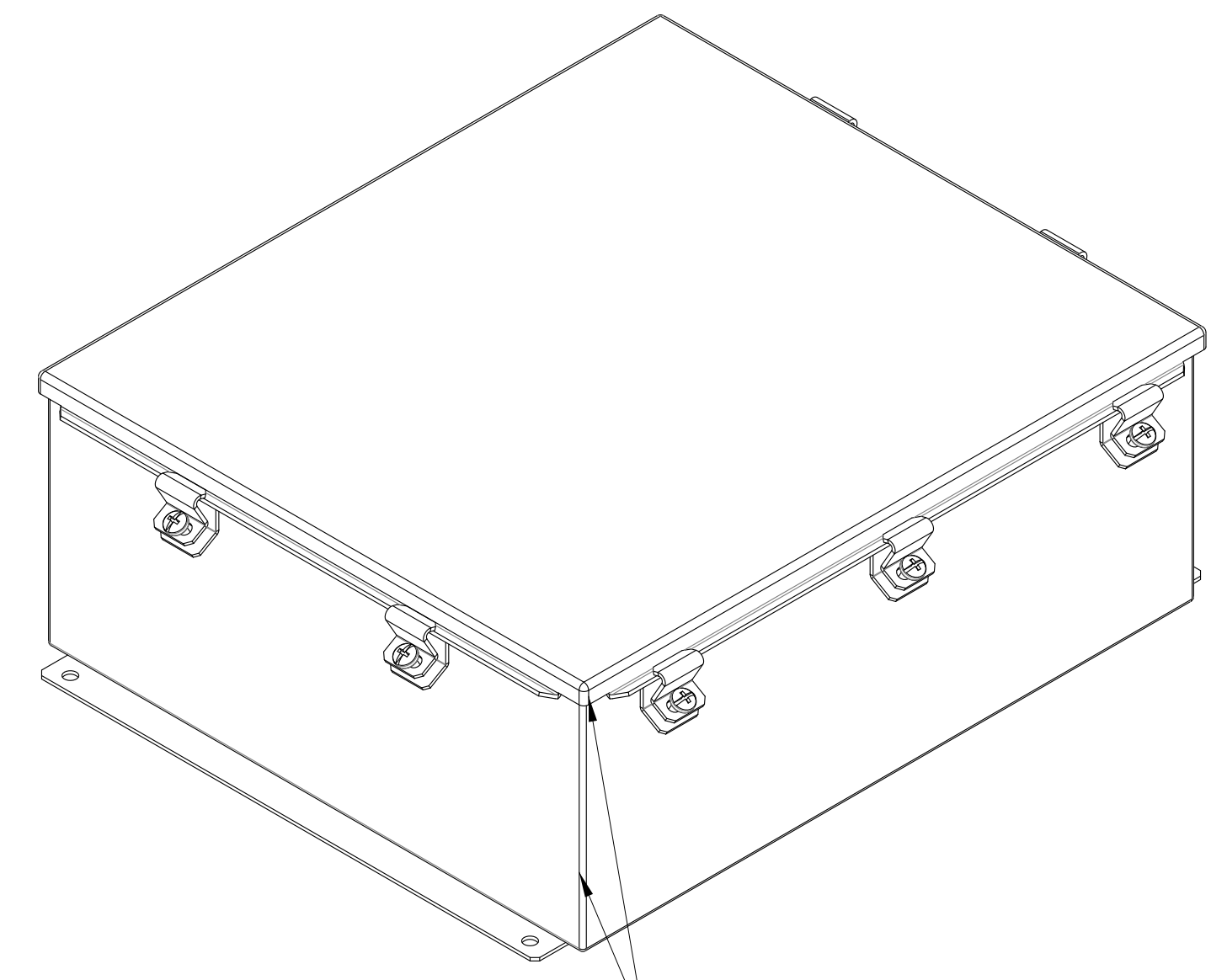




**THE DATASHEET OF  
SN-3701**

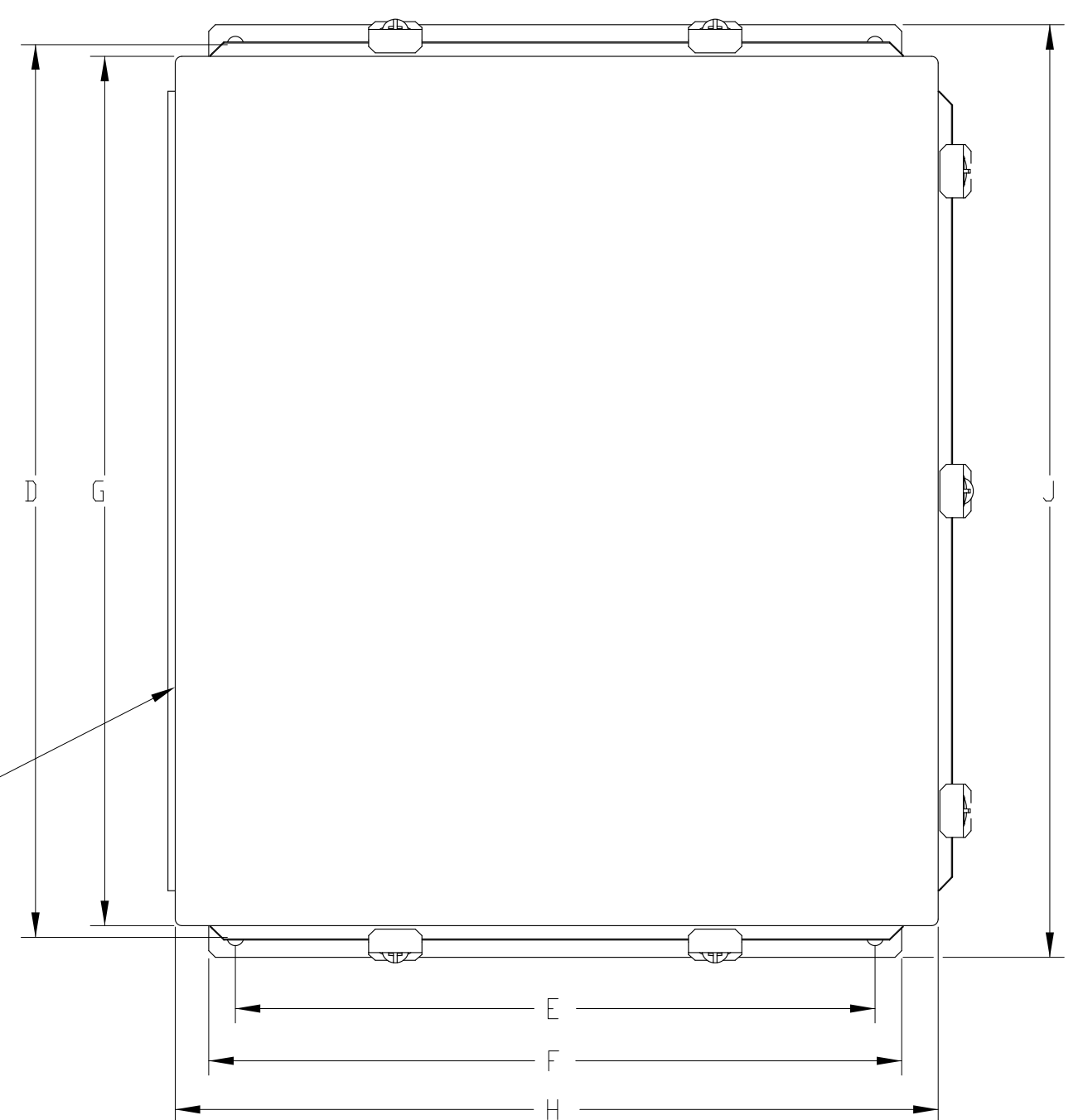


THE INFORMATION CONTAINED IN THIS DRAWING IS THE SOLE PROPERTY OF BUD INDUSTRIES, INC. ANY REPRODUCTION IN PART OR WHOLE WITHOUT THE WRITTEN PERMISSION OF BUD INDUSTRIES, INC. IS PROHIBITED.

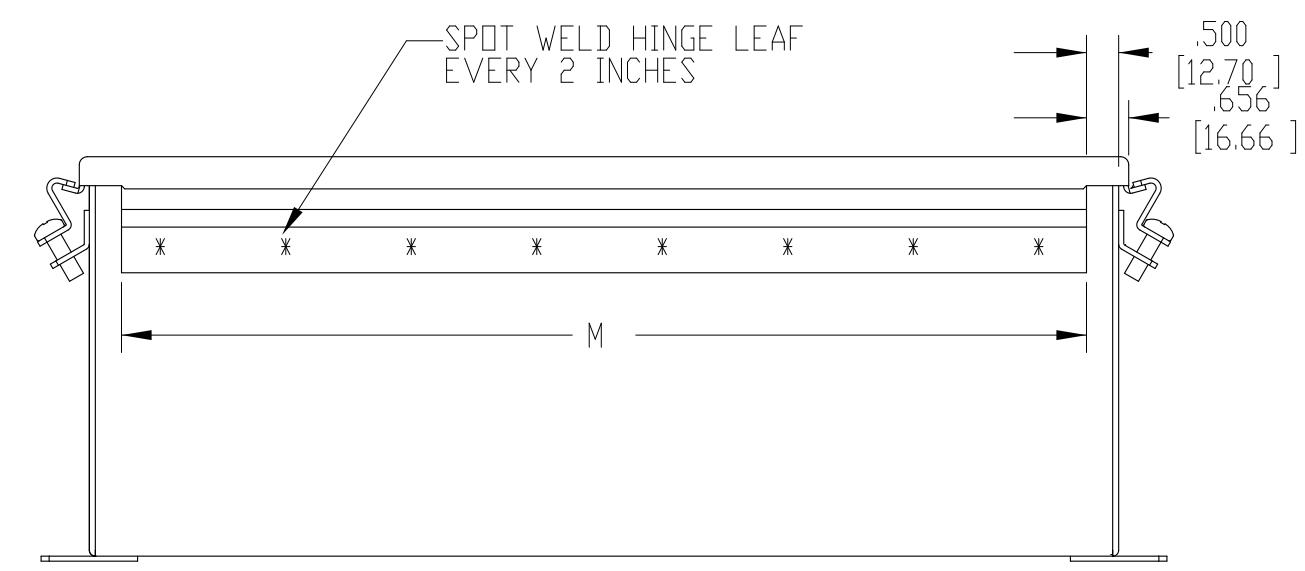


TEST ALL CORNER WELDS TO VERIFY CONTINUOUS SEAM WELD QUALITY

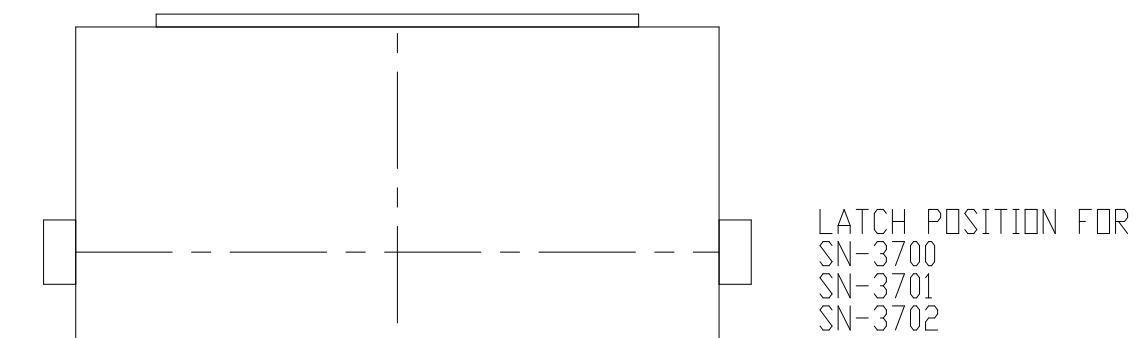
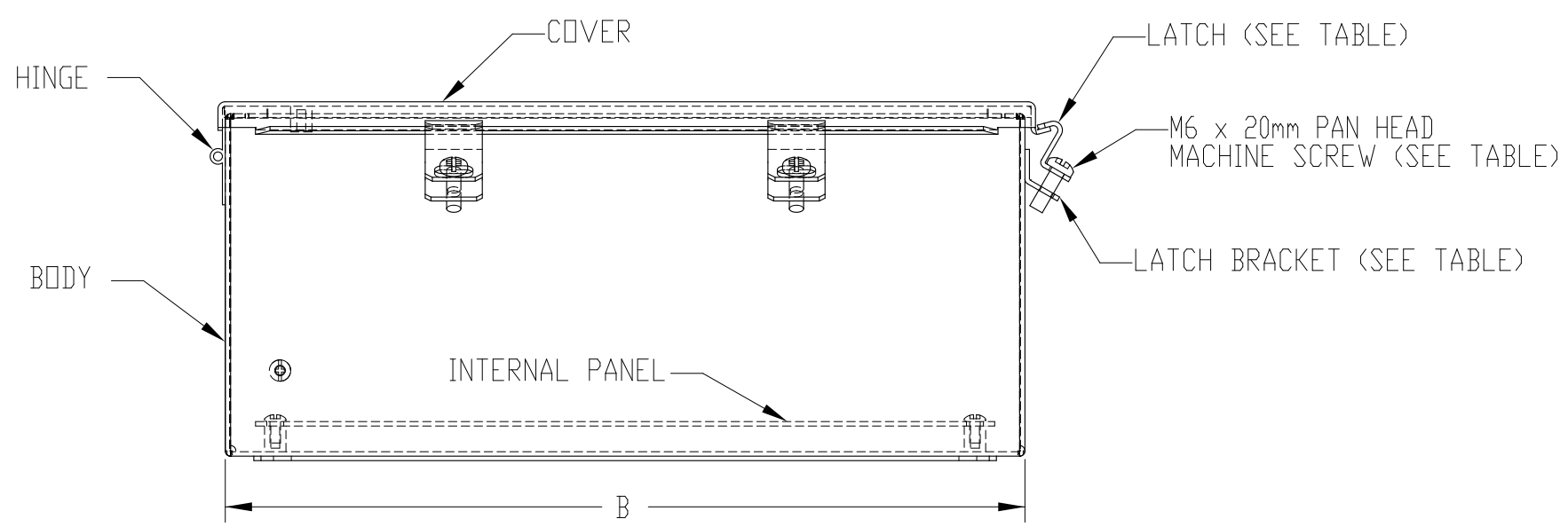
F



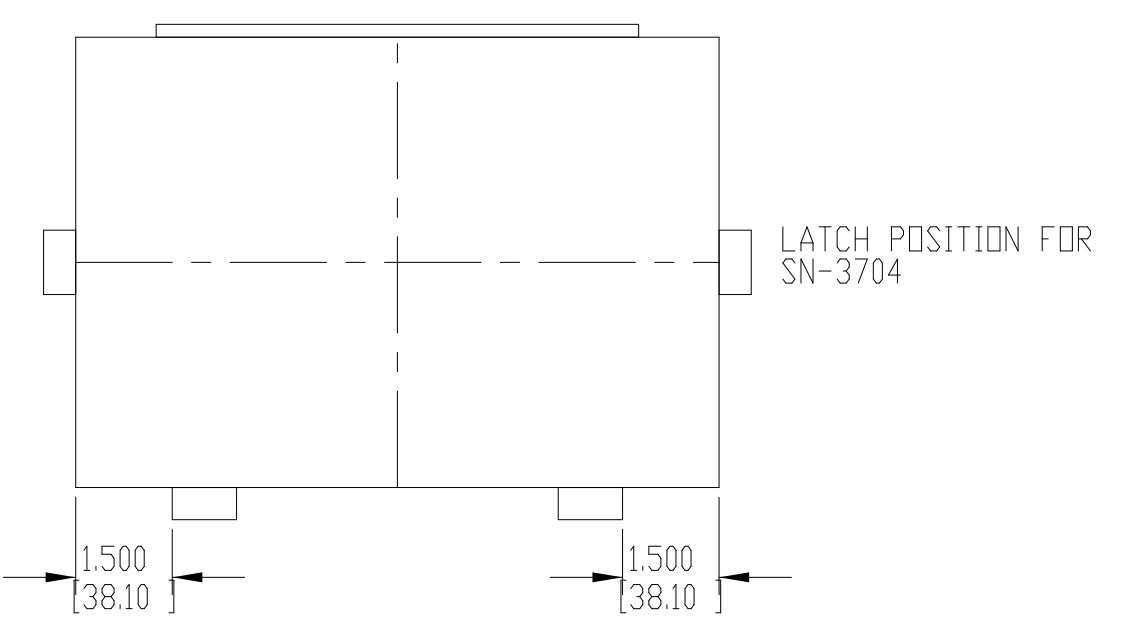
HINGE SIDE



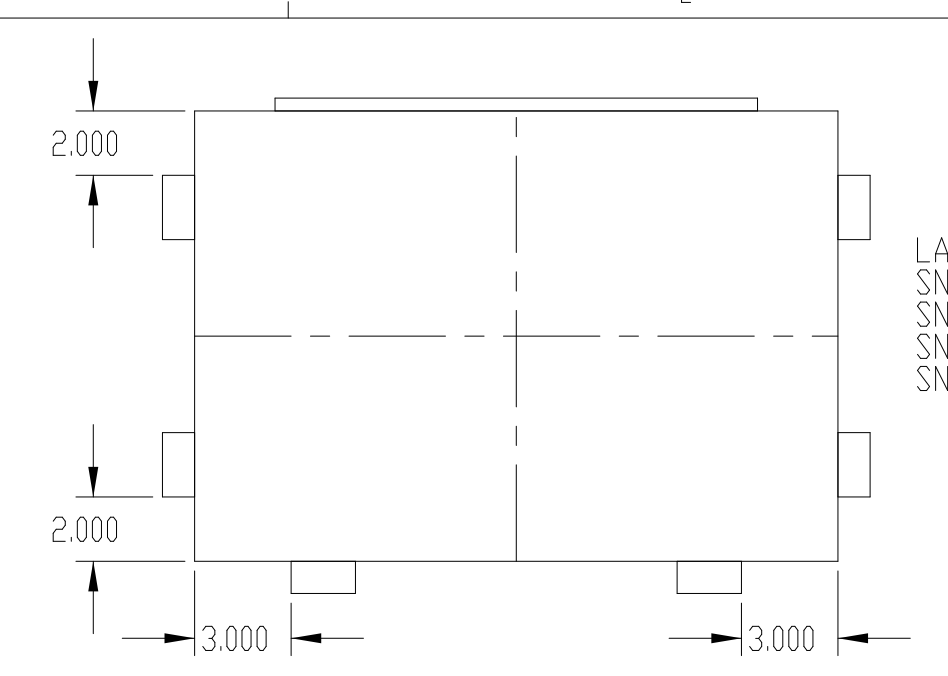
SPOT WELD HINGE LEAF EVERY 2 INCHES



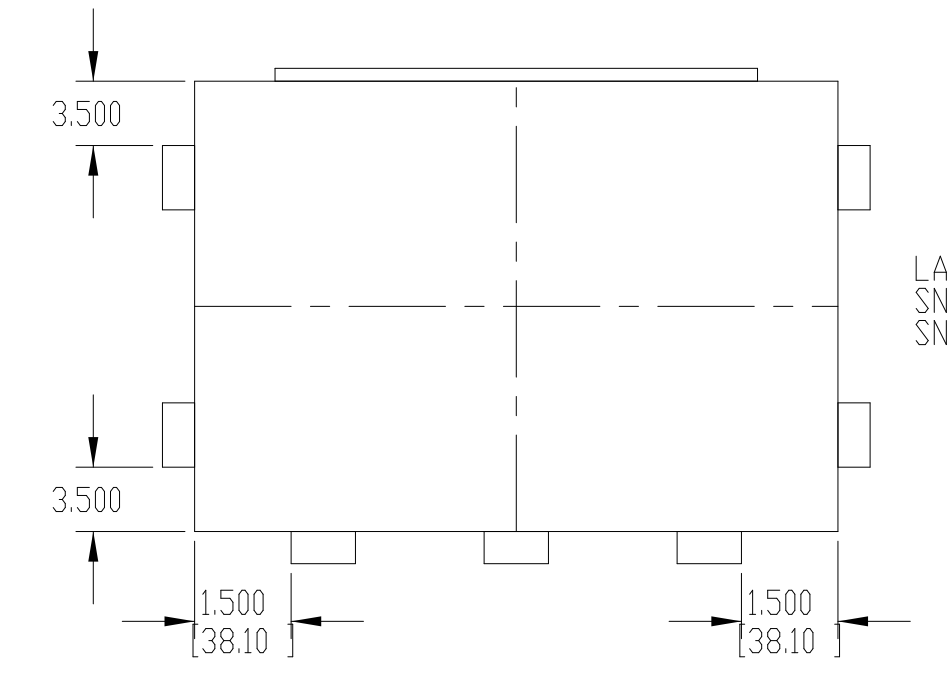
LATCH POSITION FOR SN-3700 SN-3701 SN-3702



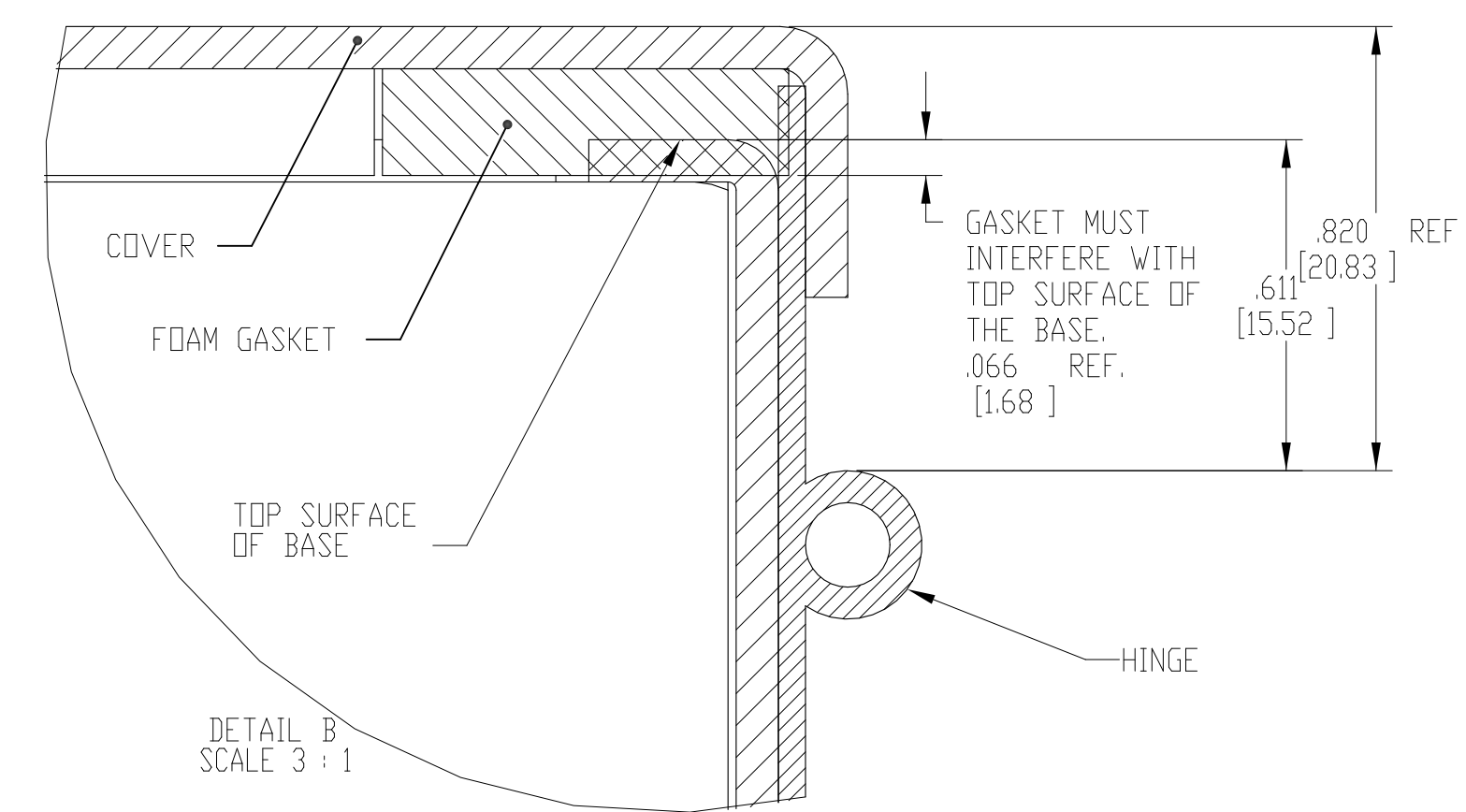
LATCH POSITION FOR SN-3704



LATCH POSITION FOR SN-3703 SN-3705 SN-3706 SN-3708

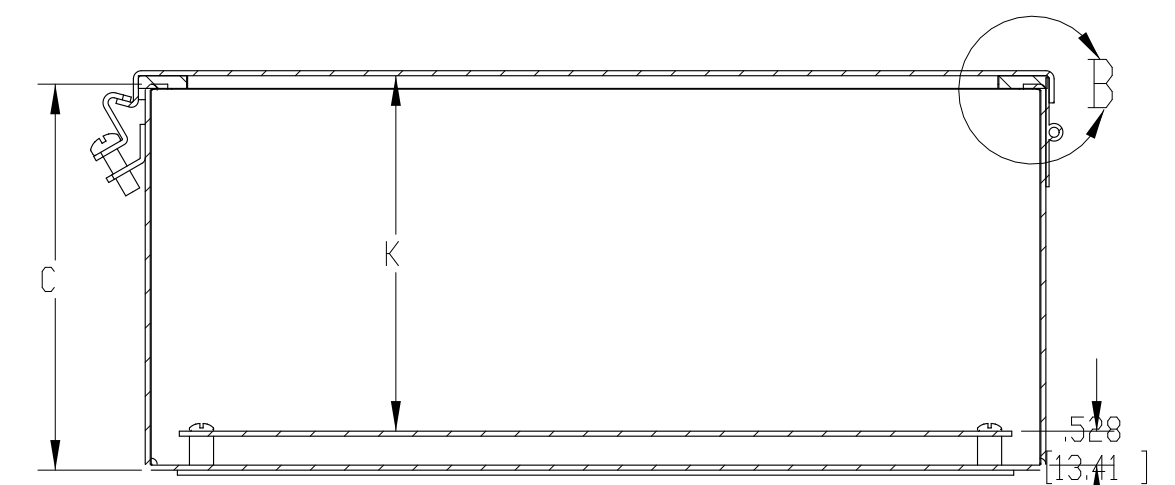
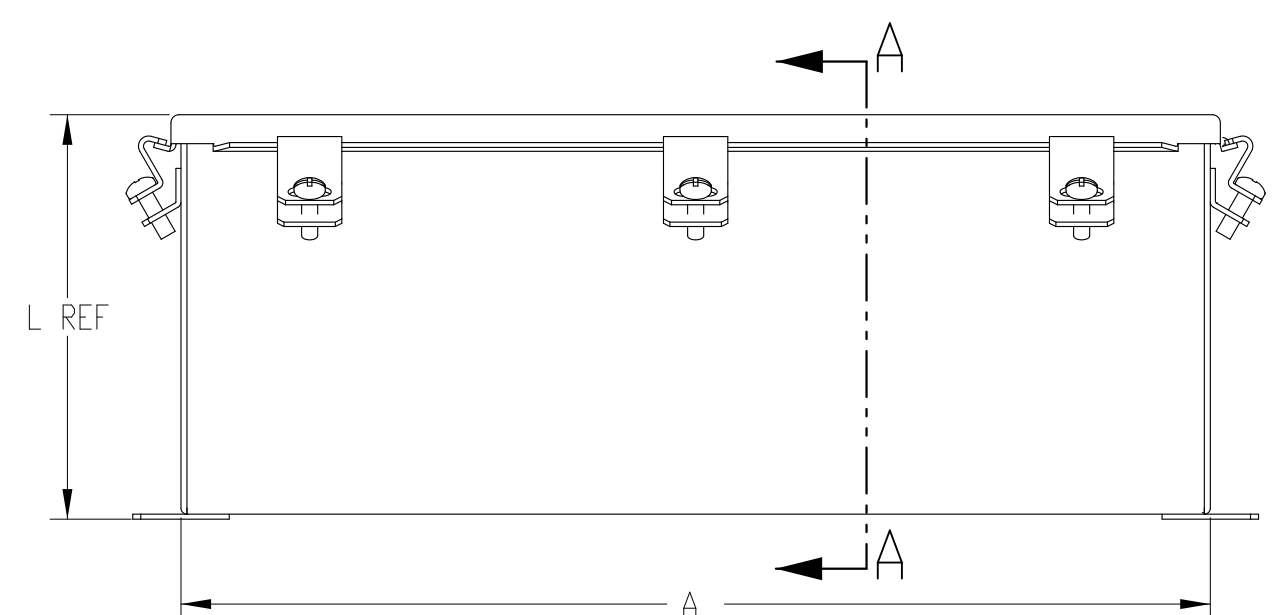


LATCH POSITION FOR SN-3707 SN-3709



DETAIL B SCALE 3 : 1

GASKET MUST INTERFERE WITH TOP SURFACE OF THE BASE. .820 REF [20.83] .61 [15.52] .066 REF [1.68]



SECTION A-A

G

PART #	A	B	C	D	E	F	G	H	J	K	L	M	PANEL SIZE	# OF BRACKETS, SCREWS/LATCHES
SN-3700	8.00[152.4]	4.00[101.6]	3.00[76.2]	8.75[171.5]	2.00[50.8]	3.00[76.2]	6.31[160.2]	4.31[109.5]	7.50[190.5]	2.52[64]	3.25[82.6]	5[127]	4.90 X 2.90	3
SN-3701	8.00[203.2]	6.00[152.4]	3.50[88.9]	8.75[222.3]	4.00[101.6]	5.00[127]	8.31[211.1]	6.31[160.3]	9.50[241.3]	3.02[76.7]	3.75[96.3]	7[179]	6.90 X 4.90	3
SN-3702	8.00[152.4]	6.00[152.4]	4.00[101.6]	8.75[171.5]	4.00[101.6]	5.00[127]	6.31[160.2]	6.31[160.3]	7.50[190.5]	3.52[89.4]	4.25[108]	5[127]	4.90 X 4.90	3
SN-3703	12.00[304.8]	10.00[254]	5.00[127]	12.75[323.9]	8.00[203.2]	9.00[228.6]	12.31[312.7]	10.31[261.9]	13.50[342.9]	4.52[114.8]	5.25[133.4]	11[279.4]	10.90 X 8.90	6
SN-3704	10.00[254]	8.00[203.2]	6.00[152.4]	10.75[273]	6.00[152.4]	7.00[177.8]	10.31[261.9]	8.31[211.1]	11.50[292.1]	5.52[140.2]	6.25[158.8]	9[228.6]	8.90 X 6.90	4
SN-3705	12.00[304.8]	12.00[304.8]	6.00[152.4]	12.75[323.9]	10.00[254]	11.00[279.4]	12.31[312.7]	12.31[312.7]	13.50[342.9]	5.52[140.2]	6.25[158.8]	11[279.4]	10.90 X 10.90	6
SN-3706	14.00[355.6]	12.00[304.8]	6.00[152.4]	14.75[374.6]	10.00[254]	11.00[279.4]	14.31[363.5]	12.31[312.7]	15.50[393.7]	5.52[140.2]	6.25[158.8]	13[330.2]	12.90 X 10.90	6
SN-3707	16.00[406.4]	14.00[355.6]	6.00[152.4]	16.75[425.5]	12.00[304.8]	13.00[330.2]	16.31[414.3]	14.31[363.5]	17.5[444.5]	5.52[140.2]	6.25[158.8]	15[381]	14.90 X 12.90	7
SN-3708	14.00[355.6]	12.00[304.8]	8.00[203.2]	14.75[374.6]	10.00[254]	11.00[279.4]	14.31[363.5]	12.31[312.7]	15.50[393.7]	7.52[191]	8.25[209.6]	13[330.2]	12.90 X 10.90	6
SN-3709	16.00[406.4]	14.00[355.6]	10.00[254]	16.75[425.5]	12.00[304.8]	13.00[330.2]	16.31[414.3]	14.31[363.5]	17.50[444.7]	9.52[241.8]	10.25[260.4]	15[381]	14.90 X 12.90	7

MATERIAL:  
 BODY, MOUNTING BRACKETS, COVER & INTERNAL PANEL - 14 GA. STEEL  
 LATCHES - 14 GA. STAINLESS STEEL  
 LATCH BRACKETS - 18 GA. STAINLESS STEEL  
 CONTINUOUS HINGE - 18 GA. STEEL WITH Ø .125 STEEL PIN  
 GASKET - ROGERS CORPORATION PORDN 4701-41-15250 3M 9832  
 CLOSED CELL URETHANE FOAM WITH ADHESIVE ON ONE SIDE.  
 SCREWS - STAINLESS STEEL

FINISH:  
 ENCLOSURE, INTERNAL PANEL - SMOOTH GRAY POWDERCOAT  
 DUPONT POWDER COATINGS PART NO. PFH-502-S8 DR EQUIVALENT  
 UL TYPE DTV2 COATING TO BE APPLIED AND BAKED AT 8-10 MIN.  
 AT 400°F. TO A MINIMUM DRY FILM THICKNESS OF 1.5 MILS (0.0015 IN.)  
 LATCHES & SCREWS - NATURAL

DIMENSIONS ARE INCH[MM]

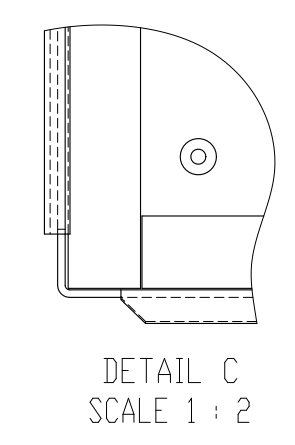
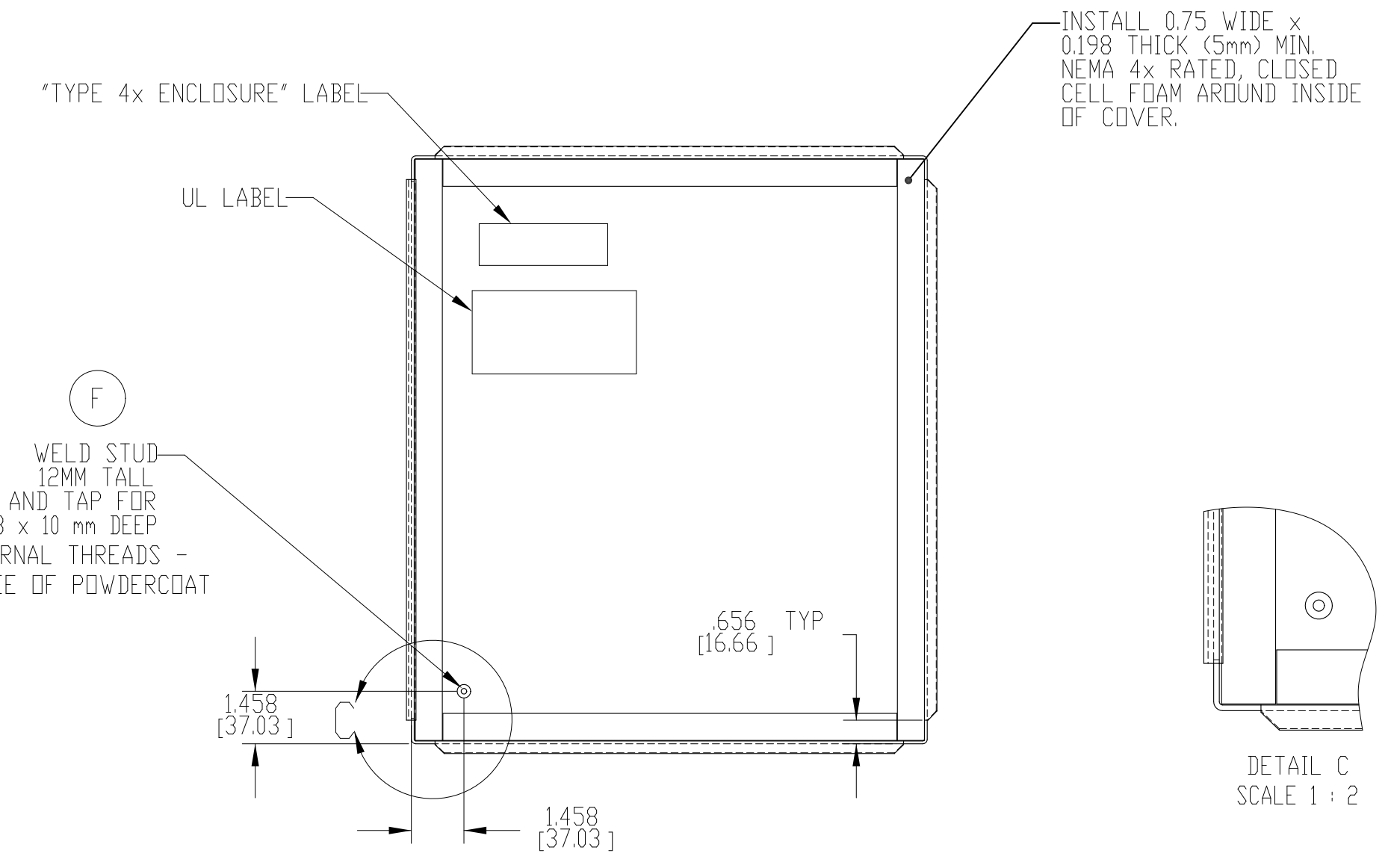
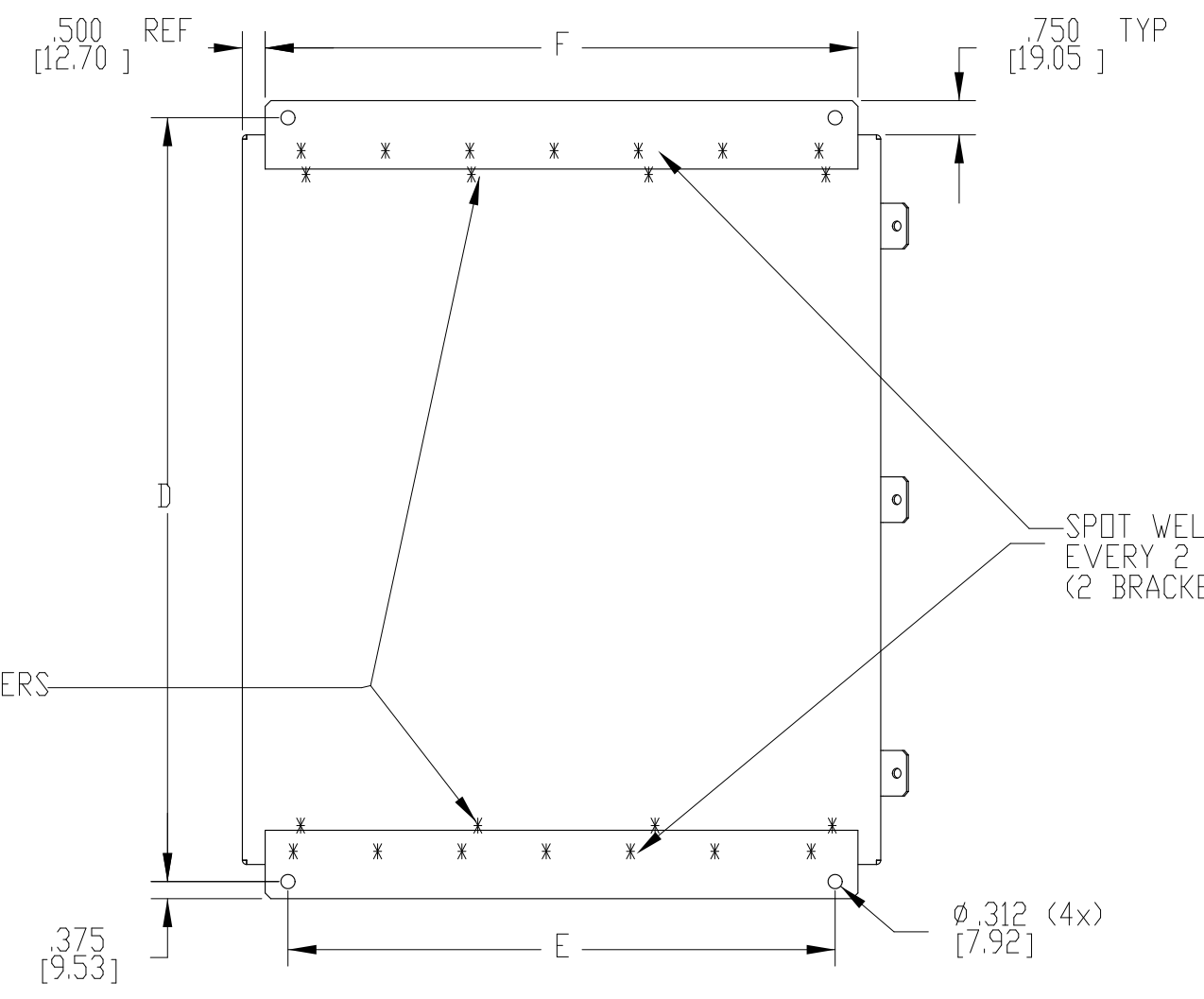
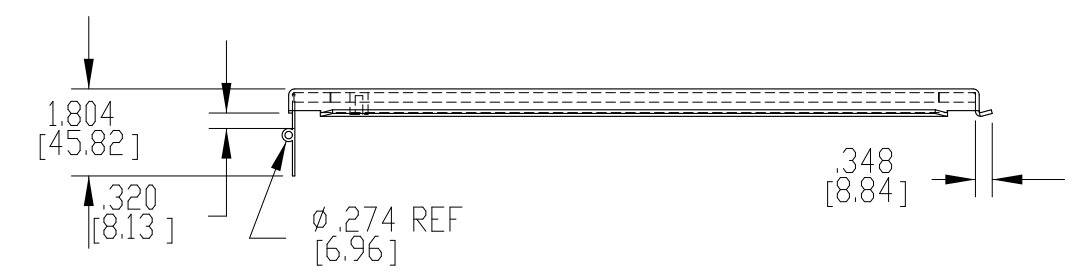
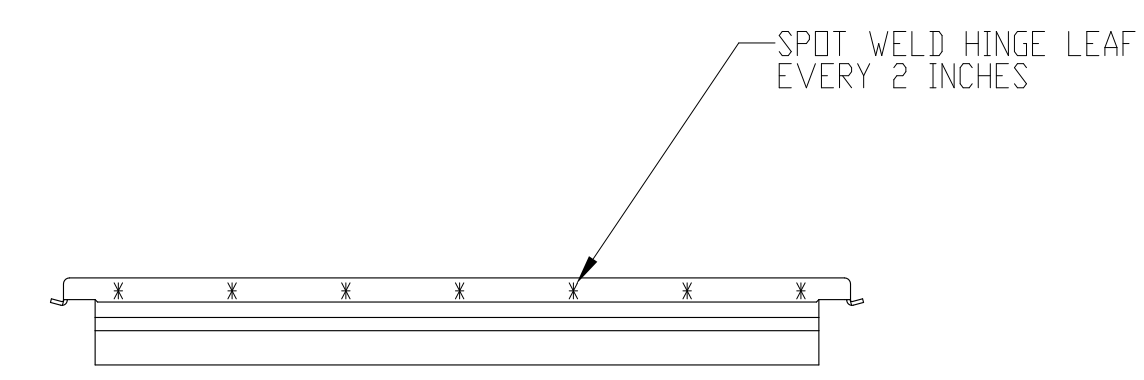
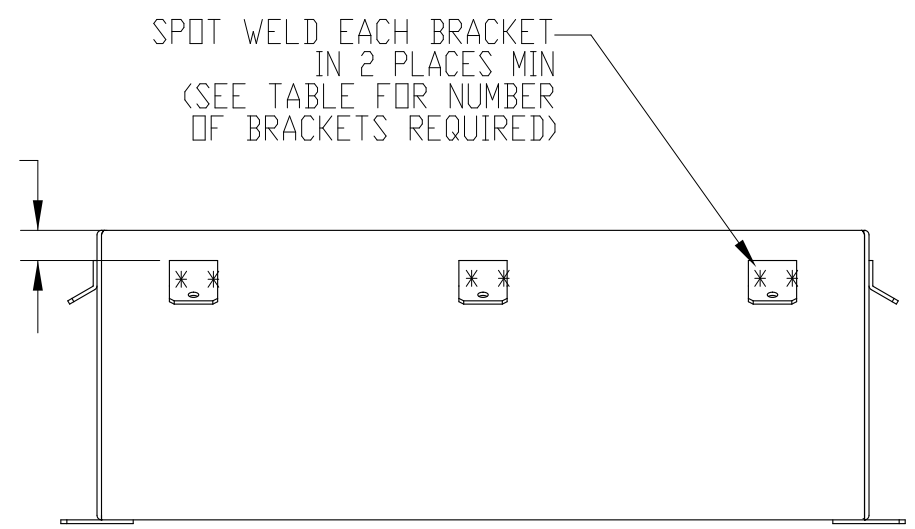
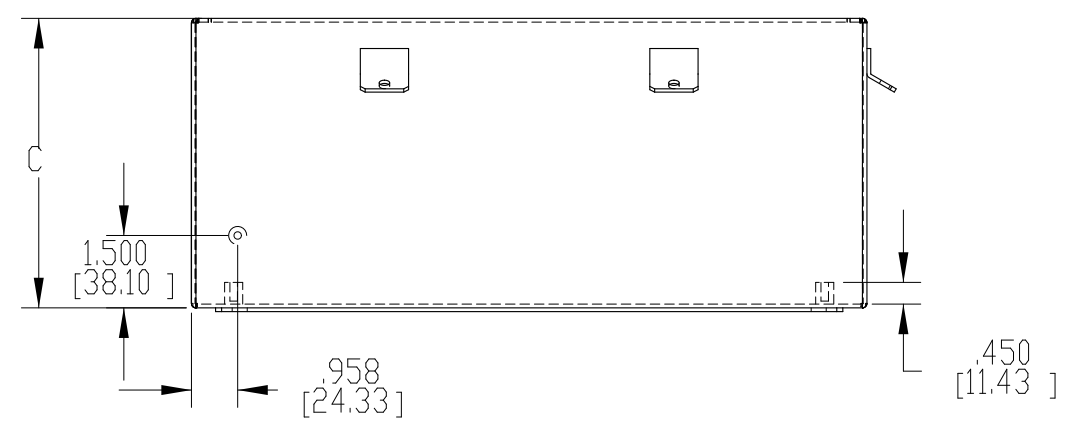
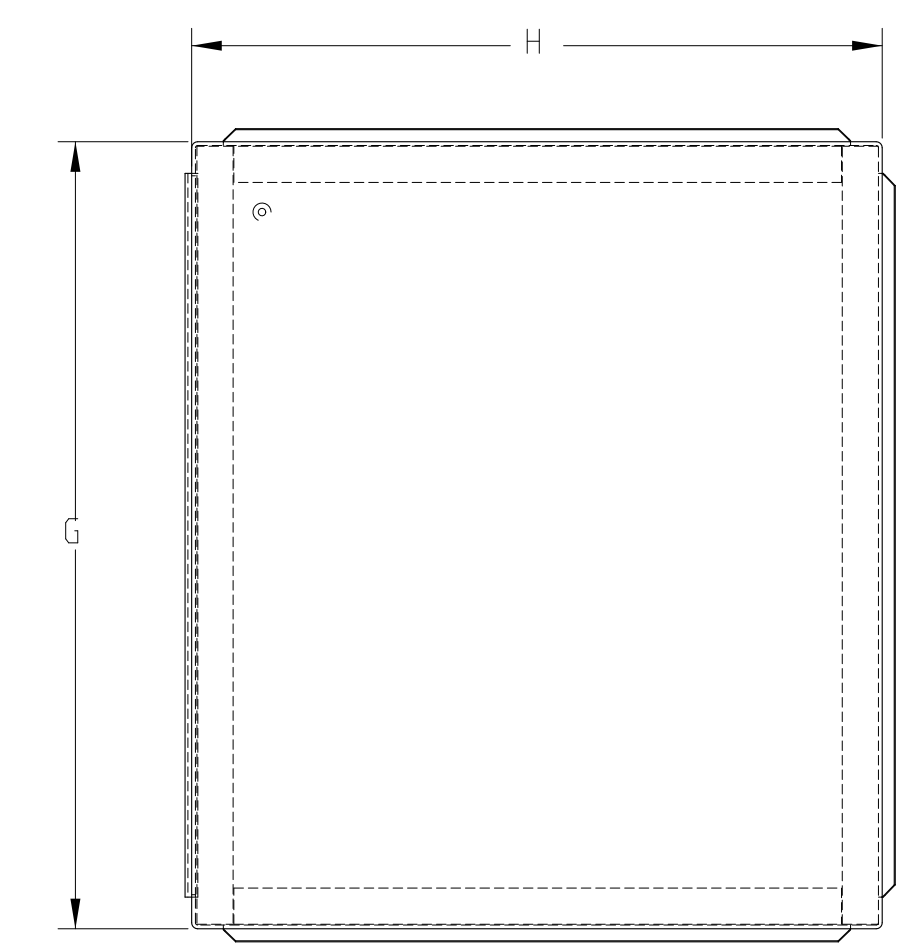
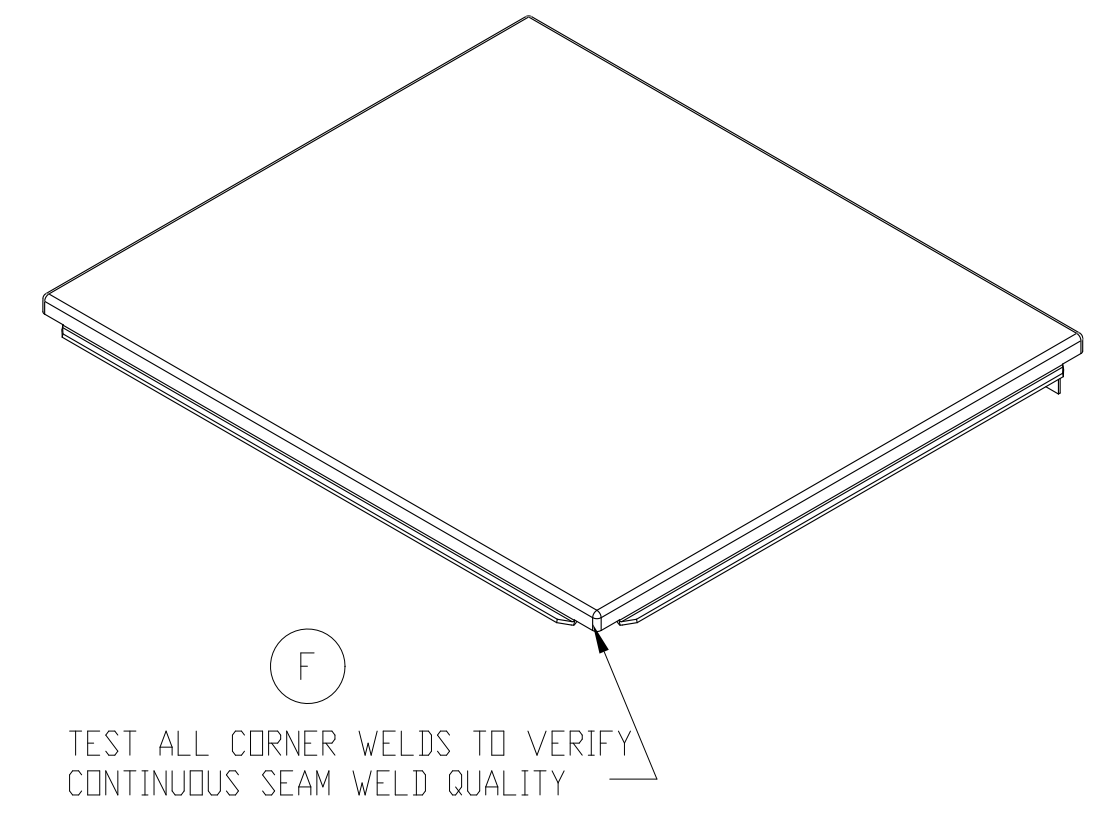
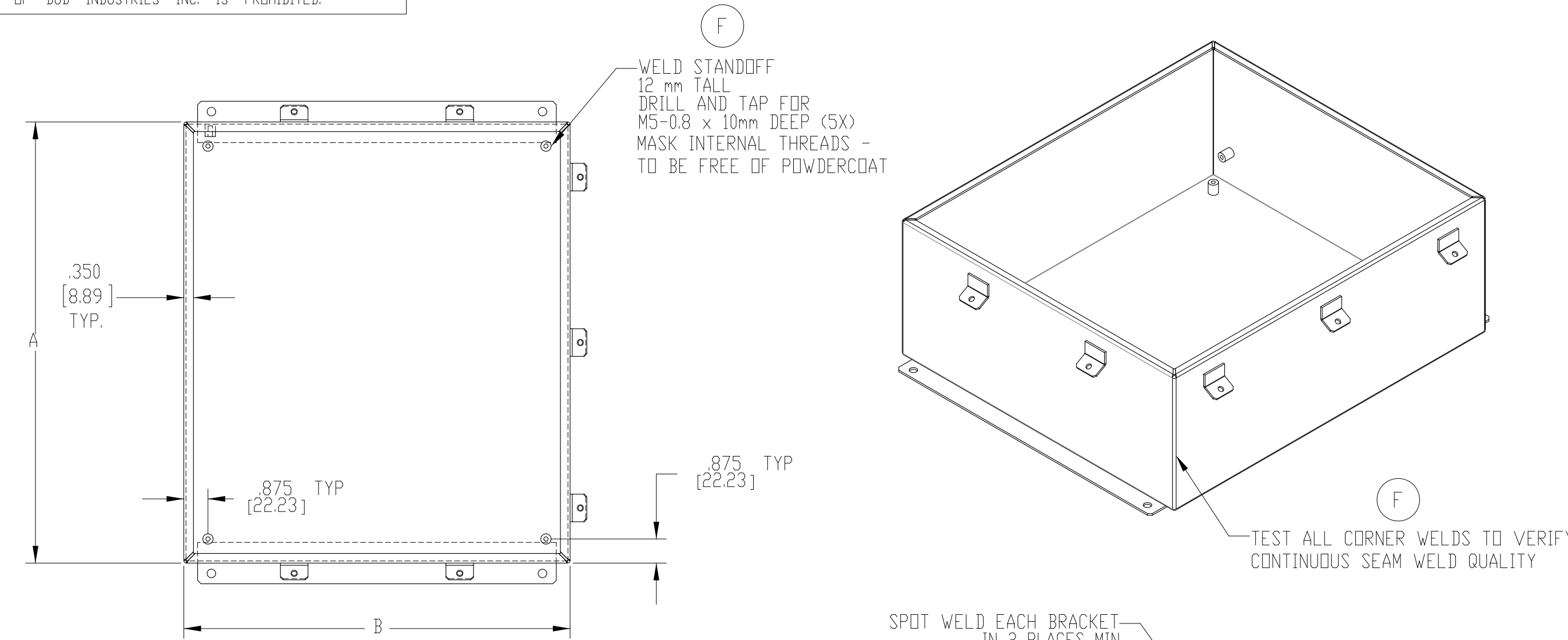
TOLERANCE		PARTS LIST	
UNLESS OTHERWISE SPECIFIED	±.039 [1.0mm]	DATE	1-3-06
MATERIAL	AS NOTED	SCALE	AS FILED
FINISH	AS NOTED	SHEET NO.	SN-3700
DO NOT SCALE DRAWING		SHEET 1 OF	

G

ISSUE	REVISIONS
(A)	ADDED LATCH DETAILS 3-1-06
(B)	UPDATED COVER ASSY, UPDATED COVER LOCATION 5-4-06 DP
(C)	UPDATED WELD INFO, HINGE AND LATCH LOCATION. ADDED DETAIL B. UPDATED PART NUMBERS 5-16-06 DP
(D)	UPDATED HARDWARE INFO. 6-28-06 DP
(E)	ADDED LABELS 8-3-06 DP
(F)	ADDED NOTES & UPDATED STANDOFF IN COVER, AND ADD TACK WELDS TO MTG BRACKETS 6/24/15 SS
(G)	ADD PANEL SIZES, UPDATE TOLERANCE BLOCK, AND ADD DUAL DIMENSIONS. ECN 11145 (REV F INCLUDED WITH THIS ECN) 6/30/15 SS

THE INFORMATION CONTAINED IN THIS DRAWING IS THE SOLE PROPERTY OF BUD INDUSTRIES, INC. ANY REPRODUCTION IN PART OR WHOLE WITHOUT THE WRITTEN PERMISSION OF BUD INDUSTRIES, INC. IS PROHIBITED.

FIG. NO.	SN-3700
ISSUE	REVISIONS
	SEE SHEET 1



ADDITIONAL TACK WELD EDGE OF MOUNTING BRACKETS TO BODY EQUALLY SPACED 3 PLACES ON 3700-BA 4 PLACES ON ALL OTHERS

BODY ASSEMBLY						
PART NUMBER	A	B	C	D	E	F
3700-BA	6[152.4]	4[101.6]	3[76.2]	6.75[171.5]	2[50.8]	3[76.2]
3701-BA	8[203.2]	6[152.4]	3.5[88.9]	8.75[222.3]	4[101.6]	5[127]
3702-BA	6[152.4]	6[152.4]	4[101.6]	6.75[171.5]	4[101.6]	5[127]
3703-BA	12[304.8]	10[254]	5[127]	12.75[323.9]	8[203.2]	9[228.6]
3704-BA	10[254]	8[203.2]	6[152.4]	10.75[273]	6[152.4]	7[177.8]
3705-BA	12[304.8]	12[304.8]	6[152.4]	12.75[323.9]	10[254]	11[279.4]
3706-BA	14[355.6]	12[304.8]	6[152.4]	14.75[374.7]	10[254]	11[279.4]
3707-BA	16[406.4]	14[355.6]	6[152.4]	16.75[425.5]	12[304.8]	13[330.2]
3708-BA	14[355.6]	12[304.8]	8[203.2]	14.75[374.7]	10[254]	11[279.4]
3709-BA	16[406.4]	14[355.6]	10[254]	16.75[425.5]	12[304.8]	13[330.2]


COVER ASSEMBLY		
PART NUMBER	G	H
3700-CA	6.31[160.3]	4.31[109.5]
3701-CA	8.31[211.1]	6.31[160.3]
3702-CA	6.31[160.3]	6.31[160.3]
3703-CA	12.31[312.7]	10.31[261.9]
3704-CA	10.31[261.9]	8.31[211.1]
3705-CA	12.31[312.7]	12.31[312.7]
3706-CA	14.31[363.5]	12.31[312.7]
3707-CA	16.31[414.3]	14.31[363.5]
3708-CA	14.31[363.5]	12.31[312.7]
3709-CA	16.31[414.3]	14.31[363.5]

PARTS LIST			
TOLERANCE	CAD GENERATED DRAWING. DO NOT MANUALLY UPDATE.	APPROVALS	DATE
UNLESS OTHERWISE SPECIFIED		DP	1-3-06
MATERIAL	AS NOTED	CHECKED	
FINISH	AS NOTED	APPROVED	
QTY.	USED ON	SCALE	REV. G

BUD INDUSTRIES INC.  
NEMA STEEL METAL BOX  
DRAWING NO. SN-3700  
SCALE: 1:1  
SHEET 2 OF 2

## Looking for pricing, stock, or lifecycle information?

Click below to explore more details on WIN SOURCE:

 [View SN-3701 on WIN SOURCE](#)

 [Bud Industries](#) Information

## Optimize Your Supply Chain with WIN SOURCE Solutions

-  Global Sourcing Solution
-  Obsolete Management
-  Cost Control Management
-  Shortage Management
-  Alternative Solution
-  Excess Inventory Management