

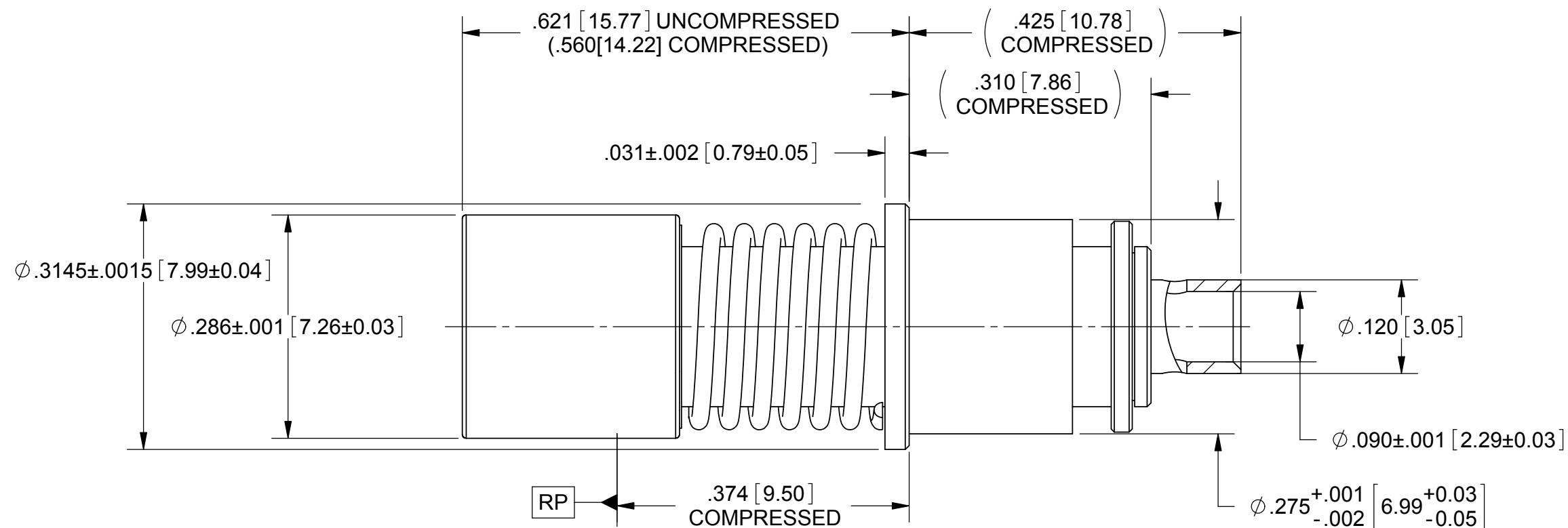


**THE DATASHEET OF  
SF9411-6000**



# PRODUCT DATA DRAWING

REVISION HISTORY			
REV	DESCRIPTION	DATE	APPROVED
B	REV. DCN 3966	08/01/13	PJS



**MATERIAL:**

**BODY, FERRULE & SLEEVE:**

STAINLESS STEEL PER AMS-5640, ALLOY UNS S30300, TYPE 1  
BRASS PER ASTM B16 ALLOY UNS No. 36000

**FERRULE: CONTACT RET. RING:**

BERYLLIUM COPPER PER ASTM B196, ALLOY No. UNS C17300, TD04

**INSULATOR: SPRING:**

PTFE PER ASTM D1710, TYPE I, GRADE 1, CLASS B  
STAINLESS STEEL PER ASTM A313, TYPE 631 ALLOY No. UNS17700.

**FINISH:**

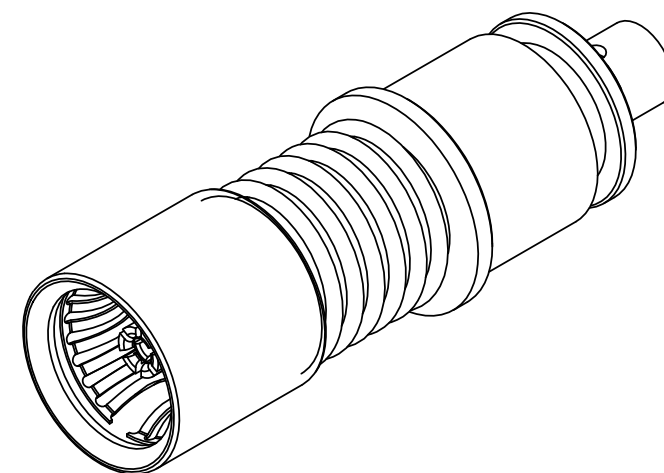
**BODY, SLEEVE, & SPRING: CONTACT & FERRULE:**

PASSIVATED PER AMS-2700, TYPE 2.  
GOLD PER ASTM B488, TYPE II, CODE C, CLASS 1.27; OVER NICKEL PER AMS-QQ-N-290, CLASS 1, .00005" MIN.  
NICKEL PER AMS-QQ-N-290.

**RET. RING:**

**PERFORMANCE:**

**IMPEDANCE:** 50 OHMS  
**FREQ. RANGE:** DC TO 26.5 GHz  
**VSWR:** 1.30:1 DC TO 26.5 GHz  
**INSERTION LOSS:** .06 X SQRT(F(F IN GHz))  
**DWV:** 1000 VRMS  
**OPERATING TEMP.:** -55 °C TO +125 °C



MATERIAL: SEE NOTES	DIMENSIONS ARE IN INCHES TOLERANCES: FRACTIONAL: ±1/64 ANGULAR: X° ±1'0" X'X' ±15'	UNLESS OTHERWISE SPECIFIED 1) ALL DIMENSIONS ARE IN INCHES (MILLIMETERS) 2) ALL DIMENSIONS ARE AFTER PLATING. 3) BREAK CORNERS & EDGES .005 R. MAX. 4) CHAM. 1ST & LAST THREADS. 5) SURFACE ROUGHNESS 63-MIL-STD-10. 6) DIA.'S ON COMMON CENTERS TO BE CONCENTRIC WITHIN .005 T.I.R. 7) REMOVE ALL BURRS	<b>SV Microwave, Inc.</b> 2400 Centrepark West Drive, Suite 100 West Palm Beach, FL 33409
FINISH: SEE NOTES	DECIMAL: X ±.030 .XX ±.010 .XXX ±.005	INTERPRET DIMENSIONS AND TOLERANCES PER ASME Y14.5M - 1994	TITLE: <b>M38999/BMA SOCKET FOR Tflex 405 CABLE</b>
SURFACE AREA: N/A	<b>THIRD ANGLE PROJECTION</b>	DRAWN: JMC 02/11/08	SIZE: <b>B</b> CAGE CODE: <b>95077</b> DWG. NO.: <b>SF9411-6000</b>
<b>PROPRIETARY</b> THE INFORMATION CONTAINED IN THIS DRAWING IS THE SOLE PROPERTY OF SV MICROWAVE, INC. ANY REPRODUCTION IN PART OR AS A WHOLE WITHOUT THE WRITTEN PERMISSION OF SV MICROWAVE, INC IS PROHIBITED.		CHECKED: PJS 05/05/10 APPROVED: PJS 05/05/10	SCALE: 6:1 SHEET 1 OF 1

## Looking for pricing, stock, or lifecycle information?

Click below to explore more details on WIN SOURCE:

 [View SF9411-6000 on WIN SOURCE](#)

 [Amphenol Information](#)

## Optimize Your Supply Chain with WIN SOURCE Solutions

-  Global Sourcing Solution
-  Obsolete Management
-  Cost Control Management
-  Shortage Management
-  Alternative Solution
-  Excess Inventory Management