



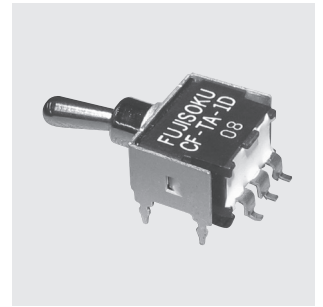
**THE DATASHEET OF  
CF-TA-1FB4-A12**



# CF-TA

## Reflow Toggle Switches

RoHS Compliant



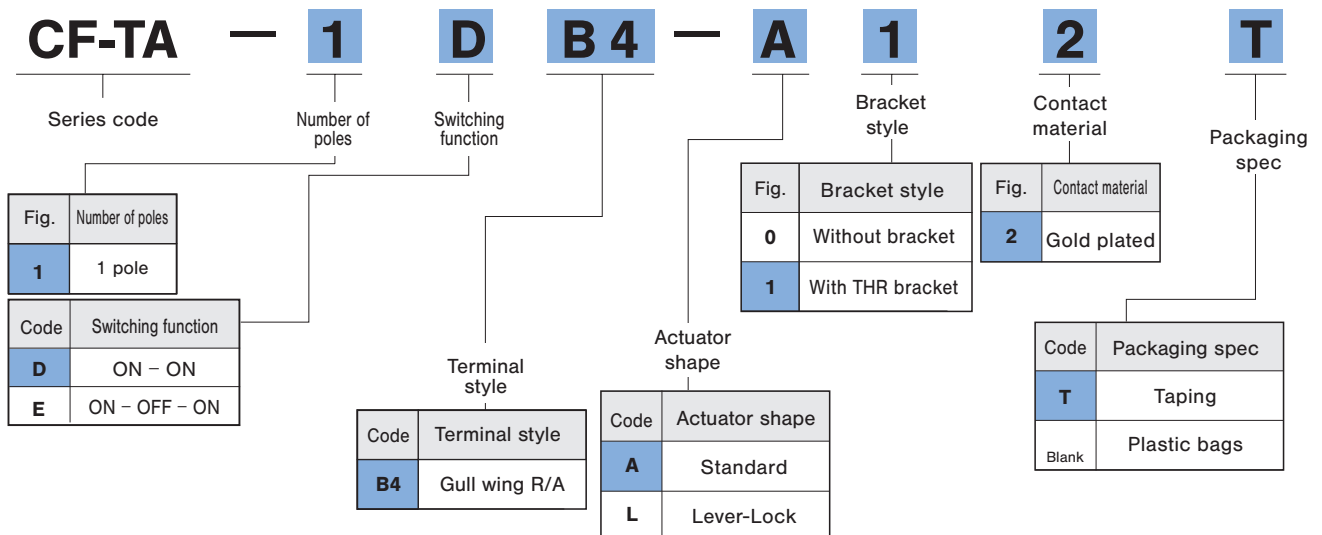
### Features

1. Industry's first toggle switch compatible with through-hole reflow soldering.
2. Compatible with pick and place machines.
3. Heat resistant resin for reflow and dip soldering.
4. Gold-plated contacts.

### Specifications

Rating	Max.	48 VAC/DC 50mA (Resistive load)
	Min.	20 mVAC/DC 1 μA
Initial contact resistance	100 mΩ max. (1.5 mA 200 μVAC)	
Dielectric strength	500 VAC 1 minute	
Insulation resistance	500 mΩ min. (500VDC)	
Electrical life	10,000 cycles at max. rating	
Operating temperature range	-40°C~+85°C	
Storage temperature range	-40°C~+85°C	

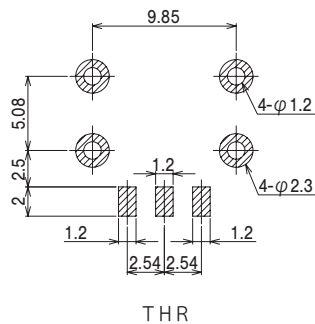
### Part Numbering



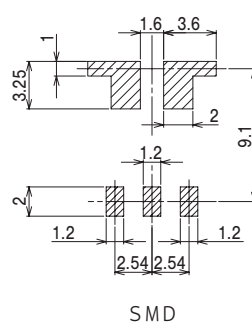
### PC Hole Layouts

#### Standard

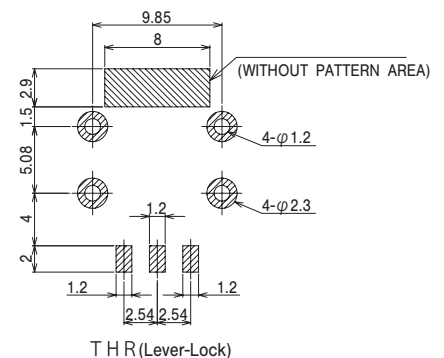
##### With THR bracket



##### Without bracket



#### Locking Lever



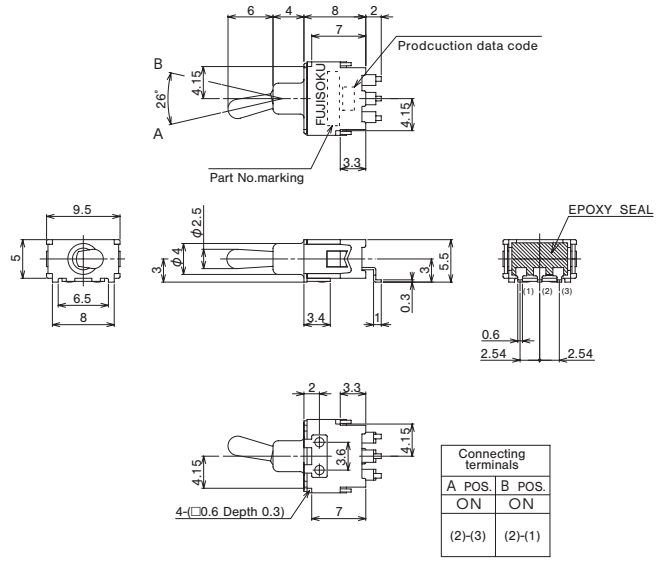
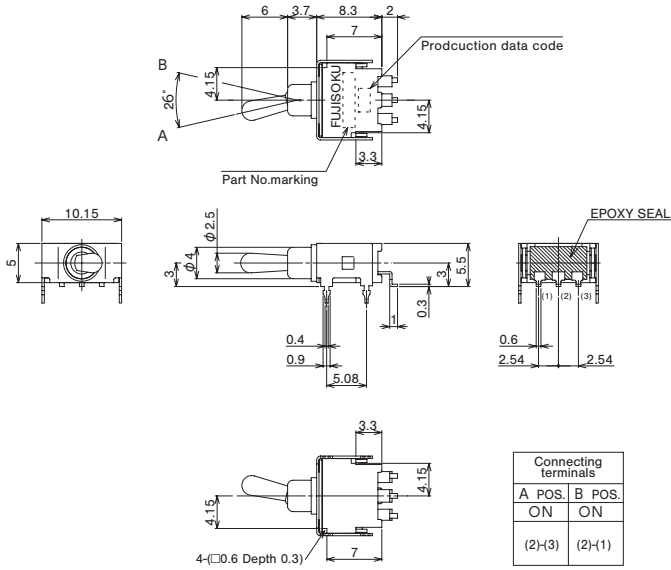
**Outline dimensions**

•Standard

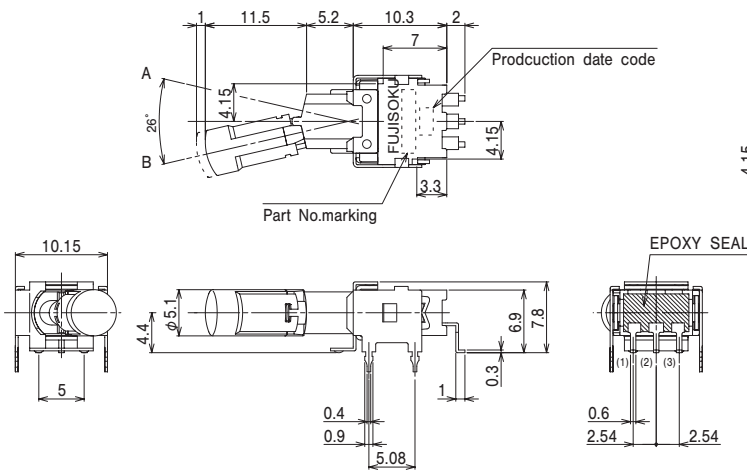
(Unit:mm)

●With THR bracket

●Without bracket



•Locking Lever



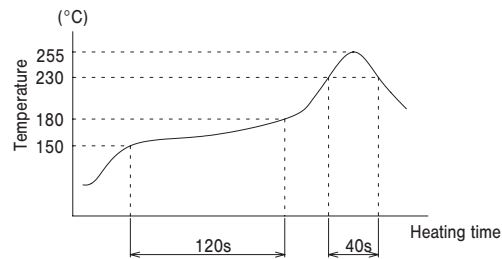
**List of part numbers**

Number of poles	Switching function	Actuator shape	Form of Packaging	Terminal style		Pieces in package
				SMD	THR	
1 pole	ON - ON	Standard	Taping	CF-TA-1DB4-A02T	CF-TA-1DB4-A12T	500pcs./reel
	ON - ON		Plastic bags	CF-TA-1DB4-A02	CF-TA-1DB4-A12	20pcs./pack
	ON - OFF - ON			CF-TA-1EB4-A02	CF-TA-1EB4-A12	20pcs./pack
	ON - ON	Lever-lock	Taping	-	CF-TA-1DB4-L12T	250pcs./reel
			Plastic bags	-	CF-TA-1DB4-L12	20pcs./pack

**Soldering**

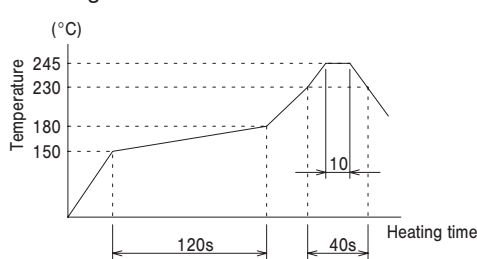
(1) Reflow soldering

•Standard



Reflow soldering: Two times max.

•Locking Lever



Reflow soldering: Two times max.

(2) Manual soldering

Device:Solder iron  
380°C Max. 3sec Max.

## Packaging Specifications

### (1) Taping

Standard type: 500 pcs./reel.

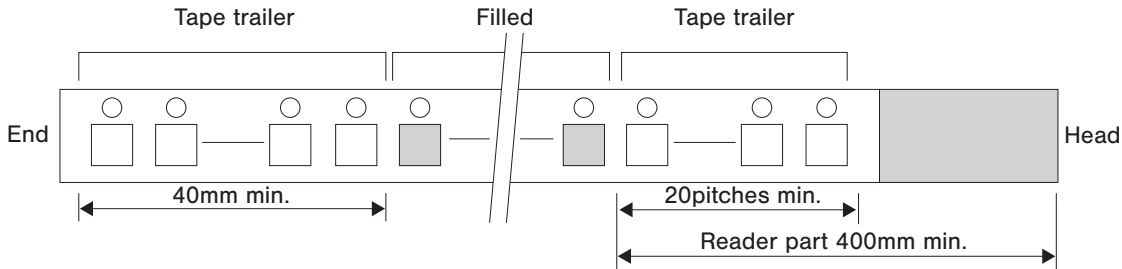
Locking lever type: 250 pcs./reel.

One reel is packed into one carton (1 reel / carton).

The maximum number of consecutive missing pieces shall be 2.

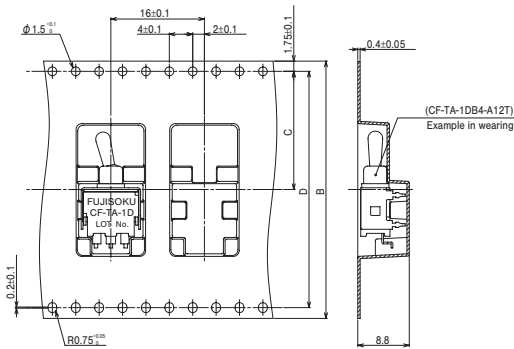
Embossed tape dimensions are shown in the diagram below.

Fig.1 Embossed tape dimensions

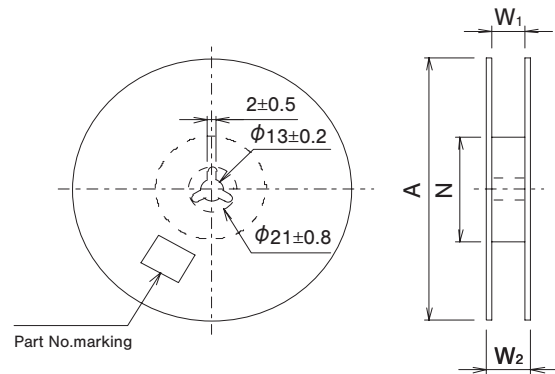


### <Tape dimensions>

#### •Standard



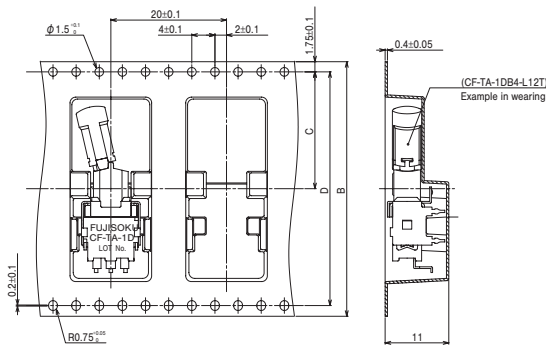
### <Reel dimensions>



Unit : (mm)

A	W <sub>1</sub>	W <sub>2</sub>	N
φ330±2	45.4±1	49.4±1	φ80±1

#### •Locking Lever



Unit : (mm)

B	C	D
44	20.2±0.1	40.4±0.1

### (2) Bulk

20 pcs. / plastic bag

## Looking for pricing, stock, or lifecycle information?

Click below to explore more details on WIN SOURCE:

- ⊖ [View CF-TA-1FB4-A12 on WIN SOURCE](#)
- ⊖ [Nidec Copal Electronics Information](#)

## Optimize Your Supply Chain with WIN SOURCE Solutions

- ✓ Global Sourcing Solution
- ✓ Obsolete Management
- ✓ Cost Control Management
- ✓ Shortage Management
- ✓ Alternative Solution
- ✓ Excess Inventory Management