



**CBR1-D010 SERIES**

**SILICON BRIDGE RECTIFIER  
1 AMP, 100 THRU 1000 VOLTS**



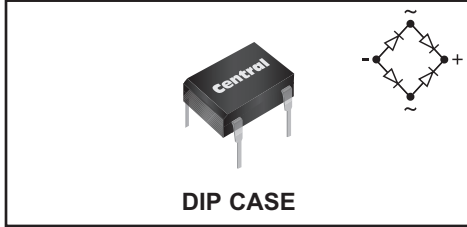
[www.centrasemi.com](http://www.centrasemi.com)

**DESCRIPTION:**

The CENTRAL SEMICONDUCTOR CBR1-D010 series types are full wave silicon bridge rectifiers mounted in a durable epoxy molded case. These devices are ideal for printed circuit board mounting and fit into a standard DIP socket (0.1"/2.54mm spacing).

**NOTE:** Also available in fast recovery. Please contact factory for details.

**MARKING: FULL PART NUMBER**



**DIP CASE**

**MAXIMUM RATINGS:** ( $T_A=25^\circ\text{C}$  unless otherwise noted)

	SYMBOL	CBR1 -D010	CBR1 -D020	CBR1 -D040	CBR1 -D060	CBR1 -D080	CBR1 -D100	UNITS
Peak Repetitive Reverse Voltage	$V_{RRM}$	100	200	400	600	800	1000	V
DC Blocking Voltage	$V_R$	100	200	400	600	800	1000	V
RMS Reverse Voltage	$V_{R(RMS)}$	70	140	280	420	560	700	V
Average Forward Current ( $T_A=50^\circ\text{C}$ )	$I_O$				1.0			A
Peak Forward Surge Current	$I_{FSM}$				50			A
Operating and Storage Junction Temperature	$T_J, T_{stg}$				-65 to +150			$^\circ\text{C}$

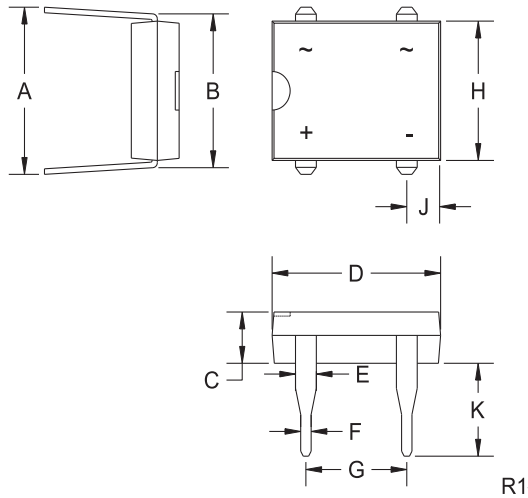
**ELECTRICAL CHARACTERISTICS PER DIODE:** ( $T_A=25^\circ\text{C}$  unless otherwise noted)

SYMBOL	TEST CONDITIONS	MIN	MAX	UNITS
$I_R$	$V_R = \text{Rated } V_{RRM}$		10	$\mu\text{A}$
$V_F$	$I_F = 1.0\text{A}$		1.1	V

**CBR1-D010 SERIES**  
**SILICON BRIDGE RECTIFIER**  
**1 AMP, 100 THRU 1000 VOLTS**



**DIP CASE - MECHANICAL OUTLINE**



SYMBOL	INCHES		MILLIMETERS	
	MIN	MAX	MIN	MAX
A	0.300	0.350	7.62	8.89
B	0.285	0.315	7.24	8.00
C	0.086	0.098	2.18	2.49
D	0.316	0.335	8.03	8.51
E	0.035	0.045	0.89	1.14
F	0.018	0.022	0.46	0.56
G	0.195	0.205	4.95	5.21
H	0.245	0.255	6.22	6.48
J	0.055	0.075	1.40	1.91
K	0.150	0.185	3.81	4.70

DIP (REV: R1)

**MARKING: FULL PART NUMBER**

R3 (11-June 2012)

## OUTSTANDING SUPPORT AND SUPERIOR SERVICES



---

### PRODUCT SUPPORT

Central's operations team provides the highest level of support to insure product is delivered on-time.

- Supply management (Customer portals)
- Inventory bonding
- Consolidated shipping options
- Custom bar coding for shipments
- Custom product packing

---

### DESIGNER SUPPORT/SERVICES

Central's applications engineering team is ready to discuss your design challenges. Just ask.

- Free quick ship samples (2<sup>nd</sup> day air)
- Online technical data and parametric search
- SPICE models
- Custom electrical curves
- Environmental regulation compliance
- Customer specific screening
- Up-screening capabilities
- Special wafer diffusions
- PbSn plating options
- Package details
- Application notes
- Application and design sample kits
- Custom product and package development

---

### REQUESTING PRODUCT PLATING

1. If requesting Tin/Lead plated devices, add the suffix "TIN/LEAD" to the part number when ordering (example: 2N2222A TIN/LEAD).
2. If requesting Lead (Pb) Free plated devices, add the suffix "PBFREE" to the part number when ordering (example: 2N2222A PBFREE).

---

### CONTACT US

#### Corporate Headquarters & Customer Support Team

Central Semiconductor Corp.  
145 Adams Avenue  
Hauppauge, NY 11788 USA  
Main Tel: (631) 435-1110  
Main Fax: (631) 435-1824  
Support Team Fax: (631) 435-3388  
[www.centrasemi.com](http://www.centrasemi.com)

**Worldwide Field Representatives:**  
[www.centrasemi.com/wwreps](http://www.centrasemi.com/wwreps)

**Worldwide Distributors:**  
[www.centrasemi.com/wwdistributors](http://www.centrasemi.com/wwdistributors)

---

For the latest version of Central Semiconductor's **LIMITATIONS AND DAMAGES DISCLAIMER**, which is part of Central's Standard Terms and Conditions of sale, visit: [www.centrasemi.com/terms](http://www.centrasemi.com/terms)

## Looking for pricing, stock, or lifecycle information?

Click below to explore more details on WIN SOURCE:

- [⊖ View CBR1-D040 PBFREE on WIN SOURCE](#)
- [⊖ Central Semiconductor Corp Information](#)

## Optimize Your Supply Chain with WIN SOURCE Solutions

- ✓ Global Sourcing Solution
- ✓ Obsolete Management
- ✓ Cost Control Management
- ✓ Shortage Management
- ✓ Alternative Solution
- ✓ Excess Inventory Management