



**THE DATASHEET OF
BZF1-2RN2-LH**



MICRO SWITCH
a Honeywell Division

FED. MFG. CODE 91929

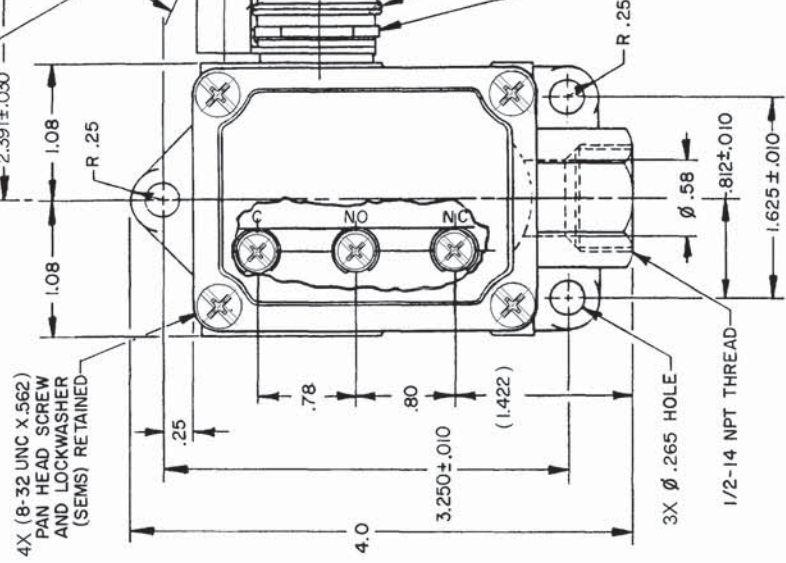
SWITCH - ENCLOSED

CATALOG LISTING

BZF1-2RN2-LH

(LEFT HAND)

ROLLER LEVER MAY BE POSITIVELY LOCKED AT INTERVALS OF APPROX 0.2° WITHIN A RANGE OF 225° (1238 POSITIONS)



GASKET TYPE SEAL BETWEEN COVER AND HOUSING

ROLLER LEVER IS SHOWN IN ITS FREE POSITION AT ONE EXTREME OF ITS ADJUSTABLE RANGE

Ø .750 ± .030 X .250 ± .030 WIDE HARDENED STEEL ROLLER

ELASTOMER PLUNGER SEAL SECURED TO COMPONENTS BY EXTERNAL BANDING

HEX, SEAL NUT (.938) ACROSS FLATS

ISSUE 19
M
BZF1-2RN2-LH
CATALOG LISTING
PAGE 1 OF 1
RELEASE NO.
REPLACES

REVISONS
A 12-50-74
B 3-59-74
C 15-MAY-55
D 10-APR-58
E 6-CORR-58
F 6-MAR-57
G 00630051
H 04-20-57
I 04-20-57

CHECK CMH
CHECK 25 MAY 95
CHECK JJA

THIS DRAWING COVERS A PROPRIETARY ITEM AND IS THE PROPERTY OF MICRO SWITCH, A DIVISION OF HONEYWELL. THIS DRAWING IS NOT TO BE COPIED OR USED WITHOUT THE APPROVAL OF MICRO SWITCH

CHARACTERISTICS		ELECTRICAL DATA		SCALE FULL	
OPERATING FORCE	2 LB MAX	CONTACT ARRANGEMENT		DO NOT SCALE PRINT	
RELEASE FORCE	1/4 LB MIN	S P D T		UNLESS OTHERWISE SPECIFIED TOLERANCES ARE	
PRETRAVEL	.219 MAX	-L96-		ONE PLACE	(.01) ±.030
DIFFERENTIAL TRAVEL	.008 MAX	15 A - 125, 250, OR 480 VAC		TWO PLACE	(.00) ±.015
OVERTRAVEL	.219 MIN	1/2A - 125 VDC; 1/4 A - 250 VDC		THREE PLACE	(.000) ±.005
BASIC SWITCH REPLACEMENT	BZ-2R708-P7	1/8 HP - 125 VAC; 1/4 HP - 250 VAC		ANGLES	±
				WEIGHT	.670 LB ±

THIRD ANGLE PROJECTION



NOTES

- 1 - ROLLER LEVER BRACKET ASSEMBLY 1 AROUND AXIS OF PLUNGER
- 2 - 8-32 UNC X (.219) BINDER HEAD, CON AND CUPWASHERS

RASTER

DATE 15 MAY 95
DRAWN

Looking for pricing, stock, or lifecycle information?

Click below to explore more details on WIN SOURCE:

 [View BZF1-2RN2-LH on WIN SOURCE](#)

 [Honeywell Information](#)

Optimize Your Supply Chain with WIN SOURCE Solutions

-  Global Sourcing Solution
-  Obsolete Management
-  Cost Control Management
-  Shortage Management
-  Alternative Solution
-  Excess Inventory Management