



**THE DATASHEET OF
BJ79C-201**



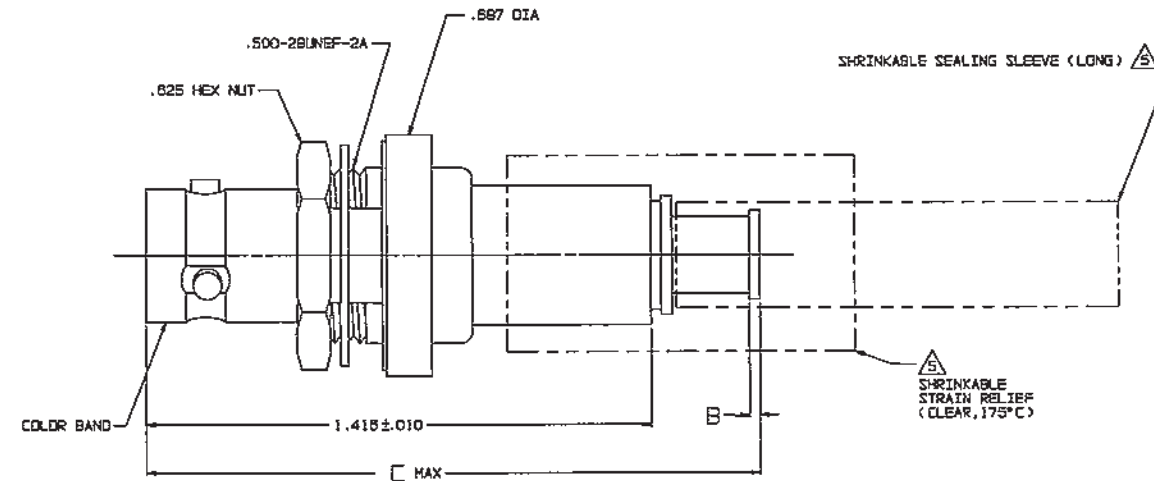
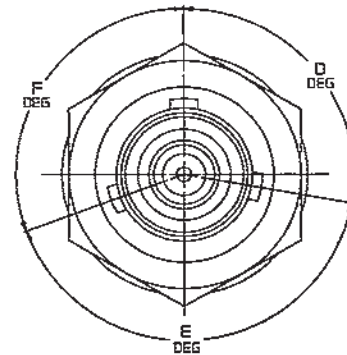
RED INDICATES ORIGINAL

DWG SIZE	ECO	REVISIONS		DWN	APPROVED	DATE
		REV	DESCRIPTION			
D	12084	W	-306 TAI-218 WAS TAI-189; ADDED -308 & -309; SEE ECO	DKC	WJm/ka	8/26/99

TABLE 1						
DASH NO	CABLES ACCOMMODATED	A HEX	B DIM	C MAX	ASSEMBLE PER	
-201	M17/176-00002					
-202	TWC-78-1					
-203	TWC-124-1A					
-204	10602, RAYCHEM					
-205	TWC-78-1F2					
-206	782600130, RAYCHEM			1.80	TAI-165	
-207	83310, BELDEN					
-208	202-3927, MICRODOT					
-209	202-3942, MICRODOT					
-210	8451, BELDEN					
-211	202-3934, MICRODOT					
-212	2524E0114, RAYCHEM					
-213	TWC-78-2			1.55	TAI-138	
-214	TWC-124-2					
-215	BL982, TIMES					
-216	BL 1242, TIMES					
-217	GC875TH24H, GRUMMAN					
-218	EOP221888, RAYCHEM					
-219	252601114, RAYCHEM	.344	.030	1.80	TAI-165	
-220	GC875RR1, GRUMMAN					
-221	110814, RAYCHEM					
-222	110813, RAYCHEM					
-223	HMS2-1149, HUGHES					
-224	TWCP-124-3			1.55	TAI-138	
-225	PS865PL, PRIME STOCK					
-301	GC875GC1, GRUMMAN					
-302	GC875GB1, GRUMMAN					
-303	7528A5314, RAYCHEM				TAI-169	
-304						
-305	M17/177-00001 THERMATICS			1.60		
-306	TRC-50-2				TAI-218	
-307	M17/134-00002				TAI-189	
-308	TRC-75-1				TAI-218	
-309	TRC-75-2				TAI-169	
-309	TRC-50-1					

TABLE 2				
POLARIZATION CHART				
KEYING LETTER	D DEGREES	E DEGREES	F DEGREES	COLOR BAND
T	100°	150°	110°	RED
U	120°	130°	110°	ORANGE
V	115°	130°	115°	YELLOW
W	125°	110°	125°	GREEN
X	130°	100°	130°	BLUE
Y	110°	140°	110°	VIOLET
Z	100°	160°	100°	GRAY
S	135°	135°	90°	WHITE
NONE	120°	120°	120°	NONE

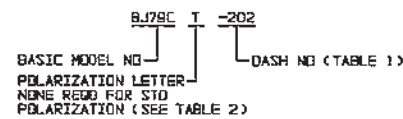
INCH	MM
.005	0.13
.010	0.25
.030	0.76
.109	2.77
.218	5.54
.221	5.61
.344	8.74
.505	12.63
.510	12.95
.525	13.30
.687	17.45
1.00	25.40
1.25	31.75
1.416	35.97
1.55	39.37
1.75	44.45
1.80	45.72



-202 SHOWN

7. FOR TOOL CRIMP CONNECTOR QUALIFIED TO MIL-C-49142, SEE DRAWING 3-0205 (BJ78MC)

6. EXAMPLE OF COMPLETE MODEL NO.



1 SHRINKABLE STRAIN RELIEF AND/OR SHRINKABLE SEALING SLEEVE SUPPLIED LOOSE AS FOLLOWS:

a. CABLE GROUPS -201 THROUGH -210, -217 THROUGH -223, -301, -303, -305, -307 & -309

1 SHRINKABLE STRAIN RELIEF (1.00 LONG)
1 SHRINKABLE SEALING SLEEVE (1.25 LONG)

b. CABLE GROUPS -211 THROUGH -216 AND -308 & -308

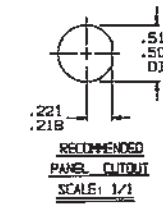
1 SHRINKABLE STRAIN RELIEF (1.75 LONG)

4. MAX PANEL THK .109

3. 3-LUG CONCENTRIC TWINAX/TRIAX TRG, FULL CRIMP CABLE RECEPTACLE

2. FINISH: TFS-1A (NICKEL)

1. ALL DIMENSIONS ARE IN INCHES



QTY	DESCRIPTION	PART NUMBER	ITEM
10, UNLESS SPECIFIED			
XX ± .001 ± .005			
XXX ± .002			
ANALYSIS			
DWN	DKC	8-1-97	MATERIAL CODE IDENT
CHK	WJm/ka	8-1-97	14949
ENGR			
APPR			
NEXT ASSY			
SCALE 4/1		DATE 11-11-95	SHEET 1 OF 2

Looking for pricing, stock, or lifecycle information?

Click below to explore more details on WIN SOURCE:

- ⊖ [View BJ79C-201 on WIN SOURCE](#)
- ⊖ [Cinch Connectivity Solutions Information](#)

Optimize Your Supply Chain with WIN SOURCE Solutions

- ✓ Global Sourcing Solution
- ✓ Obsolete Management
- ✓ Cost Control Management
- ✓ Shortage Management
- ✓ Alternative Solution
- ✓ Excess Inventory Management