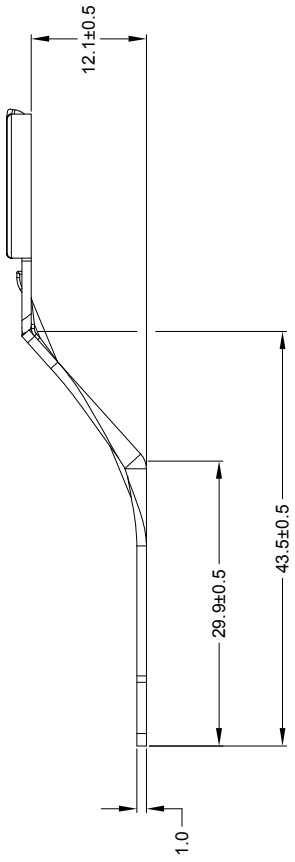
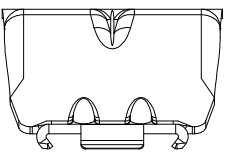
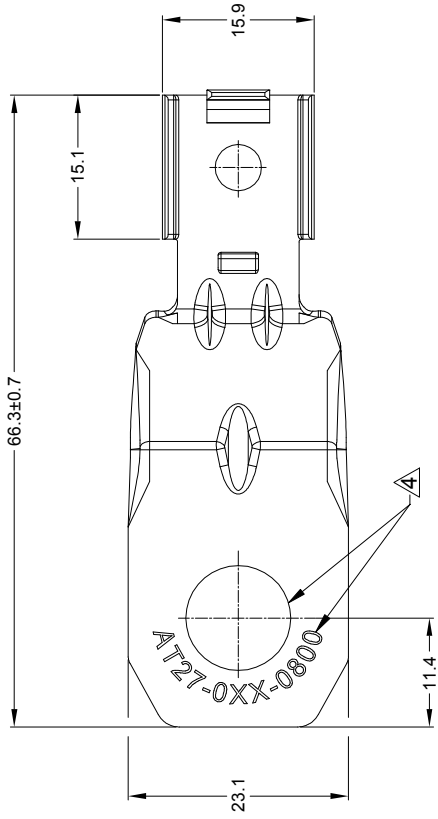




**THE DATASHEET OF**  
**AT27-001-0800**



REV	EC
A1	-



**A PART INFORMATION:**

PART NUMBER	MATERIAL	HOLE DIAMETER
AT27-001-0800	STAINLESS STEEL	11.0mm
AT27-002-0800	STEEL-ZINC PLATED	13.0mm
AT27-006-0800	STAINLESS STEEL	13.0mm
AT27-014-0800	STEEL-ZINC PLATED	8.2mm

- NOTES: UNLESS OTHERWISE SPECIFIED
- USE WITH CONNECTORS  
A. AT04-08P\* (\* ALL MODIFICATIONS AND/OR COLORS )
  - RoHS COMPLIANT
  - ALL DIMENSIONS ARE FOR REFERENCE USE ONLY.

QUANTITY	SEE TABLE	PART NUMBER
UNLESS OTHERWISE SPECIFIED		
1. UNLESS OTHERWISE SPECIFIED, DIMENSIONS ARE IN MILLIMETERS.		
2. TOLERANCES ARE AS FOLLOWS:		
1 P.L. DEC ±0.20	ANGLES ±1°	FRACTIONS ±1/64
2 P.L. DEC ±0.10	ANGLES ±1°	FRACTIONS ±1/64
3 P.L. DEC ±0.08	ANGLES ±1°	FRACTIONS ±1/64
3) Note reference =		
ENGINEERING		
APPROVED		
MATERIAL SPECIFICATIONS		
CUSTOMER		
DATE		
DRAWN BY		
CHECKED BY		
INSTRUMENTS		
SPECIAL SPECIFICATIONS		
DATE OF REVISION		
BY		
REASON FOR REVISION		
MANUFACTURED BY		

## Looking for pricing, stock, or lifecycle information?

Click below to explore more details on WIN SOURCE:

- [⊖ View AT27-001-0800 on WIN SOURCE](#)
- [⊖ Amphenol Sine Systems Corp Information](#)

## Optimize Your Supply Chain with WIN SOURCE Solutions

- ✓ Global Sourcing Solution
- ✓ Obsolete Management
- ✓ Cost Control Management
- ✓ Shortage Management
- ✓ Alternative Solution
- ✓ Excess Inventory Management