



**THE DATASHEET OF
ASPI-7318-100M-T**



HIGH CURRENT SHIELDED POWER INDUCTOR

ASPI-7318

MSL Level:1

*Not recommended for D.I. water wash



RoHS
Compliant



7.3 x 6.8 x 3.0 mm

FEATURES:

- 100%lead (Pb) free.
- Lowest DCR/uH, in this package size.
- Frequency range up to 5.0MHz
- Handles high transient current spikes without saturation
- Ultra low buzz noise, due to composite construction.

APPLICATIONS:

- Notebook/Desktop/Server applications.
- Low profile, high current power supplies.
- Battery powered devices.
- DC/DC converter for Field Programmable
- Gate Array(FPGA)

ELECTRICAL SPECIFICATIONS:

Abrakon P/N:	ASPI-7318-xxx
Operating Temperature :	-55°C to +125°C
Storage Temperature	Less than +25°C, Humidity<75% RH.

Part Number ASPI-7318- Inductance Code	L (μH)	Tolerance (M, N)	R _{DC} Max	I _{sat} Typ (A)	I _{rms} Typ (A)
			mΩ		
ASPI-7318-R10	0.10	N	1.7	60	32.5
ASPI-7318-R15	0.15	N	1.9	45	27
ASPI-7318-R20	0.20	N	2.5	41	24
ASPI-7318-R22	0.22	N	2.8	40	23
ASPI-7318-R33	0.33	M	3.9	32	20
ASPI-7318-R47	0.47	M	4.0	26	17.5
ASPI-7318-R56	0.56	M	5.0	25.5	16.0
ASPI-7318-R68	0.68	M	5.5	25	15.5
ASPI-7318-R82	0.82	M	8.0	24	13.0
ASPI-7318-1R0	1.0	M	10.0	22	11.0
ASPI-7318-1R5	1.5	M	15	18	9.0
ASPI-7318-2R2	2.2	M	20	14	8.0
ASPI-7318-2R5	2.5	M	22	13	7.0
ASPI-7318-3R3	3.3	M	30	13.5	6.0
ASPI-7318-4R7	4.7	M	40	10	5.5
ASPI-7318-5R6	5.6	M	48	9.0	5.0
ASPI-7318-6R8	6.8	M	60	8	4.5
ASPI-7318-8R2	8.2	M	68	7.5	4.0
ASPI-7318-100	10.0	M	85	6.0	3.5
ASPI-7318-220	22.0	M	190	3.5	2.0

Test Conditions

1. Inductance tested at 200kHz, 0.25V, 0A; Tolerance M=±20%; N=±30%
2. All test data is in reference to 25°C ambient.
3. Isat will cause the inductance value to drop approximately 20%
4. Irms will cause an approximate ΔT of 40°C
5. The part temperature (ambient + temp. rise) should not exceed 125°C under worst case operating conditions. Circuit design, component placement, PWB trace size and thickness, airflow and other cooling provisions all affect the part temperature. Part temperature should be verified in the end application.
6. Please contact Abracon for the availability of other inductance values.

HIGH CURRENT SHIELDED POWER INDUCTOR



7.3 x 6.8 x 3.0 mm

ASPI-7318



➤ OPTIONS AND PART IDENTIFICATION:

ASPI-7318- -

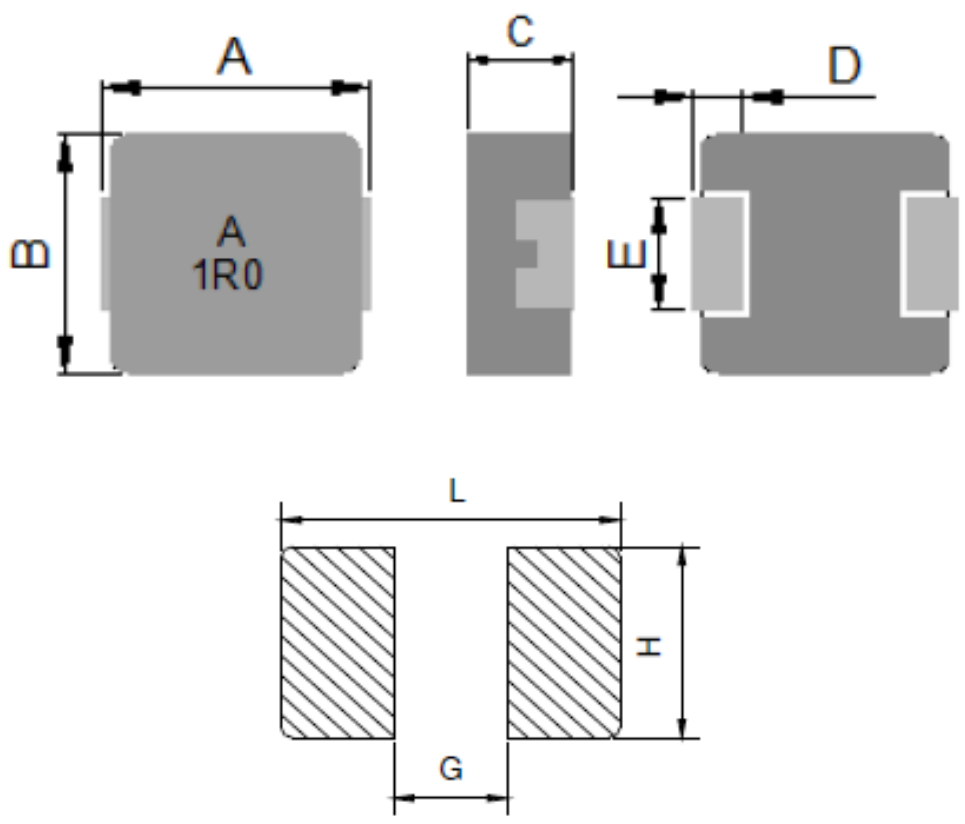
Inductance Code
Please refer to the Electrical Spec Table

Tolerance
M: ±20% *
N: ±30% *

Packaging
T: Tape and Reel
(1,000pcs / reel)

*N for L = 0.1 ~ 0.22µH
*M for L = 0.33 ~ 22µH

➤ OUTLINE DRAWING:



A	B	C	D	E	L	G	H
7.3 ± 0.3	6.6 ± 0.3	2.8 ± 0.2	1.8 ± 0.3	3.0 ± 0.3	8.4 ref.	2.5 ref.	3.5 ref.

HIGH CURRENT SHIELDED POWER INDUCTOR



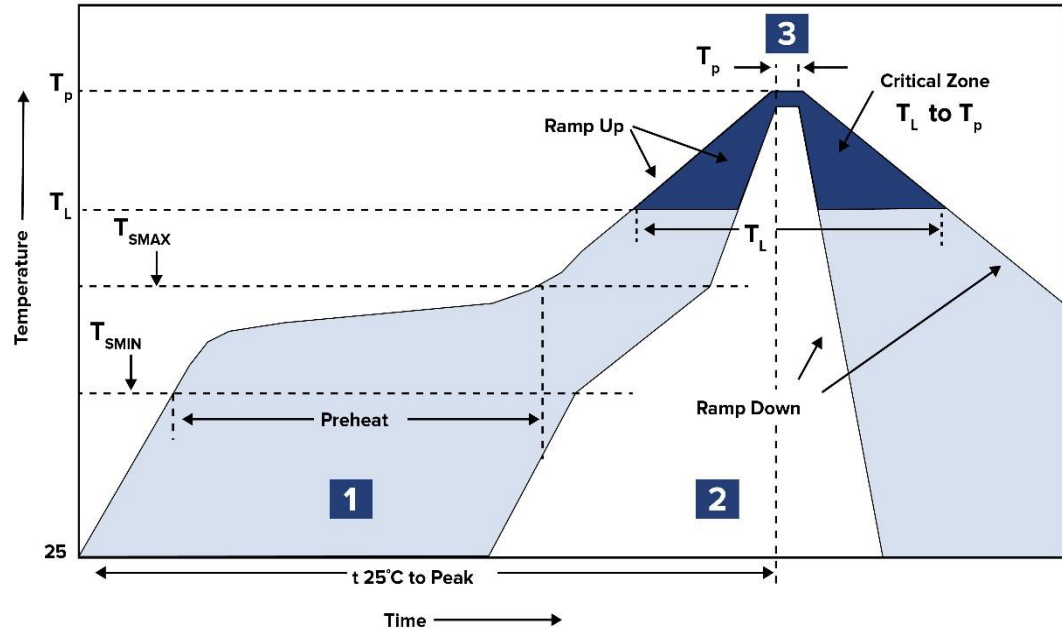
7.3 x 6.8 x 3.0 mm

ASPI-7318



RoHS
Compliant

REFLOW PROFILE:



Zone	Description	Temperature	Times
1	Preheat	$T_{SMIN} \sim T_{SMAX}$ 150°C ~ 200°C	60 ~ 180 sec.
2	Reflow	T_L 217°C	60 ~ 150 sec.
3	Peak heat	T_P 260°C±5°C	10 sec. MAX

HIGH CURRENT SHIELDED POWER INDUCTOR



7.3 x 6.8 x 3.0 mm

ASPI-7318

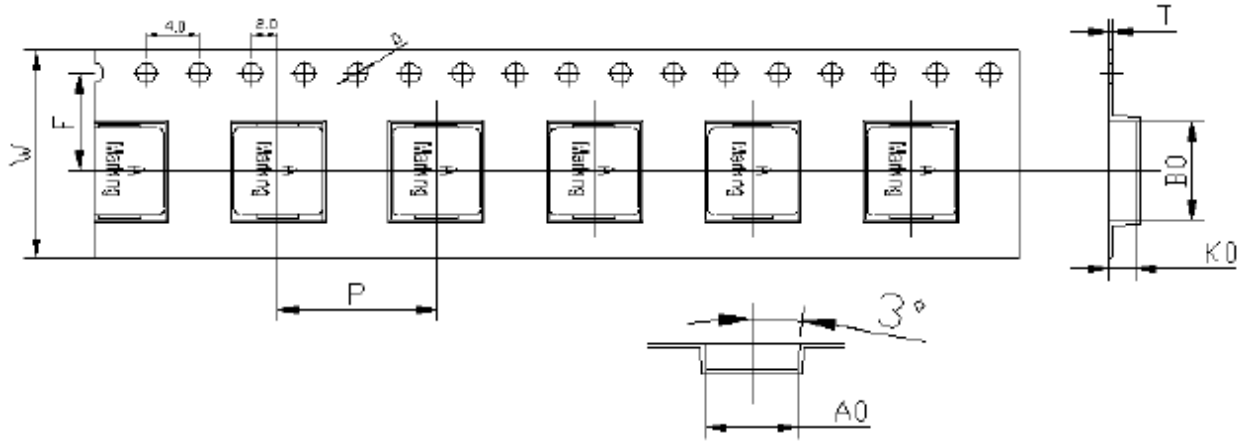


TAPE AND REEL:

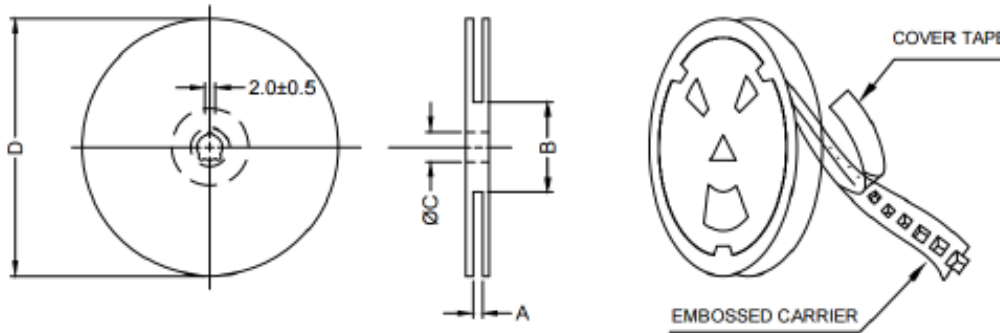
T= tape and reel (1,000pcs/reel)

Inner Box: 2,000 pcs

Carton: 8,000 pcs



A ₀	B ₀	K ₀	F	W	P	t	D
7.0±0.1	7.7±0.1	3.3±0.1	7.5±0.1	16±0.3	12±0.1	0.35±0.05	1.5±0.1



Type	A	B	C	D
13" x 16mm	16.4+2/-0	100±2	13+0.5/-0.2	330

Dimension: mm

ATTENTION: Abracon LLC's products are COTS – Commercial-Off-The-Shelf products; suitable for Commercial, Industrial and, where designated, Automotive Applications. Abracon's products are not specifically designed for Military, Aviation, Aerospace, Life-dependent Medical applications or any application requiring high reliability where component failure could result in loss of life and/or property. For applications requiring high reliability and/or presenting an extreme operating environment, written consent and authorization from Abracon LLC is required. Please contact Abracon LLC for more information.





5101 Hidden Creek Ln Spicewood TX 78669
 Phone: 512-371-6159 | Fax: 512-351-8858
 For terms and conditions of sales, please visit:
www.abracon.com

REVISED: 03-30-20

ABRACON IS
 ISO9001-2015
 CERTIFIED

Looking for pricing, stock, or lifecycle information?

Click below to explore more details on WIN SOURCE:

-  [View ASPI-7318-100M-T on WIN SOURCE](#)
-  [Abracon LLC Information](#)

Optimize Your Supply Chain with WIN SOURCE Solutions

-  Global Sourcing Solution
-  Obsolete Management
-  Cost Control Management
-  Shortage Management
-  Alternative Solution
-  Excess Inventory Management