



**THE DATASHEET OF
ASM3P2812AF-08TR**





Low Power EMI Reduction IC

Features

- FCC approved method of EMI attenuation
- Provides up to 15dB EMI reduction
- Generates a 1x, 2x and 4x low EMI spread spectrum clock of the input frequency
 - 1x: ASM3P2811A/B
 - 2x: ASM3P2812A/B
 - 4x: ASM3P2814A/B
- Optimized for input frequency range from 10MHz to 40MHz
- Internal loop filter minimizes external components and board space
- Selectable spread options:
 - Down Spread and Center Spread
- 8 frequency deviation selections:
 - $\pm 0.625\%$ to -3.5%
- Low inherent Cycle-to-Cycle Jitter
- 3.3V Operating Voltage
- CMOS/TTL compatible inputs and outputs.
- Pin-out compatible with Cypress CY25811, CY25812 and CY25814
- Available in 8-pin SOIC and TSSOP Packages

Product Description

The ASM3P28XX devices are versatile spread spectrum frequency modulators designed specifically for a wide range of input clock frequencies from 10MHz to 40MHz. Refer to *Input/Output Frequency Range Selection Table*. The ASM3P28XX can generate an EMI reduced clock from crystal, ceramic resonator, or system clock. The ASM3P28XX-A and the ASM3P28XX-B offer various

combinations of spread options and percentage deviations. Refer to *Frequency Deviation and Spread Selection Table*. These combinations include Down and Center Spread, and percentage deviation range from $\pm 0.625\%$ to -3.5% .

The ASM3P28XX reduces electromagnetic interference (EMI) at the clock source, allowing system wide reduction of EMI of downstream clock and data dependent signals. The ASM3P28XX allows significant system cost savings by reducing the number of circuit board layers, ferrite beads, shielding, and other passive components that are traditionally required to pass EMI regulations.

The ASM3P28XX modulates the output of a single PLL in order to “spread” the bandwidth of a synthesized clock, and more importantly, decreases the peak amplitudes of its harmonics. This results in significantly lower system EMI compared to the typical narrow band signal produced by oscillators and most frequency generators. Lowering EMI by increasing a signal’s bandwidth is called ‘spread spectrum clock generation’.

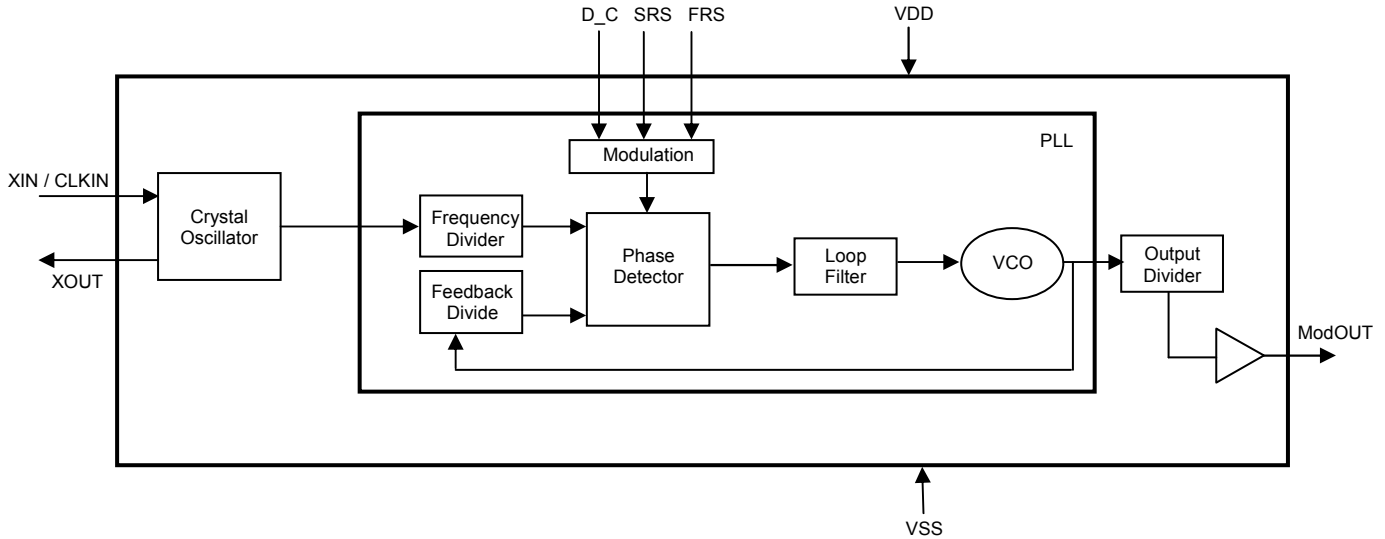
The ASM3P28XX uses the most efficient and optimized modulation profile approved by the FCC and is implemented in a proprietary all-digital method.

Applications

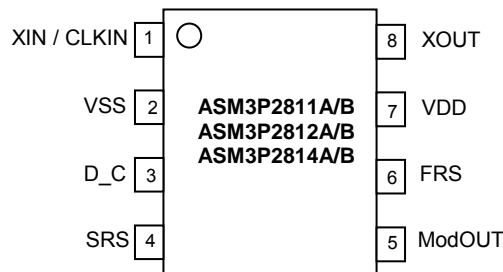
The ASM3P28XX is targeted towards EMI management for memory and LVDS interfaces in mobile graphic chipsets and high-speed digital applications such as PC peripheral devices, consumer electronics, and embedded controller systems.

ASM3P2811A/B and ASM3P2812A/B and ASM3P2814A/B

Block Diagram



Pin Configuration



Pin Description

Pin#	Pin Name	Type	Description
1	XIN / CLKIN	I	Crystal connection or external Clock input.
2	VSS	P	Ground to entire chip.
3	D_C	I	Digital logic input used to select Down (LOW) or Center (HIGH) spread options. (Refer to <i>Frequency Deviation and Spread Selection Table</i>). This pin has an internal pull-up resistor.
4	SRS	I	Spread range select. Digital logic input used to select frequency deviation (Refer to <i>Frequency Deviation and Spread Selection Table</i>). This pin has an internal pull-up resistor.
5	ModOUT	O	Spread spectrum clock output.
6	FRS	I	Frequency range select. Digital logic input used to select Input frequency range (Refer to <i>Input/Output Frequency Range Selection Table</i>). This pin has an internal pull-up resistor.
7	VDD	P	Power supply for the entire chip.
8	XOUT	O	Crystal connection. If using an external reference, this pin must be left unconnected.

ASM3P2811A/B and ASM3P2812A/B and ASM3P2814A/B

Input/Output Frequency Range Selection Table

FRS (pin 6)	Part Number						Modulation Rate
	ASM3P2811 (1x)		ASM3P2812 (2x)		ASM3P2814 (4x)		
	Input (MHz)	Output (MHz)	Input (MHz)	Output (MHz)	Input (MHz)	Output (MHz)	
0	10-20	10-20	10-20	20-40	10-20	40-80	Input Frequency / 448
1	20-40	20-40	20-40	40-80	20-40	80-160	Input Frequency / 896

Output Frequency Deviation and Spread Selection Table

Part Number	D_C (pin 3)	SRS (pin 4)	Frequency Deviation ¹ (%)			
			FS=0		FS=1	
			10/20/40 (MHz)	20/40/80 (MHz)	20/40/80 (MHz)	40/80/160 (MHz)
ASM3P28XXA	0	0	-3	-2.5	-2.7	-2.6
	0	1	-3.7	-3.4	-3.8	-3.6
	1	0	±1.5	±1.2	±1.5	±1.3
	1	1	±1.8	±1.6	±1.9	±1.8
ASM3P28XXB	0	0	-1.7	-1.0	-1.5	-1.4
	0	1	-2.0	-1.5	-2.0	-1.9
	1	0	±0.75	±0.6	±0.8	±0.7
	1	1	±1.0	±0.75	±1.0	±0.9

Note: 1. Frequency Deviation given in the table is for the Output Frequency Range covering ASM3P2811x / 12x / 14x.

Absolute Maximum Ratings

Symbol	Parameter	Rating	Unit
V _{DD} , V _{IN}	Voltage on any pin with respect to Ground	-0.5 to +4.6	V
T _{STG}	Storage temperature	-65 to +125	°C
T _s	Max. Soldering Temperature (10 sec)	260	°C
T _J	Junction Temperature	150	°C
T _{DV}	Static Discharge Voltage(As per JEDEC STD 22- A114-B)	2	KV

Note: These are stress ratings only and are not implied for functional use. Exposure to absolute maximum ratings for prolonged periods of time may affect device reliability.

ASM3P2811A/B and ASM3P2812A/B and ASM3P2814A/B

Operating Conditions

Symbol	Parameter	Min	Max	Unit
VDD	Supply Voltage	3.0	3.6	V
T _A	Operating temperature	-40	+85	°C
C _L	Load Capacitance		10	pF
C _{IN}	Input Capacitance		7	pF

DC Electrical Characteristics

Symbol	Parameter	Min	Typ	Max	Unit
V _{IL}	Input low voltage	VSS – 0.3		0.8	V
V _{IH}	Input high voltage	2		V _{DD} + 0.3	V
I _{IL}	Input low current (Inputs D_C, SRS and FRS are pulled high internally)			-50	μA
I _{IH}	Input high current			50	μA
I _{XOL}	XOUT Output low current (V _{XOL} @ 0.4V, V _{DD} = 3.3V)			3	mA
I _{XOH}	XOUT Output high current (V _{XOH} @ 2.5V, V _{DD} = 3.3V)			3	mA
V _{OL}	Output low voltage (V _{DD} = 3.3V, I _{OL} = 5mA)			0.4	V
V _{OH}	Output high voltage (V _{DD} = 3.3V, I _{OH} = -5mA)	2.5			V
I _{CC}	Dynamic supply current (Unloaded Output)	8		18	mA
I _{DD}	Static supply current, Standby mode (CLKIN pulled to GND)			4.5	mA
VDD	Operating voltage	3.0	3.3	3.6	V
t _{ON}	Power up time (first locked clock cycle after power up)			500	μS
Z _{OUT}	Clock out impedance		76		Ω

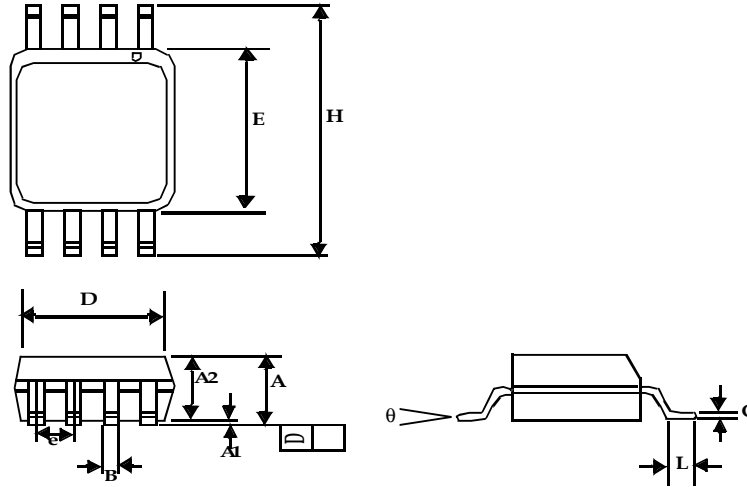
AC Electrical Characteristics

Symbol	Parameter	Min	Typ	Max	Unit
f _{IN}	Input frequency for ASM3P2811/12/13/14 A/B	10		40	MHz
f _{OUT}	Output frequency for ASM3P2811A/B	10		40	MHz
	Output frequency for ASM3P2812A/B	20		80	MHz
	Output frequency for ASM3P2814A/B	40		160	MHz
t _{LH} ¹	Output rise time (measured at 0.8V to 2.0V)	0.5	0.9	1.2	nS
t _{HL} ¹	Output fall time (measured at 2.0V to 0.8V)	0.8	1.0	1.3	nS
t _{JC}	Cycle-to-Cycle Jitter (Unloaded Output)		±250		pS
t _D	Output duty cycle	45	50	55	%

Note: 1. t_{LH} and t_{HL} are measured into a capacitive load of 10pF

Package Information

8-Pin SOIC Package

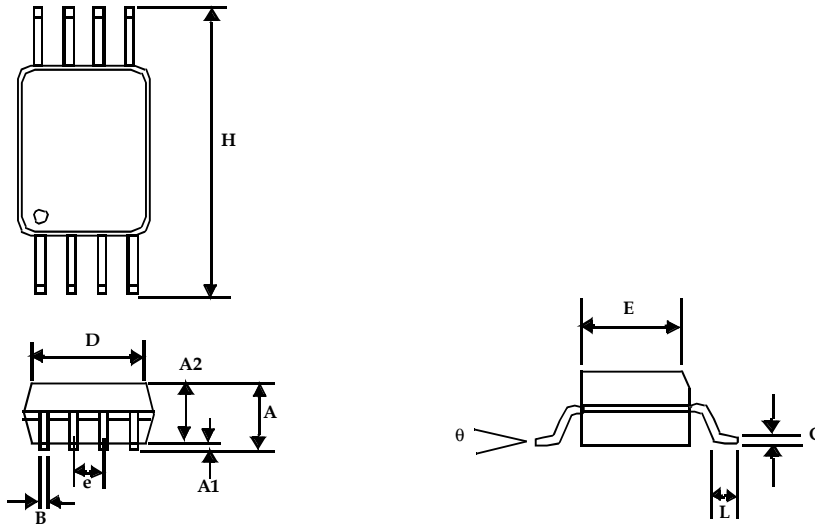


Symbol	Dimensions			
	Inches		Millimeters	
	Min	Max	Min	Max
A1	0.004	0.010	0.10	0.25
A	0.053	0.069	1.35	1.75
A2	0.049	0.059	1.25	1.50
B	0.012	0.020	0.31	0.51
C	0.007	0.010	0.18	0.25
D	0.193 BSC		4.90 BSC	
E	0.154 BSC		3.91 BSC	
e	0.050 BSC		1.27 BSC	
H	0.236 BSC		6.00 BSC	
L	0.016	0.050	0.41	1.27
θ	0°	8°	0°	8°

Note: Controlling dimensions are millimeters.
SOIC: 0.074 grams unit weight.

ASM3P2811A/B and ASM3P2812A/B and ASM3P2814A/B

8-lead TSSOP (4.40-MM Body)




Symbol	Dimensions			
	Inches		Millimeters	
	Min	Max	Min	Max
A		0.043		1.10
A1	0.002	0.006	0.05	0.15
A2	0.033	0.037	0.85	0.95
B	0.008	0.012	0.19	0.30
c	0.004	0.008	0.09	0.20
D	0.114	0.122	2.90	3.10
E	0.169	0.177	4.30	4.50
e	0.026 BSC		0.65 BSC	
H	0.252 BSC		6.40 BSC	
L	0.020	0.028	0.50	0.70
θ	0°	8°	0°	8°

ASM3P2811A/B and ASM3P2812A/B and ASM3P2814A/B

Ordering Code

Part Number	Marking	Package Type	Temperature
ASM3P2811AF-08SR	ACH	8-Pin SOIC, Tape & Reel, Pb free	0°C to 70°C
ASM3P2811BF-08SR	ACJ	8-Pin SOIC, Tape & Reel, Pb free	0°C to 70°C
ASM3P2812AF-08SR	ACL	8-Pin SOIC, Tape & Reel, Pb free	0°C to 70°C
ASM3P2812AF-08TR	ACL	8-Pin TSSOP, Tape & Reel, Pb free	0°C to 70°C
ASM3P2812BF-08SR	ACN	8-Pin SOIC, Tape & Reel, Pb free	0°C to 70°C
ASM3P2814AF-08SR	ACP	8-Pin SOIC, Tape & Reel, Pb free	0°C to 70°C
ASM3P2814BF-08TR	ACR	8-Pin TSSOP, Tape & Reel, Pb free	0°C to 70°C

A "microdot" placed at the end of last row of marking or just below the last row toward the center of package indicates Pb-free

ON Semiconductor and  are registered trademarks of Semiconductor Components Industries, LLC (SCILLC). SCILLC reserves the right to make changes without further notice to any products herein. SCILLC makes no warranty, representation or guarantee regarding the suitability of its products for any particular purpose, nor does SCILLC assume any liability arising out of the application or use of any product or circuit, and specifically disclaims any and all liability, including without limitation special, consequential or incidental damages. "Typical" parameters which may be provided in SCILLC data sheets and/or specifications can and do vary in different applications and actual performance may vary over time. All operating parameters, including "Typicals" must be validated for each customer application by customer's technical experts. SCILLC does not convey any license under its patent rights nor the rights of others. SCILLC products are not designed, intended, or authorized for use as components in systems intended for surgical implant into the body, or other applications intended to support or sustain life, or for any other application in which the failure of the SCILLC product could create a situation where personal injury or death may occur. Should Buyer purchase or use SCILLC products for any such unintended or unauthorized application, Buyer shall indemnify and hold SCILLC and its officers, employees, subsidiaries, affiliates, and distributors harmless against all claims, costs, damages, and expenses, and reasonable attorney fees arising out of, directly or indirectly, any claim of personal injury or death associated with such unintended or unauthorized use, even if such claim alleges that SCILLC was negligent regarding the design or manufacture of the part. SCILLC is an Equal Opportunity/Affirmative Action Employer. U.S. Patent Pending; Timing-Safe and Active Bead are trademarks of PulseCore Semiconductor, a wholly owned subsidiary of ON Semiconductor. This literature is subject to all applicable copyright laws and is not for resale in any manner.

PUBLICATION ORDERING INFORMATION

LITERATURE FULFILLMENT:

Literature Distribution Center for ON Semiconductor
P.O. Box 5163, Denver, Colorado 80217 USA
Phone: 303-675-2175 or 800-344-3860 Toll Free USA/Canada
Fax: 303-675-2176 or 800-344-3867 Toll Free USA/Canada
Email: orderlit@onsemi.com

N. American Technical Support: 800-282-9855
Toll Free USA/Canada
Europe, Middle East and Africa Technical Support:
Phone: 421 33 790 2910
Japan Customer Focus Center
Phone: 81-3-5773-3850

ON Semiconductor Website:
www.onsemi.com

Order Literature: <http://www.onsemi.com/orderlit>

For additional information, please contact your local Sales Representative

Looking for pricing, stock, or lifecycle information?

Click below to explore more details on WIN SOURCE:

 [View ASM3P2812AF-08TR on WIN SOURCE](#)

 [ON Semiconductor](#) Information

Optimize Your Supply Chain with WIN SOURCE Solutions

-  Global Sourcing Solution
-  Obsolete Management
-  Cost Control Management
-  Shortage Management
-  Alternative Solution
-  Excess Inventory Management