



**THE DATASHEET OF  
AP7350-45CF4-7**



## Description

The AP7350 is a low dropout regulator with high output voltage accuracy. The AP7350 includes a voltage reference, error amplifier, current limit circuit and an enable input to turn it on/off. With the integrated resistor network, fixed output voltage versions can be delivered.

With its ultra-low quiescent current and miniature package dimensions, the AP7350 is well suited for low-power handheld, wearable devices, and other battery-operated devices requiring an extended time period until new battery replacement.

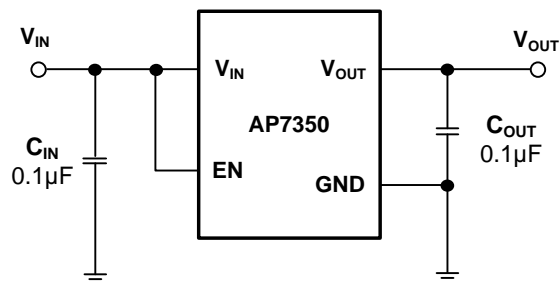
The AP7350 is available in the wafer level chip scale X2-WLB0606-4 package. This part is one of the smallest LDO footprints in the industry allowing for the use of a bare minimum of board space within the application.

## Features

- Low  $V_{IN}$  and Wide  $V_{IN}$  Range: 2.0V to 5.25V
- Guarantee Output Current, 150mA
- Output Voltage Range: 1.2V to 4.5V
- $V_{OUT}$  Accuracy:  $\pm 1\%$
- Quiescent Current as Low as 0.25 $\mu$ A
- Typical Standby Current 0.02 $\mu$ A
- ESD Protection Exceeds JESD 22
  - Exceeds 4000V Human Body Model (A114)
  - Exceeds 400V Machine Model (A115)
- Latch-Up Exceeds 400mA per JESD 78, Class I
- Moisture Sensitivity: Level 1 per J-STD-020
- Terminals: Finish SnAgCu Balls, Solderable per MIL-STD-202, Method 208 <sup>(e)</sup>1
- Weight: 0.01 grams (Approximate)
- **Totally Lead-Free & Fully RoHS Compliant (Notes 1 & 2)**
- **Halogen and Antimony Free. "Green" Device (Note 3)**
- **For automotive applications requiring specific change control (i.e. parts qualified to AEC-Q100/101/200, PPAP capable, and manufactured in IATF 16949 certified facilities), please [contact us](mailto:contact@diodes.com) or your local Diodes representative. <https://www.diodes.com/quality/product-definitions/>**

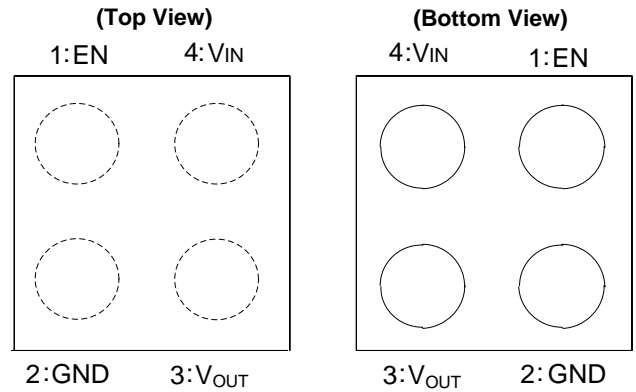
- Notes:
1. No purposely added lead. Fully EU Directive 2002/95/EC (RoHS), 2011/65/EU (RoHS 2) & 2015/863/EU (RoHS 3) compliant.
  2. See <https://www.diodes.com/quality/lead-free/> for more information about Diodes Incorporated's definitions of Halogen- and Antimony-free, "Green" and Lead-free.
  3. Halogen- and Antimony-free "Green" products are defined as those which contain <900ppm bromine, <900ppm chlorine (<1500ppm total Br + Cl) and <1000ppm antimony compounds.

## Typical Applications Circuit (Notes 4 & 5)



- Notes:
4. X5R- and X7R-type capacitors are suggested due to their minimal variation in value and ESR over temperature.
  5. Avoid light exposure of the chip scale package to maintain the expected electrical performance and functionality of the AP7350.

## Pin Assignments


**X2-WLB0606-4**

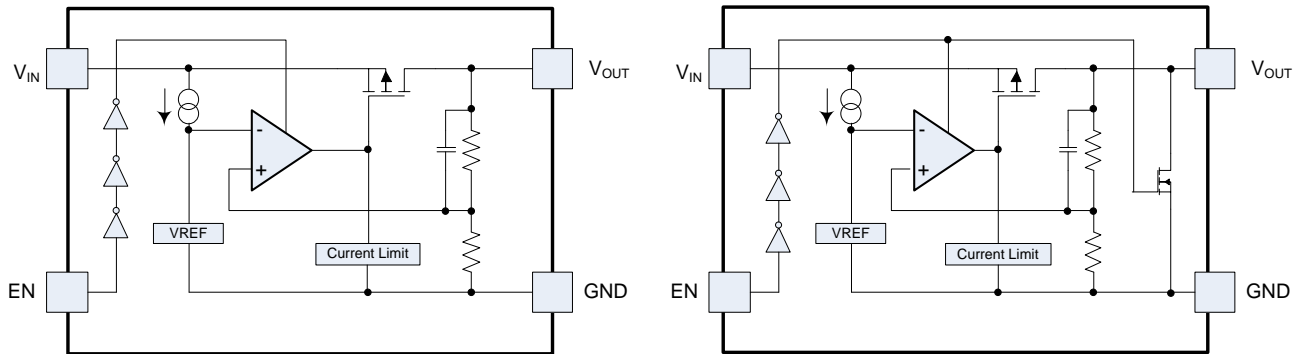
## Applications

- Wearable Electronics
- Sensor Module for Internet-of-Things (IoT)
- Wireless Communication Module
- Battery-Operated Device
- Camera
- Image Sensor

## Pin Descriptions

Pin Number	Pin Name	Function
1	EN	Channel enable pin. This pin should be driven either high or low and must not be floating. Driving this pin high enables regulator output, while pulling it low enable regulator into shutdown mode.
2	GND	Ground
3	V <sub>OUT</sub>	Output voltage pin
4	V <sub>IN</sub>	Power input pin

## Functional Block Diagram



AP7350 (Without Discharge)

AP7350D (With Discharge)

## Absolute Maximum Ratings (Note 6)

Symbol	Parameter	Rating	Unit
ESD HBM	Human Body Model ESD Protection	4	kV
ESD MM	Machine Model ESD Protection	400	V
V <sub>IN</sub>	Input Voltage	6.0	V
V <sub>EN</sub>	Input Voltage at EN pin	6.0	V
V <sub>OUT</sub>	Output Voltage to GND	-0.3 to V <sub>IN</sub> +0.3	V
T <sub>A</sub>	Operating Ambient Temperature	-40 to +85	°C
T <sub>J</sub>	Maximum Junction Temperature	+125	°C
T <sub>STG</sub>	Storage Temperature	-55 to +125	°C
P <sub>D</sub>	Power Dissipation (Note 7)	315	mW

Notes: 6. Stresses beyond those listed under *Absolute Maximum Ratings* can cause permanent damage to the device. These are stress ratings only and functional operation of the device at these conditions is not implied. Exposure to absolute-maximum-rated conditions for extended periods can affect device reliability.

7. This is based on an application temperature of +40°C. Derate 3.75mW per °C for each degree above +40°C.

## Recommended Operating Conditions

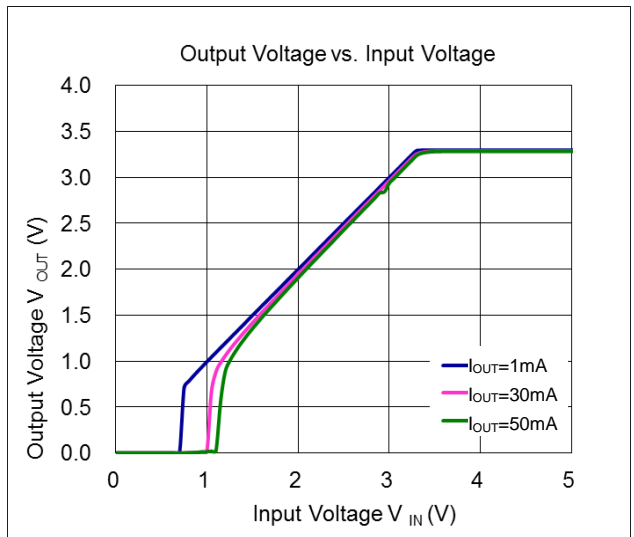
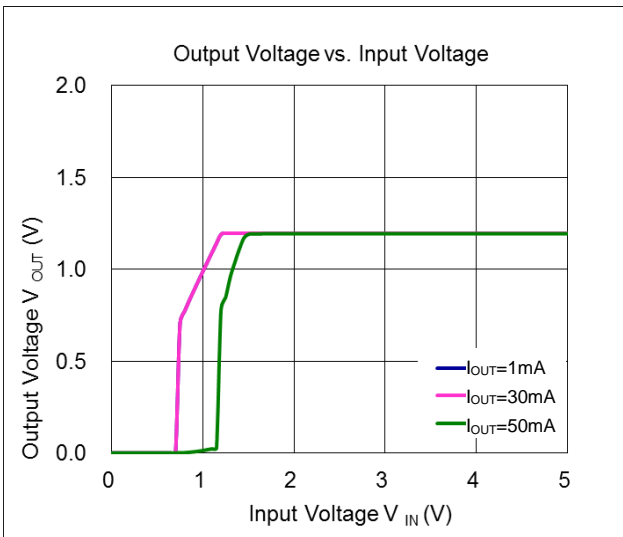
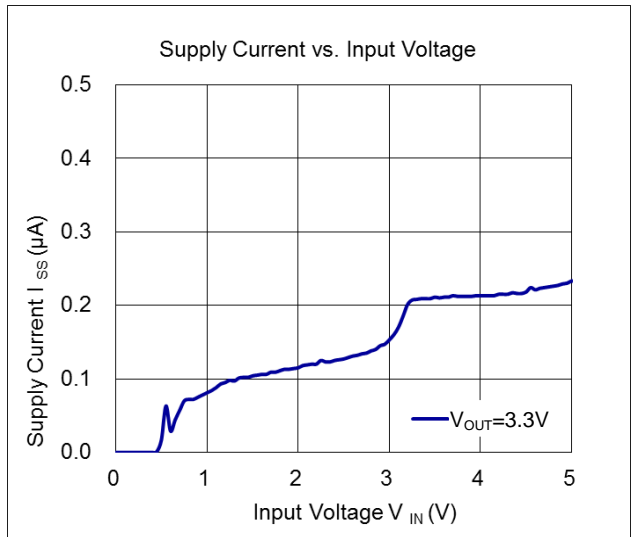
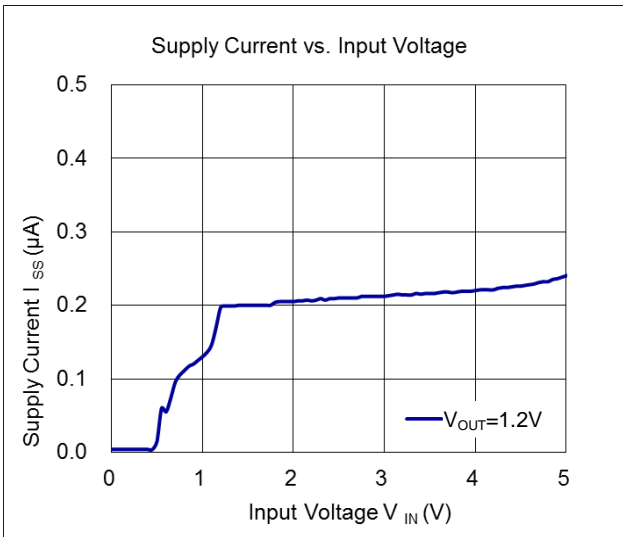
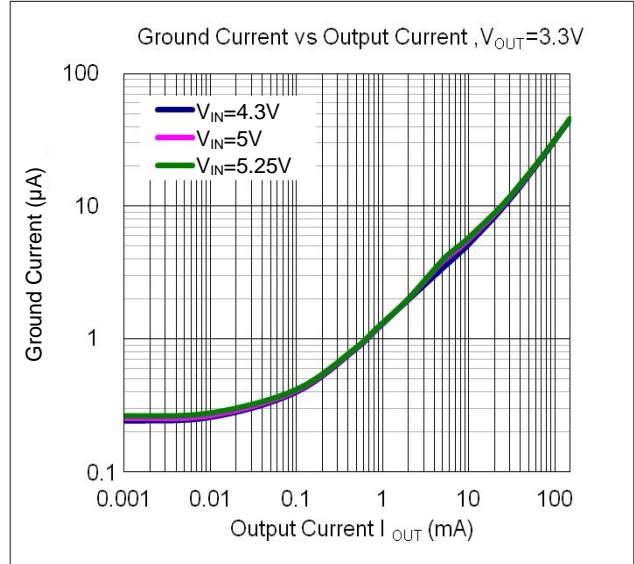
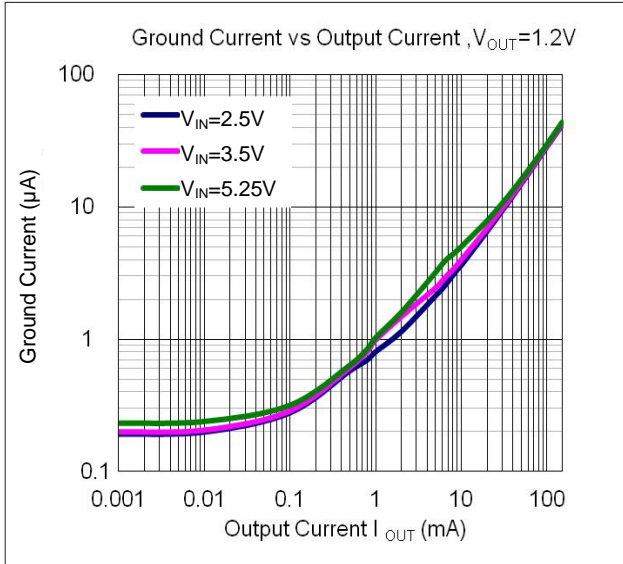
Symbol	Parameter	Min	Max	Unit
V <sub>IN</sub>	Input Voltage	2.0	5.25	V
I <sub>OUT</sub>	Output Current	0	150	mA
T <sub>A</sub>	Operating Ambient Temperature	-40	+85	°C

## Electrical Characteristics (@T<sub>A</sub> = +25°C, V<sub>EN</sub> = V<sub>IN</sub> = 5.0V (V<sub>OUT</sub> > 4.0V), V<sub>EN</sub> = V<sub>IN</sub> = V<sub>OUT</sub>+1V (1.5V < V<sub>OUT</sub> ≤ 4.0V), V<sub>EN</sub> = V<sub>IN</sub> = 2.5V (V<sub>OUT</sub> ≤ 1.5V), I<sub>OUT</sub> = 1mA, C<sub>IN</sub> = C<sub>OUT</sub> = 0.1μF, unless otherwise specified.)

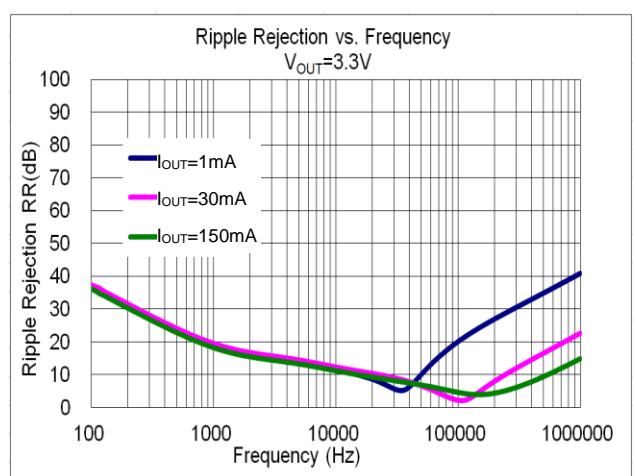
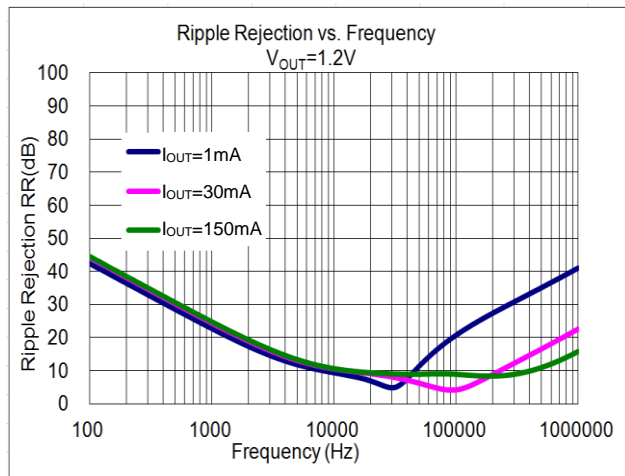
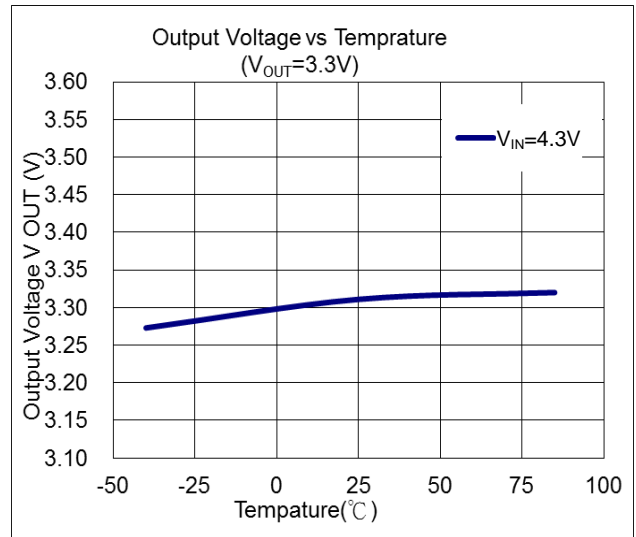
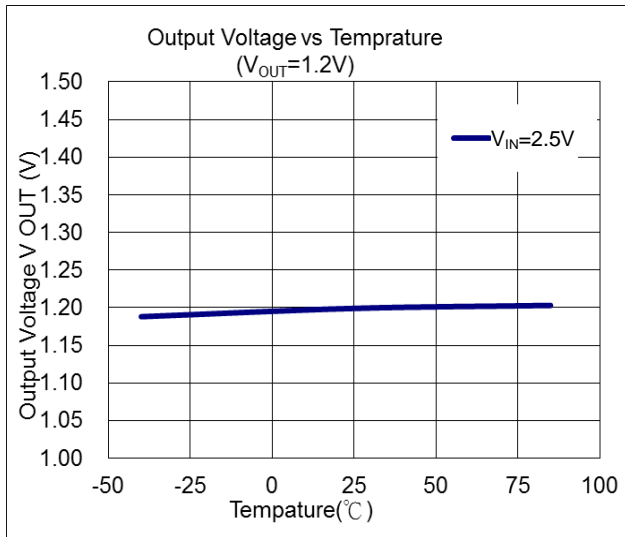
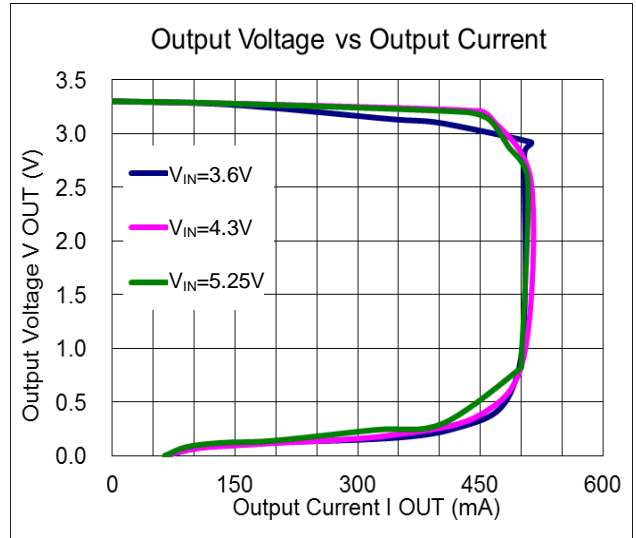
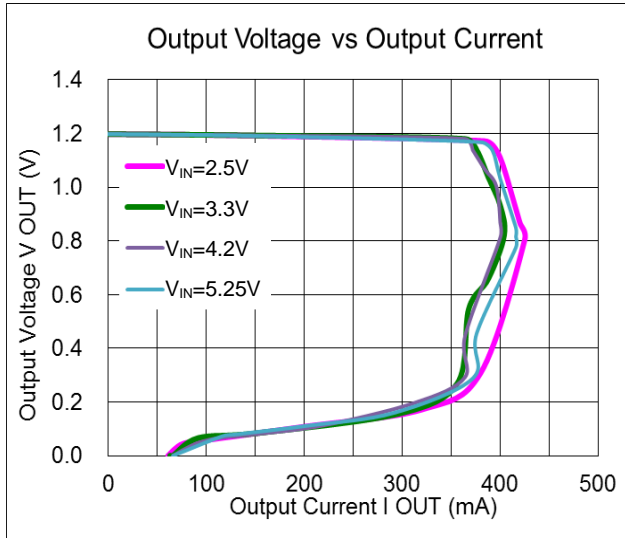
Parameter	Conditions	Min	Typ	Max	Unit	
Input Voltage	T <sub>A</sub> = -40°C to +85°C	2.0	—	5.25	V	
Output Voltage Accuracy	V <sub>OUT</sub> > 2.0V I <sub>OUT</sub> = 1mA	T <sub>A</sub> = +25°C	-1	—	+1	%
		T <sub>A</sub> = -40°C to +85°C	-2	—	+2	
	V <sub>OUT</sub> ≤ 2.0V I <sub>OUT</sub> = 1mA	T <sub>A</sub> = +25°C	-40	—	40	mV
		T <sub>A</sub> = -40°C to +85°C	-80	—	80	
Line Regulation (ΔV <sub>OUT</sub> /ΔV <sub>IN</sub> /V <sub>OUT</sub> )	MAX (V <sub>OUT</sub> + 1.0V, 2.5V) ≤ V <sub>IN</sub> ≤ 5.0V	—	0.02	0.1	%/V	
Load Regulation (ΔV <sub>OUT</sub> )	1mA ≤ I <sub>OUT</sub> ≤ 150mA (all versions except 4.5V)	-25	—	25	mV	
	1mA ≤ I <sub>OUT</sub> ≤ 150mA (applicable to 4.5V version)	-45	—	45	mV	
Short Circuit Current Limit (Note 8)	V <sub>OUT</sub> = 0V	—	60	—	mA	
Quiescent Current (Note 9)	I <sub>OUT</sub> = 0mA	T <sub>A</sub> = +25°C	—	0.25	0.4	μA
		T <sub>A</sub> = -40°C to +85°C	—	—	0.7	μA
Standby Current (I <sub>STANDBY</sub> )	Set EN low, No load	—	0.02	0.2	μA	
Output Current	V <sub>IN</sub> ≥ V <sub>OUT</sub> + V <sub>DROPOUT</sub>	150	—	—	mA	
Dropout Voltage (Note 10)	I <sub>OUT</sub> = 150mA	V <sub>OUT</sub> = 1.2V	—	0.60	0.90	V
		V <sub>OUT</sub> = 1.5V	—	0.43	0.75	
		V <sub>OUT</sub> = 1.8V	—	0.33	0.60	
		V <sub>OUT</sub> = 1.85V	—	0.32	0.58	
		V <sub>OUT</sub> = 2.3V	—	0.25	0.51	
		V <sub>OUT</sub> = 2.5V	—	0.22	0.48	
		V <sub>OUT</sub> = 2.7V	—	0.21	0.44	
		V <sub>OUT</sub> = 2.8V	—	0.19	0.40	
		V <sub>OUT</sub> = 3.0V	—	0.18	0.35	
		V <sub>OUT</sub> = 3.3V	—	0.16	0.35	
V <sub>OUT</sub> = 4.5V	—	0.14	0.35			
Thermal Resistance Junction-to-Ambient (θ <sub>JA</sub> ) (Note 11)	Package: X2-WLB0606-4	—	267	—	°C/W	
EN Input Low Voltage	—	—	—	0.4	V	
EN Input High Voltage	—	1.0	—	5.25	V	
Active Output Discharge Resistance (Note 12)	V <sub>IN</sub> = 4.0V, V <sub>EN</sub> = 0V	—	35	—	Ω	

- Notes:
- Short circuit current is measured with V<sub>OUT</sub> pulled to GND.
  - Quiescent current defined here is the difference in current between the input and the output.
  - Dropout voltage is the voltage difference between the input and the output at which the output voltage drops 2% below its nominal value.
  - Test condition: X2-WLB0606-4 is mounted on PCB (compliant with JEDEC standard).
  - AP7350 is available with 2 options: built-in discharge (AP7350D) and non-discharge (AP7350).

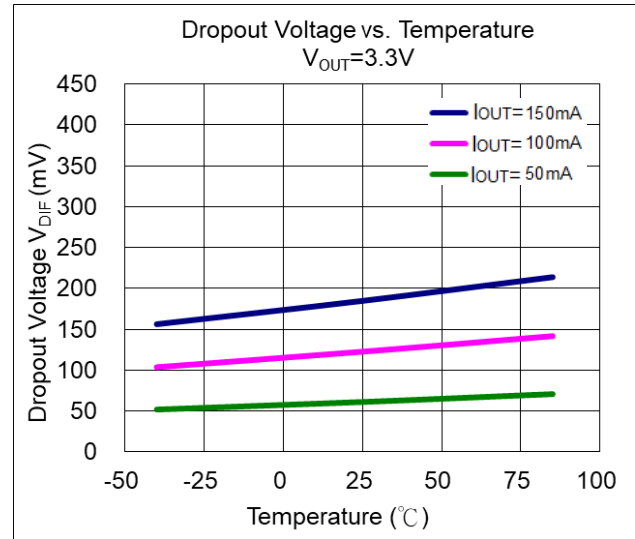
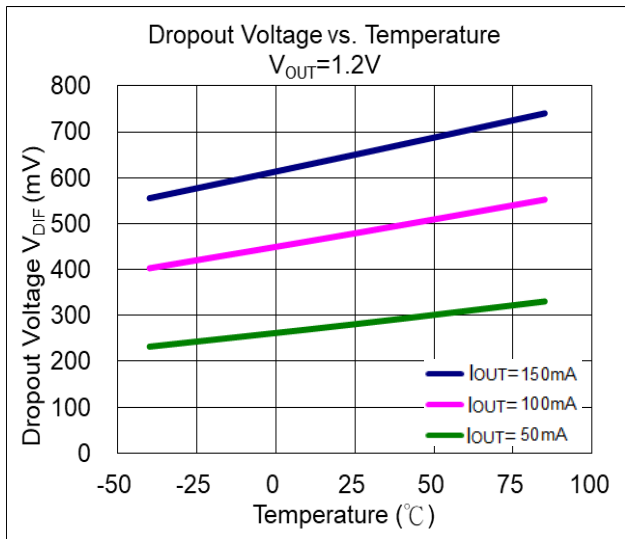
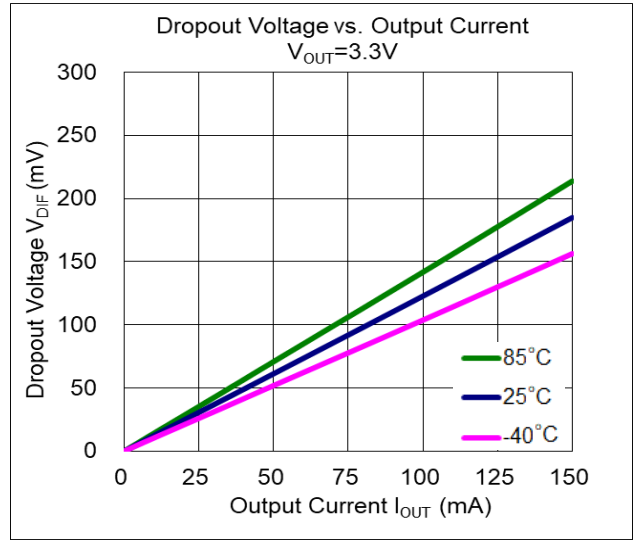
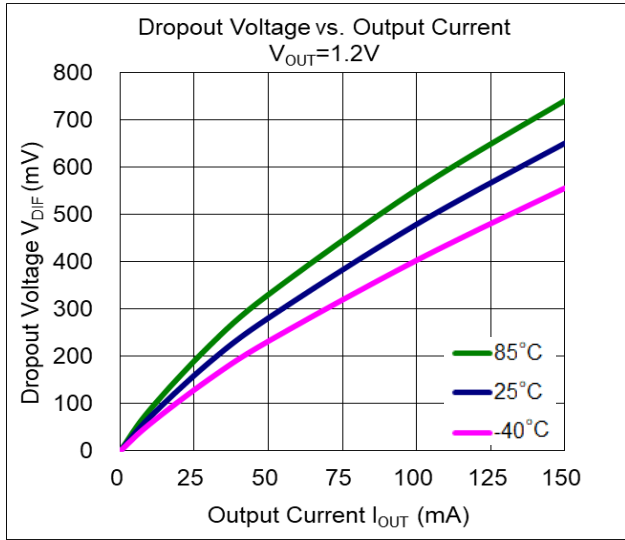
**Performance Characteristics**



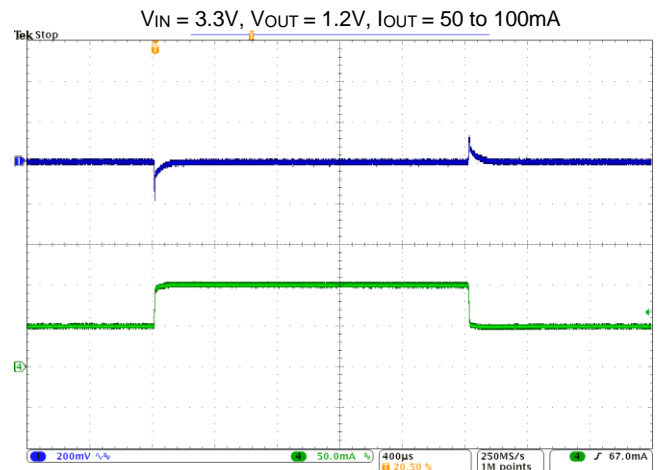
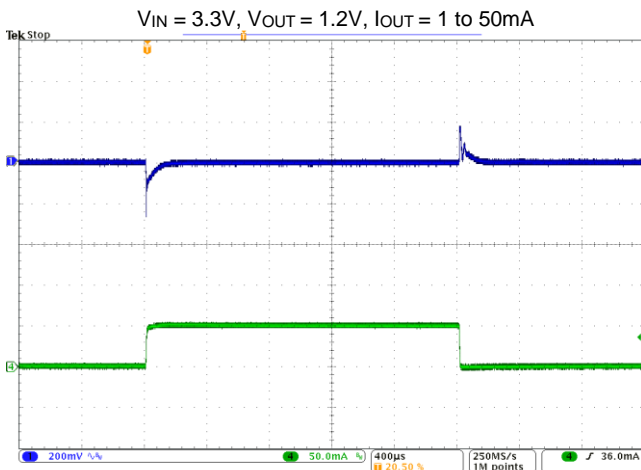
**Performance Characteristics** (continued)



**Performance Characteristics** (continued)

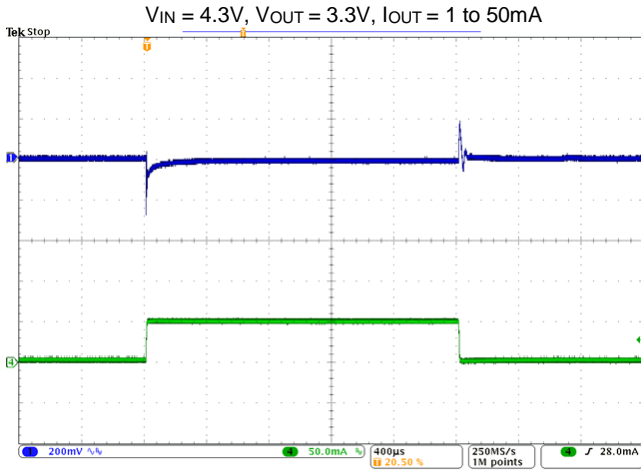


**Load Transient Response ( $C_{IN} = C_{OUT} = 0.1\mu F$ ,  $t_R = t_F = 5.0\mu s$ , unless otherwise specified.)**

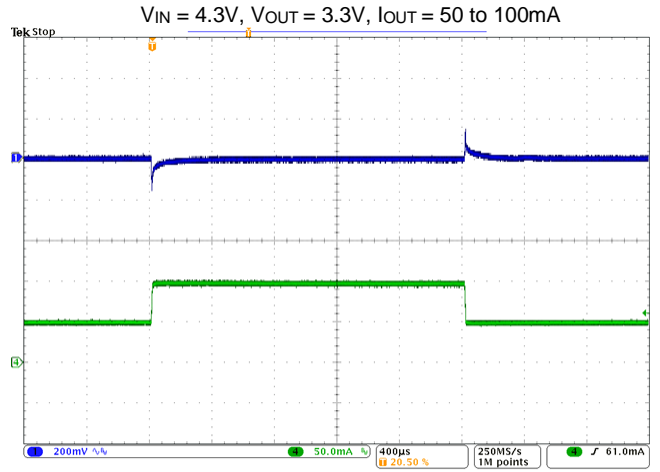


**Performance Characteristics** (continued)

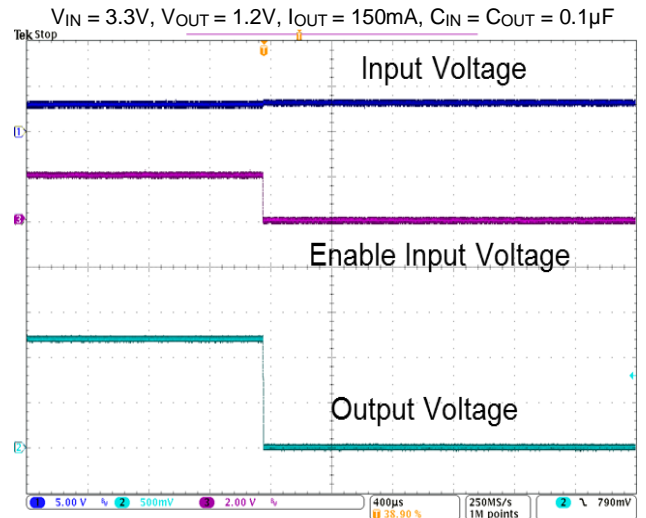
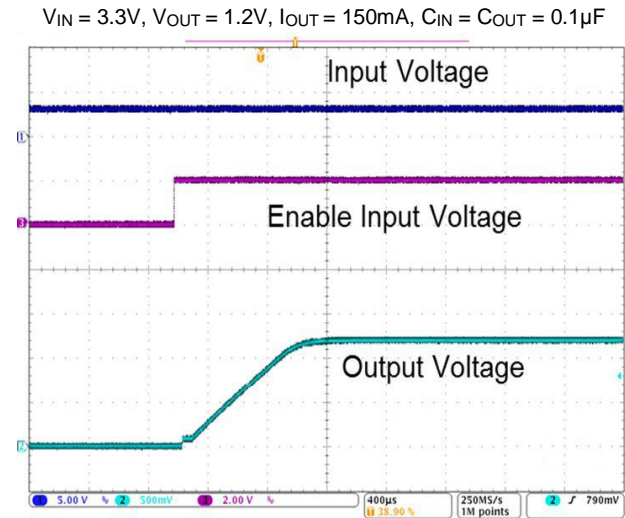
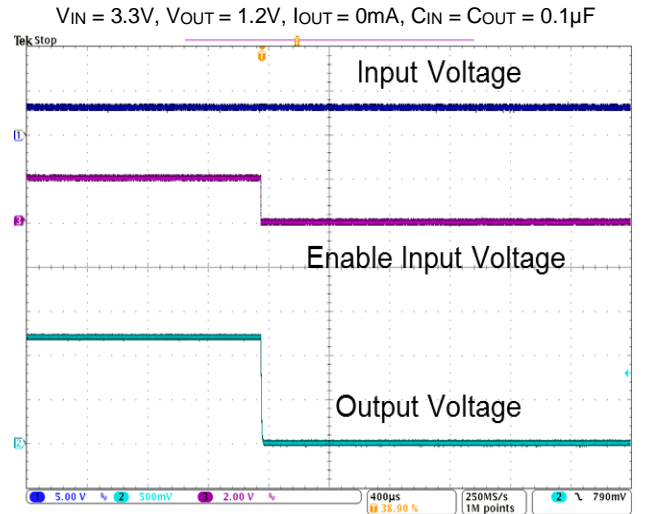
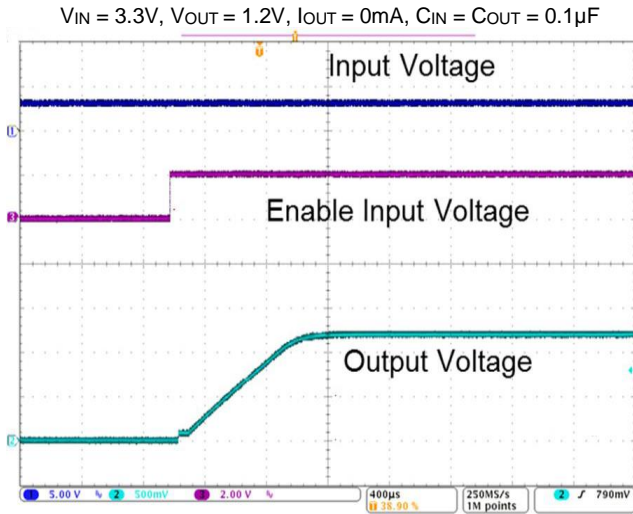
**Load Transient Response ( $C_{IN} = C_{OUT} = 0.1\mu F$ ,  $t_R = t_F = 5.0\mu s$ , unless otherwise specified.)**



**Turn On**

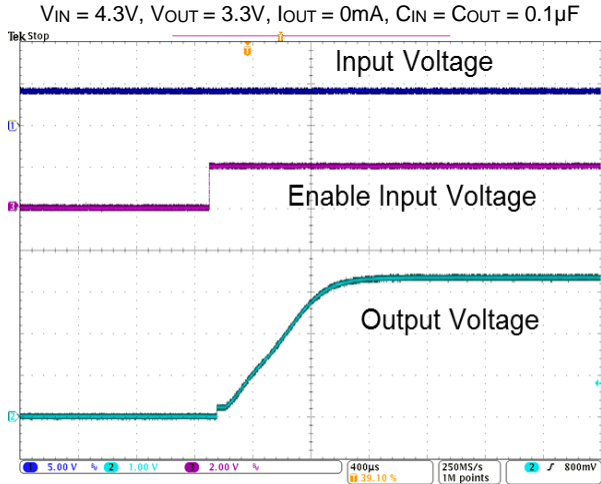


**Turn Off**

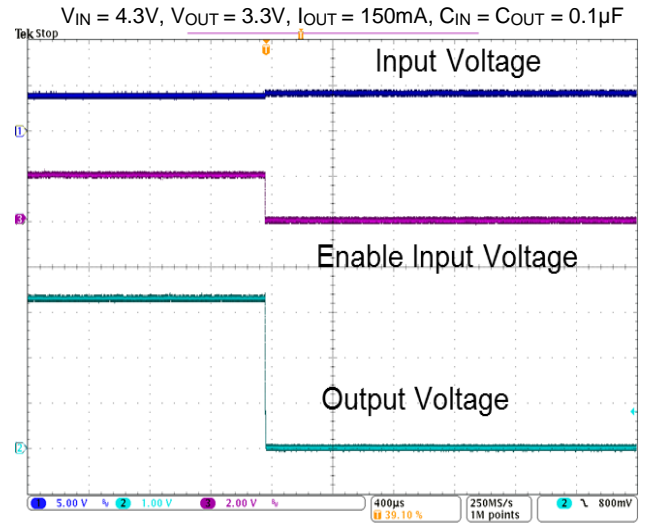
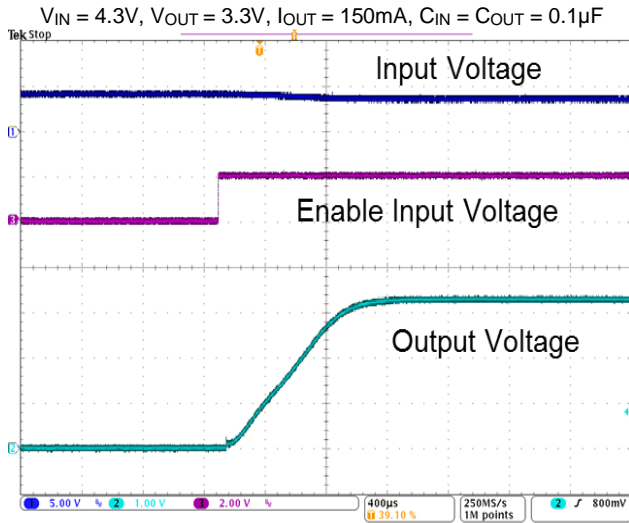
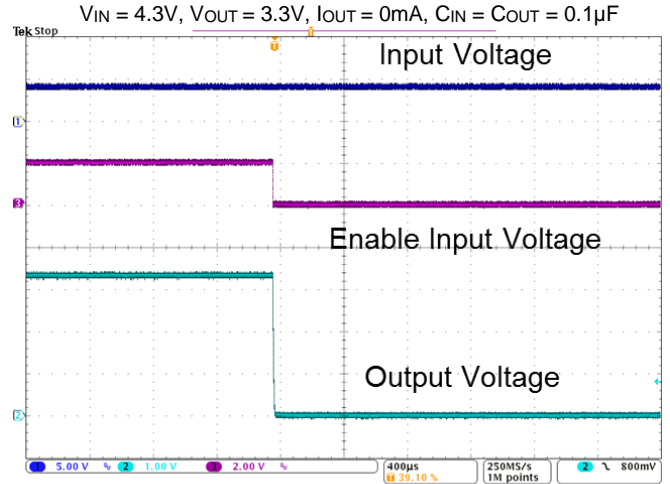


**Performance Characteristics** (continued)

**Turn On**



**Turn Off**



## Application Information

### Output Capacitor

An output capacitor ( $C_{OUT}$ ) is needed to improve transient response and maintain stability. The AP7350 is stable with very small ceramic output capacitors. The ESR (Equivalent Series Resistance) and capacitance drive the selection. If the application has large load variations, it is recommended to utilize low-ESR bulk capacitors. It is recommended to place ceramic capacitors as close as possible to the load and the GND pin and care should be taken to reduce the impedance in the layout.

### Input Capacitor

To prevent the input voltage from dropping during load steps, it is recommended to utilize an input capacitor ( $C_{IN}$ ). A minimum  $0.1\mu\text{F}$  ceramic capacitor is recommended between  $V_{IN}$  and GND pin to decouple input power supply glitch. This input capacitor must be located as close as possible to the device to assure input stability and reduce noise. For PCB layout, a wide copper trace is required for both  $V_{IN}$  and GND pin.

### Enable Control

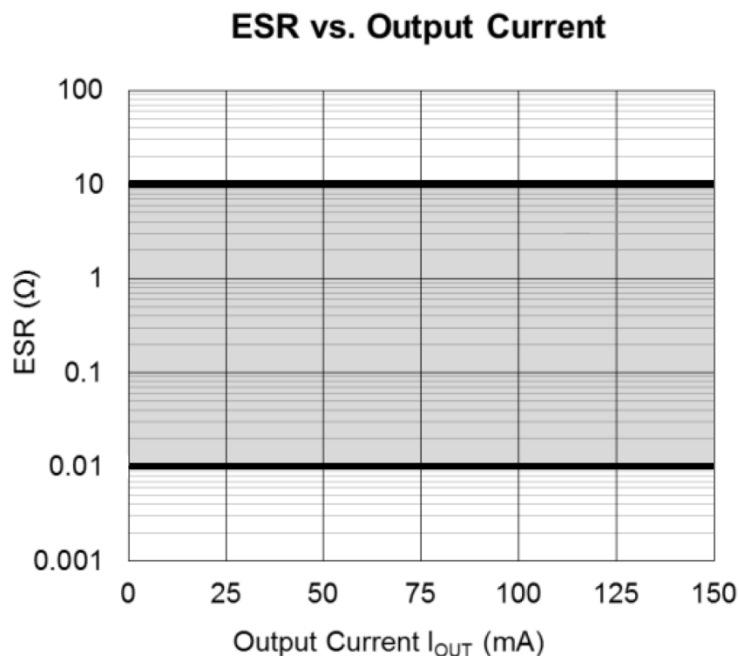
The AP7350 is turned on by setting the EN pin high, and is turned off by pulling it low. If this feature is not used, the EN pin should be tied to  $V_{IN}$  pin to keep the regulator output on at all time. To ensure proper operation, the signal source used to drive the EN pin must be able to swing above and below the specified turn-on/off voltage thresholds listed in the *Electrical Characteristics* section.

### Layout Considerations

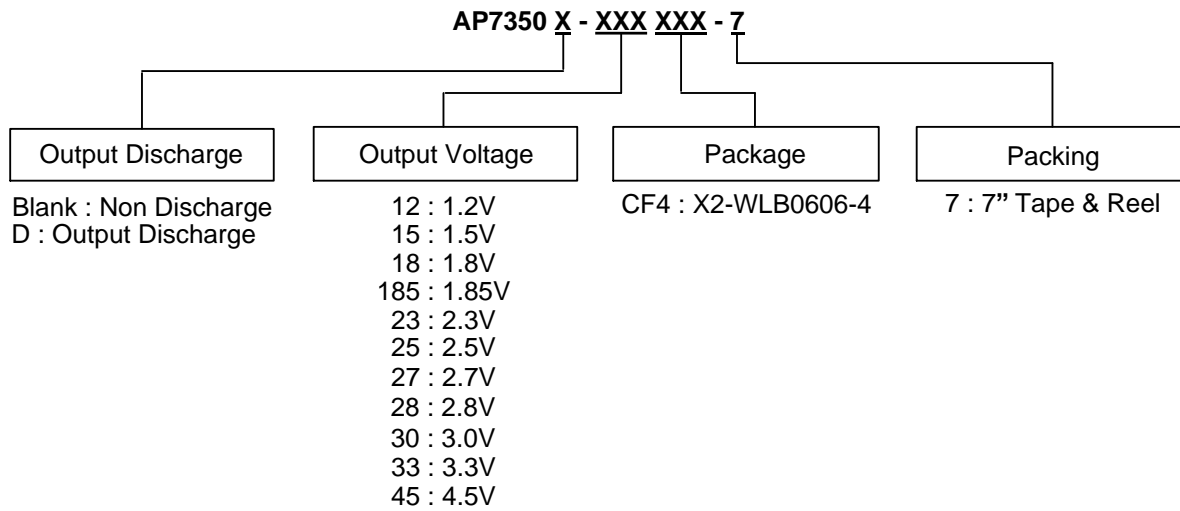
For good ground loop and stability, the input and output capacitors should be located close to the input, output, and GND pin of the device. The regulator GND pin should be connected to the external circuit ground to reduce voltage drop caused by trace impedance. Ground plane is generally used to reduce trace impedance. Wide trace should be used for large current paths from  $V_{IN}$  to  $V_{OUT}$ , and load circuit.

## ESR vs. Output Current

A ceramic type output capacitor is recommended for this series; however, the other output capacitors with low ESR also can be used. The relations between  $I_{OUT}$  (Output Current) and ESR of an output capacitor are shown below. The stable region is marked as the hatched area in the graph. Measurement conditions: Frequency Band: 10Hz to 2MHz, Temperature:  $-40^{\circ}\text{C}$  to  $+85^{\circ}\text{C}$ .



## Ordering Information (Note 13)



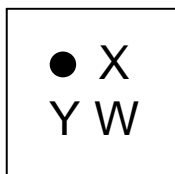
Device Without Discharge	Device With Discharge	Output Voltage	Package Code	Package	7" Tape and Reel	
					Quantity	Part Number Suffix
AP7350-12CF4-7	AP7350D-12CF4-7	1.2	CF4	X2-WLB0606-4	3,000/Tape & Reel	-7
AP7350-15CF4-7	AP7350D-15CF4-7	1.5	CF4	X2-WLB0606-4	3,000/Tape & Reel	-7
AP7350-18CF4-7	AP7350D-18CF4-7	1.8	CF4	X2-WLB0606-4	3,000/Tape & Reel	-7
AP7350-185CF4-7	AP7350D-185CF4-7	1.85	CF4	X2-WLB0606-4	3,000/Tape & Reel	-7
AP7350-23CF4-7	AP7350D-23CF4-7	2.3	CF4	X2-WLB0606-4	3,000/Tape & Reel	-7
AP7350-25CF4-7	AP7350D-25CF4-7	2.5	CF4	X2-WLB0606-4	3,000/Tape & Reel	-7
AP7350-27CF4-7	AP7350D-27CF4-7	2.7	CF4	X2-WLB0606-4	3,000/Tape & Reel	-7
AP7350-28CF4-7	AP7350D-28CF4-7	2.8	CF4	X2-WLB0606-4	3,000/Tape & Reel	-7
AP7350-30CF4-7	AP7350D-30CF4-7	3.0	CF4	X2-WLB0606-4	3,000/Tape & Reel	-7
AP7350-33CF4-7	AP7350D-33CF4-7	3.3	CF4	X2-WLB0606-4	3,000/Tape & Reel	-7
AP7350-45CF4-7	AP7350D-45CF4-7	4.5	CF4	X2-WLB0606-4	3,000/Tape & Reel	-7

Note: 13. For packaging details, go to our website at <https://www.diodes.com/design/support/packaging/diodes-packaging/>.

## Marking Information

(1) X2-WLB0606-4

(Top View)



X or  $\bar{X}$  : Identification Code

Y : Year : 0~9

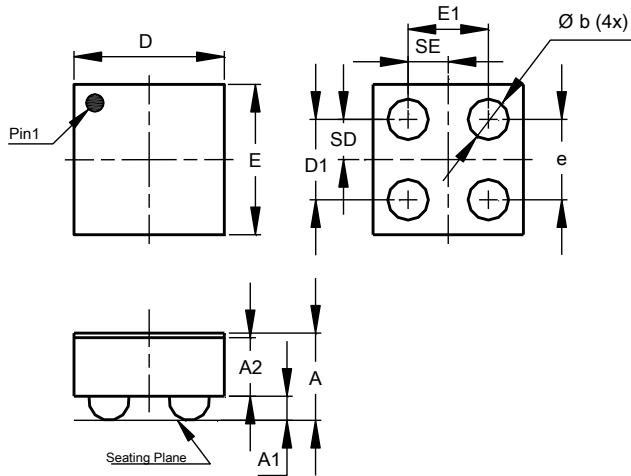
W : Week : A~Z : 1~26 week;  
a~z : 27~52 week; z represents  
52 and 53 week

Part Number	V <sub>OUT</sub>	Package	Identification Code
AP7350-12CF4-7	1.2V	X2-WLB0606-4	A
AP7350-15CF4-7	1.5V	X2-WLB0606-4	B
AP7350-18CF4-7	1.8V	X2-WLB0606-4	C
AP7350-185CF4-7	1.85V	X2-WLB0606-4	R
AP7350-23CF4-7	2.3V	X2-WLB0606-4	9
AP7350-25CF4-7	2.5V	X2-WLB0606-4	D
AP7350-27CF4-7	2.7V	X2-WLB0606-4	$\bar{A}$
AP7350-28CF4-7	2.8V	X2-WLB0606-4	E
AP7350-30CF4-7	3.0V	X2-WLB0606-4	F
AP7350-33CF4-7	3.3V	X2-WLB0606-4	G
AP7350-45CF4-7	4.5V	X2-WLB0606-4	7
AP7350D-12CF4-7	1.2V	X2-WLB0606-4	H
AP7350D-15CF4-7	1.5V	X2-WLB0606-4	J
AP7350D-18CF4-7	1.8V	X2-WLB0606-4	K
AP7350D-185CF4-7	1.85V	X2-WLB0606-4	S
AP7350D-23CF4-7	2.3V	X2-WLB0606-4	$\bar{9}$
AP7350D-25CF4-7	2.5V	X2-WLB0606-4	L
AP7350D-27CF4-7	2.7V	X2-WLB0606-4	$\bar{B}$
AP7350D-28CF4-7	2.8V	X2-WLB0606-4	M
AP7350D-30CF4-7	3.0V	X2-WLB0606-4	N
AP7350D-33CF4-7	3.3V	X2-WLB0606-4	P
AP7350D-45CF4-7	4.5V	X2-WLB0606-4	8

**Package Outline Dimensions**

Please see <http://www.diodes.com/package-outlines.html> for the latest version.

**X2-WLB0606-4**

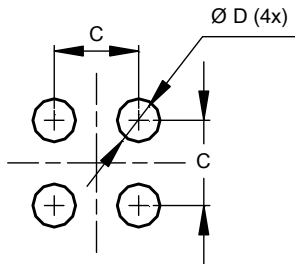


X2-WLB0606-4			
Dim	Min	Max	Typ
A	0.300	0.380	0.340
A1	0.075	0.105	0.090
A2	0.205	0.255	0.230
b	0.110	0.190	0.150
D	0.625	0.655	0.640
D1	0.300	0.400	0.350
E	0.625	0.655	0.640
E1	0.300	0.400	0.350
e	0.350 BSC		
SD	0.175 BSC		
SE	0.175 BSC		
<b>All Dimensions in mm</b>			

**Suggested Pad Layout**

Please see <http://www.diodes.com/package-outlines.html> for the latest version.

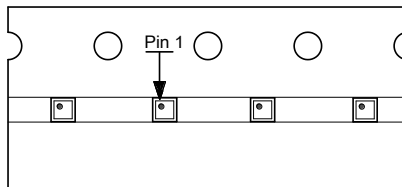
**X2-WLB0606-4**



Dimensions	Value (in mm)
C	0.350
D	0.150

**Tape Orientation**

The taping orientation of the other package type can be found on our website at <https://www.diodes.com/assets/Packaging-Support-Docs/Ap02007.pdf>.



#### IMPORTANT NOTICE

DIODES INCORPORATED MAKES NO WARRANTY OF ANY KIND, EXPRESS OR IMPLIED, WITH REGARDS TO THIS DOCUMENT, INCLUDING, BUT NOT LIMITED TO, THE IMPLIED WARRANTIES OF MERCHANTABILITY AND FITNESS FOR A PARTICULAR PURPOSE (AND THEIR EQUIVALENTS UNDER THE LAWS OF ANY JURISDICTION).

Diodes Incorporated and its subsidiaries reserve the right to make modifications, enhancements, improvements, corrections or other changes without further notice to this document and any product described herein. Diodes Incorporated does not assume any liability arising out of the application or use of this document or any product described herein; neither does Diodes Incorporated convey any license under its patent or trademark rights, nor the rights of others. Any Customer or user of this document or products described herein in such applications shall assume all risks of such use and will agree to hold Diodes Incorporated and all the companies whose products are represented on Diodes Incorporated website, harmless against all damages.

Diodes Incorporated does not warrant or accept any liability whatsoever in respect of any products purchased through unauthorized sales channel. Should Customers purchase or use Diodes Incorporated products for any unintended or unauthorized application, Customers shall indemnify and hold Diodes Incorporated and its representatives harmless against all claims, damages, expenses, and attorney fees arising out of, directly or indirectly, any claim of personal injury or death associated with such unintended or unauthorized application.

Products described herein may be covered by one or more United States, international or foreign patents pending. Product names and markings noted herein may also be covered by one or more United States, international or foreign trademarks.

This document is written in English but may be translated into multiple languages for reference. Only the English version of this document is the final and determinative format released by Diodes Incorporated.

#### LIFE SUPPORT

Diodes Incorporated products are specifically not authorized for use as critical components in life support devices or systems without the express written approval of the Chief Executive Officer of Diodes Incorporated. As used herein:

A. Life support devices or systems are devices or systems which:

1. are intended to implant into the body, or
2. support or sustain life and whose failure to perform when properly used in accordance with instructions for use provided in the labeling can be reasonably expected to result in significant injury to the user.

B. A critical component is any component in a life support device or system whose failure to perform can be reasonably expected to cause the failure of the life support device or to affect its safety or effectiveness.

Customers represent that they have all necessary expertise in the safety and regulatory ramifications of their life support devices or systems, and acknowledge and agree that they are solely responsible for all legal, regulatory and safety-related requirements concerning their products and any use of Diodes Incorporated products in such safety-critical, life support devices or systems, notwithstanding any devices- or systems-related information or support that may be provided by Diodes Incorporated. Further, Customers must fully indemnify Diodes Incorporated and its representatives against any damages arising out of the use of Diodes Incorporated products in such safety-critical, life support devices or systems.

Copyright © 2020, Diodes Incorporated

[www.diodes.com](http://www.diodes.com)

## Looking for pricing, stock, or lifecycle information?

Click below to explore more details on WIN SOURCE:

- ⊖ [View AP7350-45CF4-7 on WIN SOURCE](#)
- ⊖ [Diodes Incorporated Information](#)

## Optimize Your Supply Chain with WIN SOURCE Solutions

- ✓ Global Sourcing Solution
- ✓ Obsolete Management
- ✓ Cost Control Management
- ✓ Shortage Management
- ✓ Alternative Solution
- ✓ Excess Inventory Management