



**THE DATASHEET OF
AP6M122-G**



AP Series – Miniature Pilot Lights

Key features:

- Long service life, low maintenance
- Space saving miniature style
- Dome or flat lens models
- Built-in current-limiting resistor
- Five illumination colors: red, green, amber, yellow, and white
- Transformer (120V AC and 240V AC) and DC-DC Converter (110V DC) options on 12mm and 16mm units



*AP8/AP1 series only.

Specifications

| | |
|------------------------|--|
| Lamp | Built-in LED with current limiting resistor |
| Operational Voltage | 5, 6, 12, 24VDC (full voltage), 110/120, 220/240VAC, (with transformer) 110VDC (with converter) |
| Current Ratings | AP8: 5V DC/9mA, 12V DC/9mA, 24V DC/9mA, 12V AC/15mA, 24V AC/15mA AP1: 5V DC/9mA, 12V DC/9mA, 24V DC/9mA, 12V AC/15mA, 24V AC/15mA AP2: 6V DC/33mA, 12V DC/22mA, 24V DC/11mA AP6: 6V DC/33mA, 12V DC/22mA, 24V DC/11mA |
| Operating Temp. | -20°C to +55°C |
| Operating Humidity | 45 to 85% RH |
| Insul. Resistance | 100MΩ min. (500V DC megger) Between live and dead parts |
| Rev. Withstand Voltage | AP2/AP6: 100V AP1/AP8: 200V |
| Solder Terminal | Soldering 260°C maximum (5 sec.) |
| Degree of Protection | AP8: IP40 (dustproof) Other Series: IP65 (oiltight) |

Optional Adaptors/Converters

| Model | Transformer | DC-DC Converter |
|-----------------------|--|--|
| Applicable Units | AP2 & AP6 (with 6V LED only) | |
| Operating Voltage | 110/120VAC 50/60 Hz 220/240VAC 50/60 Hz | 110V DC (90 to 140V DC) |
| Power Consumption | 1.6 VA maximum | 1W maximum |
| Insulation Voltage | 250 V AC | 140V DC |
| Insulation Resistance | 10MΩ min. (500V DC megger) Between live and dead parts | |
| Dielectric Strength | 2,000V AC, 1 minute Between live/dead parts 2,000V AC, 1 minute Between terminals | 2,000V AC, 1 minute Between live/dead parts 1,500V AC, 1 minute Between terminals |

Available as one piece only (replacement LEDs are not available).

Miniature Pilot Lights

AP Miniature Pilot Lights - ø8 & ø10mm

| Style | Lens Style | Operating Voltage | Part Numbers |
|--------------------|------------|--|-------------------------------------|
| AP8 Series - ø8mm | Dome | 5V DC +/- 5% 12V AC/DC +/- 10% 24V AC/DC +/- 10% | AP8M255-Ⓣ AP8M211-Ⓣ AP8M222-Ⓣ |
| | Flat | 5V DC +/- 5% 12V AC/DC +/- 10% 24V AC/DC +/- 10% | AP8M155-Ⓣ AP8M111-Ⓣ AP8M122-Ⓣ |
| AP1 Series - ø10mm | Dome | 5V DC +/- 5% 12V AC/DC +/- 10% 24V AC/DC +/- 10% | AP1M255-Ⓣ AP1M211-Ⓣ AP1M222-Ⓣ |
| | Flat | 5V DC +/- 5% 12V AC/DC +/- 10% 24V AC/DC +/- 10% | AP1M155-Ⓣ AP1M111-Ⓣ AP1M122-Ⓣ |

Ⓣ Color Codes

| Color | Code |
|------------|------|
| Amber | A |
| Green | G |
| Red | R |
| Blue | S* |
| Warm White | W |
| Cool White | PW |
| Yellow | Y |

* Available in only the AP8 and AP1 series.

- 1. In place of Ⓣ, specify the color code.
- 2. For dimensions, see page 489.
- 3. For accessories, see page 488.

AP Miniature Pilot Lights - ø12 & ø16mm

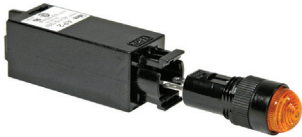
| Style | Lens Style | Operating Voltage | Part Numbers |
|--------------------|------------|--|-------------------------------------|
| AP2 Series - ø12mm | Dome | 6V DC +/- 5% 12V DC +/- 10% 24V DC +/- 10% | AP2M266-Ⓣ AP2M211-Ⓣ AP2M222-Ⓣ |
| | Flat | 6V DC +/- 5% 12V DC +/- 10% 24V DC +/- 10% | AP2M166-Ⓣ AP2M111-Ⓣ AP2M122-Ⓣ |
| AP6 Series - ø16mm | Dome | 6V DC +/- 5% 12V DC +/- 10% 24V DC +/- 10% | AP6M266-Ⓣ AP6M211-Ⓣ AP6M222-Ⓣ |
| | Flat | 6V DC +/- 5% 12V DC +/- 10% 24V DC +/- 10% | AP6M166-Ⓣ AP6M111-Ⓣ AP6M122-Ⓣ |

Ⓣ Color Codes

| Color | Code |
|------------|------|
| Amber | A |
| Green | G |
| Red | R |
| Warm White | W |
| Yellow | Y |

- 1. In place of Ⓣ, specify the color code.
- 2. For dimensions, see page 489.
- 3. For accessories, see page 488.





Optional Transformers and DC-DC Converters (for AP2 and AP6 only)

| Style | Voltage | Part Numbers | | |
|---|-----------------|----------------------------|------------------------|------------------------|
| | | Used with AP2 Series | Used with AP6 Series | |
|  | Transformer | 110/120V AC 220/240V AC | AP2-0126D AP2-0246D | AP6-0126D AP6-0246D |
| | DC-DC Converter | 110V DC (90-140V DC) | AP2-016DD | AP6-016DD |

- 1. Optional Transformers and DC-DC converters snap onto the back of AP2 or AP6 pilot lights.
- 2. Transformers and DC-DC Converters step down to 6V.
- 3. For dimensions, see page 489.

Switches & Pilot Devices

Accessories – AP Series

| Item | Appearance | Description | Used With | Part Number |
|--------------------------|---|--|---|-------------|
| Locking Ring Wrench |  | Made of metal. Used for tightening plastic locking ring during installation. Tightening torque should not exceed 3kgf-cm | Ø 16mm units | MT-001 |
| | | | Ø 12mm units | MT-002 |
| | | | Ø 10mm units | MT-003 |
| | | | Ø 8mm units | MT-004 |
| Mounting Hole Plug |  | Made of rubber. Fills unused mounting holes to provide IP65 protection | Unused 8mm panel cutouts | AL-B8 |
| | | | Unused 10mm panel cutouts | AL-B1 |
| | | | Unused 12mm panel cutouts | AL-B2 |
| | | | Unused 16mm panel cutouts | AL-B6 |
| Transformer Removal Tool |  | A Series Blank/Lens Removal Tool | AP2 and AP6 snap on transformer and DC-DC converter | MT-100 |
| Replacement Lenses |  | Lenses (included with all units). | AP1M Flat | AP1M-L1-Ⓢ |
| | | | AP1M Dome | AP1M-L2-Ⓢ |
| | | | AP2M Flat | AP2M-L1-Ⓢ |
| | | | AP2M Dome | AP2M-L2-Ⓢ |
| | | | AP6M Flat | AP6M-L1-Ⓢ |
| | | | AP6M Dome | AP6M-L2-Ⓢ |

Signaling Lights

Relays & Sockets

- 1. In place of Ⓢ, specify the Lens Color Code.
- 2. Internal LED is fixed and cannot be removed or replaced.

Ⓢ Lens Color Codes

| Color | Code |
|--------|------|
| Amber | A |
| Green | G |
| Red | R |
| Blue | S* |
| White | W |
| Yellow | Y |

Timers

Contactors

*Blue available in AP8/AP1 series only.

Terminal Blocks

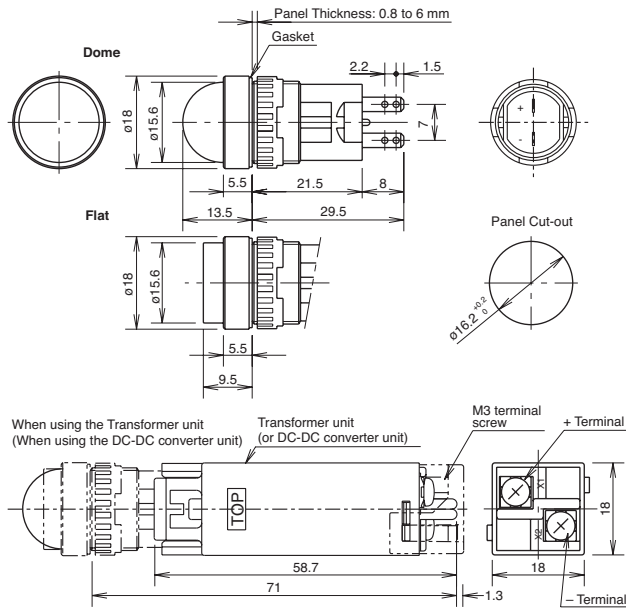
Circuit Breakers

Dimensions – AP Series

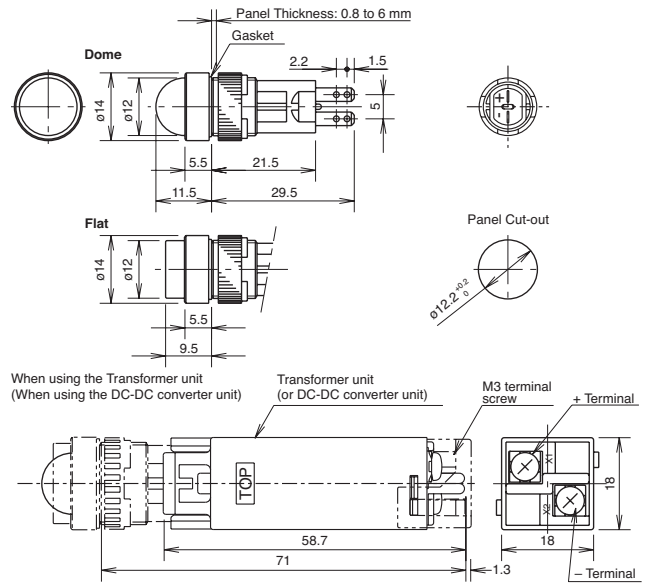
Pilot Lights (AP Series)

| Style | AP8 | | AP1 | | AP2 | | | AP6 | | |
|-------------------|--|------|---|------|--|------|-------------------------|--|------|-------------------------|
| | Flat | Dome | Flat | Dome | Flat | Dome | w/ Adaptor or Converter | Flat | Dome | w/ Adaptor or Converter |
| Panel Cut-out | Ø 0.319" (+0.0118, -0) 8.1mm (+0.3, -0) | | Ø 0.398" (+0.0118, -0) 10.1mm (+0.3, -0) | | Ø 0.480" (+0.0118, -0) 12.2mm (+0.3, -0) | | | Ø 0.638" (+0.0118, -0) 16.2mm (+0.3, -0) | | |
| Outside Dimension | Ø 0.386" (9.8mm) | | Ø 0.472" (12mm) | | Ø 0.551" (14mm) | | □ 0.709" (18mm) | Ø 0.709" (18mm) | | □ 0.709" (18mm) |

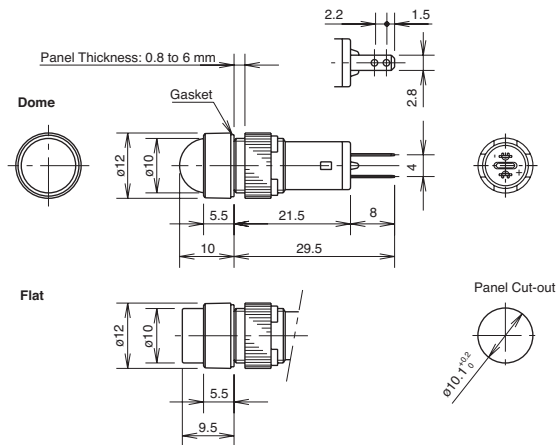
AP6



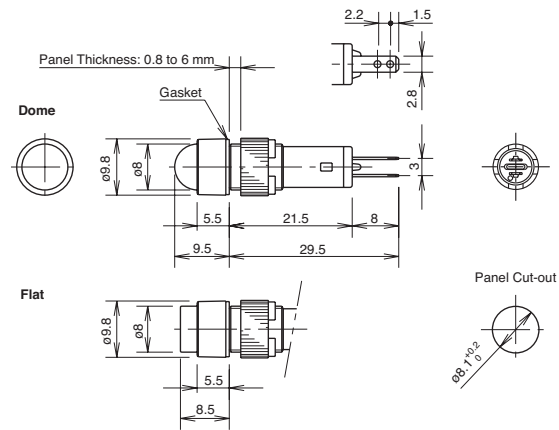
AP2



AP1



AP8



Switches & Pilot Devices

Signaling Lights

Relays & Sockets

Timers



Contactors

Terminal Blocks


Circuit Breakers

Looking for pricing, stock, or lifecycle information?

Click below to explore more details on WIN SOURCE:

-  [View AP6M122-G on WIN SOURCE](#)
-  [IDEC Information](#)

Optimize Your Supply Chain with WIN SOURCE Solutions

-  Global Sourcing Solution
-  Obsolete Management
-  Cost Control Management
-  Shortage Management
-  Alternative Solution
-  Excess Inventory Management