



**THE DATASHEET OF
AISC-0805HQ-27NJ-T**



HIGH Q CERAMIC WIRE WOUND INDUCTORS

AISC-0805HQ



RoHS/RoHS II Compliant



2.29 x 1.73 x 1.52mm

FEATURES:

- Higher Q and lower DCR than other 0805 inductors
- Very high SRF – as high as 6 GHz
- Excellent current handling capability – up to 1600mA
- Wide range of Inductance values available for flexible needs
- Tight tolerance of 2% is available.

APPLICATIONS:

- Widely used in communications applications such as cell phones, cable modems, ADSL, repeaters.
- Bluetooth, W-LAN, GPS, Broadband Network
- Video cameras, liquid crystal television, and other electronic devices
- Suitable for RF circuit

ELECTRICAL SPECIFICATIONS:

PARAMETERS

ABRACON P/N:	AISC-0805HQ
Operating temperature:	-40°C to + 125°C in Tape & Reel
Storage temperature in Tape and Reel:	+22°C to +28°C, 80% RH max.

Part Number AISC-0805HQ- Inductance Code	Inductance	Tolerance	Min. Quality Factor	L/Q Test Freq.	Max. DC Resistance	Max. Rated Current	Min. Self- resonant Frequency	Color Code
Units	nH	-	-	MHz	Ω	mA	GHz	
Symbol	L	-	Q	Freq.	DCR	I _r	S.R.F	
AISC-0805HQ-2N5	2.5	J, K	80	250/1500	0.020	1600	6.00	None
AISC-0805HQ-5N6	5.6	J, K	98	250/1500	0.035	1600	6.00	Brown
AISC-0805HQ-6N2	6.2	J, K	88	250/1000	0.035	1600	4.75	Red
AISC-0805HQ-6N8	6.8	J, K	80	250/1000	0.035	1600	4.40	White
AISC-0805HQ-8N2	8.2	J, K	75	250/1000	0.075	1000	3.00	Gray
AISC-0805HQ-10N	10	J, K	80	250/1000	0.060	1600	3.00	None
AISC-0805HQ-12N	12	J, K	80	250/1000	0.045	1600	3.00	Orange
AISC-0805HQ-15N	15	G, J, K	80	250/1000	0.100	1200	2.80	None
AISC-0805HQ-16N	16	G, J, K	72	250/500	0.060	1500	2.95	Yellow
AISC-0805HQ-18N	18	G, J, K	75	250/500	0.060	1400	2.55	Green
AISC-0805HQ-20N	20	G, J, K	70	250/500	0.055	1400	2.05	Blue
AISC-0805HQ-22N	22	G, J, K	80	250/500	0.100	1200	2.00	None
AISC-0805HQ-27N	27	G, J, K	75	250/500	0.070	1300	2.00	Violet
AISC-0805HQ-30N	30	G, J, K	65	250/500	0.095	1200	1.95	Gray
AISC-0805HQ-39N	39	G, J, K	65	250/500	0.110	1100	1.60	White
AISC-0805HQ-48N	48	G, J, K	65	200/500	0.095	1200	1.40	None
AISC-0805HQ-51N	51	G, J, K	65	200/500	0.120	1000	1.40	Brown

Test Conditions

1. Inductance, Q: HP4286
2. SRF: HP4287
3. RDC: Micro-Ohm meter (Gom-801G)
4. Definition of Rated Current (I_r): The current applied to inductor such that the inductance change should be less than 10% to initial value.

HIGH Q CERAMIC WIRE WOUND INDUCTORS

AISC-0805HQ

 RoHS/RoHS II Compliant



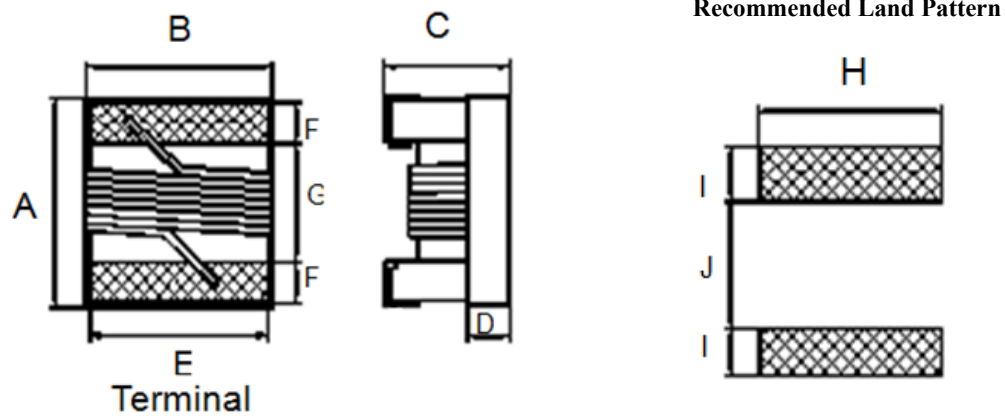
2.29 x 1.73 x 1.52mm

PART IDENTIFICATION:

AISC-0805HQ - -

Inductance Code	Tolerance Code	Packaging
Please refer to the Table	G: ±2%	T: 2kpcs/reel
	J: ±5%	
	K: ±10%	

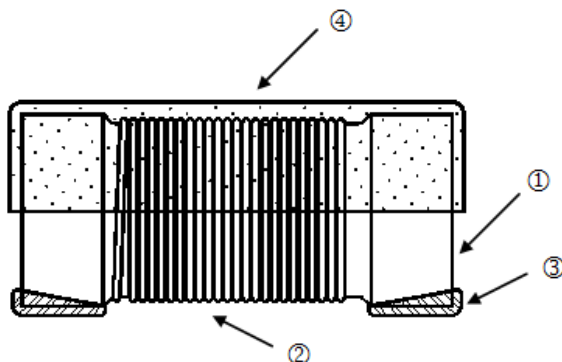
OUTLINE DIMENSIONS:



A max.	B max.	C max.	D Ref.	E	F	G	H	I	J
2.29	1.73	1.52	0.51	1.27	0.44	1.02	1.78	1.02	0.76

Dimension: mm

MATERIALS



Components	Material
1	Ceramic Core
2	Magnet wire
3	Electrode (Ag/Pd+Ni+Sn)
4	UV Glue

HIGH Q CERAMIC WIRE WOUND INDUCTORS

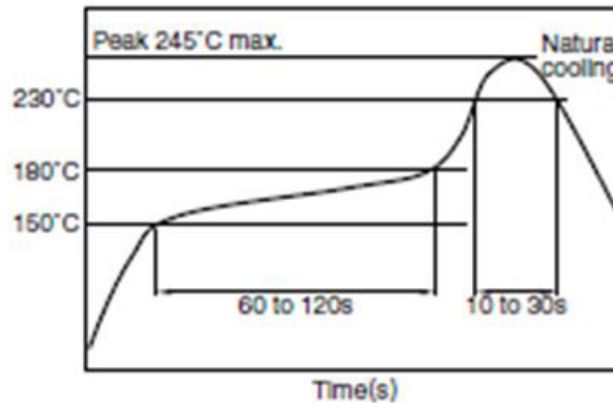
AISC-0805HQ

 RoHS/RoHS II Compliant



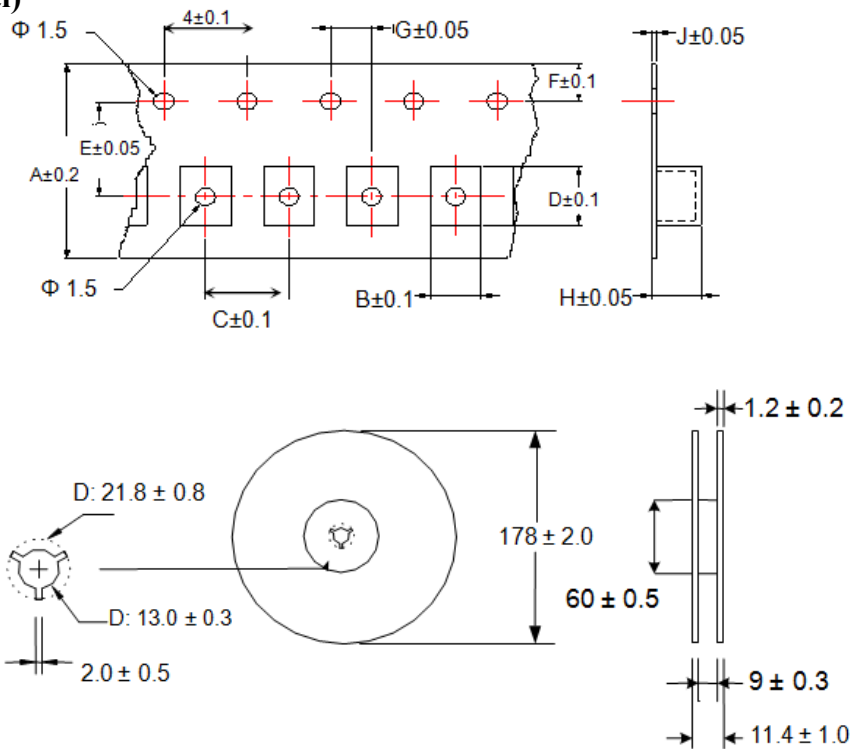
2.29 x 1.73 x 1.52mm

REFLOW PROFILE



TAPE & REEL:

T= tape and reel (2,000pcs/reel)



A	B	C	D	E	F	G	H	J
8	1.85	4	2.30	3.5	1.75	2	1.45	0.23

Storage period

Use the product within 12 months after delivered. Solderability should be checked if this period is exceeded.

Dimension: mm

ATTENTION: Abracon Corporation's products are COTS – Commercial-Off-The-Shelf products; suitable for Commercial, Industrial and, where designated, Automotive Applications. Abracon's products are not specifically designed for Military, Aviation, Aerospace, Life-dependant Medical applications or any application requiring high reliability where component failure could result in loss of life and/or property. For applications requiring high reliability and/or presenting an extreme operating environment, written consent and authorization from Abracon Corporation is required. Please contact Abracon Corporation for more information.

Looking for pricing, stock, or lifecycle information?

Click below to explore more details on WIN SOURCE:

- ⊖ [View AISC-0805HQ-27NJ-T on WIN SOURCE](#)
- ⊖ [Abracon LLC Information](#)

Optimize Your Supply Chain with WIN SOURCE Solutions

- ✓ Global Sourcing Solution
- ✓ Obsolete Management
- ✓ Cost Control Management
- ✓ Shortage Management
- ✓ Alternative Solution
- ✓ Excess Inventory Management