



**THE DATASHEET OF
AFPI100410HJW1S**



Overview

A family of feed-through filters using film capacitor technology to achieve good temperature stability. This series are particularly used where high levels of attenuation up to 1GHz are required. The units are housed in robust, sealed, metal containers of threaded construction, and offer a range of terminal finishes.

- Very high attenuation level throughout frequency spectrum
- Self-healing capacitors
- Wide choice of performance options
- Superior pulse current capability
- Excellent temperature stability
- Wire, fast-on or tag termination options

Applications

Specifically designed for military, industrial, telecom and medical applications, but especially suitable for use where fast rising transients are expected.



Technical Specifications

Item	Parameters/Characteristics
Rated Voltage	200 VDC
Rated Current	0.5 – 10 A
Rated Temperature	40°C
Temperature range	-25°C to 85°C
Climate Category	25/085/21
Voltage Test	300 VDC

Typical Electrical Schematic



Technical Specifications cont.

Part Number	C (nF)	Rated Current at 40°C (A)	Rated Voltage (VDC/VAC)	Voltage Test (VDC)	RDC (mΩ)
AFPI100410HP(1)1S	2x500	0.5	200/160	300	<700
AFPI100410HF(1)1S	2x500	1	200/160	300	<200
AFPI100410HG(1)1S	2x500	3	200/160	300	<50
AFPI100410HH(1)1S	2x500	5	200/160	300	<10
AFPI100410HJ(1)1S	2x500	10	200/160	300	<5

(1) Termination: W = Wire
T = Tag

Approvals

Standard	Certification Body	File Number
UL 1283, 5 th Edition	UL	E192374

Environmental Compliance

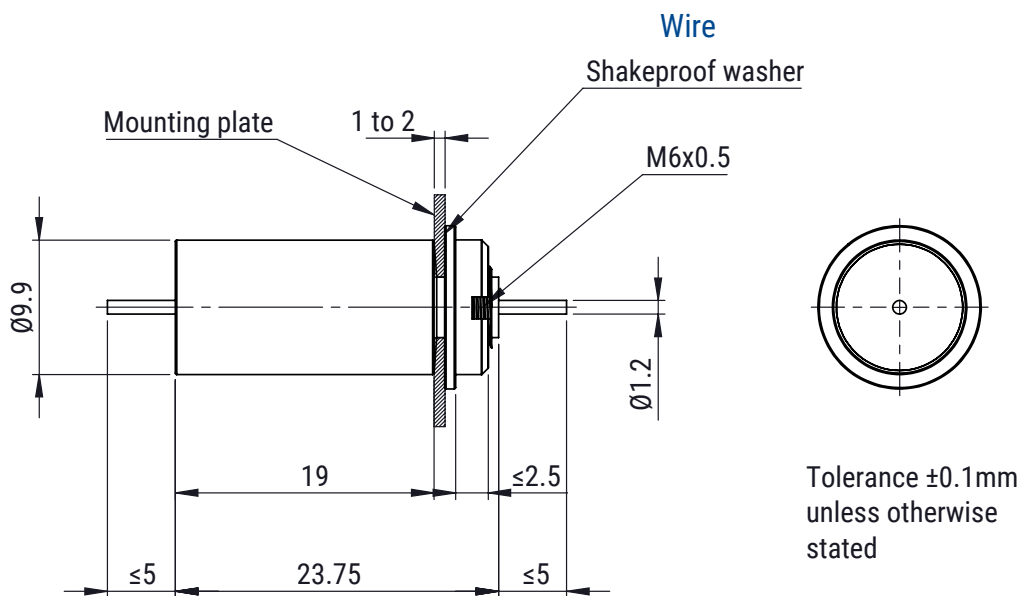
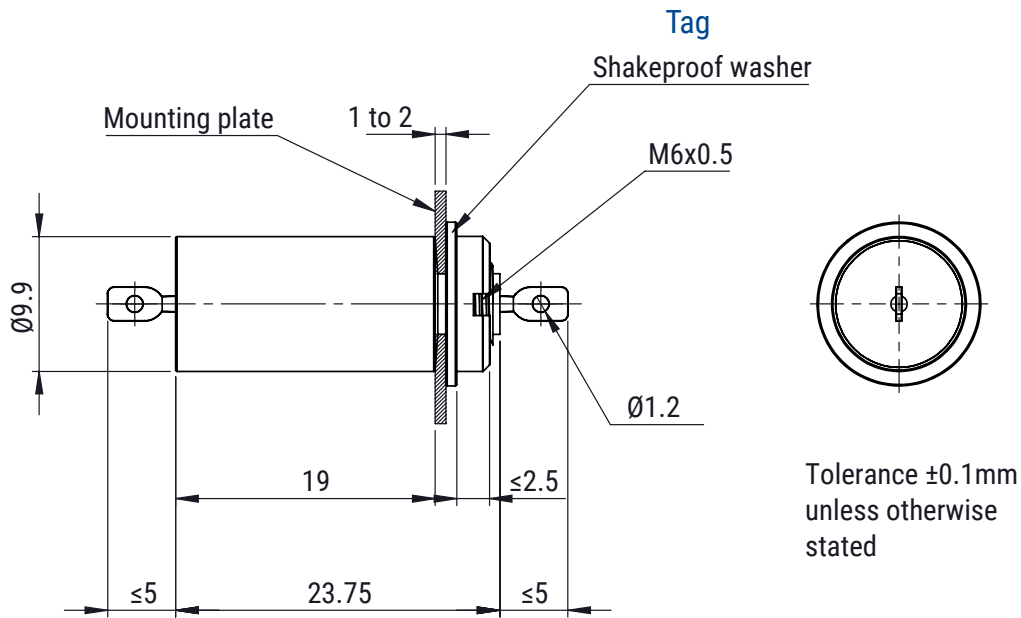
KEMET EMI filters are RoHS Compliant.



Typical Insertion Loss

Part Number	50 kHz (dB)	100 kHz (dB)	300 kHz (dB)	1 MHz (dB)	10 MHz (dB)	100 MHz (dB)
AFPI100410HP-1S	33	52	79	100	100	100
AFPI100410HF-1S	8	35	66	95	100	100
AFPI100410HG-1S	8	28	62	93	100	100
AFPI100410HH-1S	-	16	44	74	100	100
AFPI100410HJ-1S	-	18	29	57	100	100

Mechanical Dimensions – Millimeters



KEMET Electronics Corporation Sales Offices

For a complete list of our global sales offices, please visit www.kemet.com/sales.

Disclaimer

YAGEO Corporation and its affiliates do not recommend the use of commercial or automotive grade products for high reliability applications or manned space flight.

All product specifications, statements, information and data (collectively, the "Information") in this datasheet are subject to change. The customer is responsible for checking and verifying the extent to which the Information contained in this publication is applicable to an order at the time the order is placed. All Information given herein is believed to be accurate and reliable, but it is presented without guarantee, warranty, or responsibility of any kind, expressed or implied.

Statements of suitability for certain applications are based on KEMET Electronics Corporation's ("KEMET") knowledge of typical operating conditions for such applications, but are not intended to constitute – and KEMET specifically disclaims – any warranty concerning suitability for a specific customer application or use. The Information is intended for use only by customers who have the requisite experience and capability to determine the correct products for their application. Any technical advice inferred from this Information or otherwise provided by KEMET with reference to the use of KEMET's products is given gratis, and KEMET assumes no obligation or liability for the advice given or results obtained.

Although KEMET designs and manufactures its products to the most stringent quality and safety standards, given the current state of the art, isolated component failures may still occur. Accordingly, customer applications which require a high degree of reliability or safety should employ suitable designs or other safeguards (such as installation of protective circuitry or redundancies) in order to ensure that the failure of an electrical component does not result in a risk of personal injury or property damage.

Although all product-related warnings, cautions and notes must be observed, the customer should not assume that all safety measures are indicated or that other measures may not be required.

KEMET is a registered trademark of KEMET Electronics Corporation.

Looking for pricing, stock, or lifecycle information?

Click below to explore more details on WIN SOURCE:

 [View AFPI100410HJW1S on WIN SOURCE](#)

 [Kemet Information](#)

Optimize Your Supply Chain with WIN SOURCE Solutions

-  Global Sourcing Solution
-  Obsolete Management
-  Cost Control Management
-  Shortage Management
-  Alternative Solution
-  Excess Inventory Management