



**THE DATASHEET OF  
ABM11-24.000MHZ-12-B1U-T**



# CERAMICS SMD ULTRA MINIATURE QUARTZ CRYSTAL



ABM11

2.0 x 1.6 x 0.59mm

ABM11

RoHS/RoHS II Compliant

Moisture Sensitivity Level (MSL) – This product is Hermetically Sealed and not Moisture Sensitive - MSL = N/A: Not Applicable

## FEATURES:

- 2.0 x 1.6 x 0.59mm ultra miniature package.
- Suitable for RoHS compliant reflow.
- Seam sealed ceramic package with metal lid assures high precision and reliability.

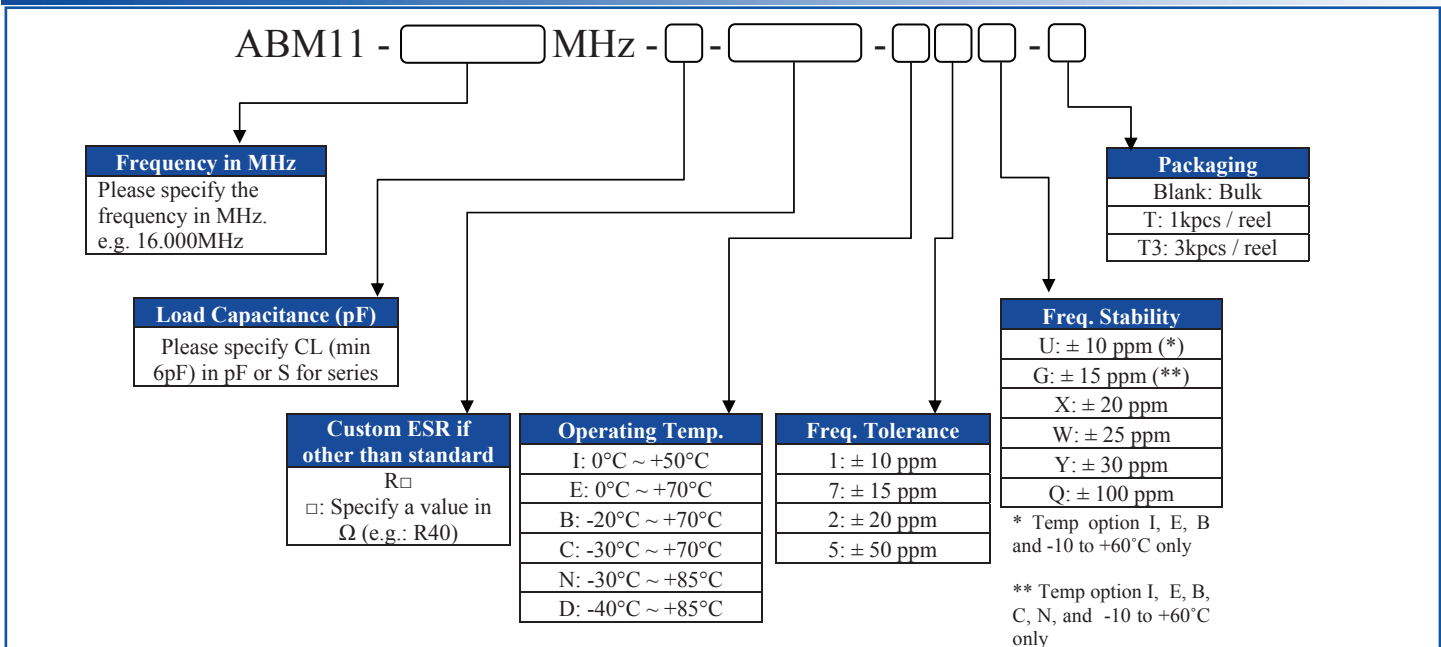
## APPLICATIONS:

- Cellular telephones, Pagers.
- Communication and Test equipment.
- High Density applications
- PCMCIA and wireless applications.

## STANDARD SPECIFICATIONS:

Parameters	Minimum	Typical	Maximum	Units	Notes
Frequency Range	16.000		50.000	MHz	
Operation Mode	Fundamental				
Operating Temperature	-10		+60	°C	See options
Storage Temperature	-40		+85	°C	
Frequency Tolerance @+25°C	-30		+30	ppm	See options
Frequency Stability over the Operating Temperature ( ref. to +25°C)	-50		+50	ppm	See options
Equivalent series resistance (R1)			150	Ω	16.000~17.999MHz
			120		18.000~20.999MHz
			100		21.000~29.999 MHz
			80		30.000~37.999 MHz
			60		38.000~50.000 MHz
Shunt capacitance (C0)			7.0	pF	
Load capacitance (CL)	10			pF	Standard (See options if other than STD)
Drive Level		10	100	μW	
Aging	-5		+5	ppm	@25°C±3°C First year
Insulation Resistance	500			MΩ	@ 100Vdc ± 15V

## OPTIONS AND PART IDENTIFICATION: (Left blank if standard)



# CERAMICS SMD ULTRA MINIATURE QUARTZ CRYSTAL

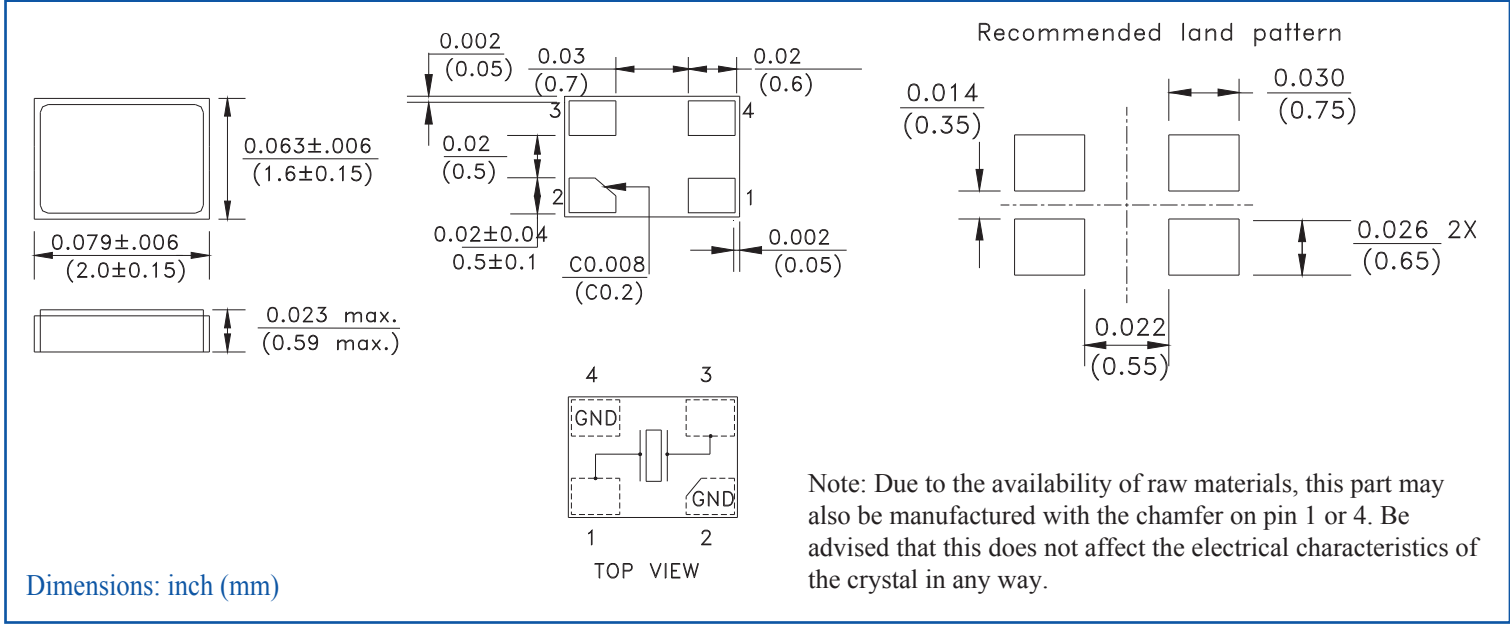


2.0 x 1.6 x 0.59mm

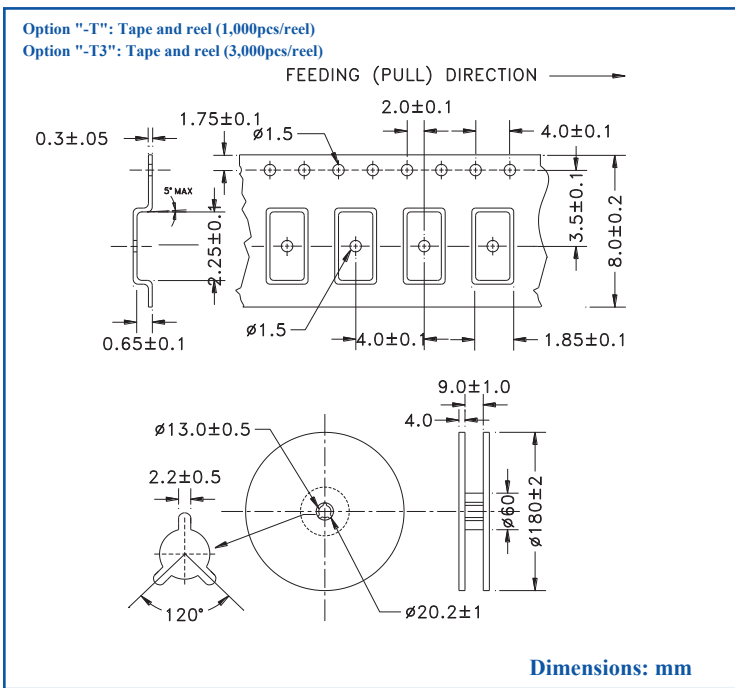
ABM11

RoHS/RoHS II Compliant

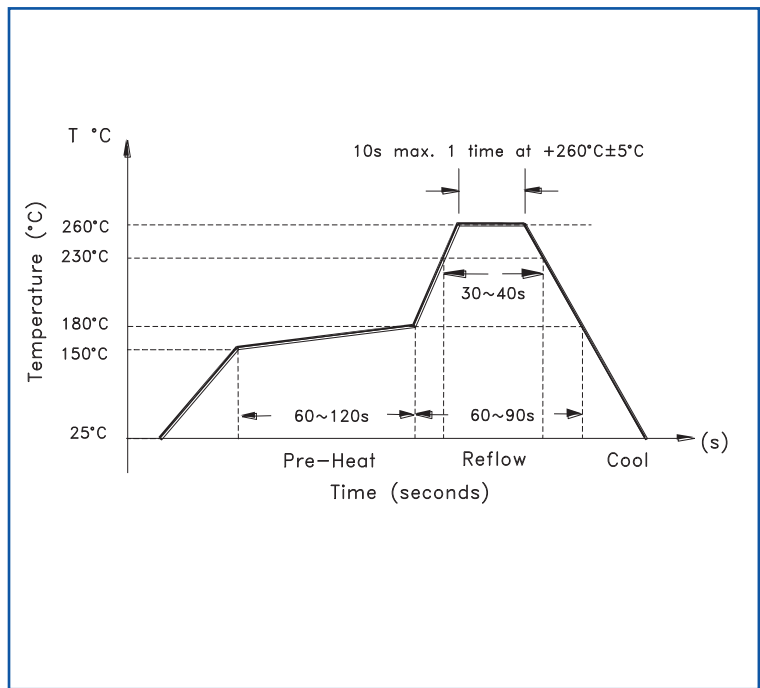
## OUTLINE DRAWING:



## TAPE & REEL:



## REFLOW PROFILE:



Need a test socket for the ABM11 Series? To view compatible **PRECISION TEST & BURN-IN SOCKETS** for these parts, [click here](#). P/N AXS-2016-04-04C

**ATTENTION:** Abracon Corporation's products are COTS – Commercial-Off-The-Shelf products; suitable for Commercial, Industrial and, where designated, Automotive Applications. Abracon's products are not specifically designed for Military, Aviation, Aerospace, Life-dependant Medical applications or any application requiring high reliability where component failure could result in loss of life and/or property. For applications requiring high reliability and/or presenting an extreme operating environment, written consent and authorization from Abracon Corporation is required. Please contact Abracon Corporation for more information.



ABRACON IS ISO 9001: 2008 CERTIFIED



2 Faraday, Suite# B | Irvine | CA 92618 Revised: 06.19.15  
Ph. 949.546.8000 | Fax. 949.546.8001  
Visit [www.abracon.com](http://www.abracon.com) for Terms and Conditions of Sale

## Looking for pricing, stock, or lifecycle information?

Click below to explore more details on WIN SOURCE:

-  [View ABM11-24.000MHZ-12-B1U-T on WIN SOURCE](#)
-  [Abracon LLC Information](#)

## Optimize Your Supply Chain with WIN SOURCE Solutions

-  Global Sourcing Solution
-  Obsolete Management
-  Cost Control Management
-  Shortage Management
-  Alternative Solution
-  Excess Inventory Management