



**THE DATASHEET OF
AB308-10.000MHZ**



HIGH FREQUENCY CYLINDRICAL TYPE MICROPROCESSOR CRYSTAL

AB308

 RoHS/RoHS II Compliant

8.0 x Ø3.0mm

AB308

FEATURES:

- High stability by tight vacuum sealing
- Miniature high frequency cylinder type crystal

APPLICATIONS:

- Suitable for wide range of application
- Clocks for microprocessor
- Consumer electronics
- Test equipment
- Computer peripherals

STANDARD SPECIFICATIONS:

Parameters	Minimum	Typical	Maximum	Units	Notes
Frequency Range*	4.000		40.000	MHz	Fundamental
	40.001		70.000		3 rd Overtone
Operation Mode	Fundamental or 3 rd Overtone				
Operating Temperature	-10		+60	°C	See options
Storage Temperature	-40		+85	°C	
Frequency Tolerance @+25°C	-30		+30	ppm	See options
Frequency Stability over the Operating Temperature (ref. to +25°C)	-50		+50	ppm	
Equivalent series resistance (R1)			150	Ω	4.000 – 5.999MHz Fundamental
			80		6.000 – 9.999MHz Fundamental
			60		10.000 – 10.999MHz Fundamental
			50		11.000 – 19.999 MHz Fundamental
			40		20.000 –29.999 MHz Fundamental
			30		30.000 –40.000 MHz Fundamental
			80		40.001 – 70.000 MHz 3 rd OT
Shunt capacitance (C0)			5	pF	
Load capacitance (CL)	16			pF	See options
Drive Level			100	μW	
Aging@25°C±3°C	-5		+5	ppm	First year
Insulation Resistance	500			M Ω	@ 100Vdc ± 15V

* Please contact Abracon for the availability of frequency>30MHz.

HIGH FREQUENCY CYLINDRICAL TYPE MICROPROCESSOR CRYSTAL

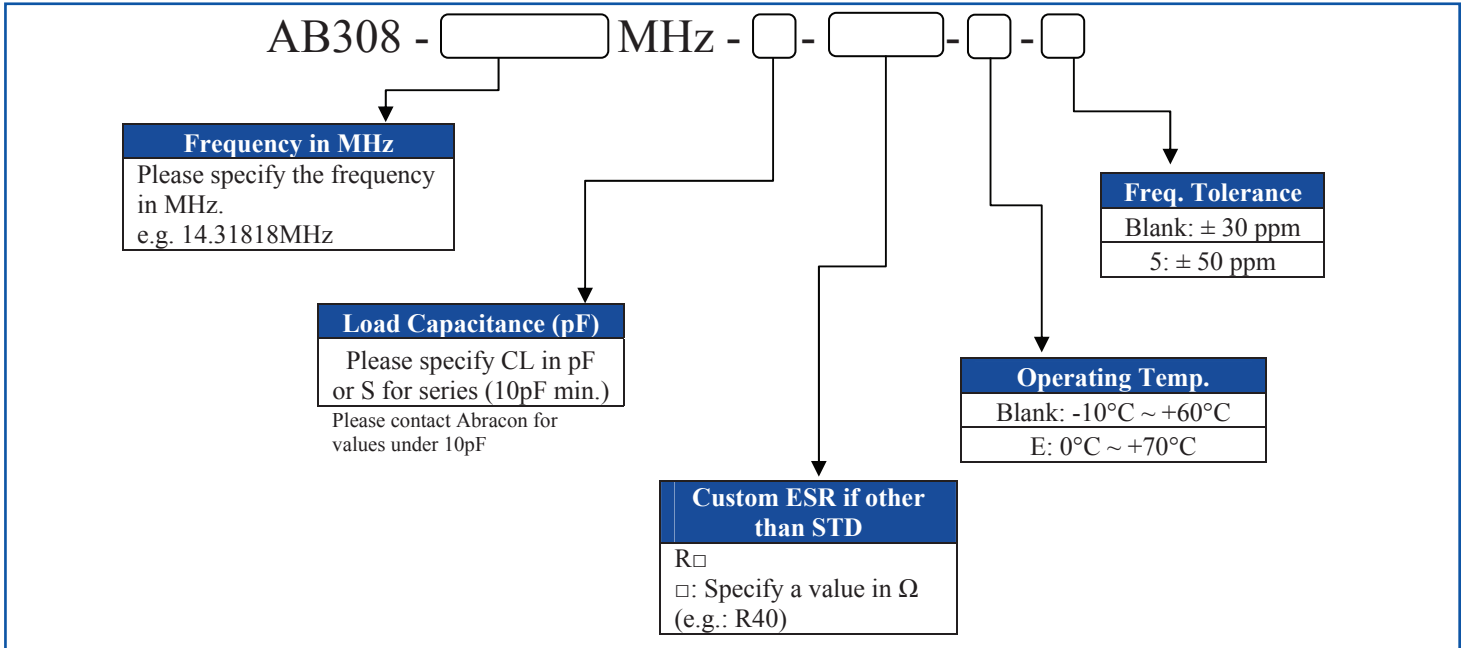


8.0 x Ø3.0mm

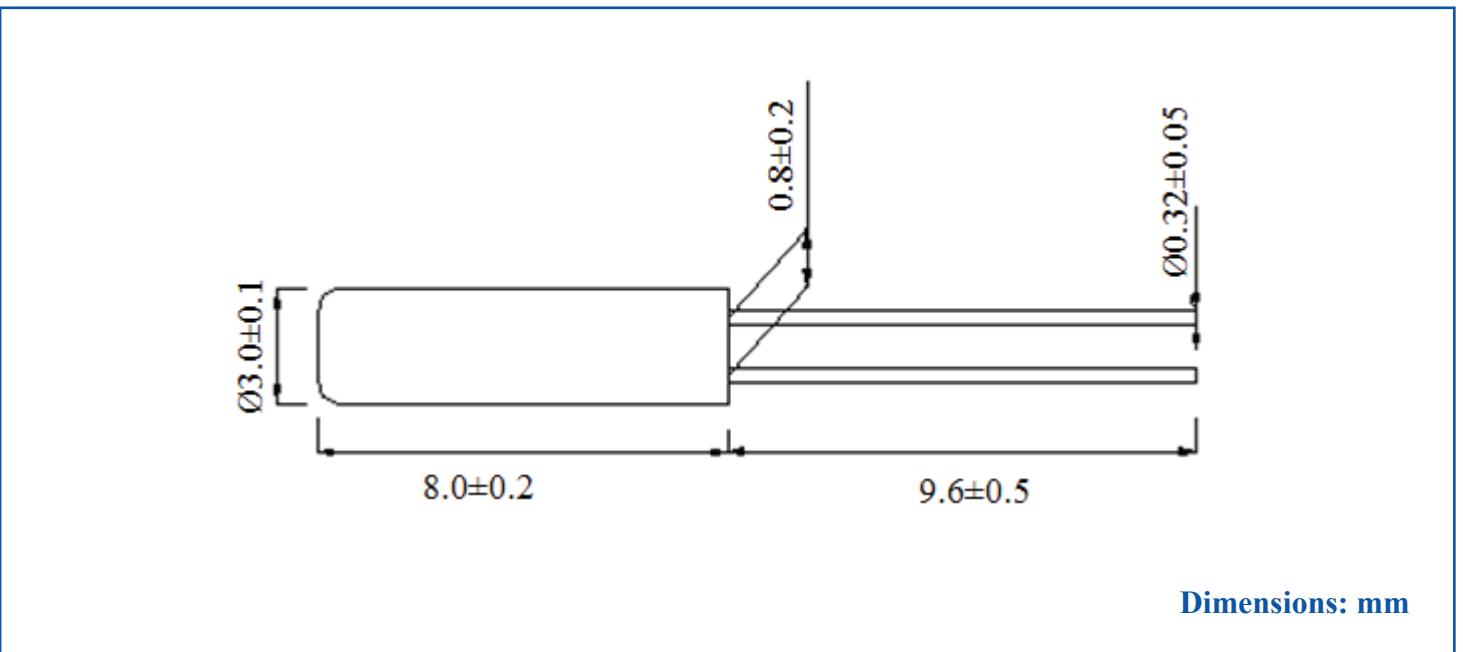
AB308

RoHS/RoHS II Compliant

OPTIONS AND PART IDENTIFICATION: (Left blank if standard)



OUTLINE DRAWING:



Packaging = Bulk, 1000pcs/bag

ATTENTION: Abracon Corporation's products are COTS – Commercial-Off-The-Shelf products; suitable for Commercial, Industrial and, where designated, Automotive Applications. Abracon's products are not specifically designed for Military, Aviation, Aerospace, Life-dependant Medical applications or any application requiring high reliability where component failure could result in loss of life and/or property. For applications requiring high reliability and/or presenting an extreme operating environment, written consent and authorization from Abracon Corporation is required. Please contact Abracon Corporation for more information.

ABRACON IS
ISO9001:2008
CERTIFIED



2 Faraday, Suite# B | Irvine | CA 92618 **Revised: 12.22.15**
Ph. 949.546.8000 | Fax. 949.546.8001
Visit www.abracon.com for Terms and Conditions of Sale

Looking for pricing, stock, or lifecycle information?

Click below to explore more details on WIN SOURCE:

 [View AB308-10.000MHZ on WIN SOURCE](#)

 [Abracon LLC Information](#)

Optimize Your Supply Chain with WIN SOURCE Solutions

-  Global Sourcing Solution
-  Obsolete Management
-  Cost Control Management
-  Shortage Management
-  Alternative Solution
-  Excess Inventory Management